



US00D941764S

(12) **United States Design Patent**  
**Liao**

(10) **Patent No.:** **US D941,764 S**  
(45) **Date of Patent:** **\*\* Jan. 25, 2022**

(54) **POWER ADAPTER**  
(71) Applicant: **GUANGDONG GOPOD GROUP HOLDING CO., LTD.**, Shenzhen (CN)  
(72) Inventor: **Zhuowen Liao**, Shenzhen (CN)  
(73) Assignee: **Guangdong Gopod Group Holding Co., Ltd.**, Shenzhen (CN)

D769,185 S \* 10/2016 Lee ..... D13/108  
D819,566 S \* 6/2018 Hung ..... D13/110  
D872,017 S \* 1/2020 Huang ..... D13/110  
(Continued)

(\*\*) Term: **15 Years**  
(21) Appl. No.: **29/729,967**  
(22) Filed: **Mar. 31, 2020**  
(30) **Foreign Application Priority Data**

**FOREIGN PATENT DOCUMENTS**

CN 305920373 \* 7/2020  
CN 305920374 \* 7/2020  
(Continued)

Mar. 9, 2020 (CN) ..... 202030076133.3

(51) **LOC (13) Cl.** ..... **13-02**  
(52) **U.S. Cl.**  
USPC ..... **D13/110**  
(58) **Field of Classification Search**  
USPC ..... D13/110, 137.2, 133, 139.8, 153, 103,  
D13/199, 107, 139.4, 139.5, 118, 108,  
D13/102, 119, 137.1, 137.3, 137.4, 138.1,  
D13/138.2, 139.1, 139.2, 139.3, 139.6,  
D13/139.7, 152, 162, 164, 184; D14/432,  
D14/433, 434, 372  
CPC ..... H02J 7/0027; H02J 7/02; H01R 13/20;  
H01R 13/26; H01R 25/00; H01R 25/003;  
H01R 13/6675  
See application file for complete search history.

**OTHER PUBLICATIONS**

“Portable Power Expansion Hub for Apple USB-C Power Adapter—4 Ports (3 USB-A, 1 USB-C 45W)”, first accessed Sep. 13, 2021. TrippLite.com [https://www.tripplite.com/portable-power-expansion-hub-for-apple-usb-c-power-adapter-4-ports-3-usb-a-1-usb-c-45w~u280a04a3c1] (Year: 2021).\*  
(Continued)

*Primary Examiner* — Rosemary K Tarcza  
*Assistant Examiner* — Seth David Kumpf  
(74) *Attorney, Agent, or Firm* — Wolf, Greenfield & Sacks, P.C.

(56) **References Cited**

**U.S. PATENT DOCUMENTS**

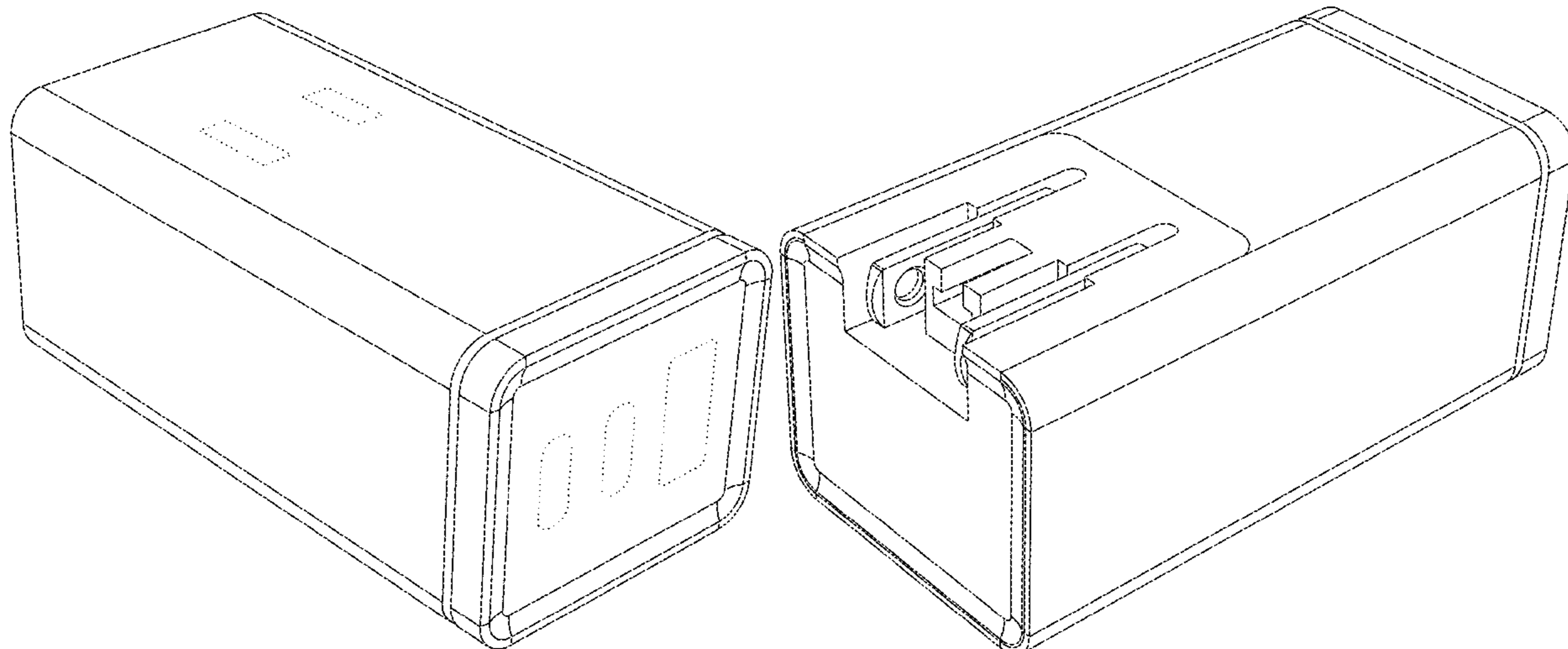
D673,909 S \* 1/2013 Zaslavsky ..... D13/110  
D680,070 S \* 4/2013 Zaslavsky ..... D13/110  
D693,299 S \* 11/2013 Zaslavsky ..... D13/110  
D726,654 S \* 4/2015 Jung ..... D13/137.2

(57) **CLAIM**  
The ornamental design for a power adapter, as shown and described.

**DESCRIPTION**

FIG. 1 is a first perspective view of a power adapter; FIG. 2 is a second perspective view thereof; FIG. 3 is a front view thereof; FIG. 4 is a rear view thereof; FIG. 5 is a left side view thereof; FIG. 6 is a right side view thereof; FIG. 7 is a top view thereof; FIG. 8 is a bottom view thereof; and, FIG. 9 is a perspective view thereof, shown in a state of use. The broken lines in the figures depict portions of the power adapter that form no part of the claimed design.

**1 Claim, 9 Drawing Sheets**



(56)

**References Cited**

U.S. PATENT DOCUMENTS

D879,044 S \* 3/2020 Fan ..... D13/137.2  
D901,383 S \* 11/2020 Pang ..... D13/110  
2014/0308853 A1\* 10/2014 Colahan ..... H01R 13/6675  
439/628

FOREIGN PATENT DOCUMENTS

CN 306241979 \* 12/2020  
JP D1670671 \* 10/2020  
JP D1670738 \* 10/2020  
JP D1671480 \* 11/2020

OTHER PUBLICATIONS

“USB C Charger Block, Deegotech iPhone 12 Charger, Dual Port Foldable PD Fast Charger Compatible with iPhone 13/iPhone 13 Pro max/iPhone 12/iPhone 12 Pro max/11/11Pro Max/X Watch Galaxy S10”, first available Nov. 9, 2020. Amazon.com [https://www.amazon.com/Charger-Adapter-Charging-Foldable-Compatibe/dp/B08GY5FQGY/ref=sr\_1\_15\_sspa?dchild=1&keywords=Power+Adapte%E2%80%A6] (Year: 2020).\*

\* cited by examiner

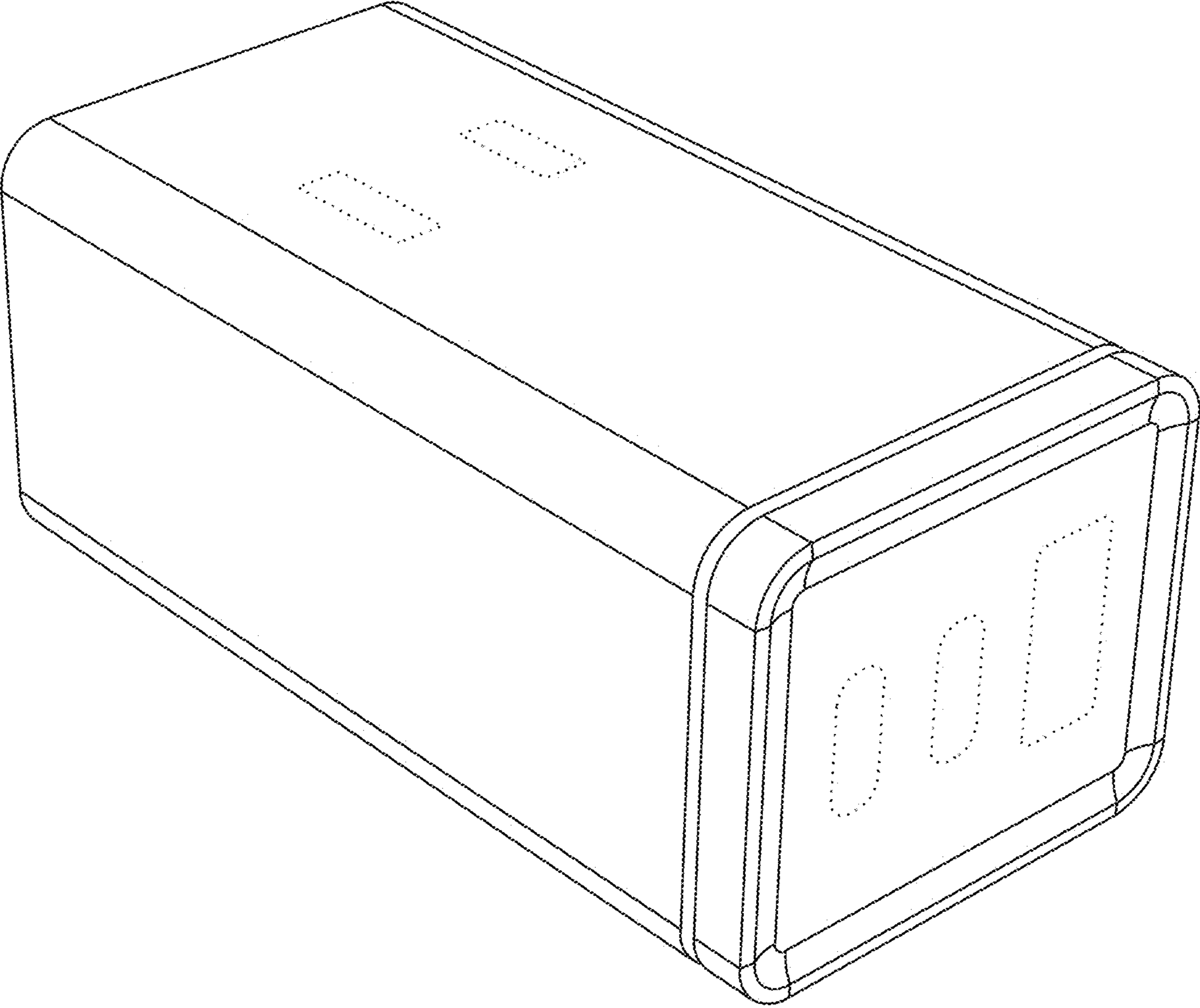


FIG. 1

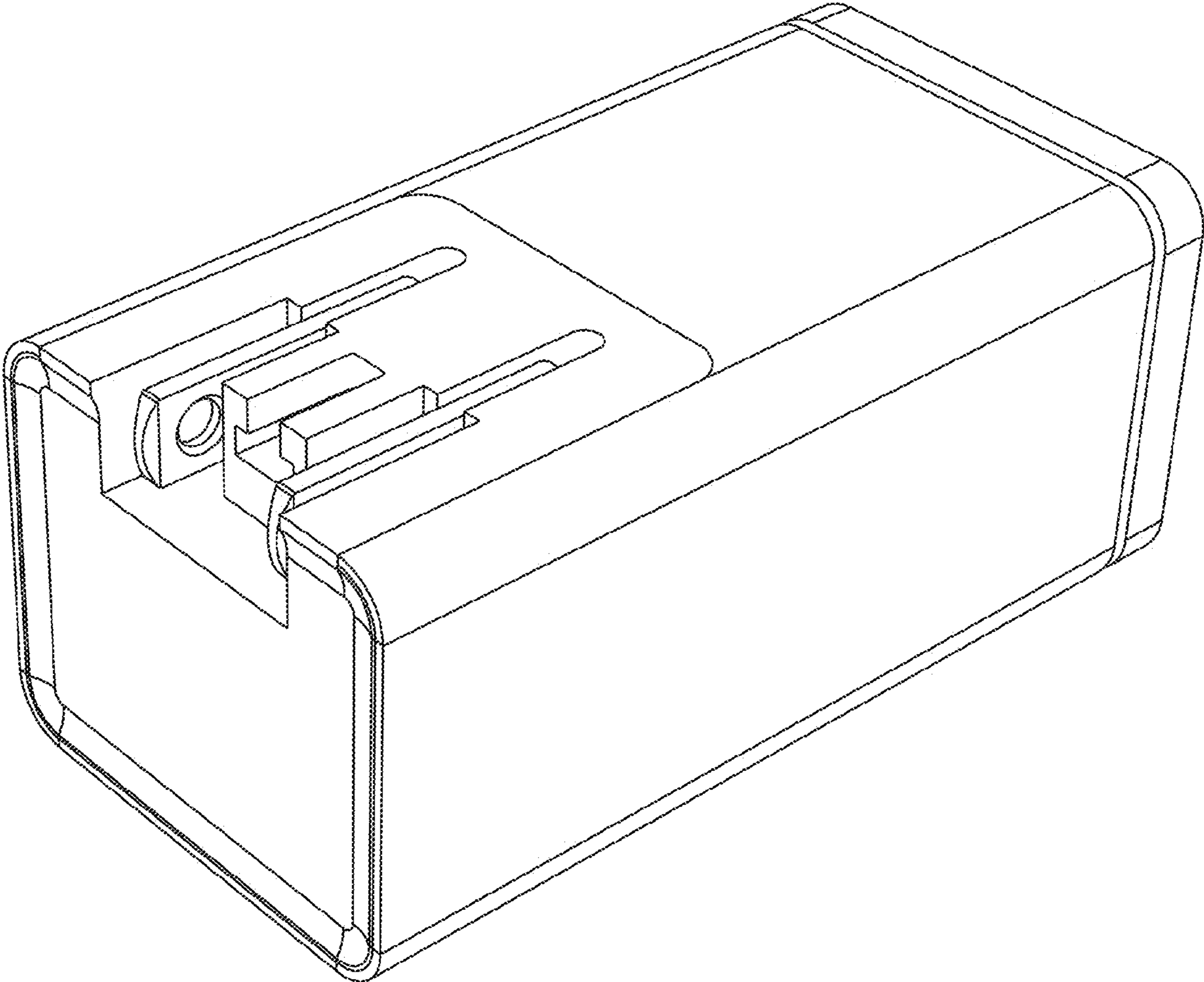


FIG. 2

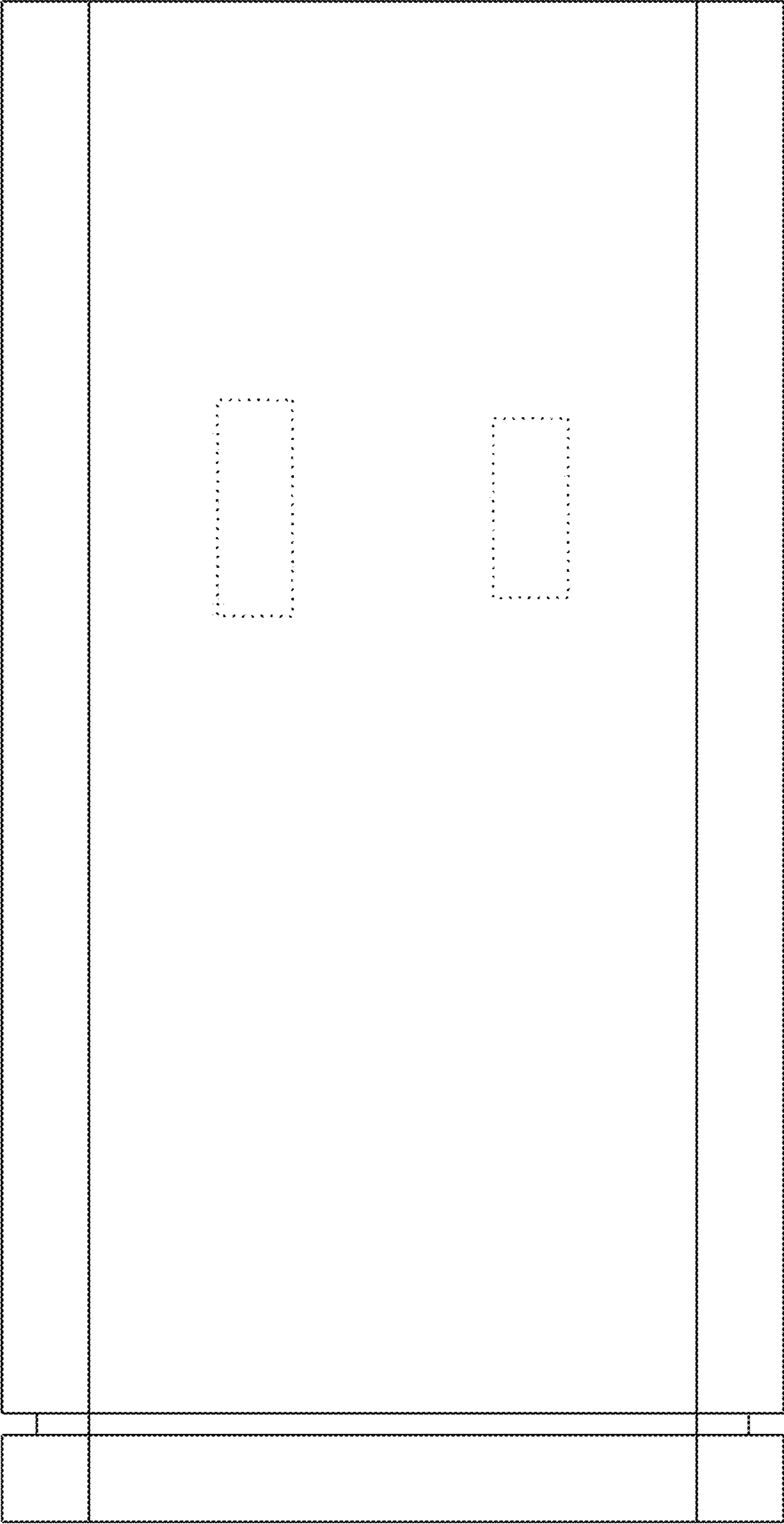


FIG. 3

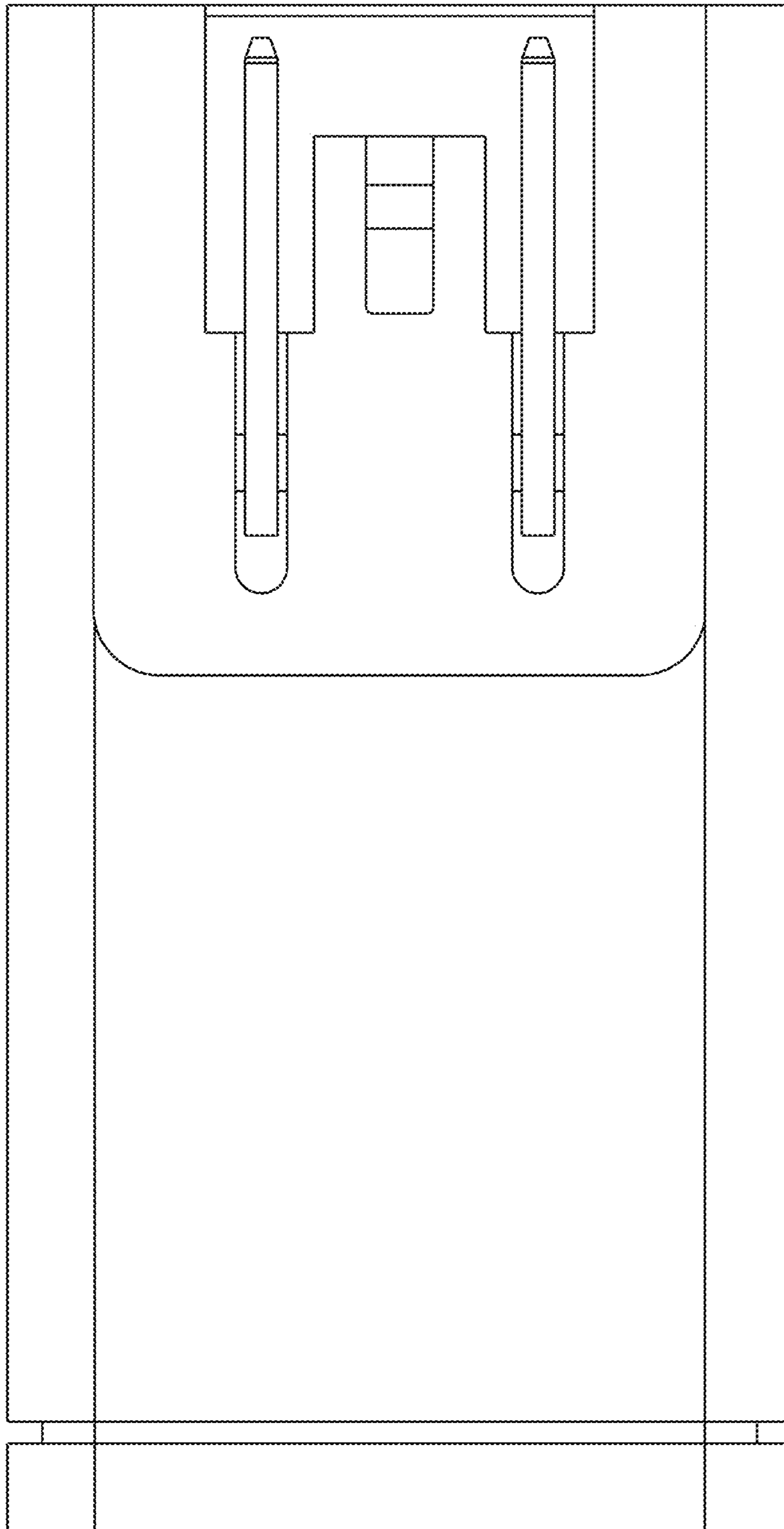


FIG. 4

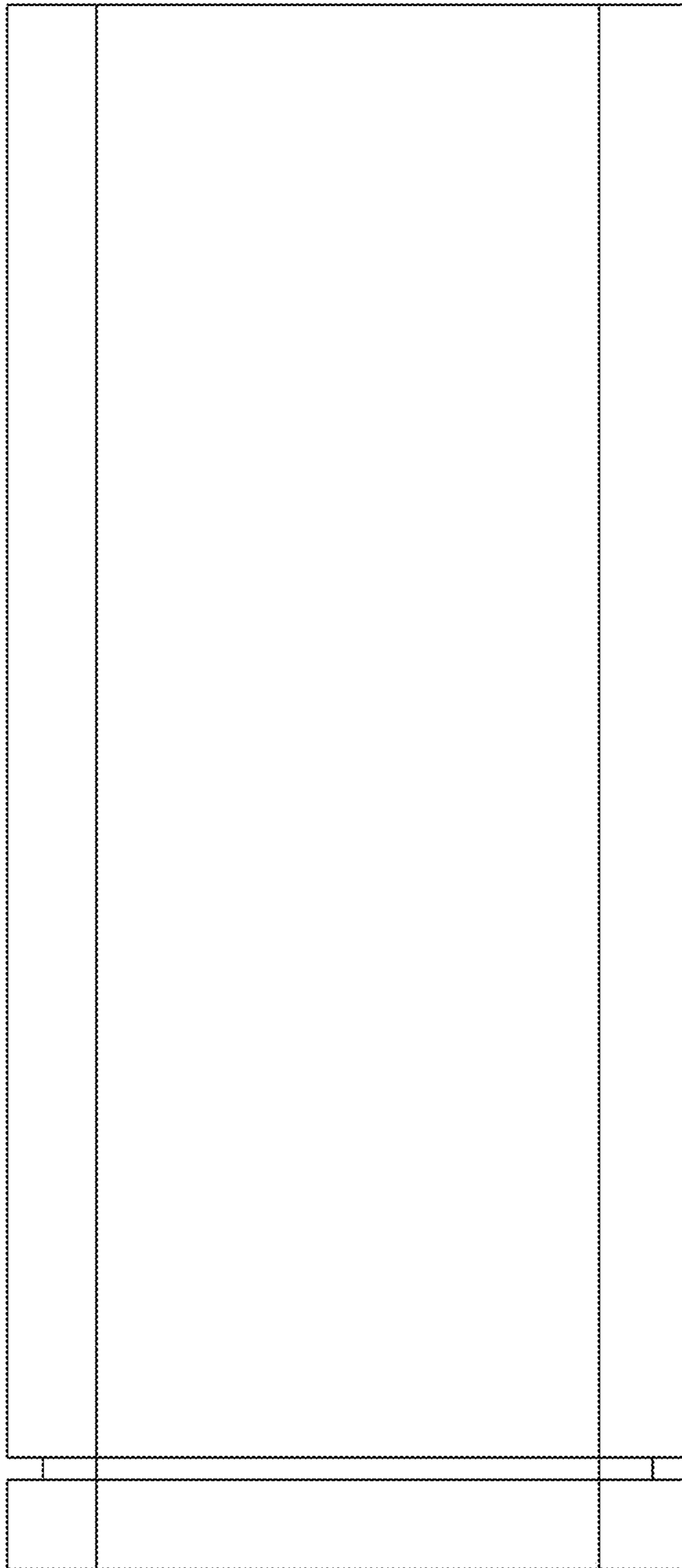


FIG. 5

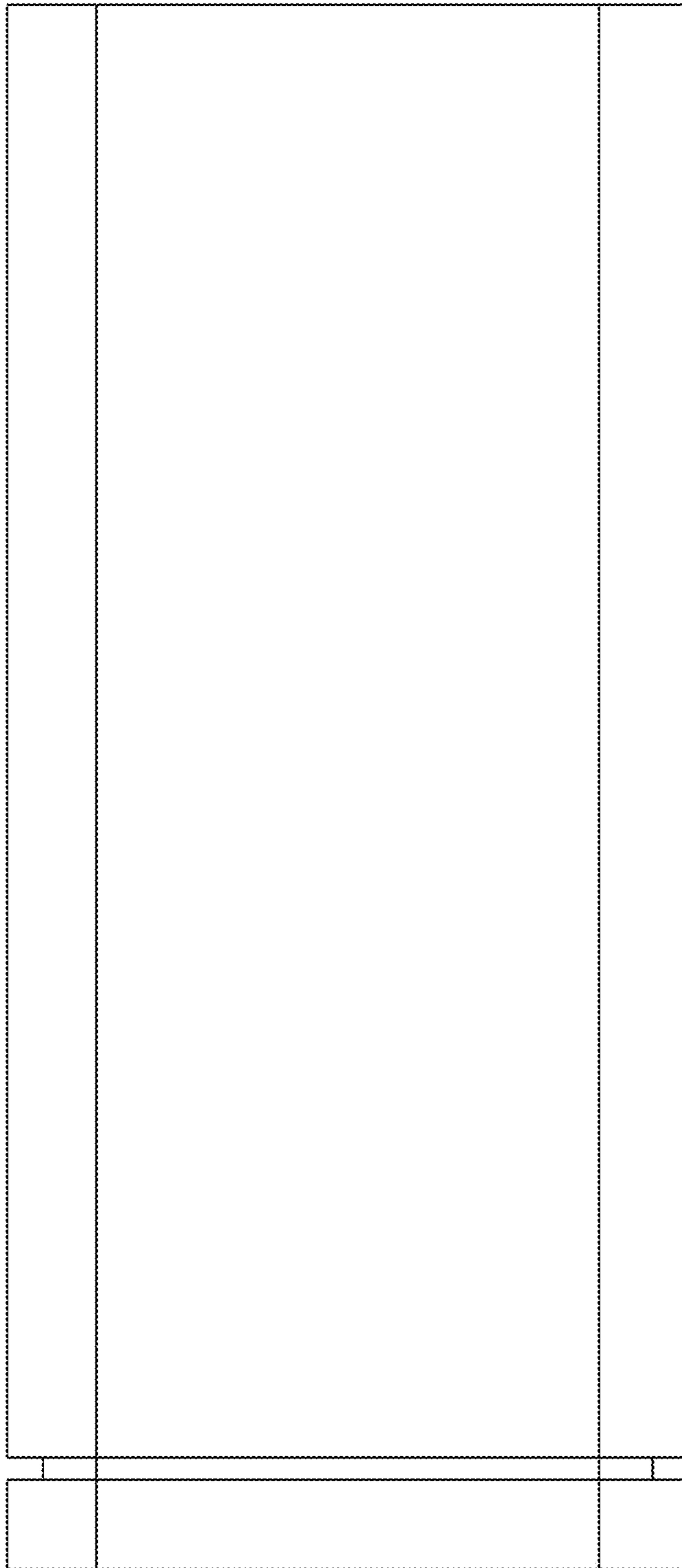


FIG. 6



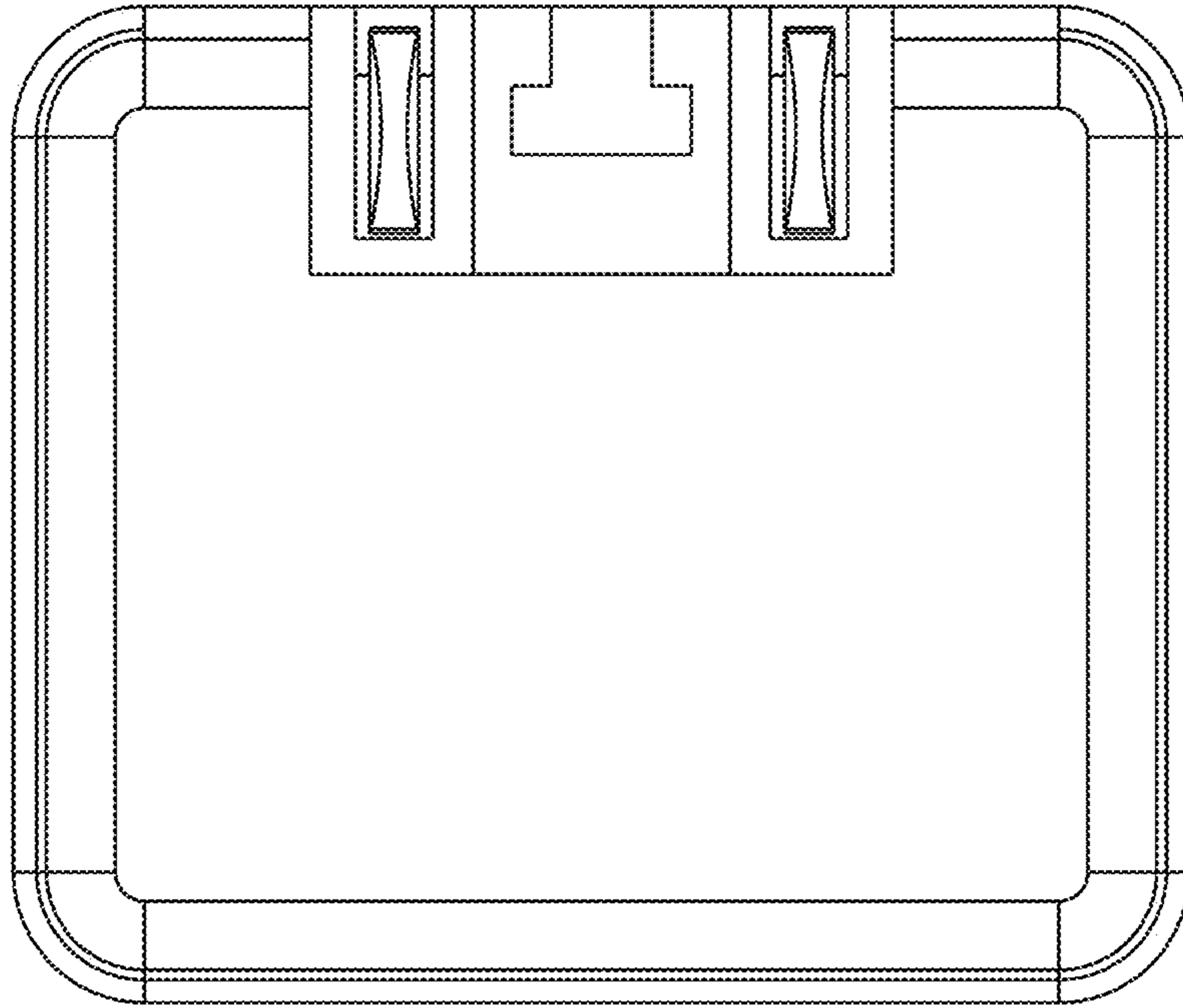


FIG. 7

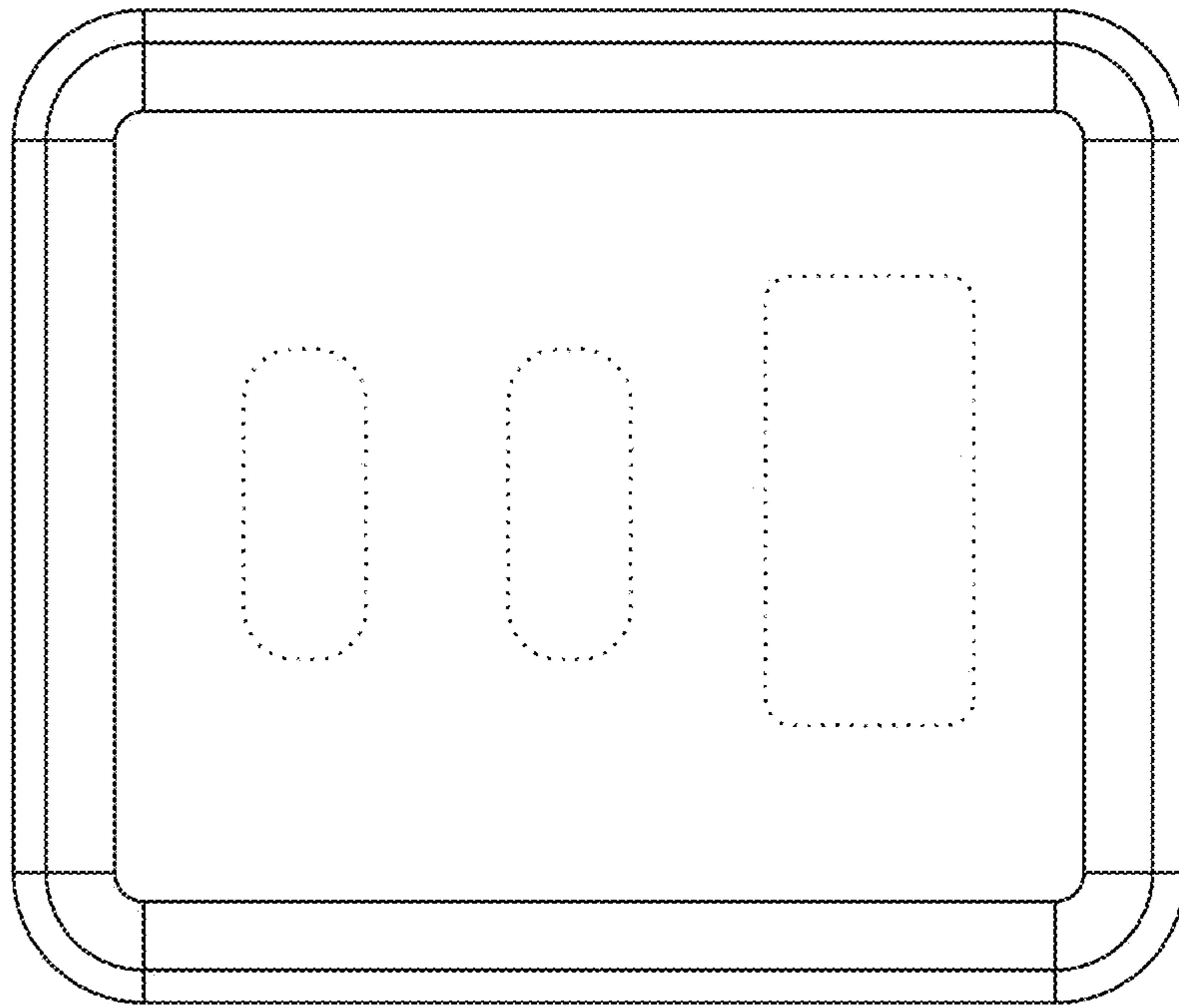


FIG. 8

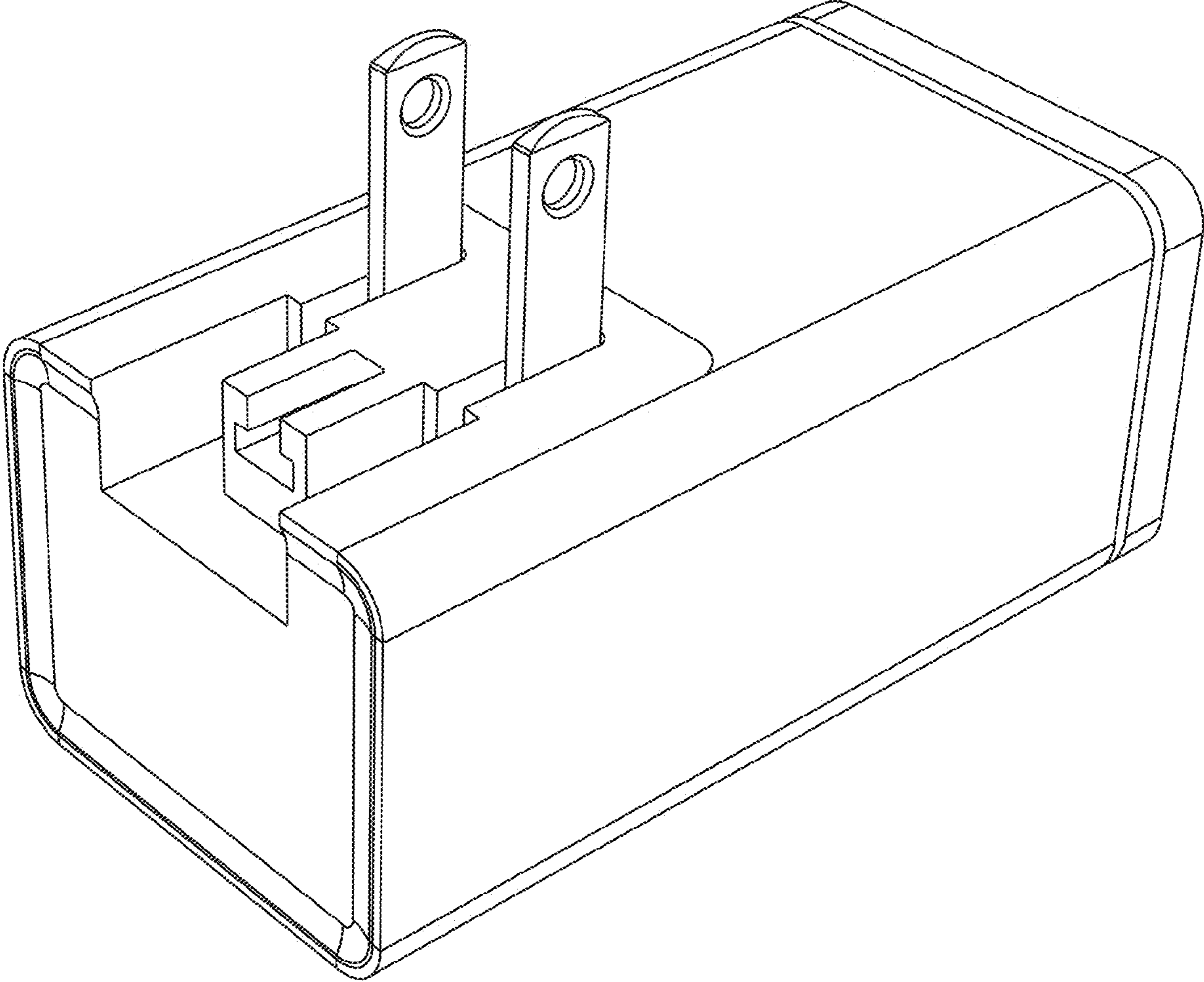


FIG. 9