



US00D941763S

(12) **United States Design Patent**
Pena et al.

(10) **Patent No.:** **US D941,763 S**
(45) **Date of Patent:** **** Jan. 25, 2022**

(54) **WIRELESS CHARGING STATION**

(71) Applicant: **Six to Six Technologies, LLC**, Apex, NC (US)

(72) Inventors: **Michael Lucero Pena**, Apex, NC (US);
Iuliu Cosmin Gordea, Holly Springs, NC (US)

(73) Assignee: **Six to Six Technologies, LLC**, Apex, NC (US)

(**) Term: **15 Years**

(21) Appl. No.: **29/739,715**

(22) Filed: **Jun. 29, 2020**

(51) **LOC (13) Cl.** **13-02**

(52) **U.S. Cl.**
USPC **D13/108; D14/434**

(58) **Field of Classification Search**
USPC D13/103, 107, 108, 118, 119, 153, 184;
D14/142, 149, 209.1, 251, 432, 433, 434,
D14/435.1

CPC H02J 7/0044; H02J 50/00; H02J 7/02
See application file for complete search history.

(56) **References Cited**

U.S. PATENT DOCUMENTS

D647,502 S	*	10/2011	Holzer	D14/171
D693,814 S	*	11/2013	Park	D14/434
D701,831 S	*	4/2014	Park	D13/108
D776,052 S	*	1/2017	Nommensen	D13/107
D777,103 S	*	1/2017	Park	D13/108
D797,668 S	*	9/2017	Park	D13/108
D841,578 S	*	2/2019	Kim	D13/108
D844,009 S	*	3/2019	Kim	D14/434
D861,599 S	*	10/2019	Choi	D13/108
D875,675 S	*	2/2020	Zhang	D13/108

2014/0268542	A1*	9/2014	Moon	G06F 1/1632 361/679.41
2015/0162767	A1*	6/2015	Oh	G06F 1/1632 320/108
2020/0383235	A1*	12/2020	Yu	H02J 7/0044

OTHER PUBLICATIONS

“Samsung Fast Charge Wireless Charging Stand”. Found online Aug. 11, 2021 at youtube.com. Reference dated Mar. 23, 2016. Retrieved from <https://www.youtube.com/watch?v=L-ngVp5NQr8>. (Year: 2016).*

(Continued)

Primary Examiner — Kendra Leslie Hamilton

Assistant Examiner — Amanda Christensen

(74) *Attorney, Agent, or Firm* — Stanek Lemon Crouse & Meeks, P.A.

(57) **CLAIM**

The ornamental design for a wireless charging station, as shown and described.

DESCRIPTION

FIG. 1 is a top, front, left side perspective view of a wireless charging station showing our design.

FIG. 2 is a front view thereof.

FIG. 3 is a back view thereof.

FIG. 4 is a right side view thereof.

FIG. 5 is a left side view thereof.

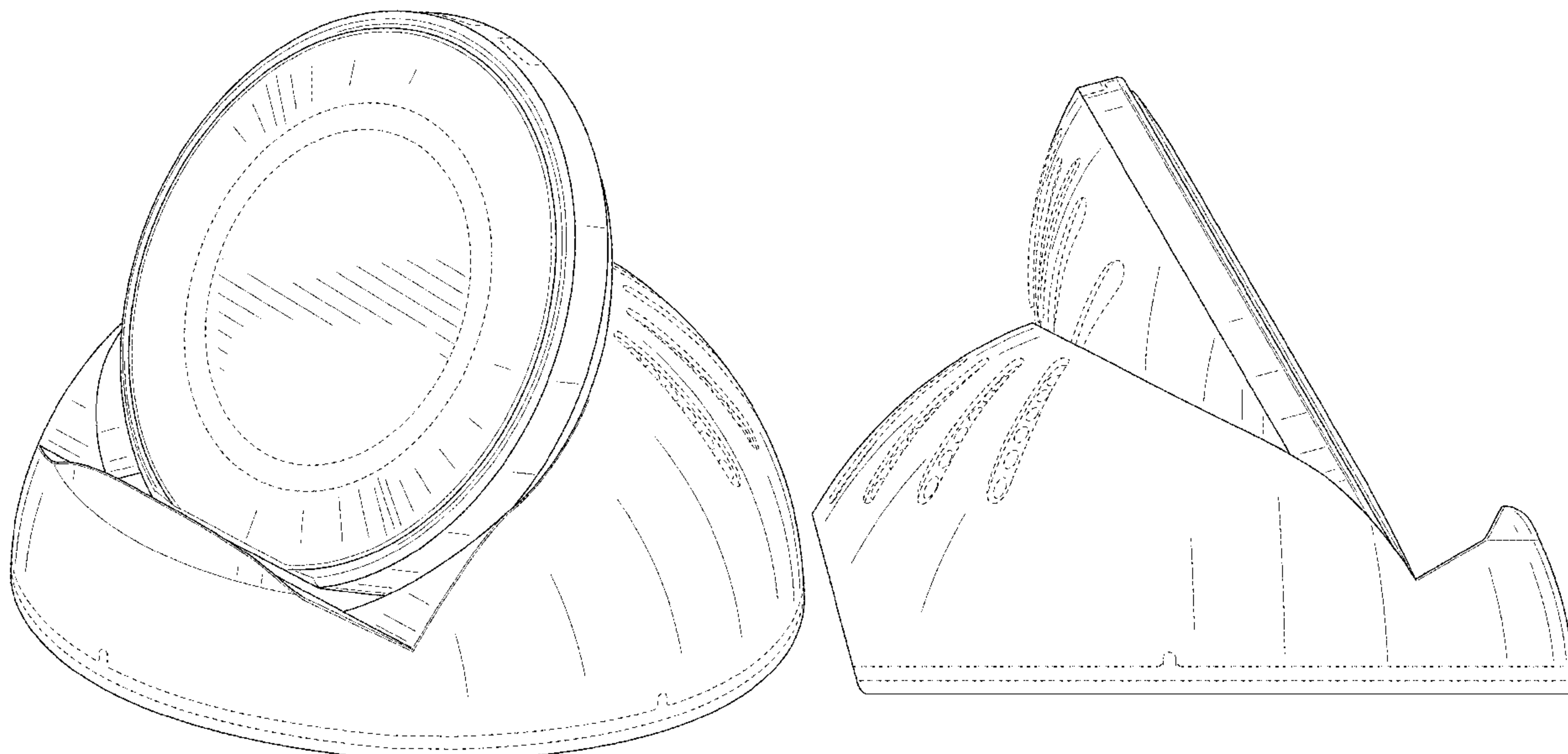
FIG. 6 is a top view thereof.

FIG. 7 is a bottom view thereof; and,

FIG. 8 is a top, front, left side perspective view of the wireless charging station of FIG. 1, shown in a condition of use.

The broken lines in the drawings depict portions of the wireless charging station that form no part of the claimed design. The broken lines showing a mobile phone in FIG. 8 depict environmental subject matter and form no part of the claimed design.

1 Claim, 8 Drawing Sheets



(56)

References Cited

OTHER PUBLICATIONS

“Samsung DeX Station”. Found online Aug. 12, 2021 at theregister.com. Reference dated May 15, 2017. Retrieved from https://www.theregister.com/2017/05/15/samsung_dex_deep_dive/. (Year: 2017).*

“Ugreen Stand”. Found online Apr. 30, 2020 at ifworlddesignguide.com. Reference dated 2018. Retrieved from <https://ifworlddesignguide.com/entry/256007-lp169-apple-watch-stand>. (Year: 2018).*

Anker, PowerWave Stand, Publicly available as of May 15, 2020, 7 pages.

Azpen Innovation—DockAll D100—Qi Wireless Charging Sound Hub, Publicly available as of May 15, 2020, 5 pages.

Azpen Innovators, Wireless Charging, Publicly available as of May 15, 2020, 6 pages.

Cozzoo, You First Bluetooth Speaker, Publicly available as of May 15, 2020, 4 pages.

DinointheboX, Qi Fast Wireless Charger with Bluetooth Speaker Charging Stand, Publicly available as of May 15, 2020, 3 pages.

Harman International Industries, JBL Smartbase Wireless, Publicly available as of May 15, 2020, 3 pages.

iHome Bluetooth Dual Alarm Clock in Gunmetal with Qi Wireless Charging, Publicly available as of May 15, 2020, 2 pages.

Qianbaiyi/Hopkog, LED Smart Alarm Clock Time Temperature Display Wireless Charger Charging Pad Dock, Publicly available as of May 15, 2020, 11 pages.

Samsung, Wireless Charger Pad 9W, Publicly available as of May 15, 2020, 11 pages.

Samsung, Fast Charge Wireless Charging Stand, Publicly available as of May 15, 2020, 16 pages.

* cited by examiner

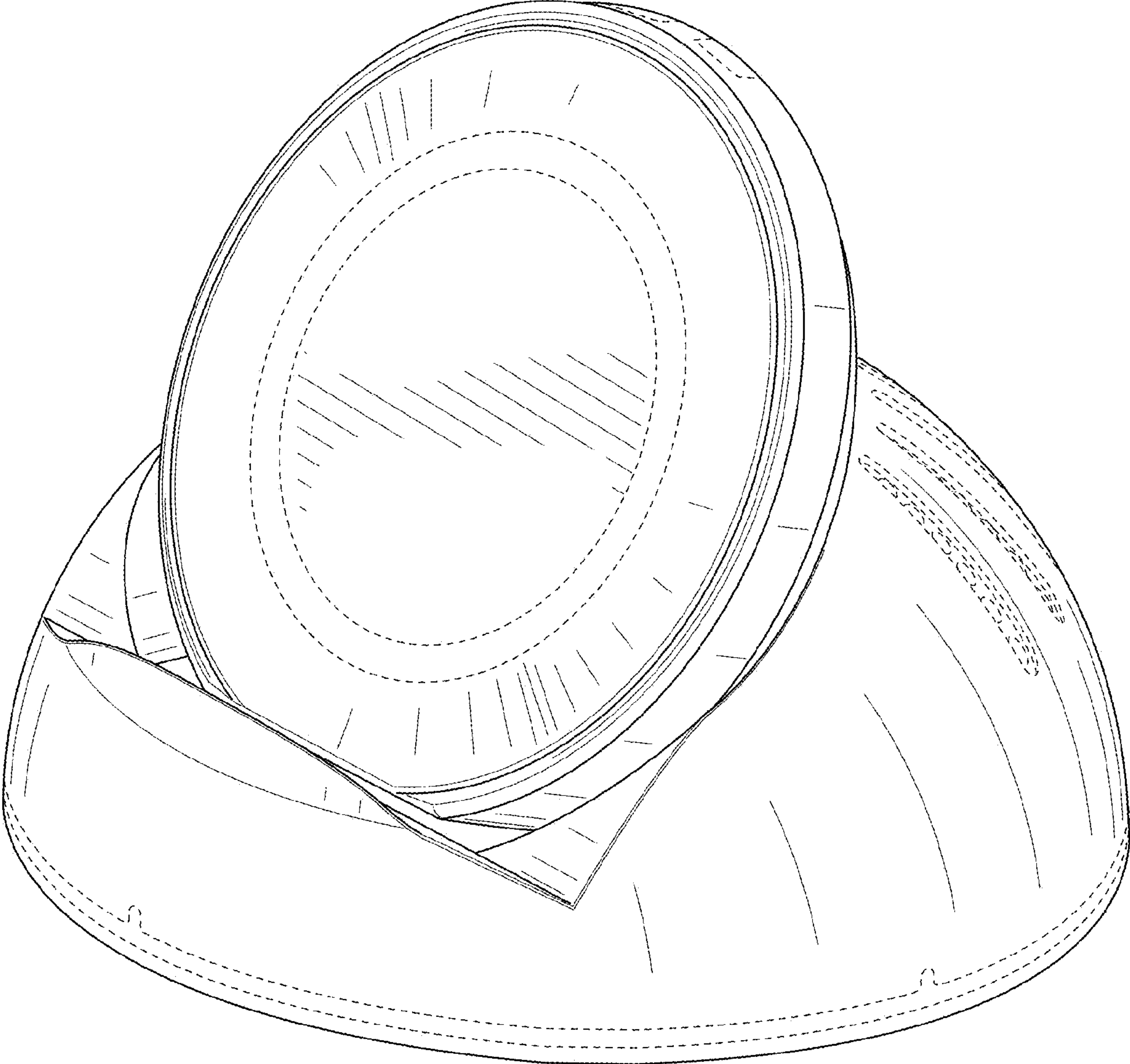


FIG. 1

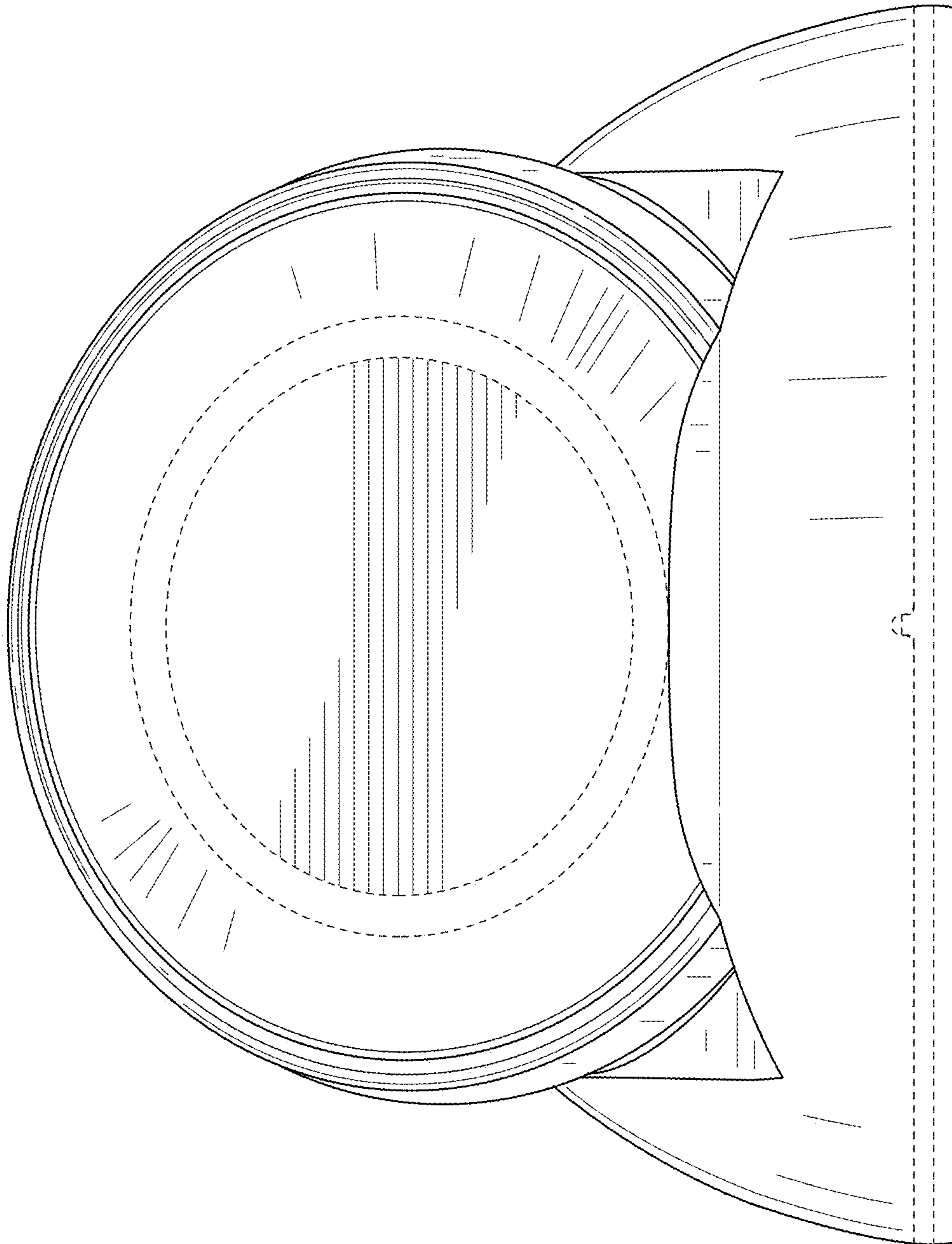


FIG. 2

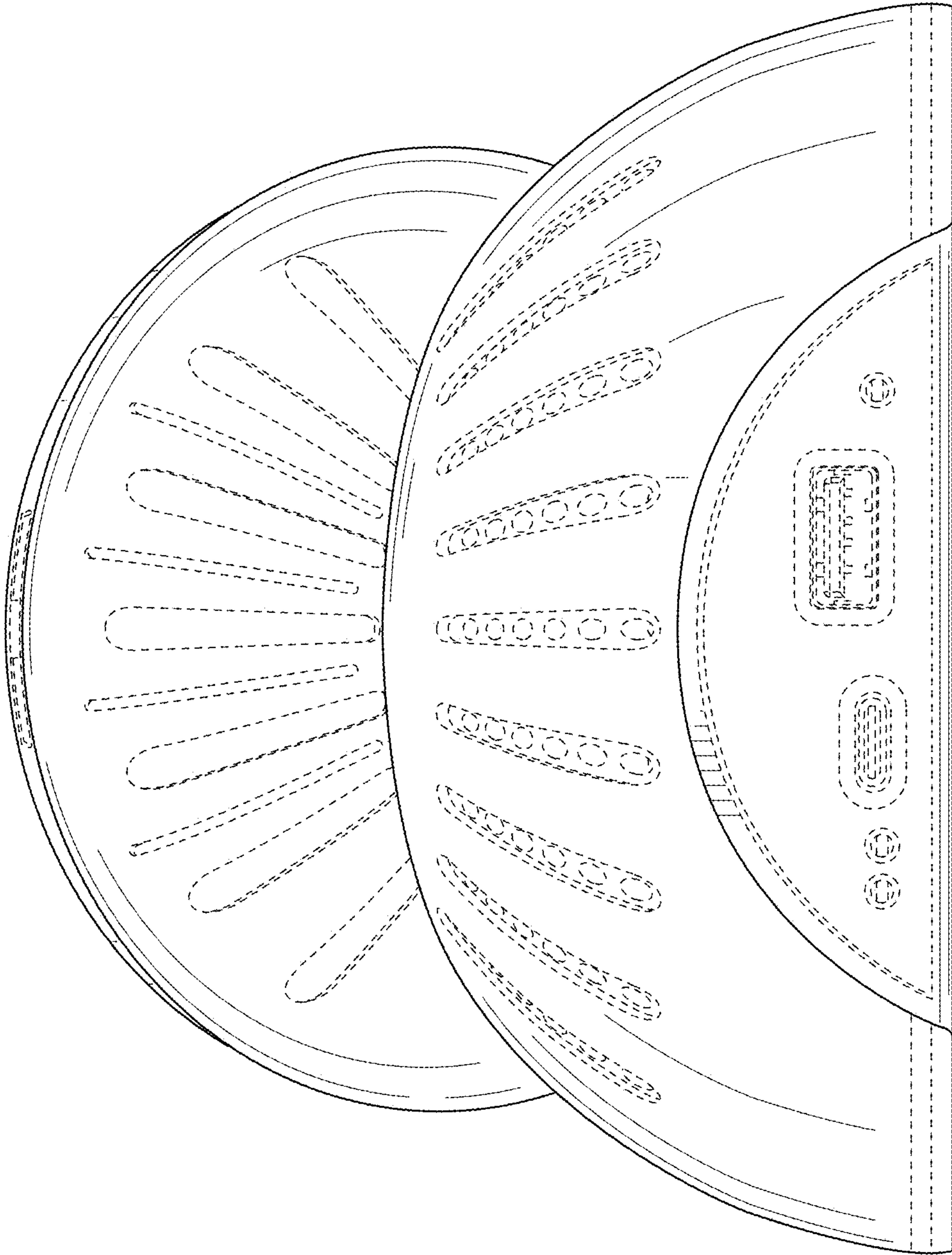


FIG. 3

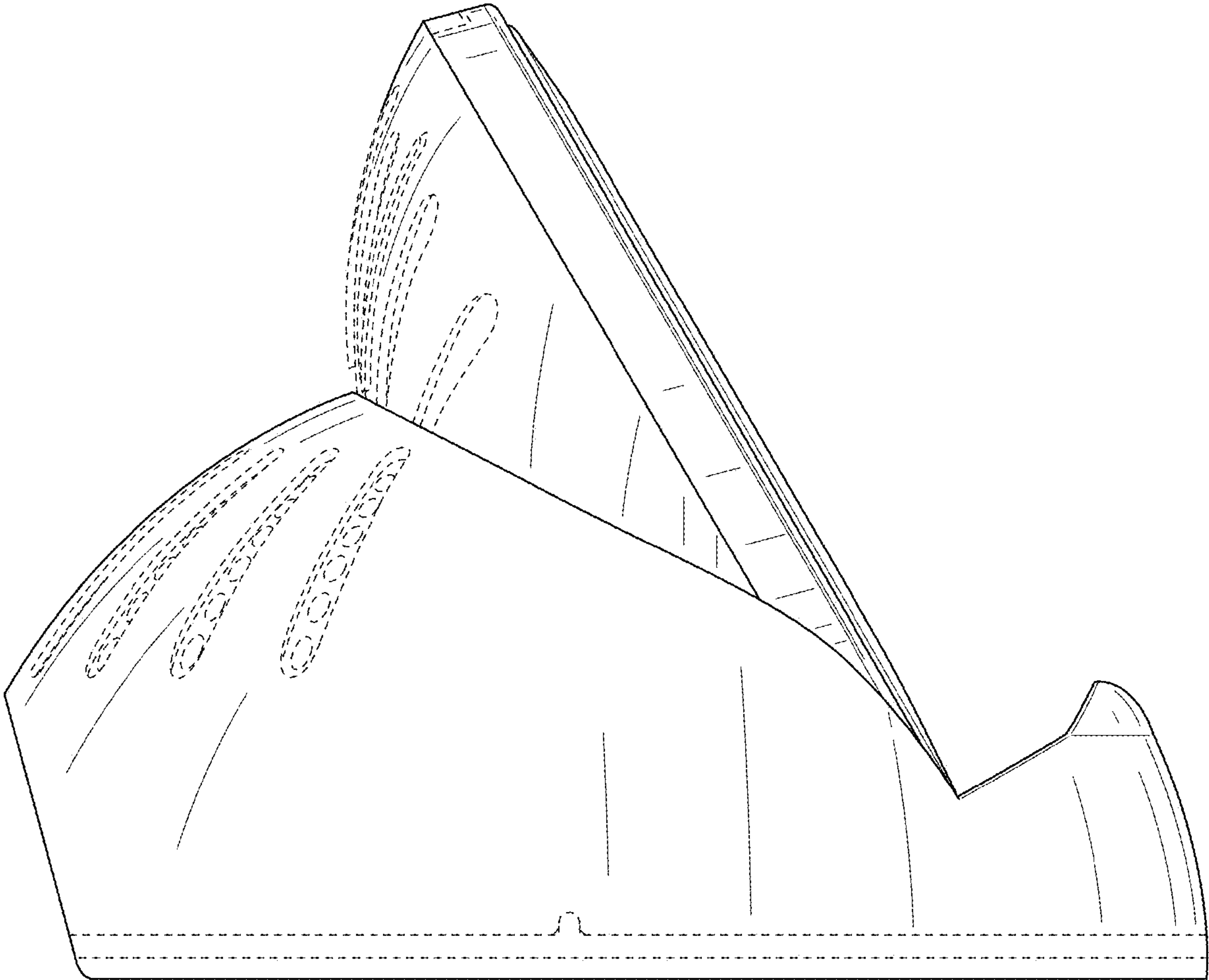


FIG. 4

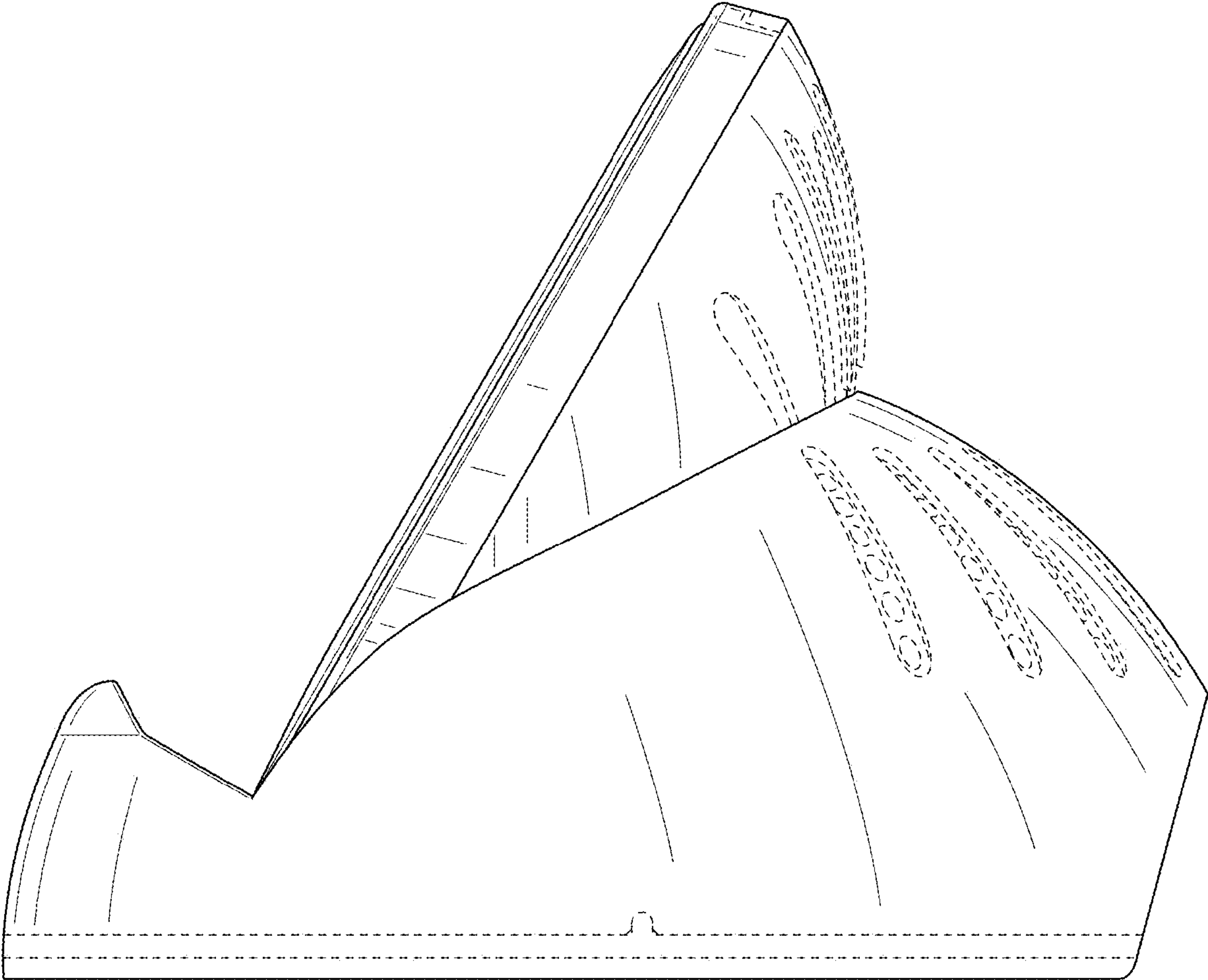


FIG. 5

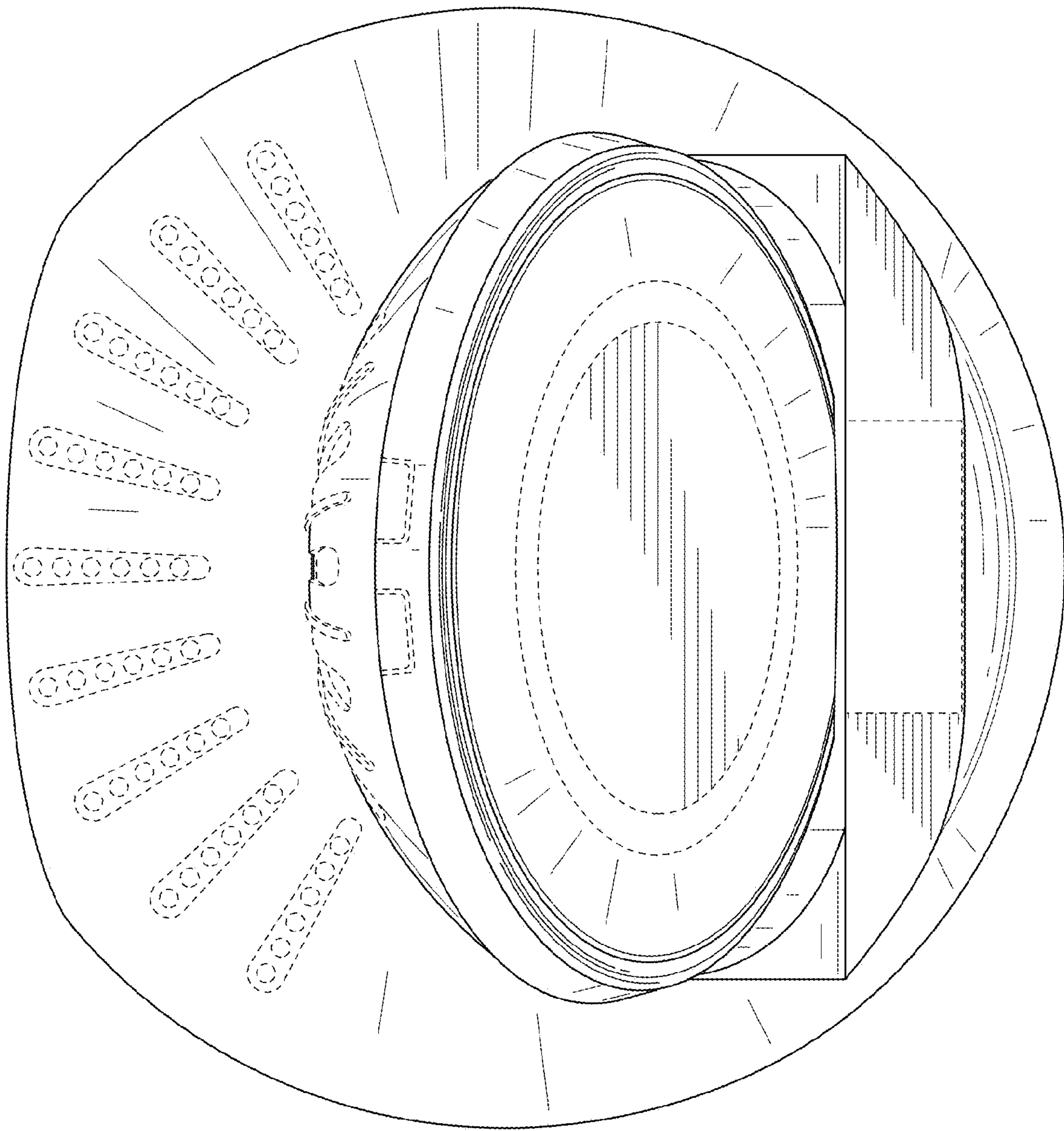


FIG. 6

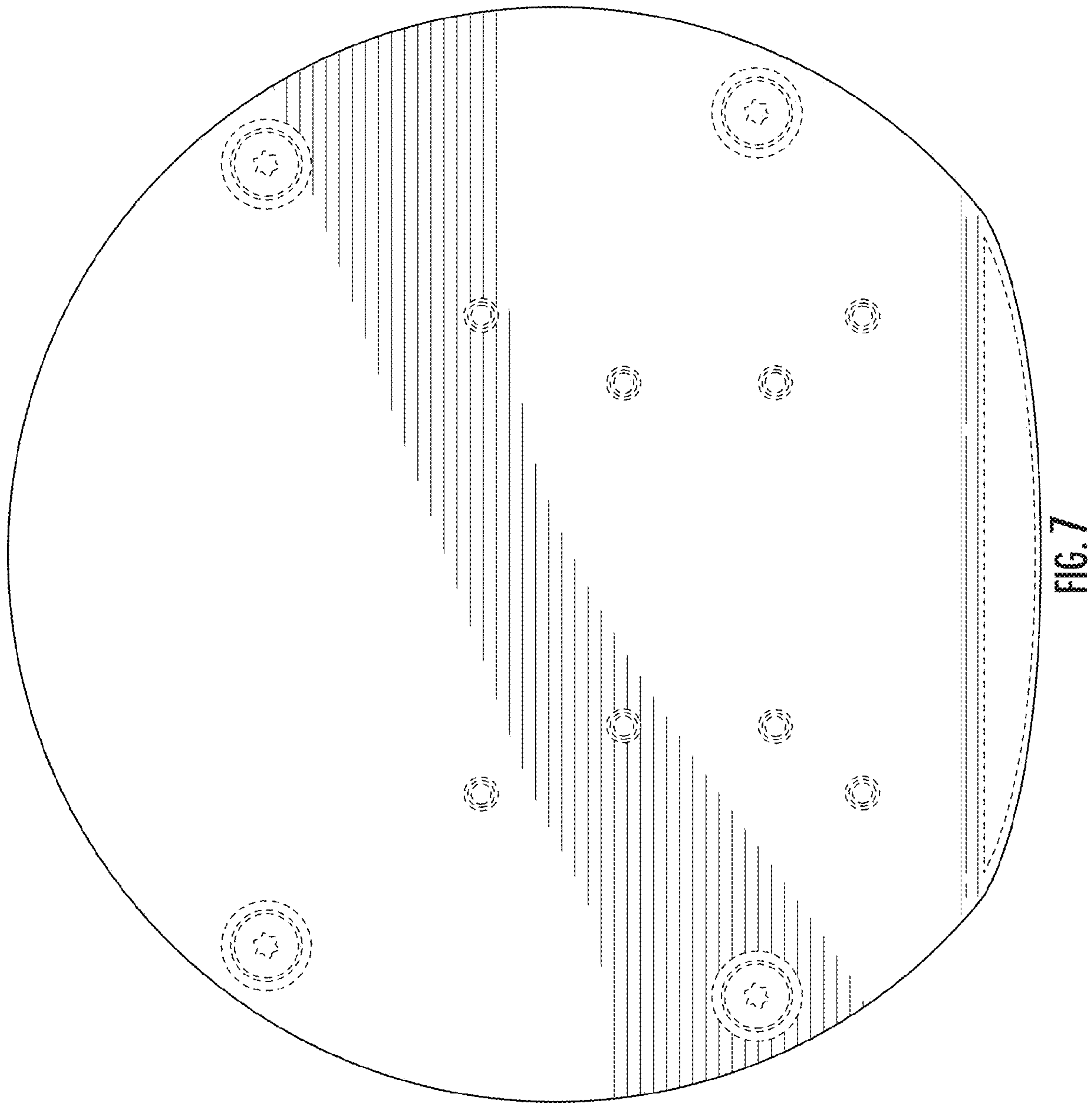


FIG. 7

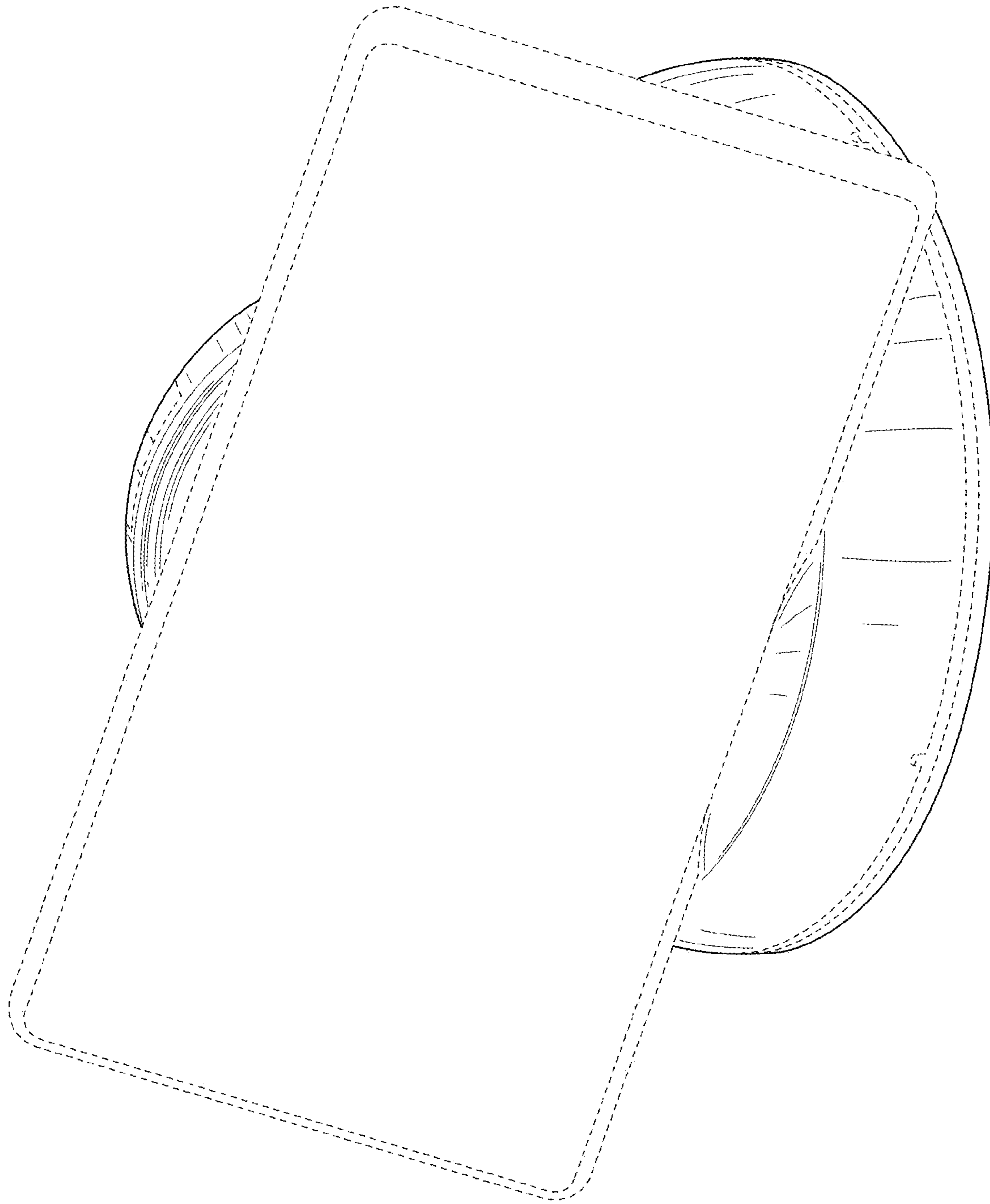


FIG. 8