



US00D941761S

(12) **United States Design Patent**
Liao

(10) **Patent No.:** **US D941,761 S**
(45) **Date of Patent:** **** Jan. 25, 2022**

(54) **MOBILE POWER SUPPLY**
(71) Applicant: **GUANGDONG GOPOD GROUP HOLDING CO., LTD**, Shenzhen (CN)
(72) Inventor: **Zhuowen Liao**, Shenzhen (CN)
(73) Assignee: **Guangdong Gopod Group Holding Co., Ltd.**, Shenzhen (CN)
(**) Term: **15 Years**

D762,168 S *	7/2016	Sandoval	D13/107
D832,785 S *	11/2018	Rostami	D13/108
D839,189 S *	1/2019	Miller	D13/108
D855,567 S *	8/2019	Cai	D13/108
D859,307 S *	9/2019	Campos	D13/108
D860,937 S *	9/2019	Slaatto	D13/108
D864,861 S *	10/2019	Roberts	D13/108
D883,209 S *	5/2020	Liao	D13/110
D887,974 S *	6/2020	Chen	D13/108
D890,095 S *	7/2020	Liao	D13/110
D906,959 S *	1/2021	Turksu	D13/108
D911,955 S *	3/2021	Turksu	D13/108

(21) Appl. No.: **29/727,983**
(22) Filed: **Mar. 15, 2020**

* cited by examiner

Primary Examiner — Rosemary K Tarcza
(74) *Attorney, Agent, or Firm* — Wolf, Greenfield & Sacks, P.C.

(30) **Foreign Application Priority Data**
Jan. 14, 2020 (CN) 202030023158.7

(57) **CLAIM**
The ornamental design for a mobile power supply, as shown and described.

(51) **LOC (13) Cl.** **13-02**
(52) **U.S. Cl.**
USPC **D13/108; D13/110**

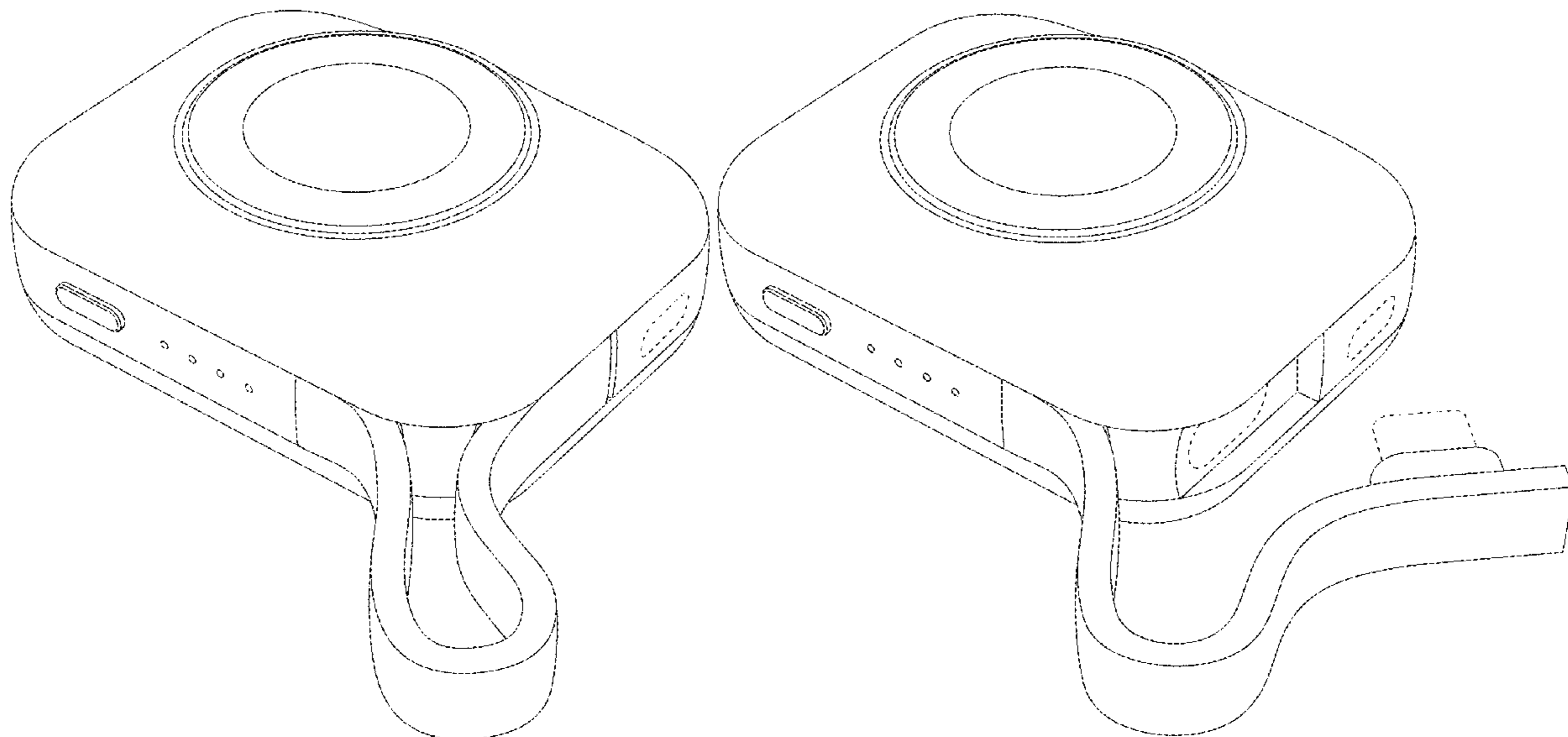
DESCRIPTION

(58) **Field of Classification Search**
USPC D13/118–119, 184, 199, 103, 107–108, D13/110; D14/251, 253, 432, 434
CPC H02J 7/025; H02J 7/0042; H02J 7/0044; H02J 7/0045; H02J 7/0047; H02J 7/0003; H02J 7/00047; H02J 7/0013; H02J 7/0027; H02J 7/02; H02J 50/10; H02J 50/12
See application file for complete search history.

FIG. 1 is a first perspective view of a mobile power supply showing my new design;
FIG. 2 is a second perspective view thereof;
FIG. 3 is a front elevational view thereof;
FIG. 4 is a rear elevational view thereof;
FIG. 5 is a left elevational side view thereof
FIG. 6 is a right elevational side view thereof;
FIG. 7 is a top plan view thereof;
FIG. 8 is a bottom plan view thereof; and,
FIG. 9 is third perspective view of the mobile power supply with its connecting wire pulled out.
The broken lines in the figures depict portions of the mobile power supply that form no part of the claimed design.

(56) **References Cited**
U.S. PATENT DOCUMENTS
D478,086 S * 8/2003 Chuang D13/110
D656,096 S * 3/2012 Sasada D13/108
D682,196 S * 5/2013 Leung D13/103

1 Claim, 9 Drawing Sheets



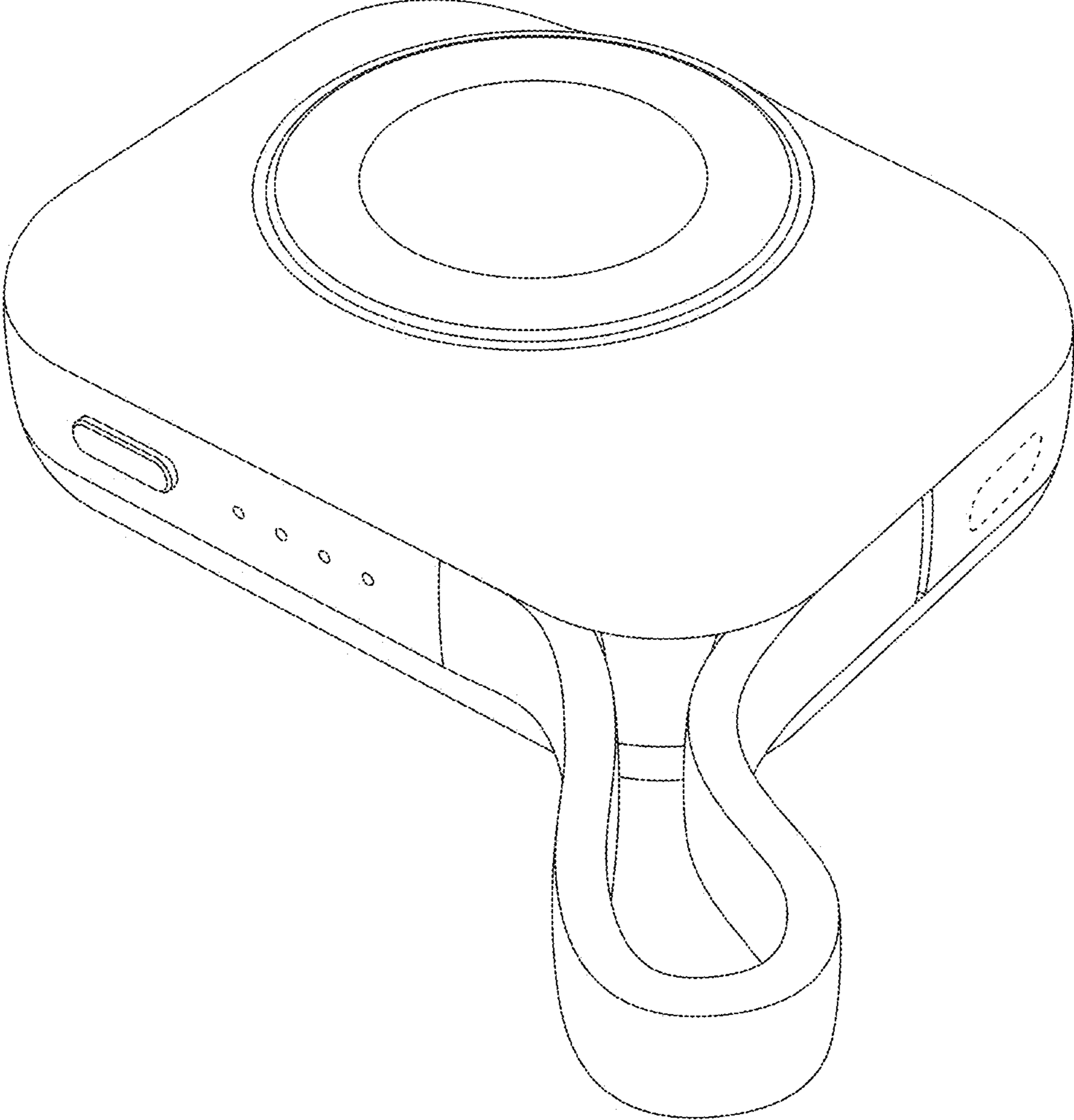


FIG.1

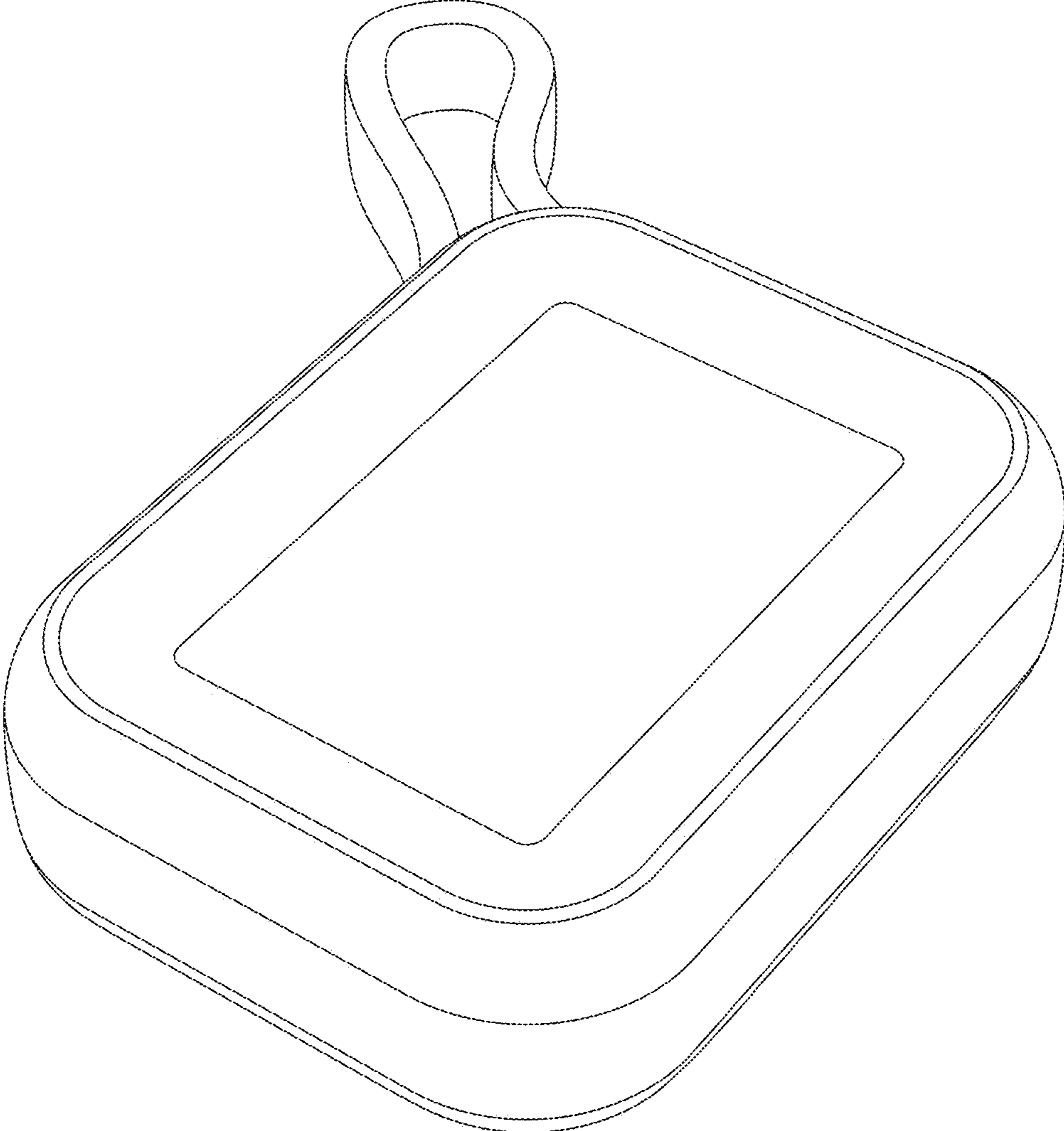


FIG.2

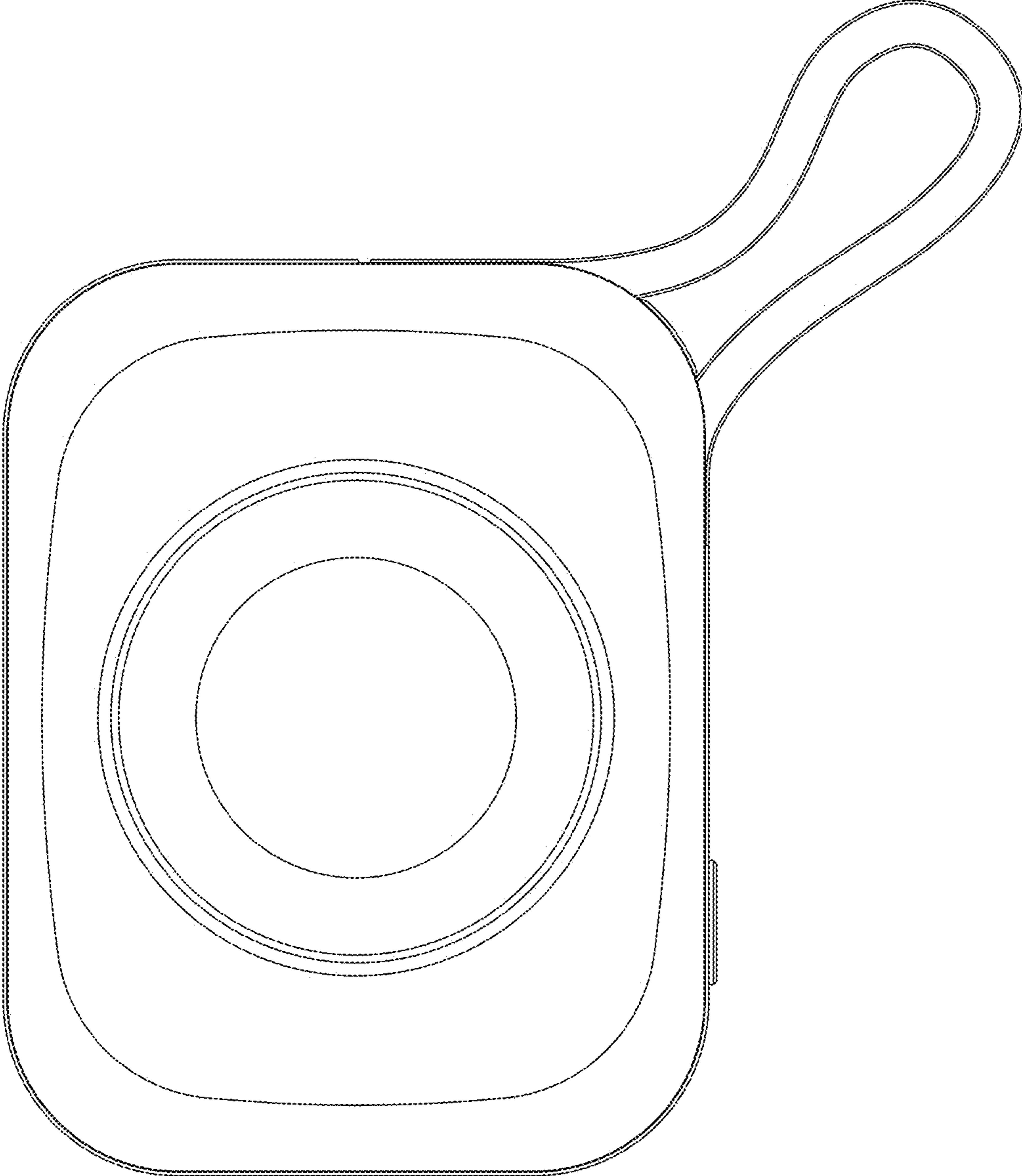


FIG.3

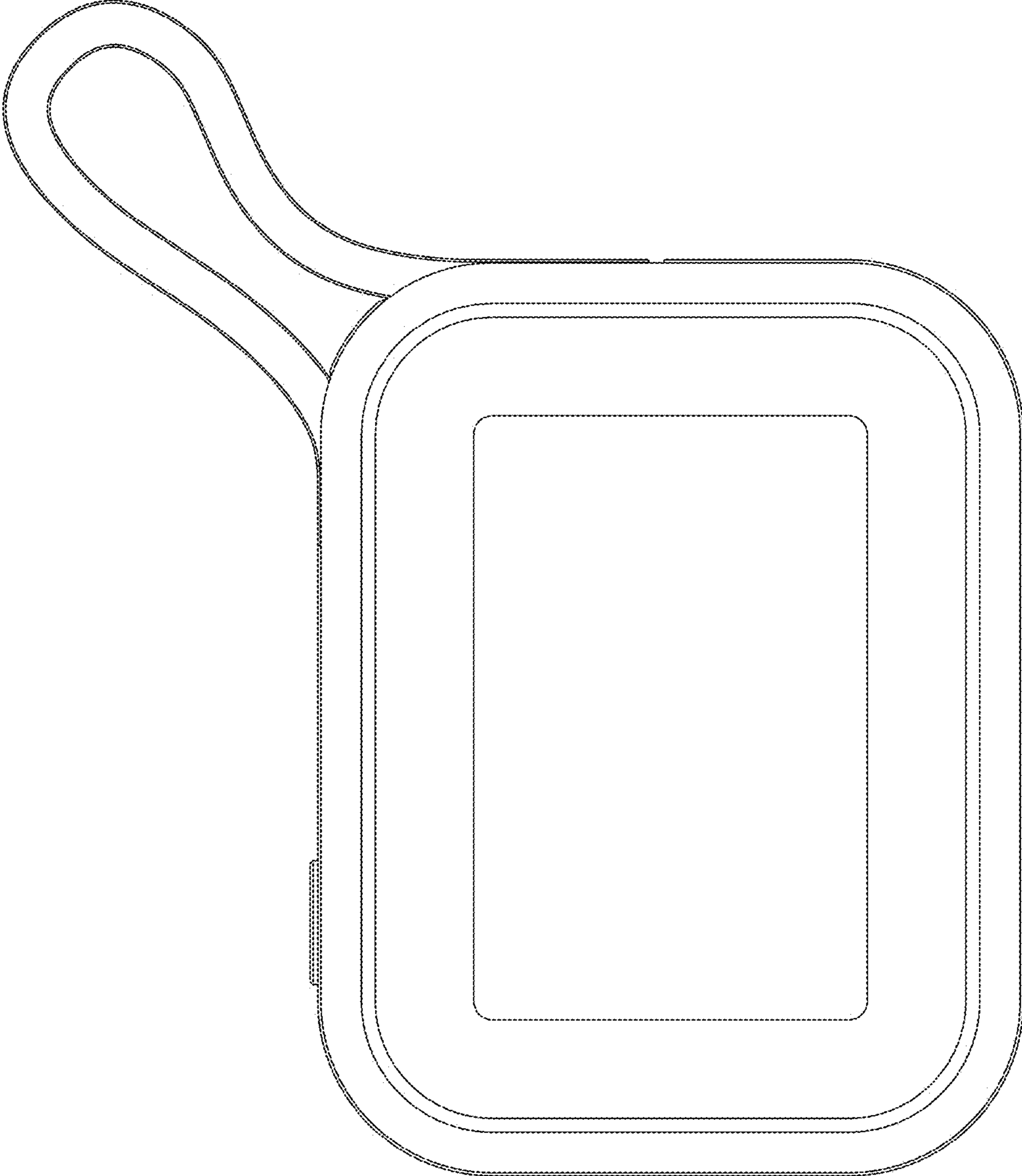


FIG.4

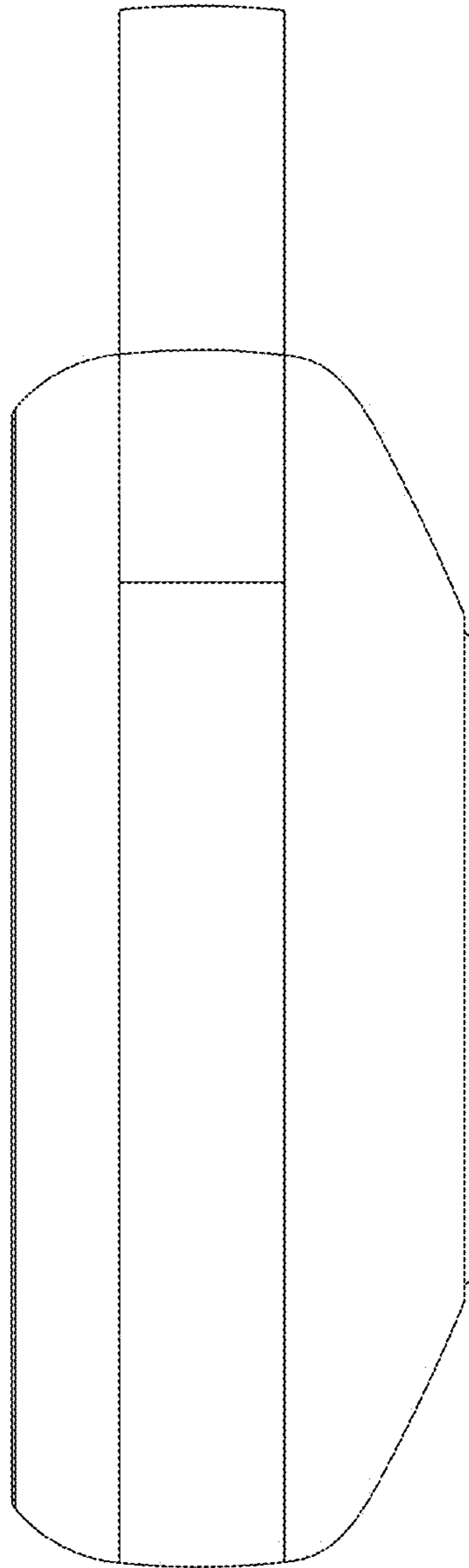


FIG.5

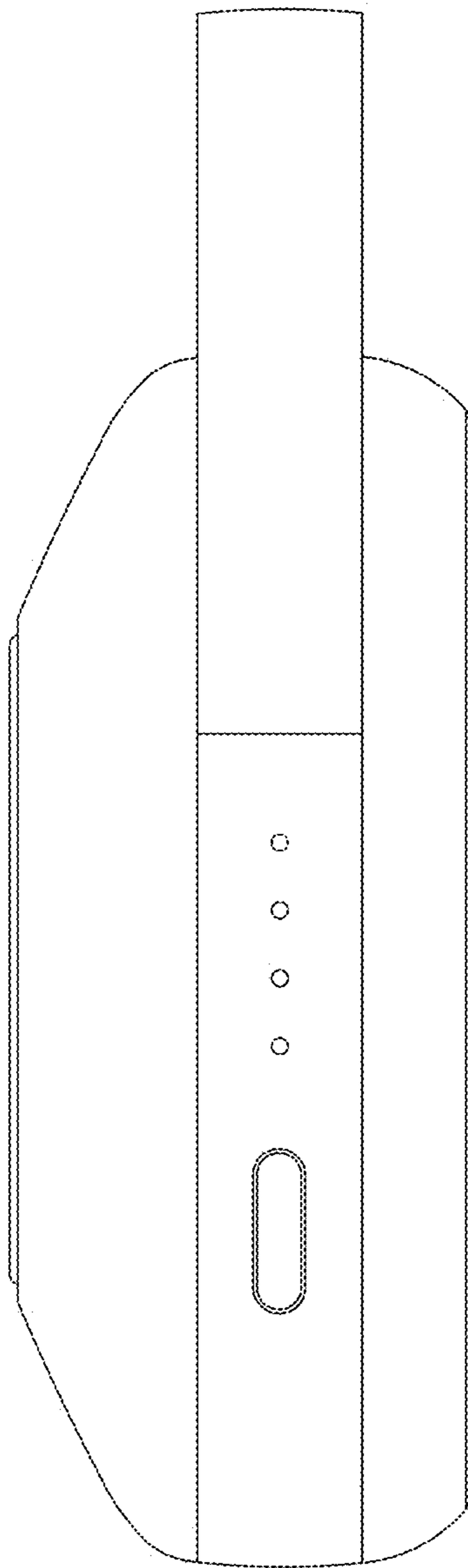


FIG.6

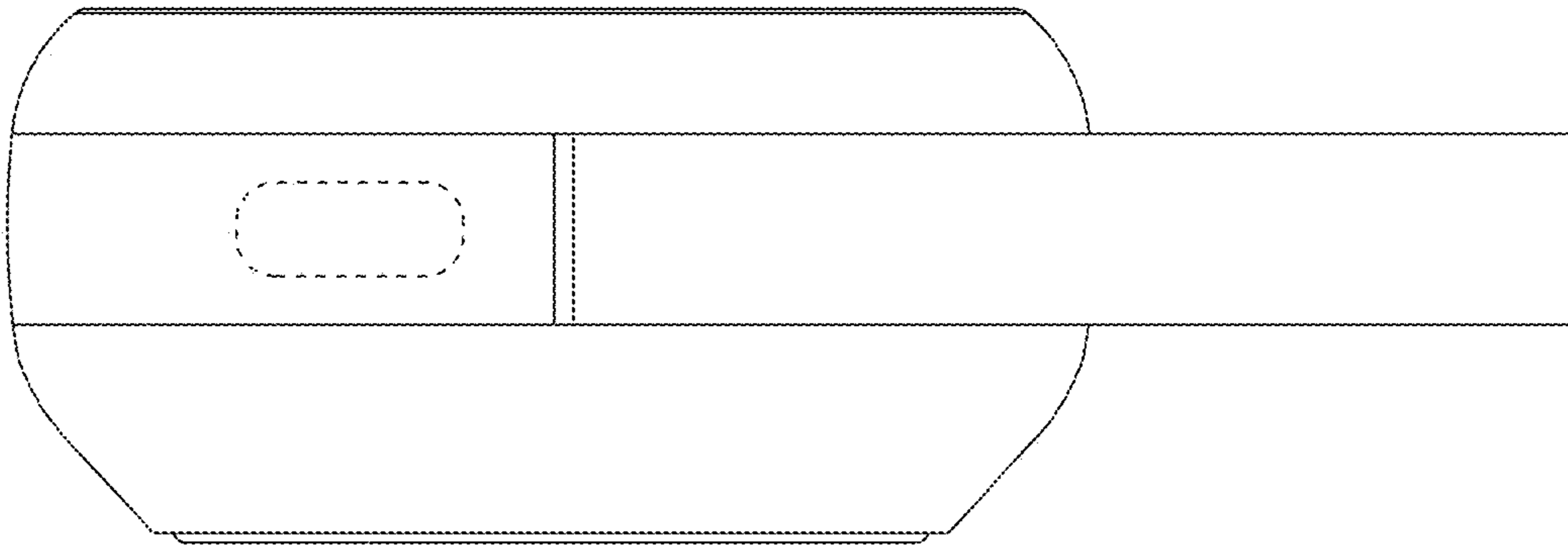


FIG. 7

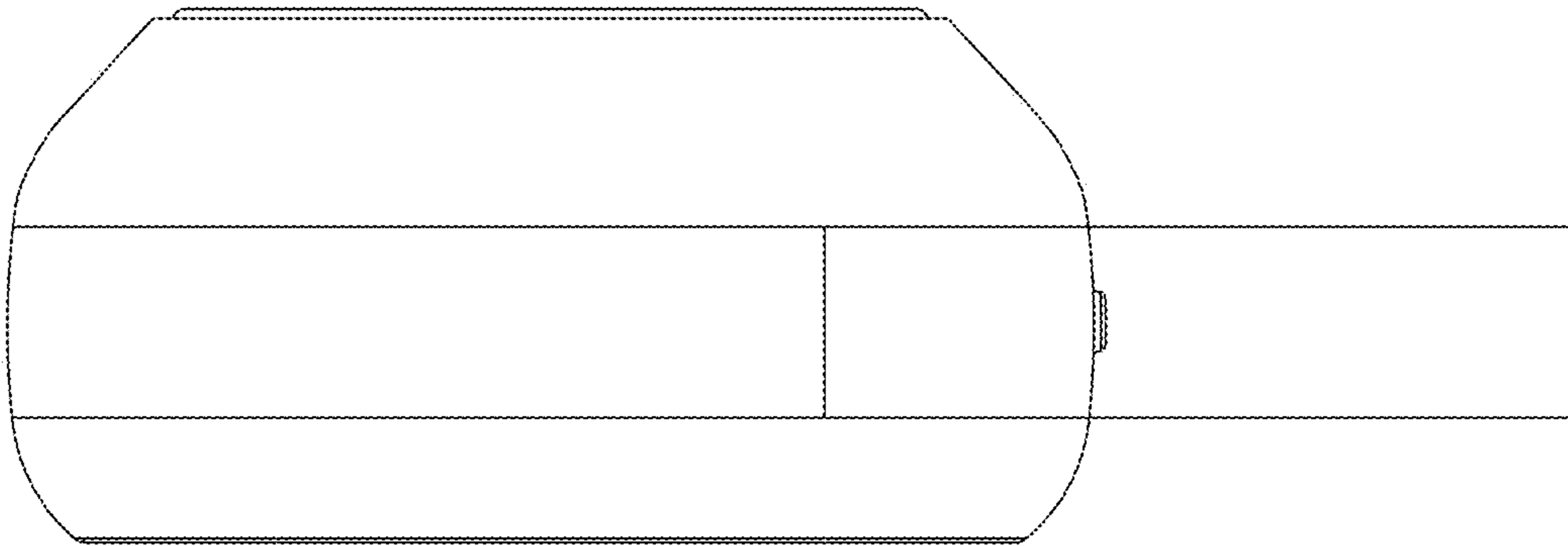


FIG.8

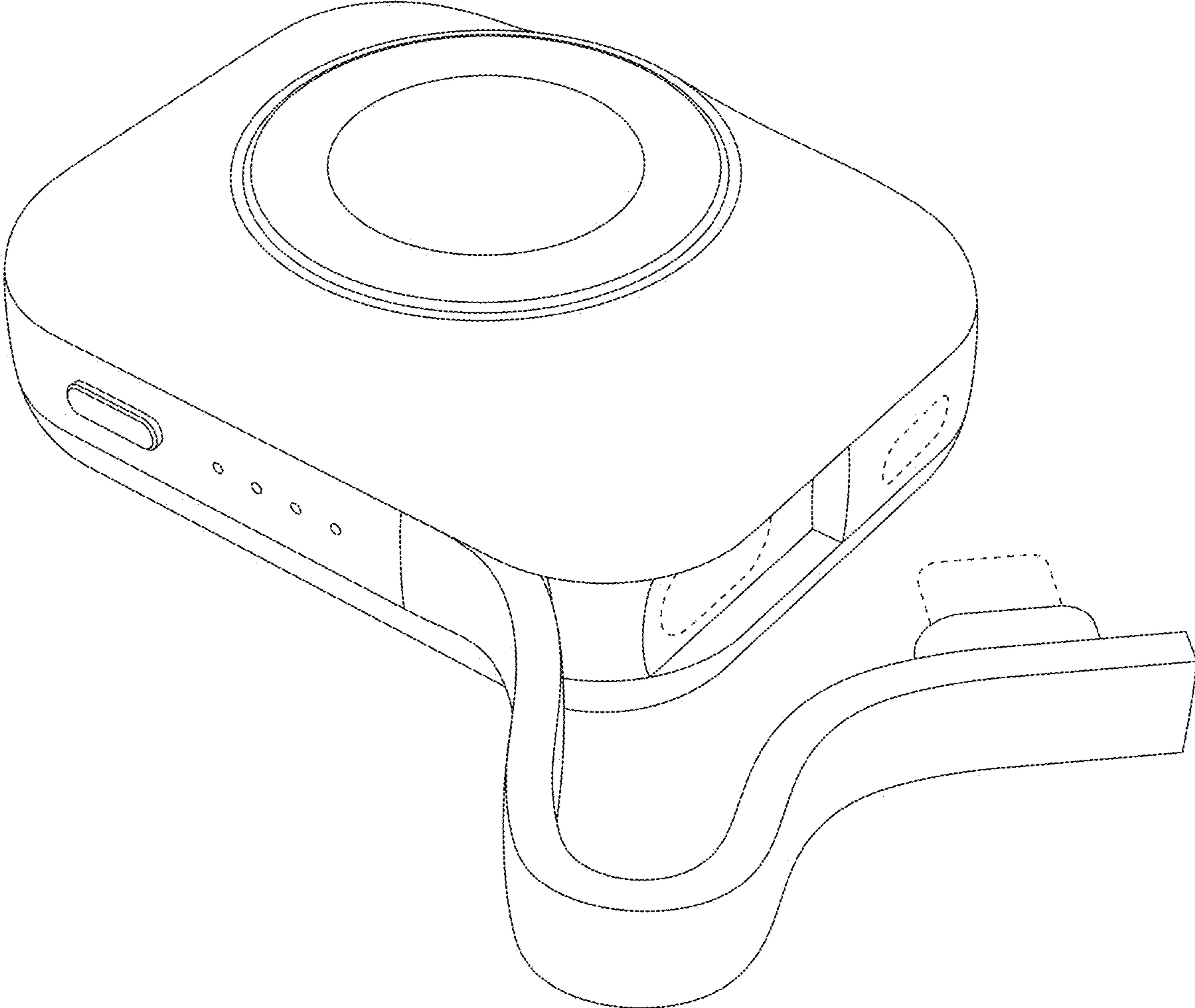


FIG.9