



US00D941760S

(12) **United States Design Patent**
Ryan et al.

(10) **Patent No.:** **US D941,760 S**
(45) **Date of Patent:** **** Jan. 25, 2022**

(54) **WIRELESS CHARGING MOUNT**
(71) Applicant: **ANNEX PRODUCTS PTY. LTD.,**
Prahran (AU)
(72) Inventors: **Leigh M. Ryan, Sandringham (AU);**
Christopher L. Peters, Glen Iris (AU)
(73) Assignee: **ANNEX PRODUCTS PTY. LTD.,**
South Yarra (AU)

(**) Term: **15 Years**

(21) Appl. No.: **29/724,034**

(22) Filed: **Feb. 12, 2020**

(51) **LOC (13) Cl.** **13-02**

(52) **U.S. Cl.**
USPC **D13/108**

(58) **Field of Classification Search**
USPC D13/103, 107-110, 118, 119, 184, 199;
D14/251, 253, 432, 434
CPC Y02E 60/12; H02J 7/025; H02J 7/0042;
H02J 7/0044; H02J 7/0045; H02J 7/0003;
H02J 7/0027; H02J 7/0013; H02J 7/0054;
H02J 7/00; H02J 3/32; H02J 3/008; H02J
2001/008; H01F 38/14; H01R 13/6675;
H01M 2/1022; H01M 2/1055; H01M
10/44; H01M 10/46; H01M 10/425;
B60R 16/03; B60L 11/1809; B60L
11/1861; B60L 11/182

See application file for complete search history.

(56) **References Cited**

U.S. PATENT DOCUMENTS

D548,688 S * 8/2007 Fee D13/107
D662,065 S * 6/2012 Cook D13/168
D666,175 S * 8/2012 Yamada D14/218
D666,176 S * 8/2012 Yamada D14/218
9,243,739 B2 * 1/2016 Peters F16M 13/00
D813,239 S * 3/2018 Akana D14/432
D825,549 S * 8/2018 Lebovitz D14/253

D832,276 S * 10/2018 Miles D14/451
D850,370 S * 6/2019 Lee D13/108
D852,681 S * 7/2019 Peters D12/114
D860,190 S * 9/2019 Liao D14/253
D876,316 S * 2/2020 Peters D12/415
D882,560 S * 4/2020 Liao D14/253
D883,271 S * 5/2020 Liao D14/253
D883,922 S * 5/2020 Peters D13/108
D900,733 S * 11/2020 Roberts D13/108
D906,958 S * 1/2021 Fitzgerald D13/108
D906,959 S * 1/2021 Turksu D13/108
D911,955 S * 3/2021 Turksu D13/108

(Continued)

Primary Examiner — Christy Nemeth

(74) *Attorney, Agent, or Firm* — Barnes & Thornburg
LLP

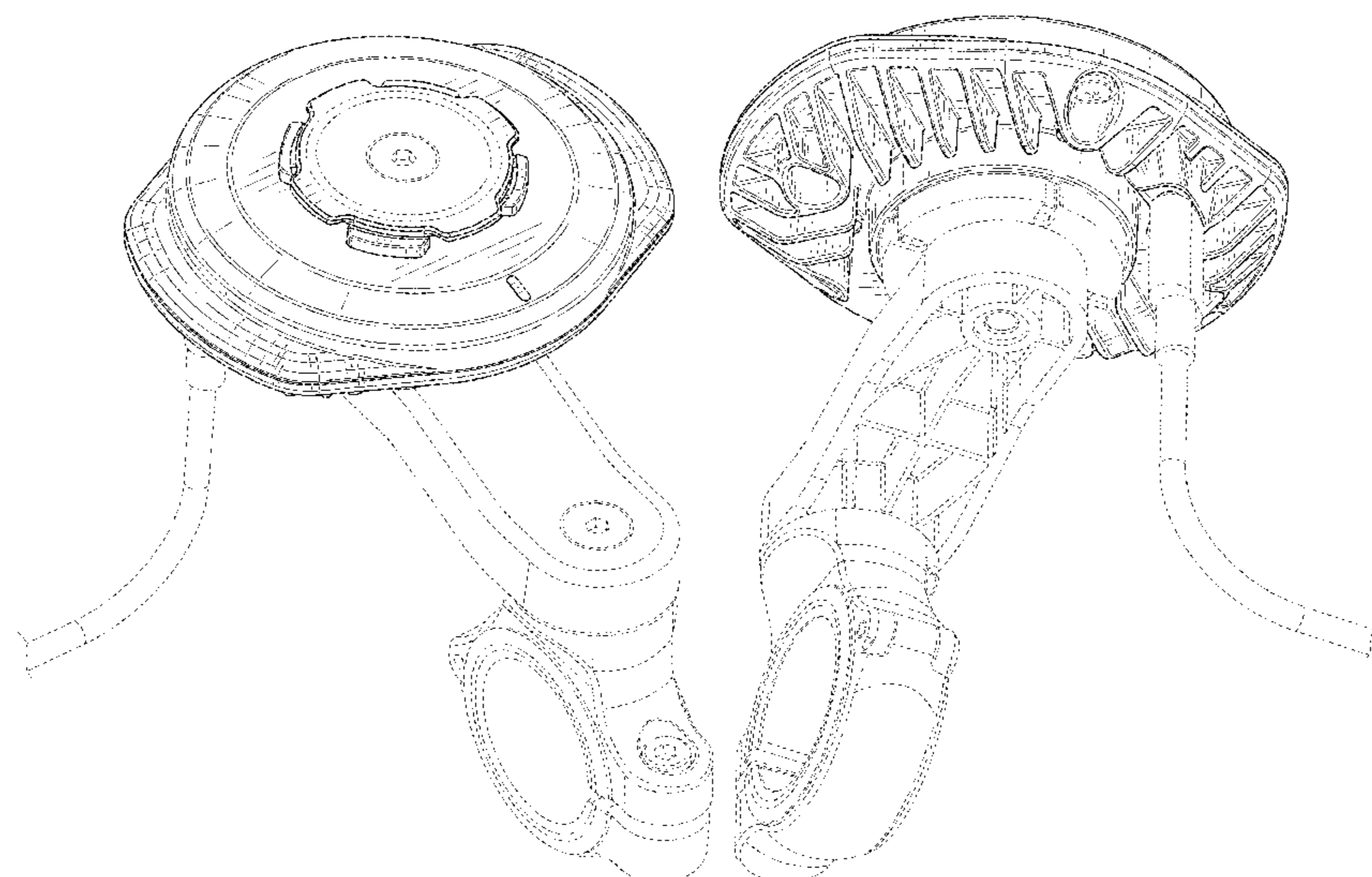
(57) **CLAIM**

We claim the ornamental design for a wireless charging
mount, as shown and described.

DESCRIPTION

FIG. 1 is a top perspective view of a wireless charging
mount in accordance with our new design;
FIG. 2 is a bottom perspective view of the wireless charging
mount of FIG. 1;
FIG. 3 is a top plan view of the wireless charging mount of
FIG. 1;
FIG. 4 is a bottom plan view of the wireless charging mount
of FIG. 1;
FIG. 5 is a rear elevation view of the wireless charging
mount of FIG. 1;
FIG. 6 is a front elevation view of the wireless charging
mount of FIG. 1;
FIG. 7 is a left-side elevation view of the wireless charging
mount of FIG. 1; and,
FIG. 8 is a right-side elevation view of the wireless charging
mount of FIG. 1.
The broken lines depict portions of the wireless charging
mount that form no part of the claimed design.

1 Claim, 8 Drawing Sheets



(56)

References Cited

U.S. PATENT DOCUMENTS

| | | | |
|-------------------|---------|--------------|-----------------------|
| D913,224 S * | 3/2021 | Kim | D13/108 |
| D918,135 S * | 5/2021 | Akana | D13/108 |
| D921,581 S * | 6/2021 | Bao | D13/107 |
| 2013/0318775 A1 * | 12/2013 | Peters | A45F 5/00 29/592.1 |

* cited by examiner

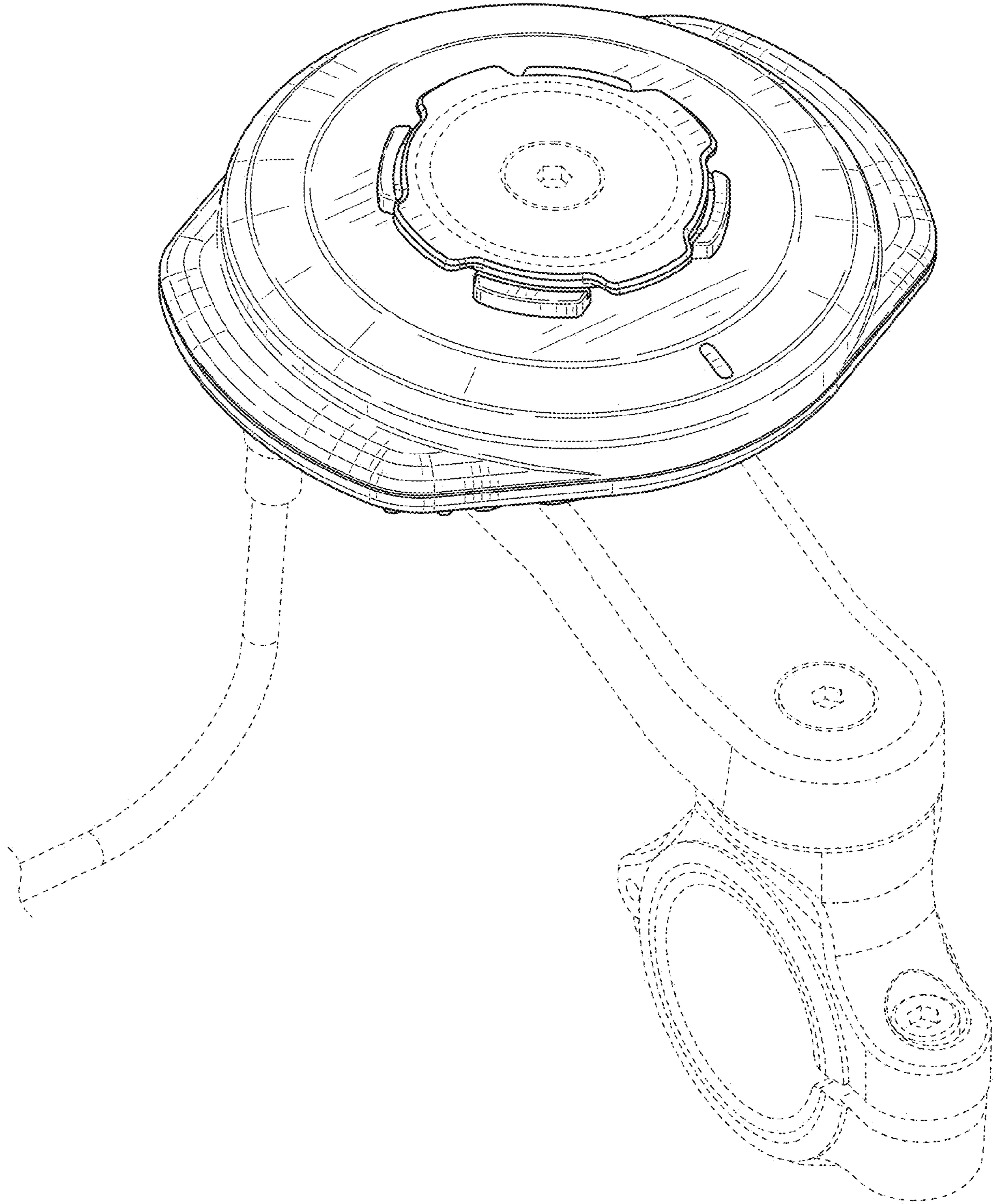


FIG. 1

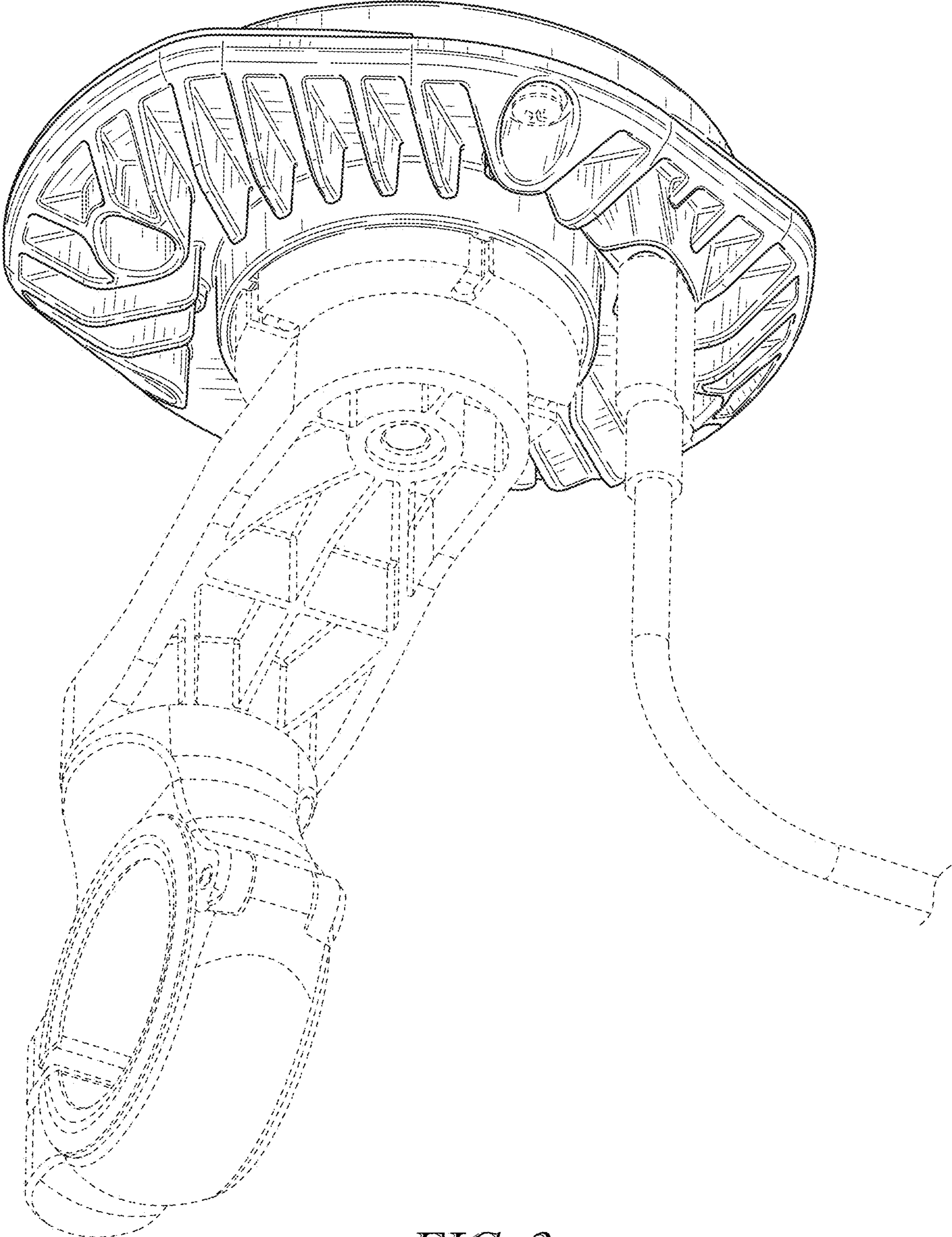


FIG. 2

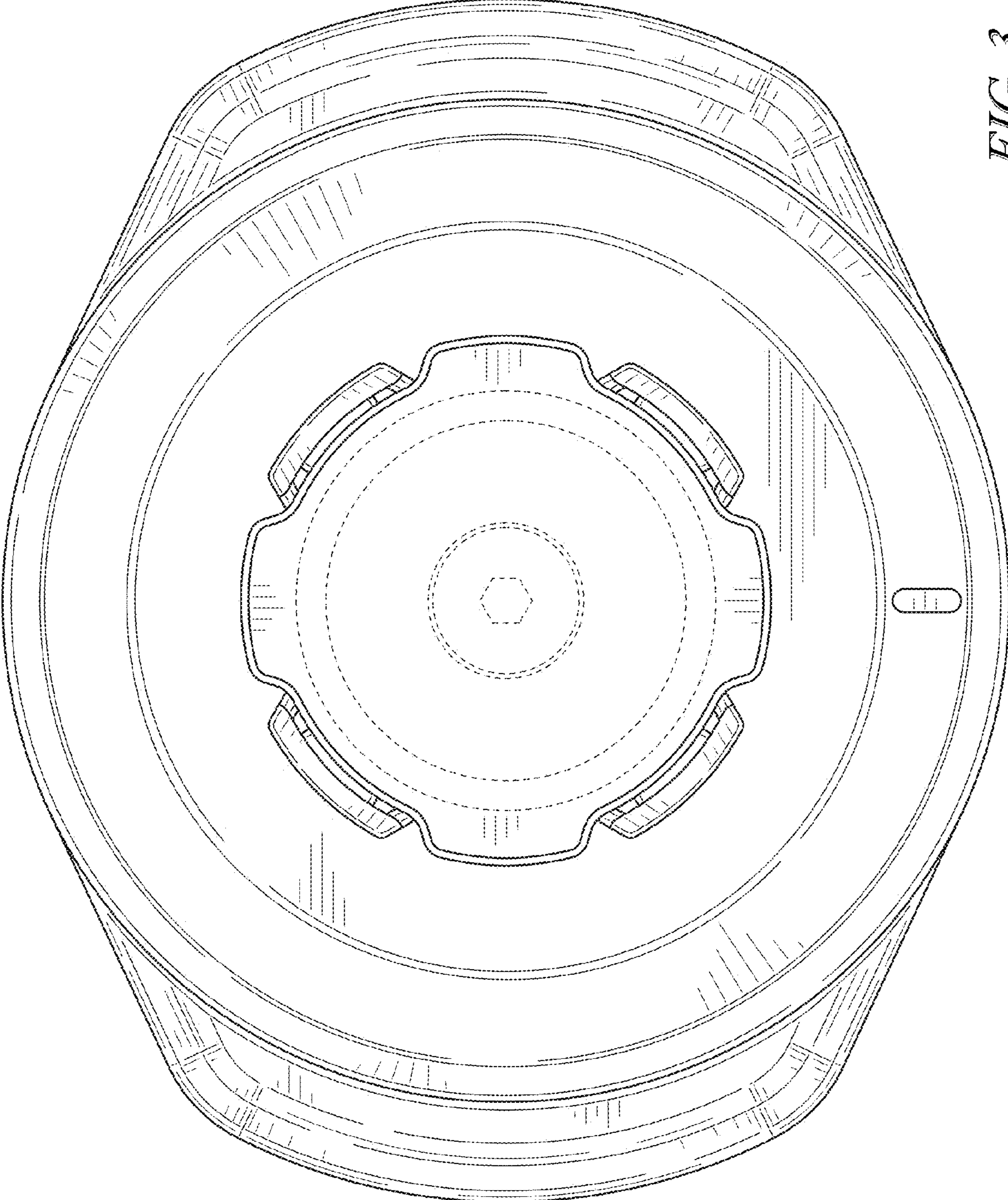


FIG. 3

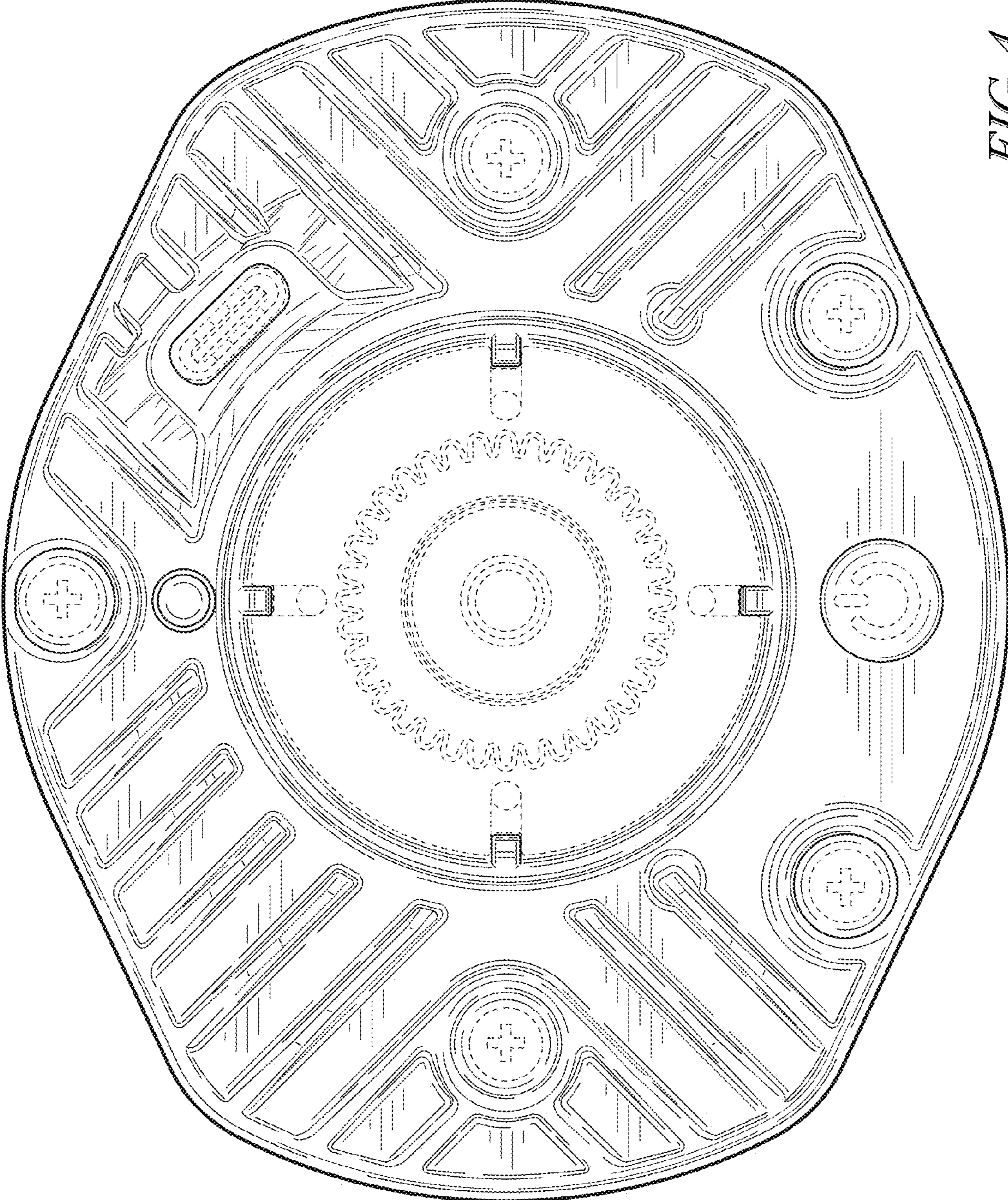


FIG. 4

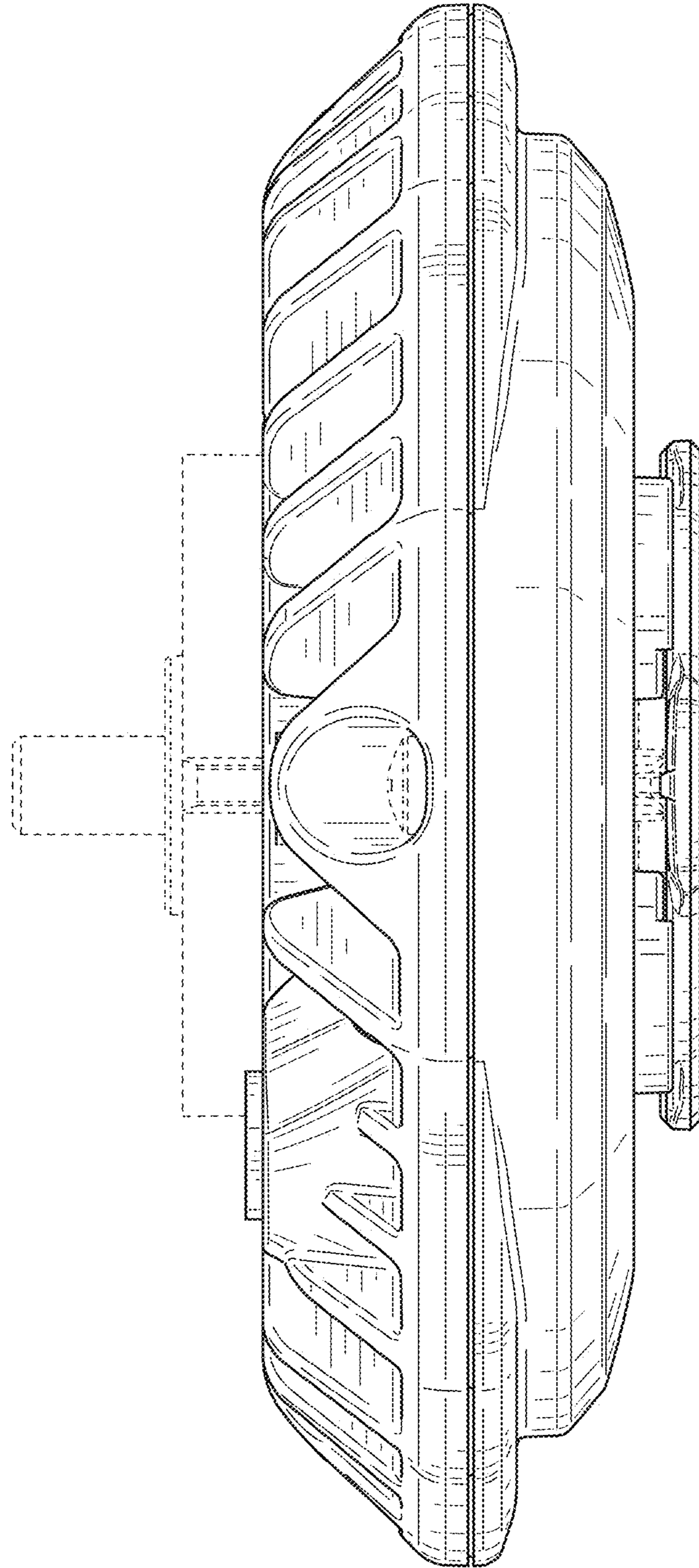


FIG. 5

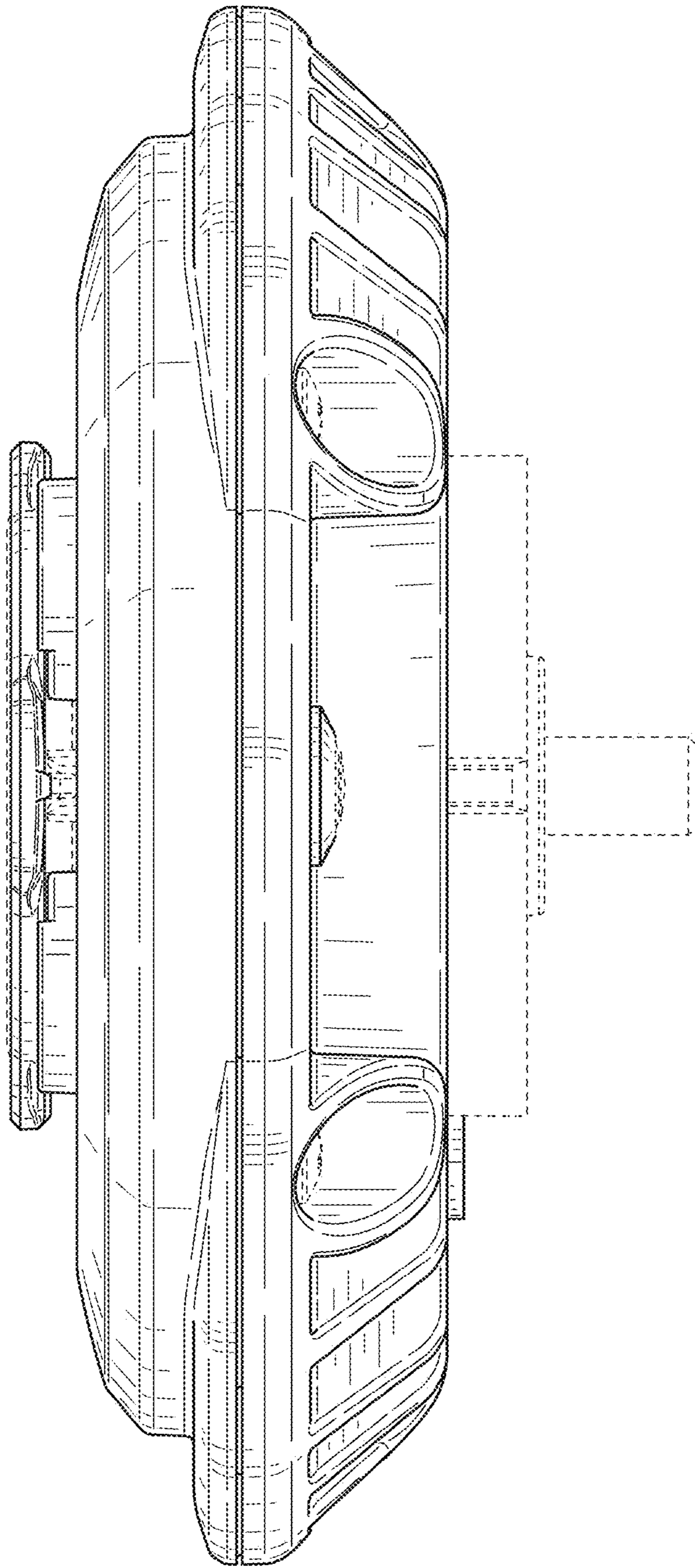


FIG. 6

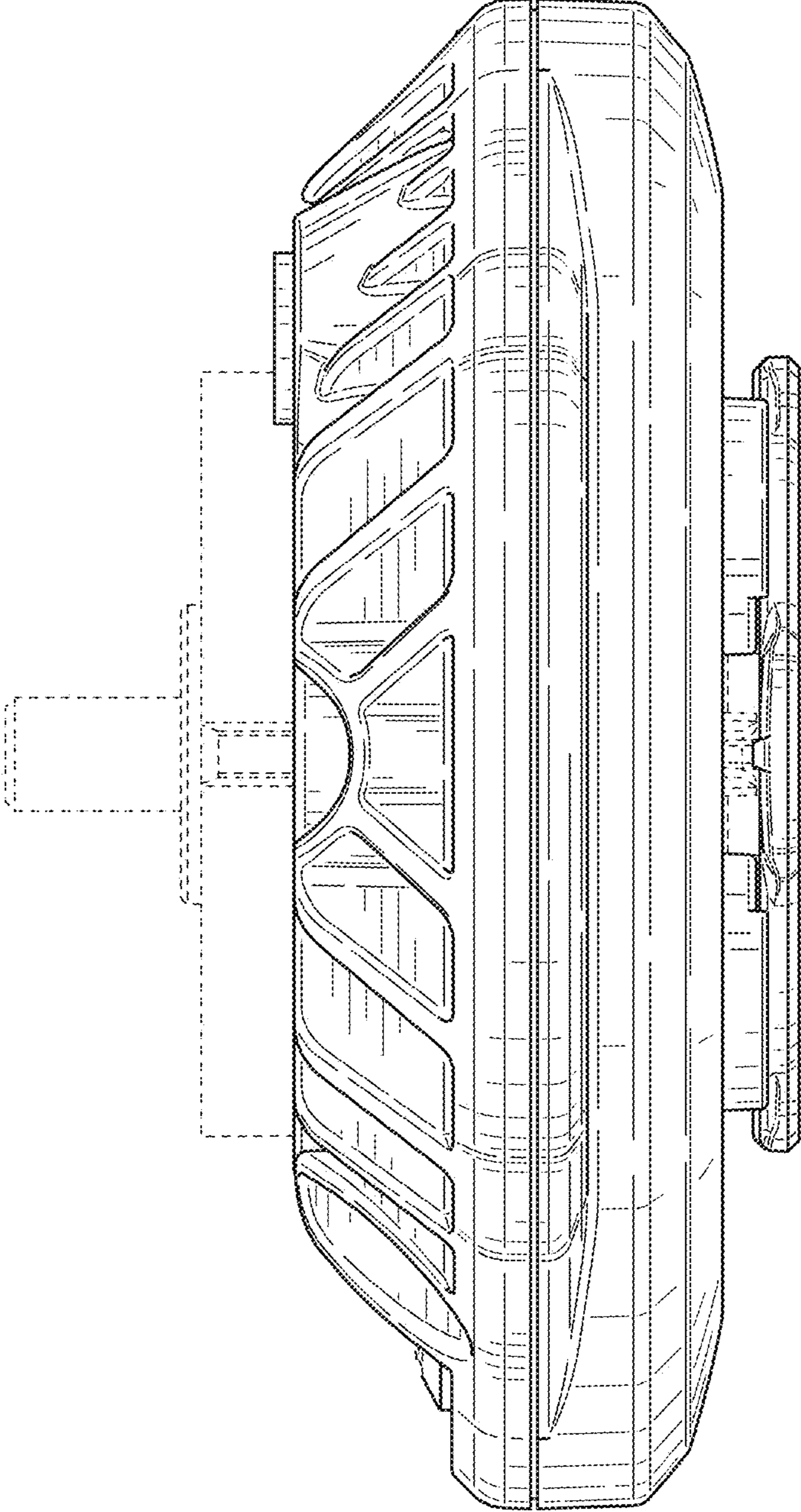


FIG. 7

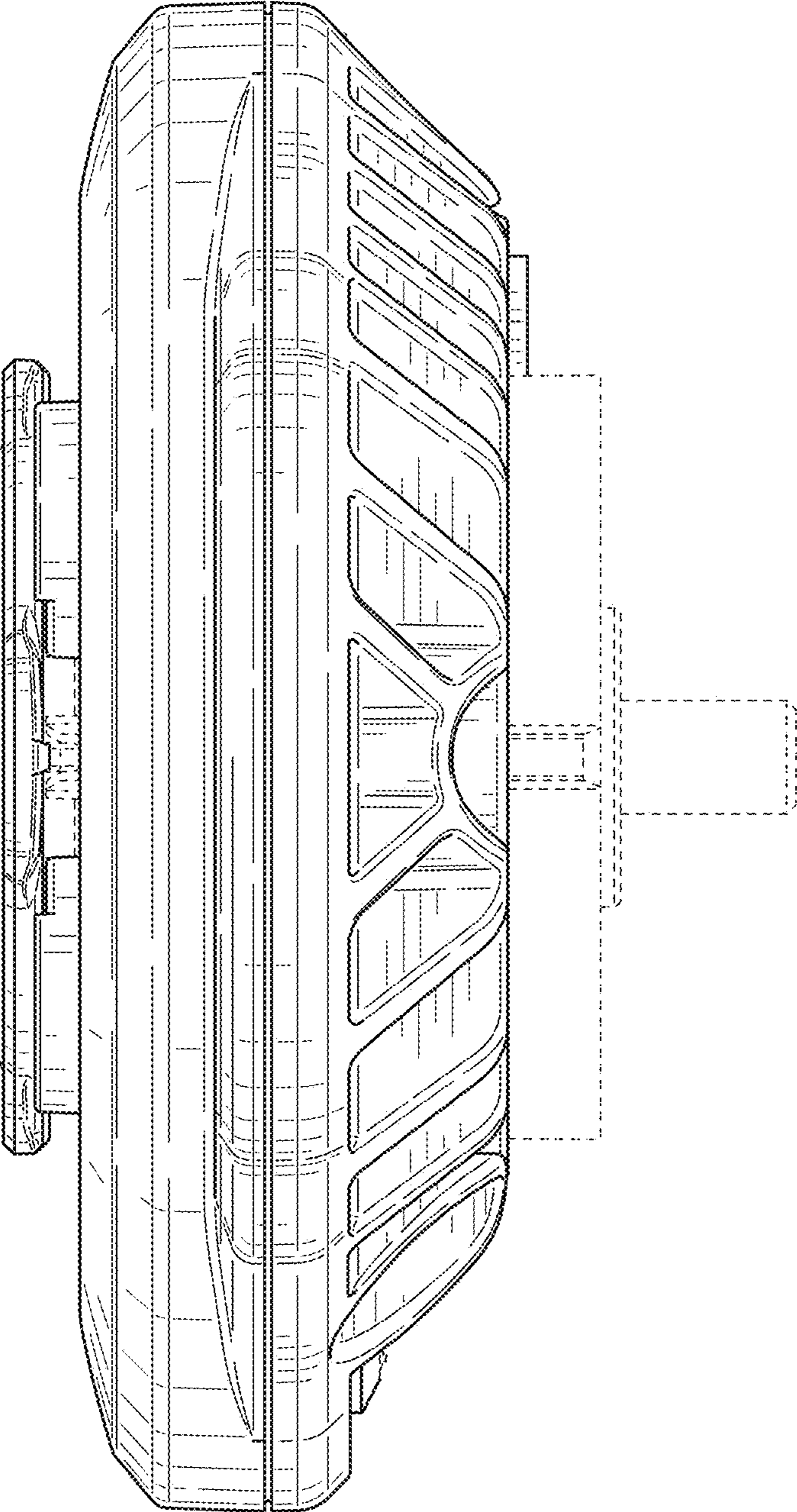


FIG. 8