



US00D941759S

(12) **United States Design Patent**
Yamamoto

(10) **Patent No.:** **US D941,759 S**
(45) **Date of Patent:** **** Jan. 25, 2022**

(54) **CHARGING STAND FOR ELECTRONIC DEVICE**

(71) Applicant: **Shigeki Yamamoto**, Yokohama (JP)

(72) Inventor: **Shigeki Yamamoto**, Yokohama (JP)

(**) Term: **15 Years**

(21) Appl. No.: **29/684,974**

(22) Filed: **Mar. 25, 2019**

(30) **Foreign Application Priority Data**

Sep. 28, 2018 (JP) 2018-021320

(51) **LOC (13) Cl.** **13-02**

(52) **U.S. Cl.**
USPC **D13/108**

(58) **Field of Classification Search**
USPC D13/103, 107, 108, 110, 133,
D13/137.1–137.4, 138.1–138.2,
D13/139.1–139.8, 146, 147, 151–156,
D13/173, 177, 199; D14/432, 433, 435.1,
D14/250; D15/7–9; D8/350, 353–356;
D23/231, 232

CPC Y02E 60/12; Y02E 60/122; Y02E 60/124;
Y02E 60/50; H01M 2/02; H01M 2/022;
H01M 2/0202; H01M 2/0207; H01M
2/0212; H01M 2/1061; H01M 2/1022;
H01M 2/1055; H01M 2/1066; H01M
2/105; H01M 2/204; Y02T 10/7005;
Y02T 10/705; Y02T 10/7088; H02J 7/00;
H02J 7/0003; H02J 7/0011; H02J 7/0013;
H02J 7/0054; H02J 7/0055; H02J 7/0057;
H01R 11/00; H01R 9/00; H01R 13/00;
H01R 13/04; H01R 13/10; H01R
13/6666; H01R 13/6675; H01R 25/00;
H01R 25/006; H01H 2207/00; H01H
2207/022

See application file for complete search history.

(56) **References Cited**

U.S. PATENT DOCUMENTS

D578,475 S *	10/2008	Beedham	D13/108
D627,718 S *	11/2010	Houghton	D13/108
D645,818 S *	9/2011	Guccione	D13/108
D722,763 S *	2/2015	Dandachli	D14/435.1
D798,808 S *	10/2017	Ptok	D13/108
D836,547 S *	12/2018	Uttley	D13/108
D851,090 S *	6/2019	Tak	D14/433
D855,567 S *	8/2019	Cai	D13/108
D861,602 S *	10/2019	Feng	D13/108
D865,768 S *	11/2019	Du	D14/434

(Continued)

OTHER PUBLICATIONS

Amazon.com: Poke Ball Plus Charge Stand Officially Licensed by Nintendo & Pokeman. Date First Available of Oct. 4, 2018. Retrieved from the internet at <<https://www.amazon.com/Charge-Officially-Licensed-Nintendo-Pok%C3%A9mon-switch/dp/B07HC4ZD3B/>>, Nov. 2, 2020. 2 pages. (Year: 2018).*

Primary Examiner — Christy Nemeth

(74) *Attorney, Agent, or Firm* — Cohen IP Law Group, P.C.; Michael N. Cohen

(57) **CLAIM**

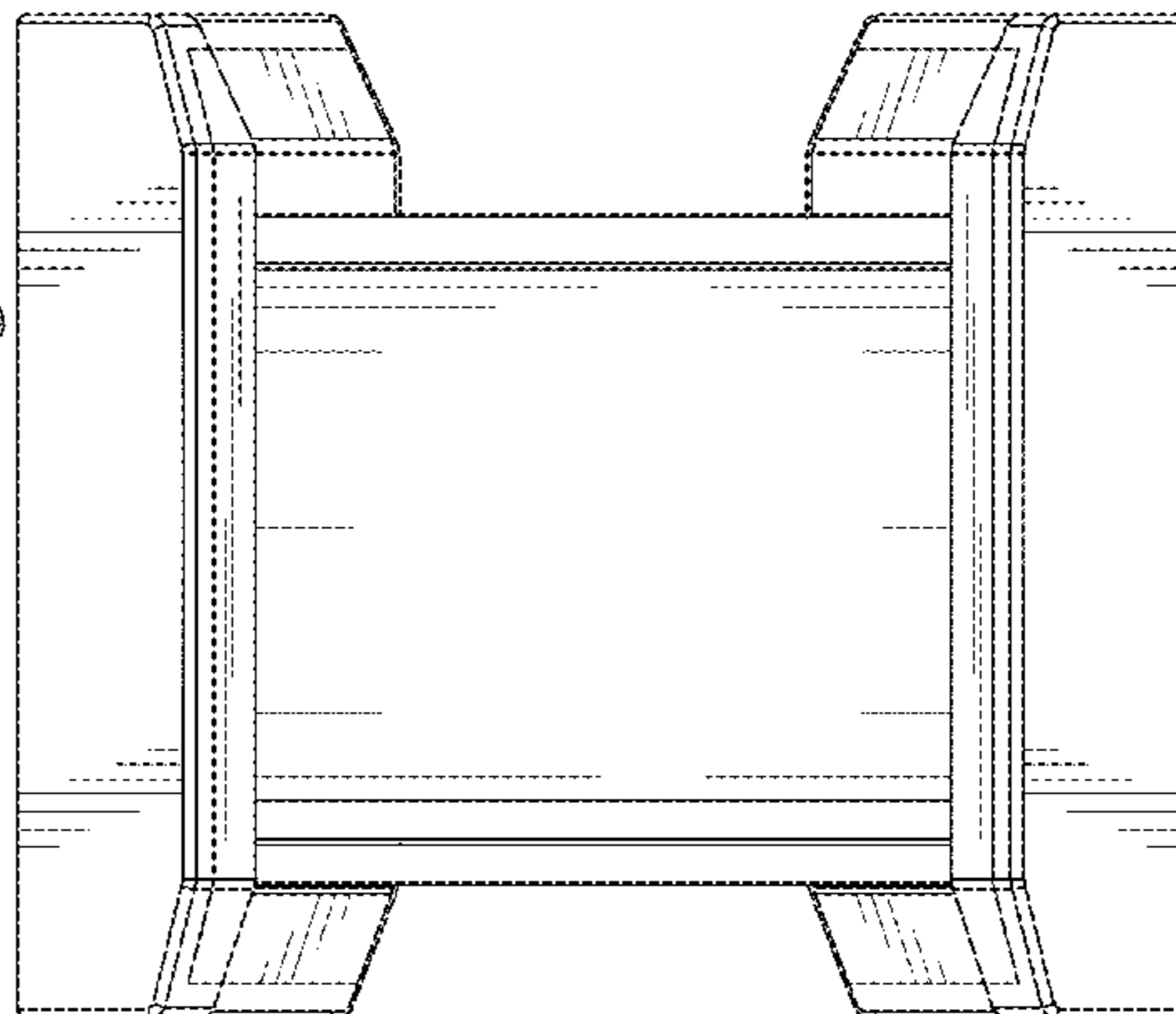
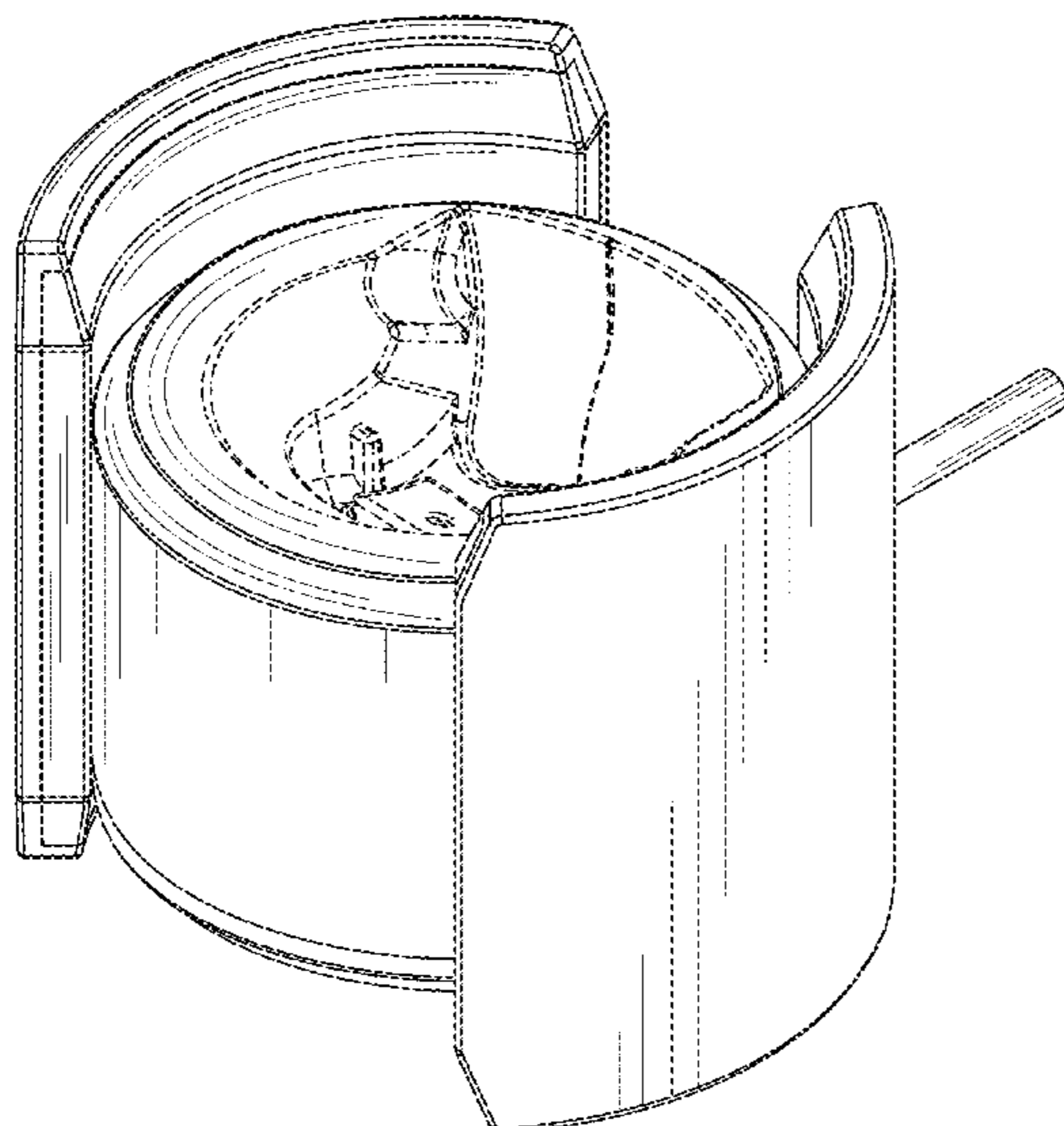
The ornamental design for a charging stand for electronic device, as shown and described.

DESCRIPTION

FIG. 1 is a front top right perspective view of a charging stand for electronic device showing my new design;
FIG. 2 is a rear view of FIG. 1;
FIG. 3 is a front view of FIG. 1;
FIG. 4 is a right side view of FIG. 1;
FIG. 5 is a left side view of FIG. 1;
FIG. 6 is a top view of FIG. 1; and,
FIG. 7 is a bottom view of FIG. 1.

The broken lines shown are included for the purpose of illustrating portions of the charging stand for electronic device that form no part of the claim.

1 Claim, 7 Drawing Sheets



(56)

References Cited

U.S. PATENT DOCUMENTS

D868,067 S	*	11/2019	Guarniere	D14/432
D870,040 S	*	12/2019	Wu	D13/108
D870,663 S	*	12/2019	Schubert	D13/108
D870,664 S	*	12/2019	Langhammer	D13/108
D870,665 S	*	12/2019	Schubert	D13/108
D872,015 S	*	1/2020	Choi	D13/108
D891,366 S	*	7/2020	Xie	D13/108
D893,420 S	*	8/2020	Xiao	D13/108
D895,541 S	*	9/2020	Zhang	D13/108
D898,666 S	*	10/2020	Alves	D13/108

* cited by examiner

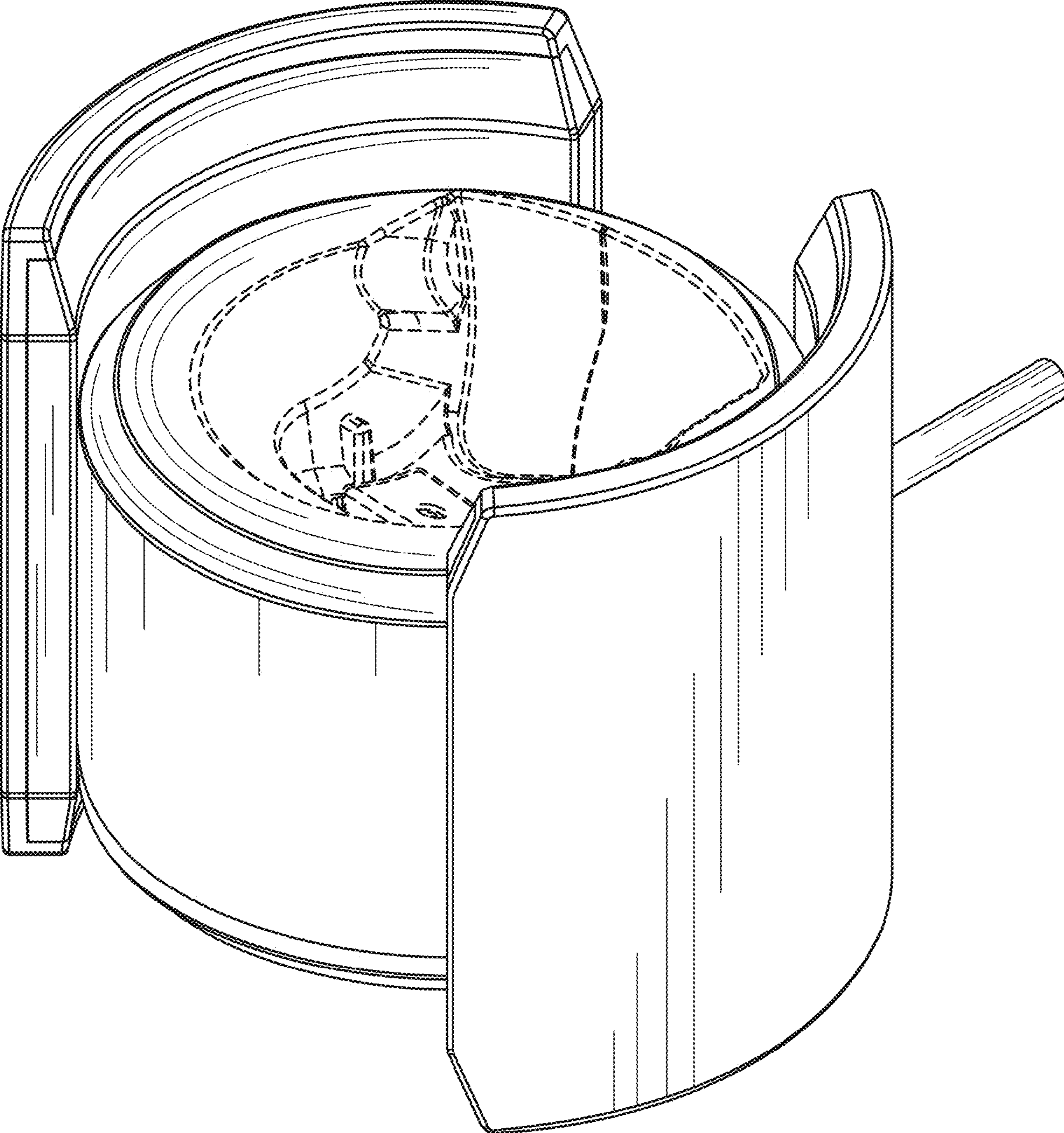


FIG. 1

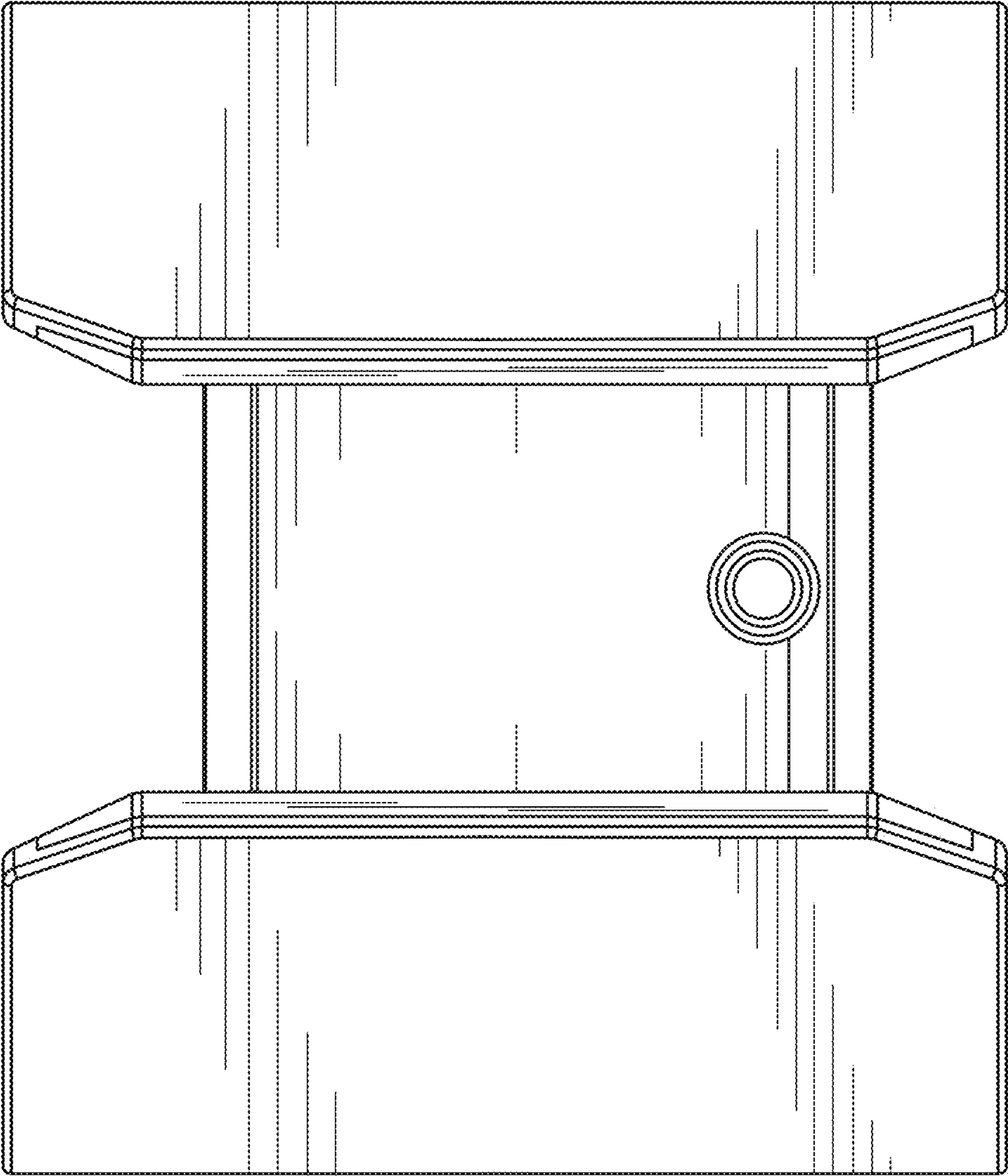


FIG. 2

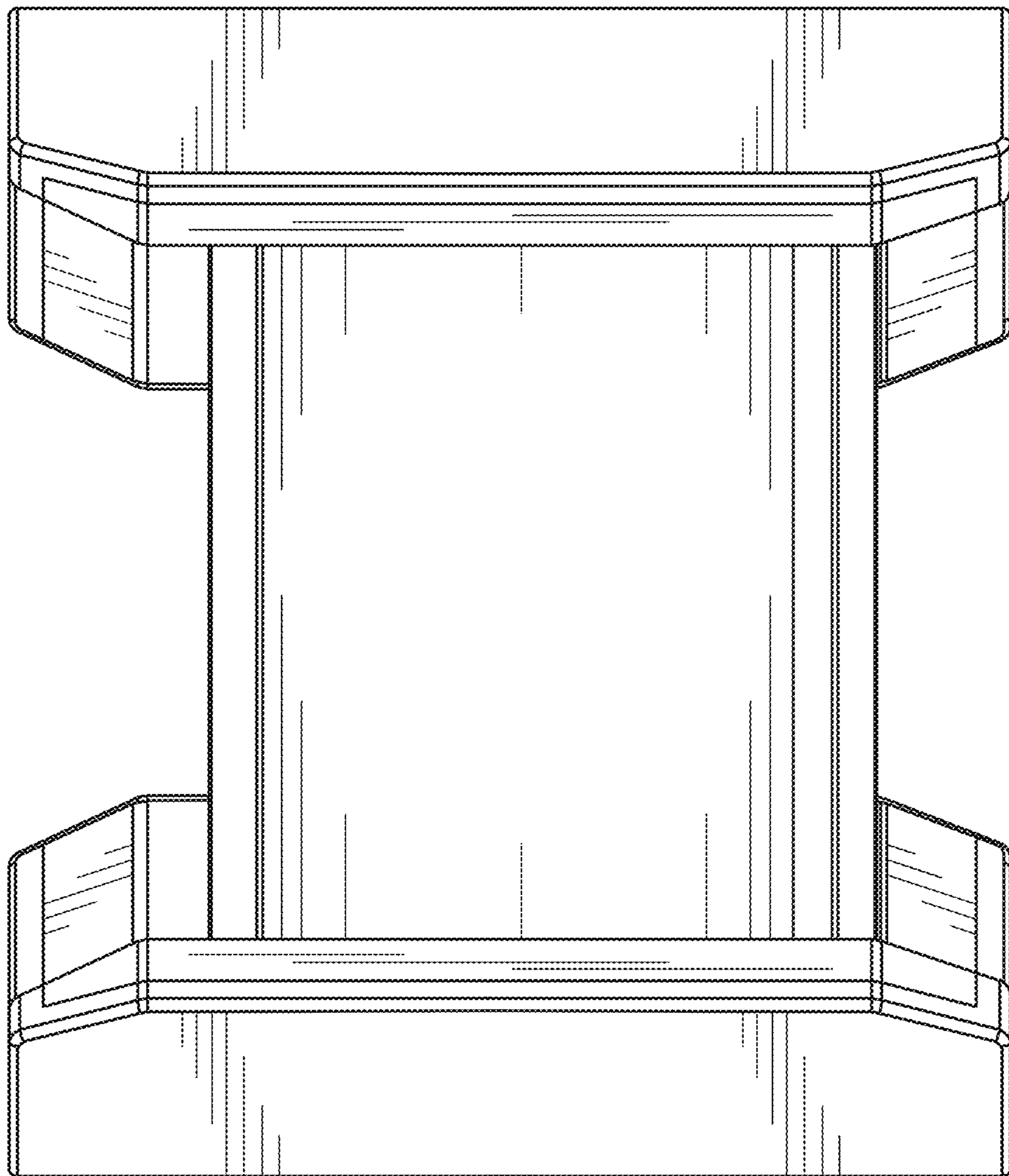


FIG. 3

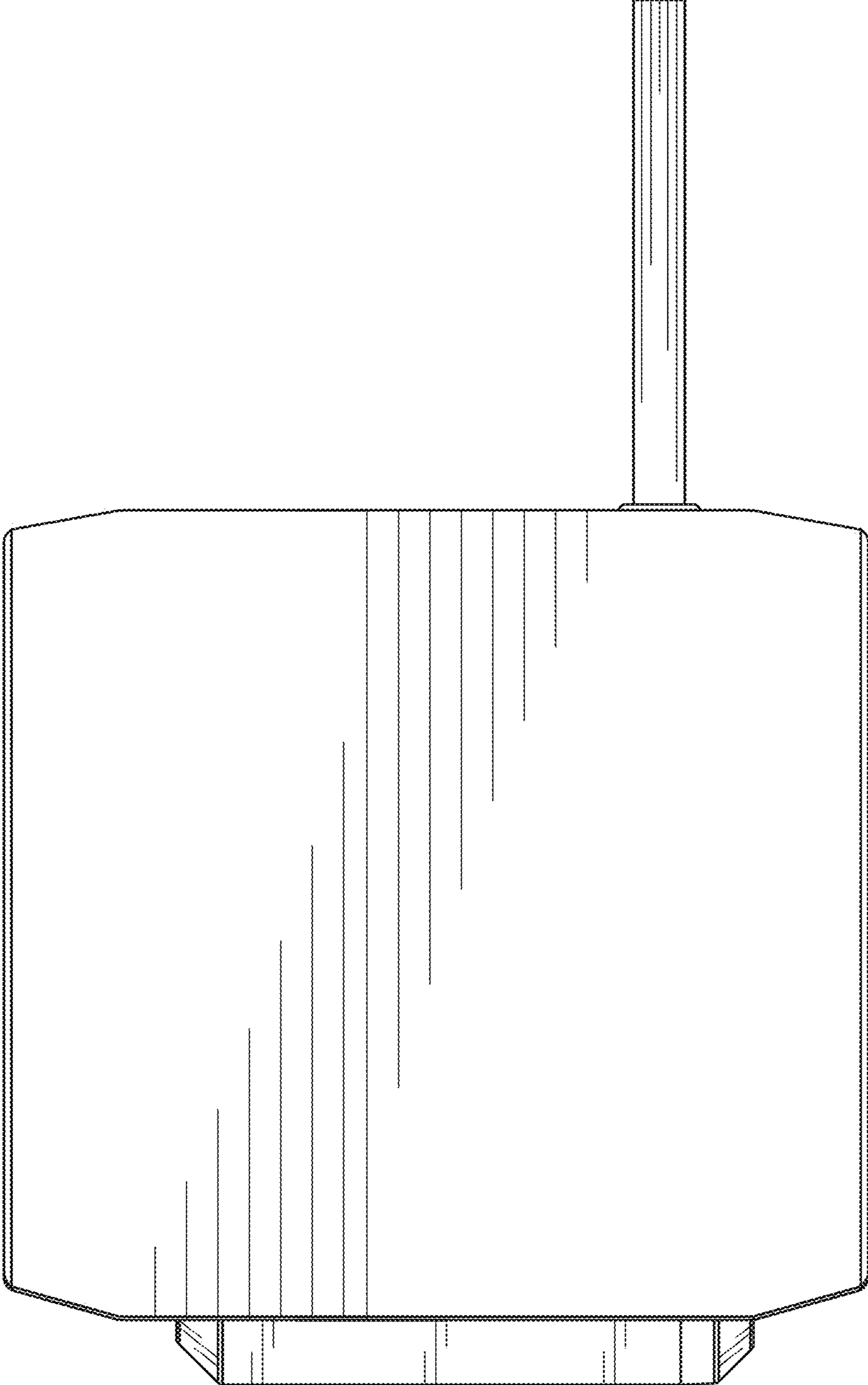


FIG. 4

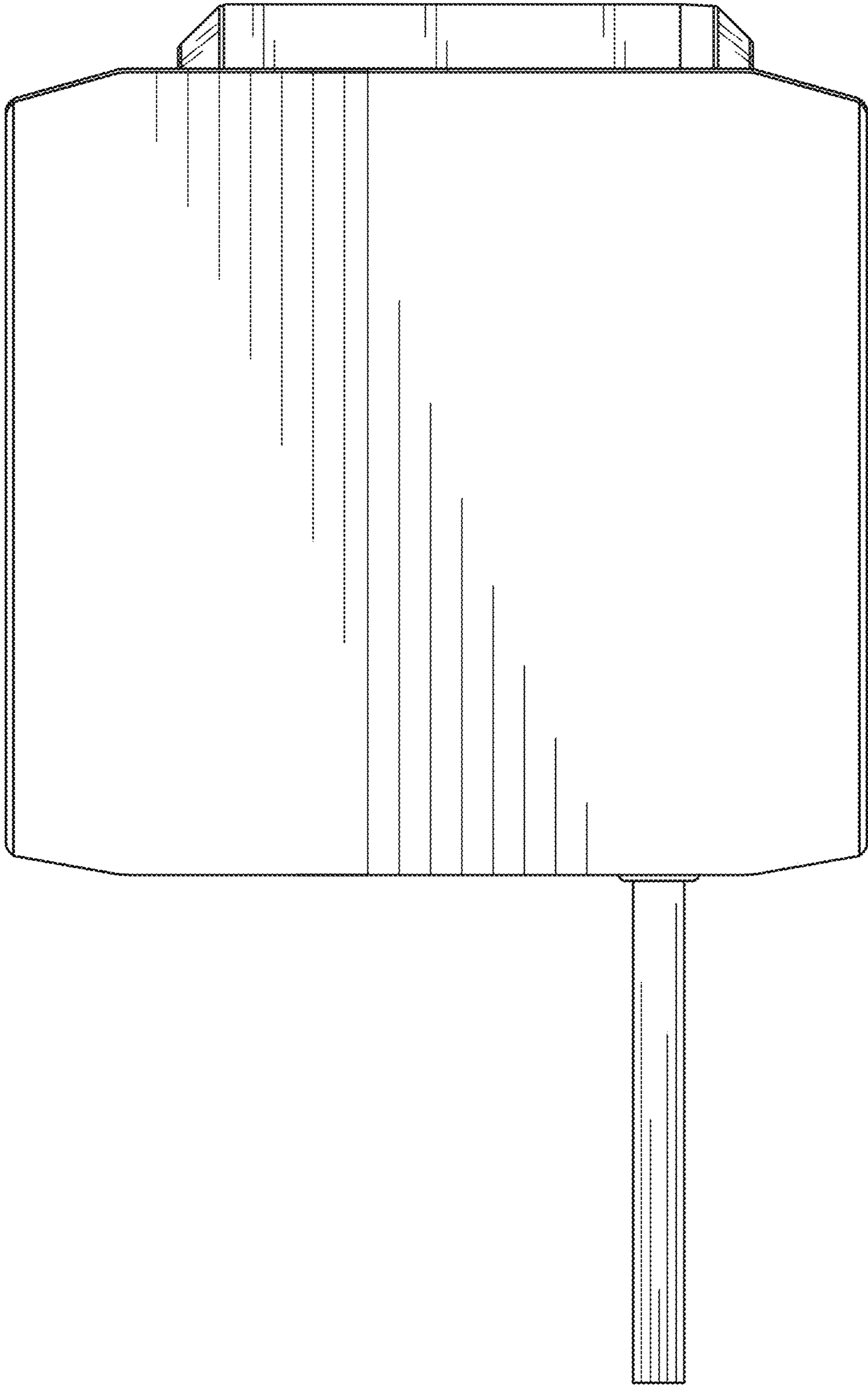


FIG. 5

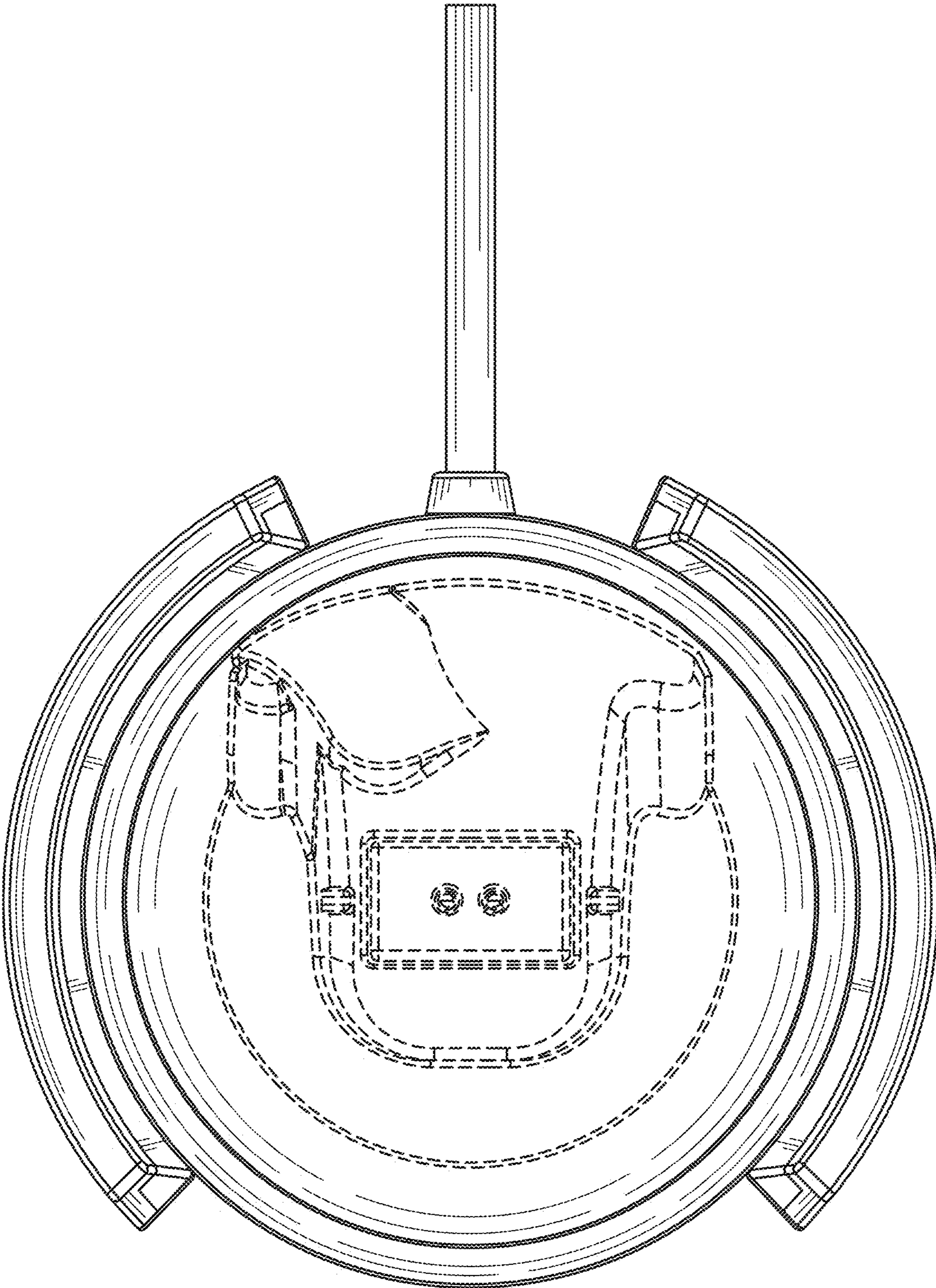


FIG. 6

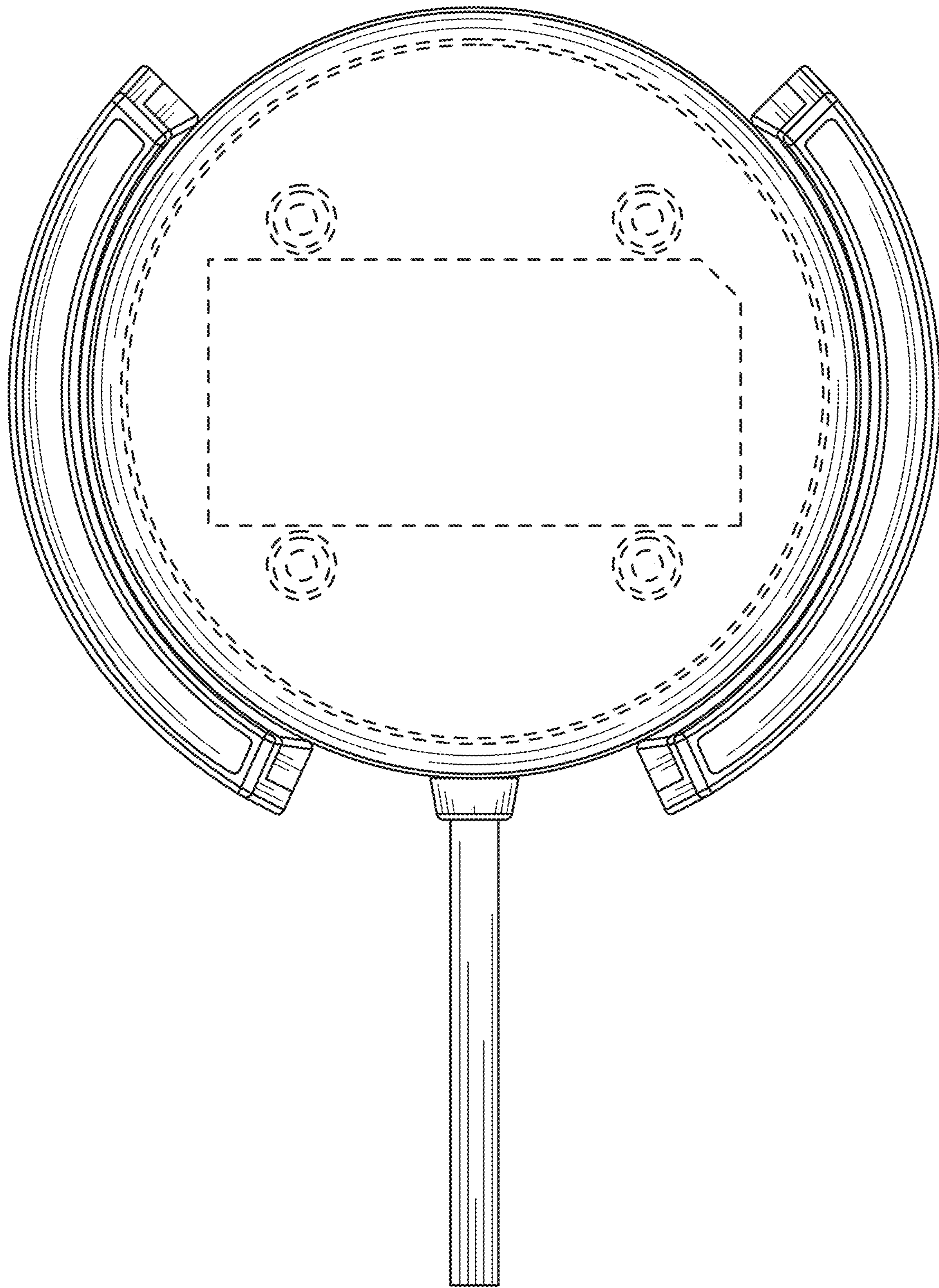


FIG. 7