



US00D941758S

(12) **United States Design Patent**  
**Abe**

(10) **Patent No.:** **US D941,758 S**  
(45) **Date of Patent:** **\*\* Jan. 25, 2022**

(54) **BATTERY CHARGER FOR A VACUUM CLEANER**

(71) Applicant: **IRIS OHYAMA INC.**, Sendai (JP)

(72) Inventor: **Takuya Abe**, Kakuda (JP)

(73) Assignee: **IRIS OHYAMA INC.**, Sendai (JP)

(\*\*) Term: **15 Years**

(21) Appl. No.: **29/670,581**

(22) Filed: **Nov. 16, 2018**

(30) **Foreign Application Priority Data**

May 17, 2018 (JP) ..... 2018-010850

(51) **LOC (13) Cl.** ..... **13-02**

(52) **U.S. Cl.**  
USPC ..... **D13/108**

(58) **Field of Classification Search**

USPC ..... D13/103, 107-110, 118, 119, 146, 147,  
D13/153, 155, 184, 199, 154; D32/31;  
D8/356, 358

CPC ..... Y02E 60/12; H02J 7/025; H02J 7/0042;  
H02J 7/0044; H02J 7/0045; H02J 7/0003;  
H02J 7/0027; H02J 7/0013; H02J 7/0054;  
H02J 7/00; H02J 2001/008; H02J 3/32;  
H02J 3/008; H01F 38/14; H01R 13/6675;  
H01M 2/1022; H01M 2/1055; H01M  
10/44; H01M 10/46; H01M 10/425; B60L  
11/182; B60L 11/1809; B60L 11/1861;  
B60R 16/03; H04R 1/10

See application file for complete search history.

(56) **References Cited**

U.S. PATENT DOCUMENTS

D628,961 S \* 12/2010 Kim ..... D13/108  
D692,376 S \* 10/2013 Palmer ..... D13/108

(Continued)

FOREIGN PATENT DOCUMENTS

JP 1015382 S 7/1998  
JP 2007-190110 A 8/2007  
JP 1530305 S 8/2015

OTHER PUBLICATIONS

Amazon.co.jp: Iris Ohyama IC-SLDCP12 High Performance Stick Cleaner Renewal with Mop Stand. Date First Available of May 21, 2020. Retrieved from the internet at <https://www.amazon.co.jp/dp/B088Z2J15L/>, Dec. 15, 2020. 1 page. (Year: 2020).\*

(Continued)

*Primary Examiner* — Christy Nemeth

(74) *Attorney, Agent, or Firm* — Studebaker & Brackett PC

(57) **CLAIM**

The ornamental design for a battery charger for a vacuum cleaner, as shown and described.

**DESCRIPTION**

FIG. 1 is a front, top and right-side perspective view of a battery charger for a vacuum cleaner showing my new design;

FIG. 2 is a front view thereof;

FIG. 3 is a rear view thereof;

FIG. 4 is a top view thereof;

FIG. 5 is a bottom view thereof;

FIG. 6 is a right-side view thereof;

FIG. 7 is a left-side view thereof;

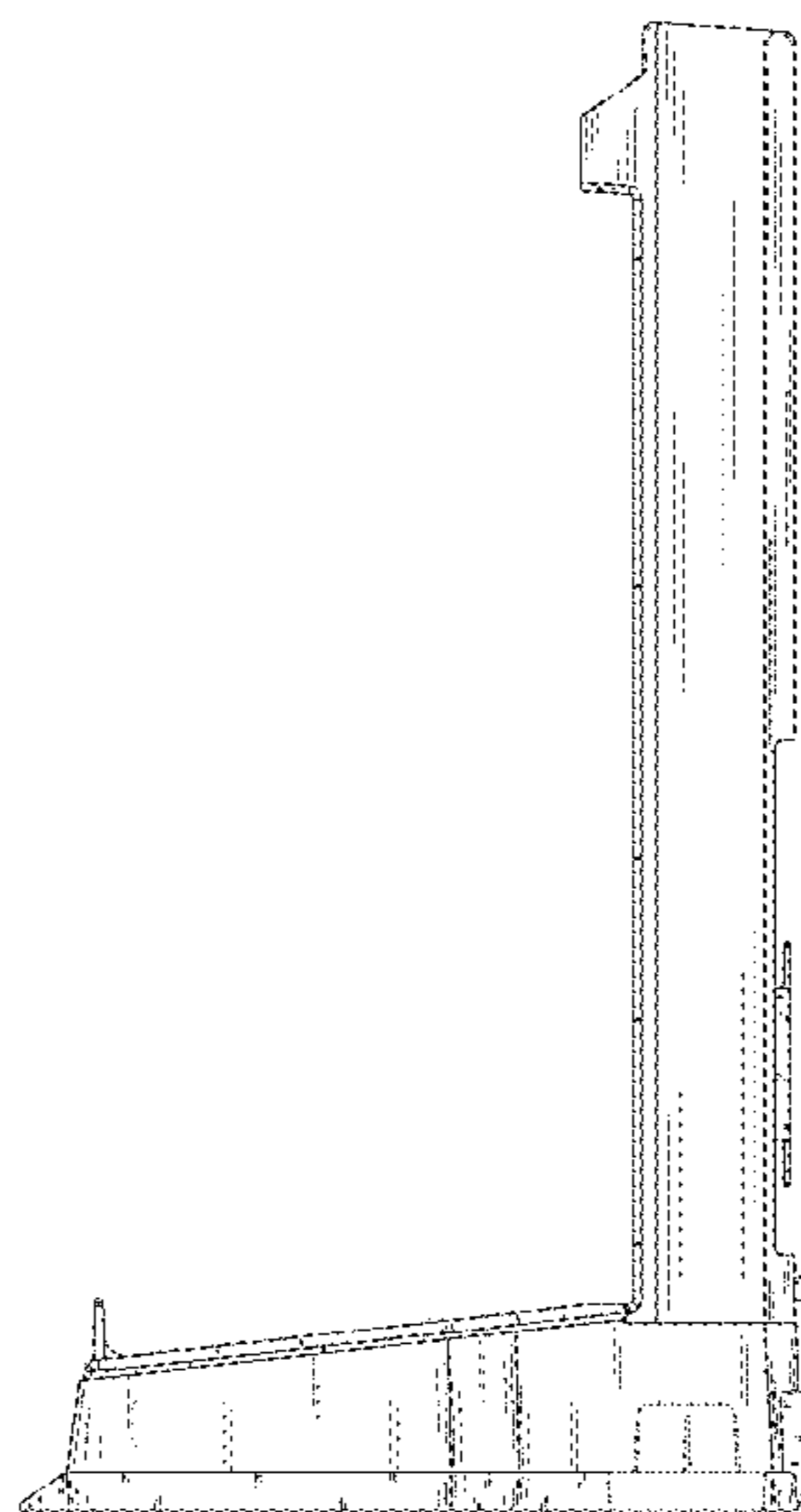
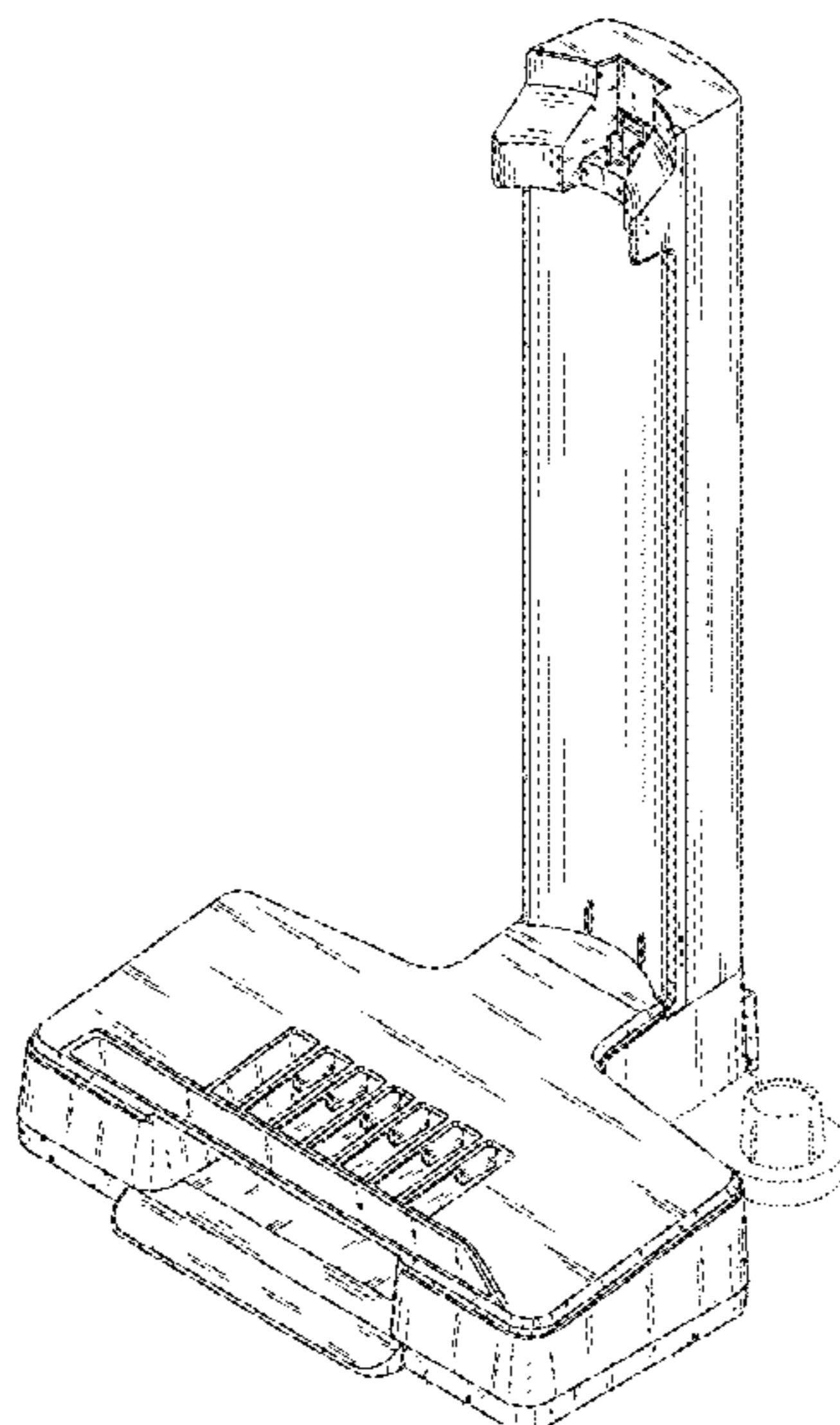
FIG. 8 is a sectional view taken along line 8-8 in FIG. 2;

FIG. 9 is a sectional view taken along line 9-9 in FIG. 4; and,

FIG. 10 is a perspective view shown in a state of use.

The dash-dash broken lines shown illustrate both environment and portions of the battery charger for a vacuum cleaner that form no part of the claimed design. The dash-dot broken lines represent the bounds of the claimed design and form no part of the claimed design.

**1 Claim, 10 Drawing Sheets**



(56)

**References Cited**

U.S. PATENT DOCUMENTS

D788,080 S *	5/2017	Turksu .....	D14/224
D826,849 S *	8/2018	Maibach .....	D13/108
D837,144 S *	1/2019	Nam .....	D13/107
D837,150 S *	1/2019	Naslund .....	D13/108
D847,740 S *	5/2019	Yamanouchi .....	D13/108
D872,396 S *	1/2020	Miyawaki .....	D32/22
D884,623 S *	5/2020	Zheng .....	D13/108
D896,750 S *	9/2020	Tokoi .....	D13/108

OTHER PUBLICATIONS

An Office Action issued by the Japanese Patent Office dated Jan. 8, 2019, which corresponds to Japanese Design Application No. 2018-010850 and is related to U.S. Appl. No. 29/670,581; with English language concise explanation.

\* cited by examiner

FIG. 1

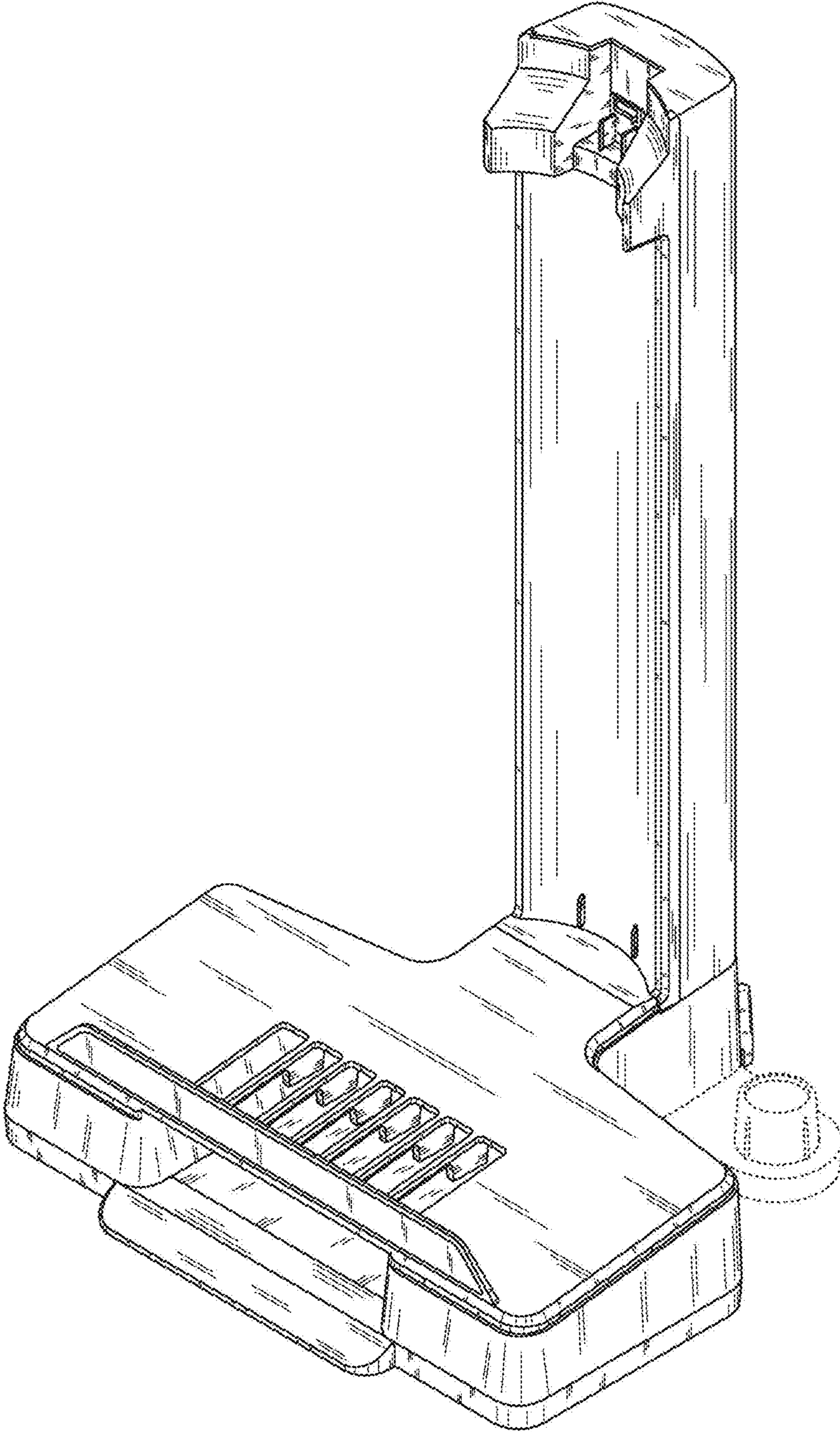
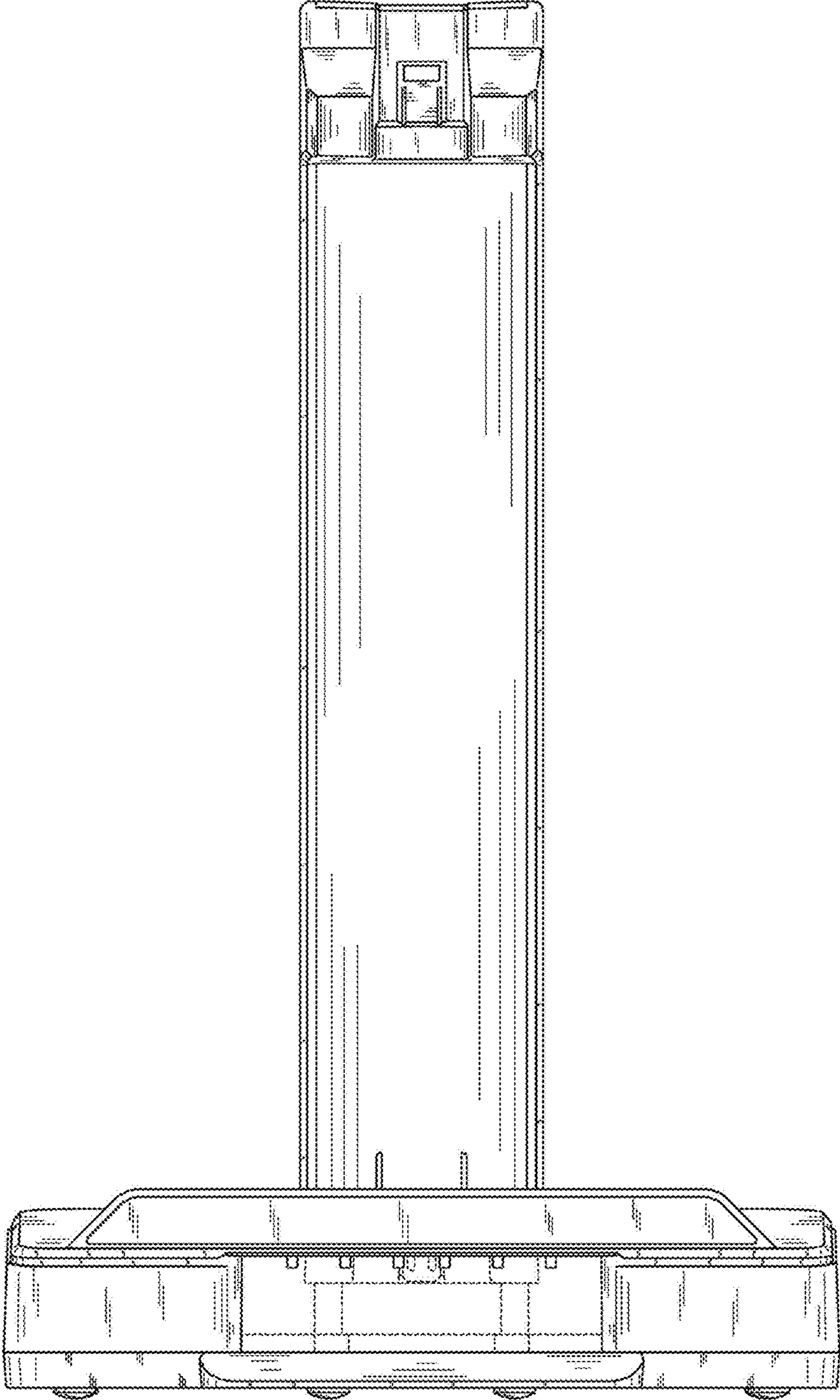




FIG.2

8 ↖



8 ↖

FIG. 3

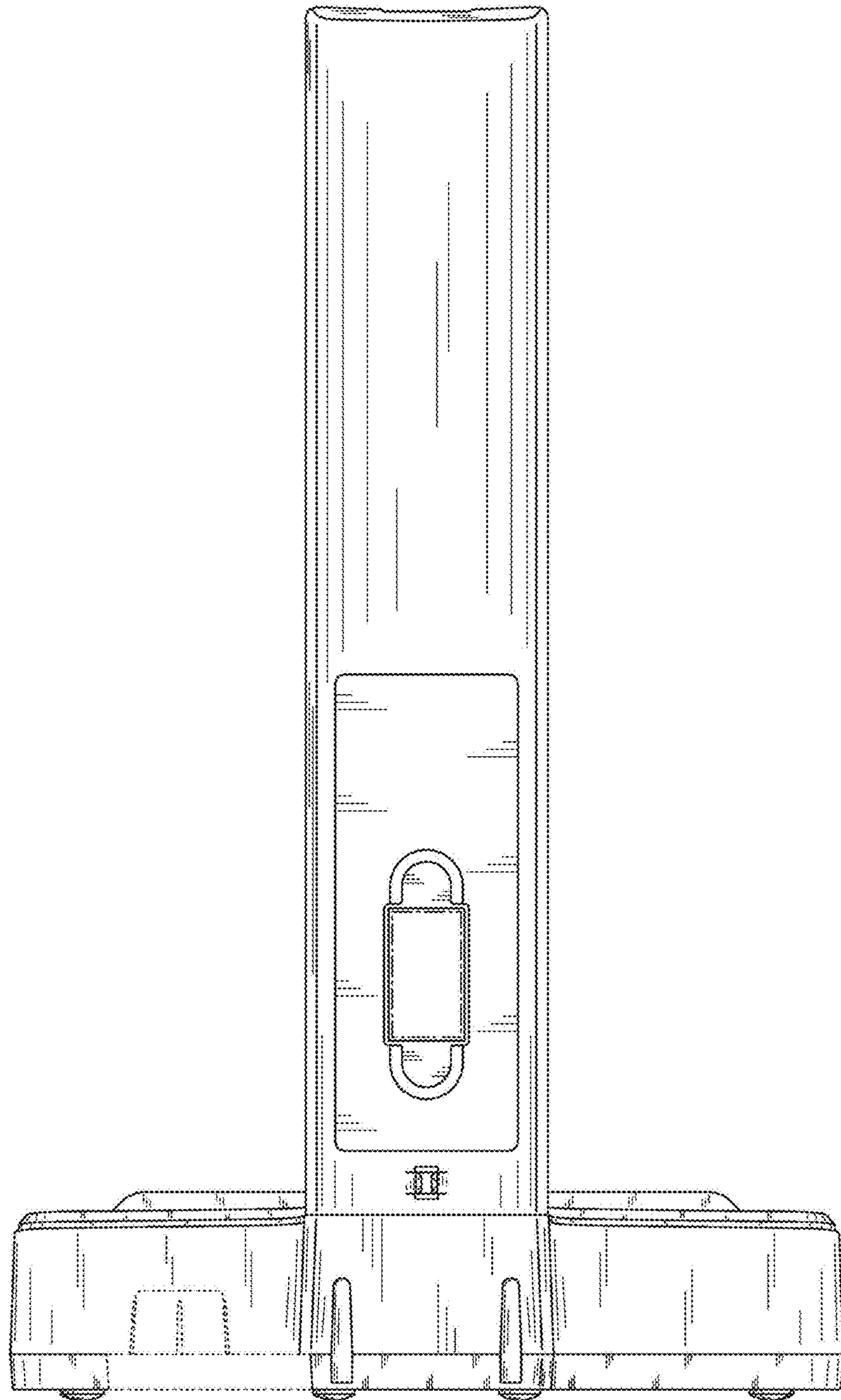


FIG.4

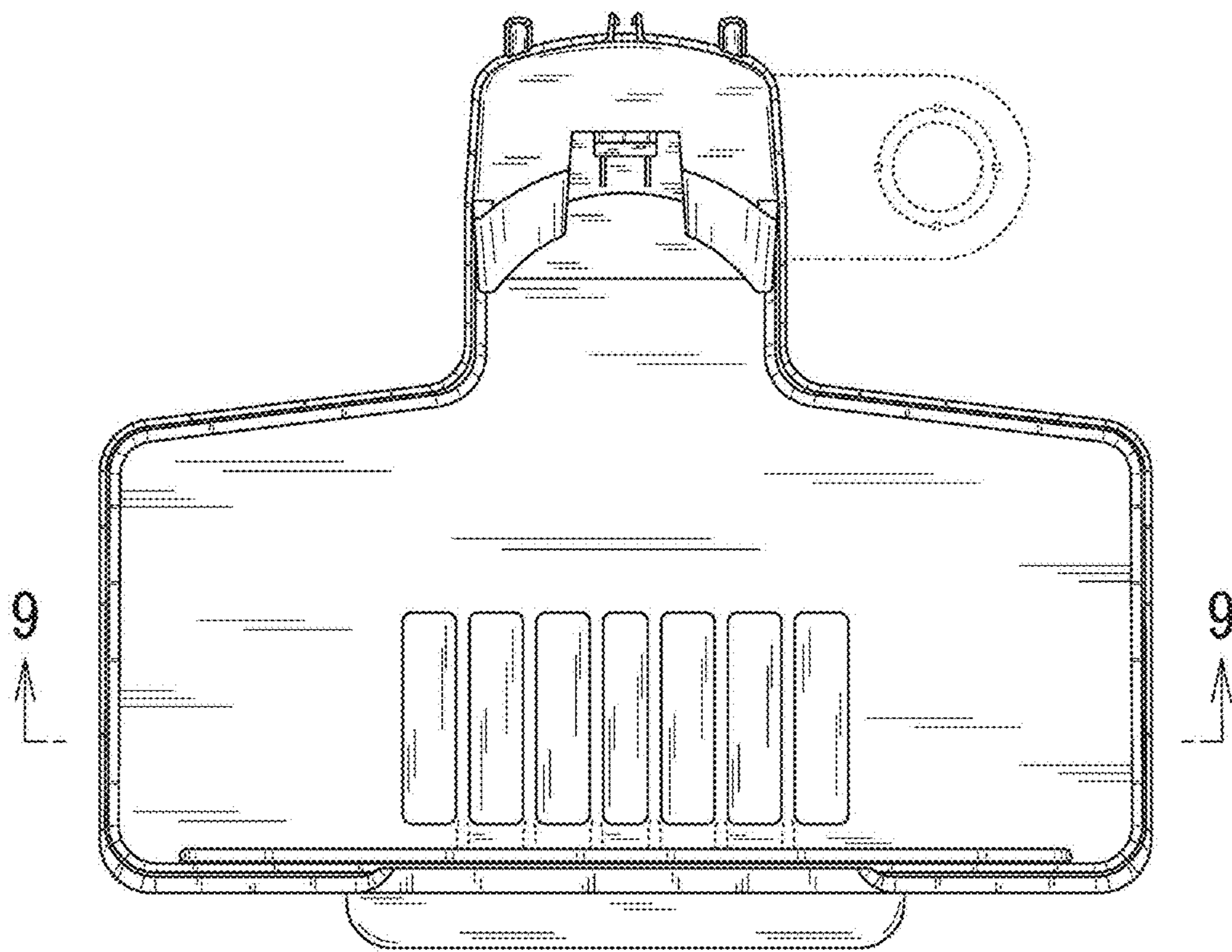


FIG.5

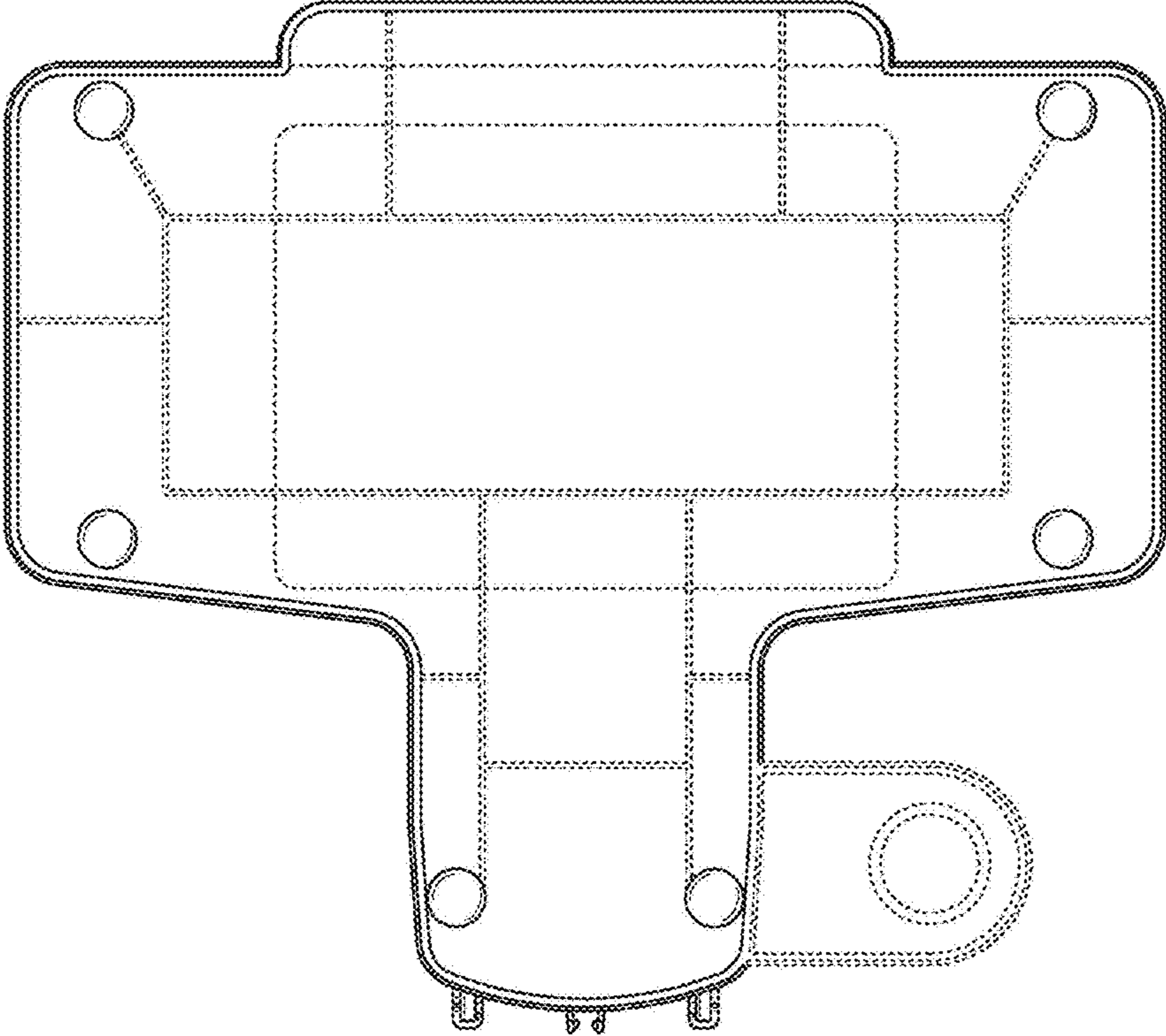


FIG.6

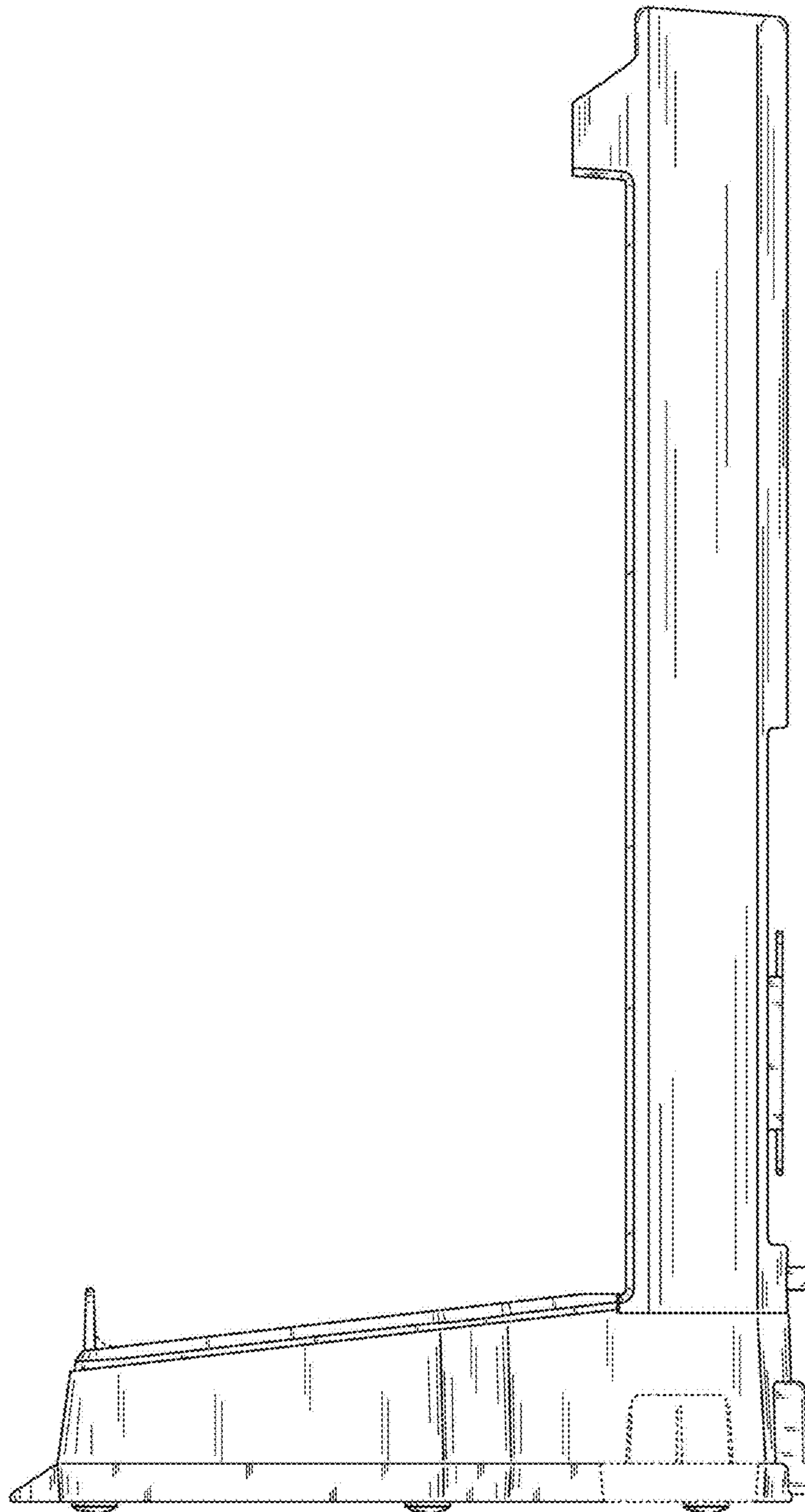




FIG.7

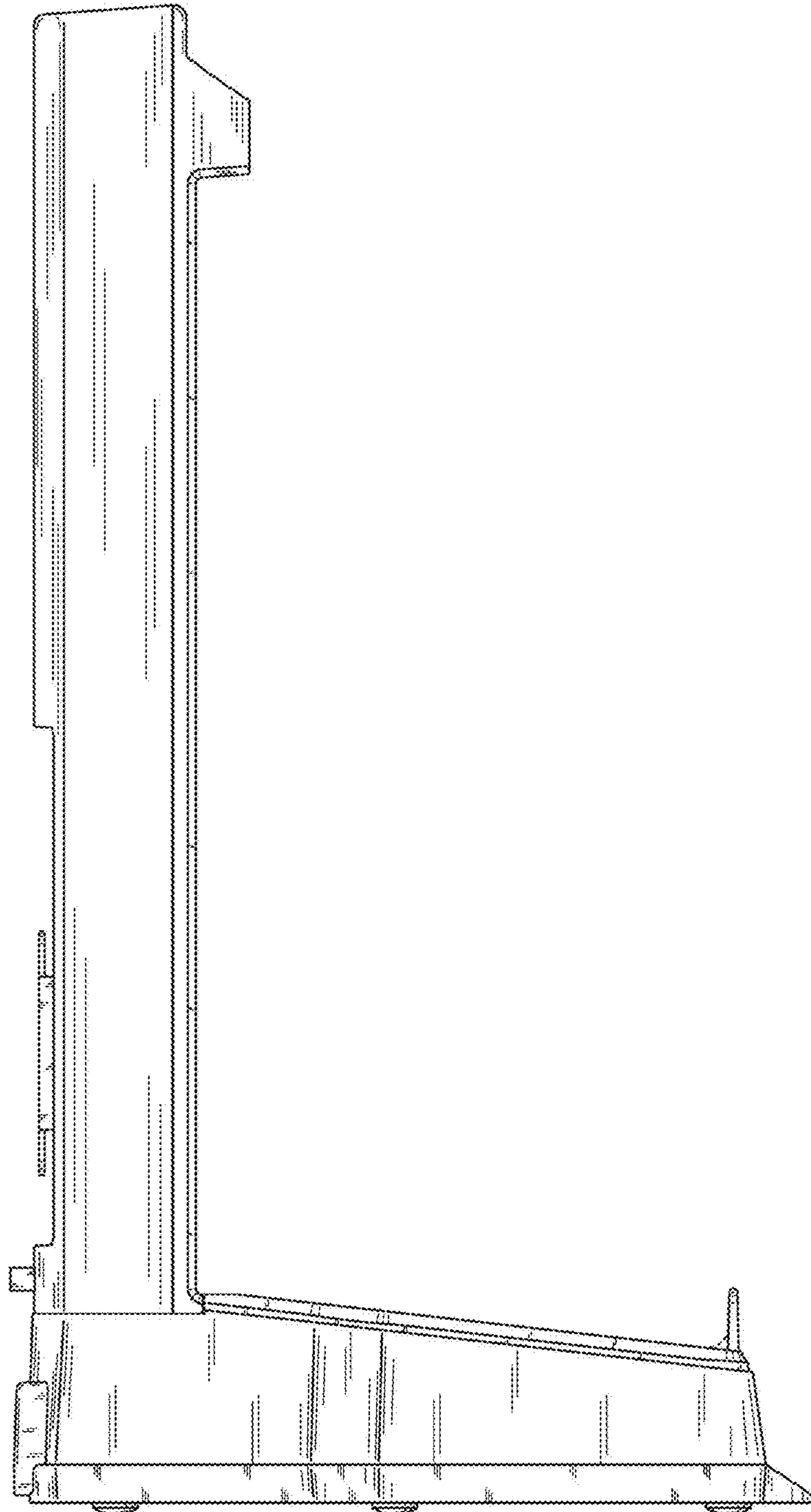


FIG.8

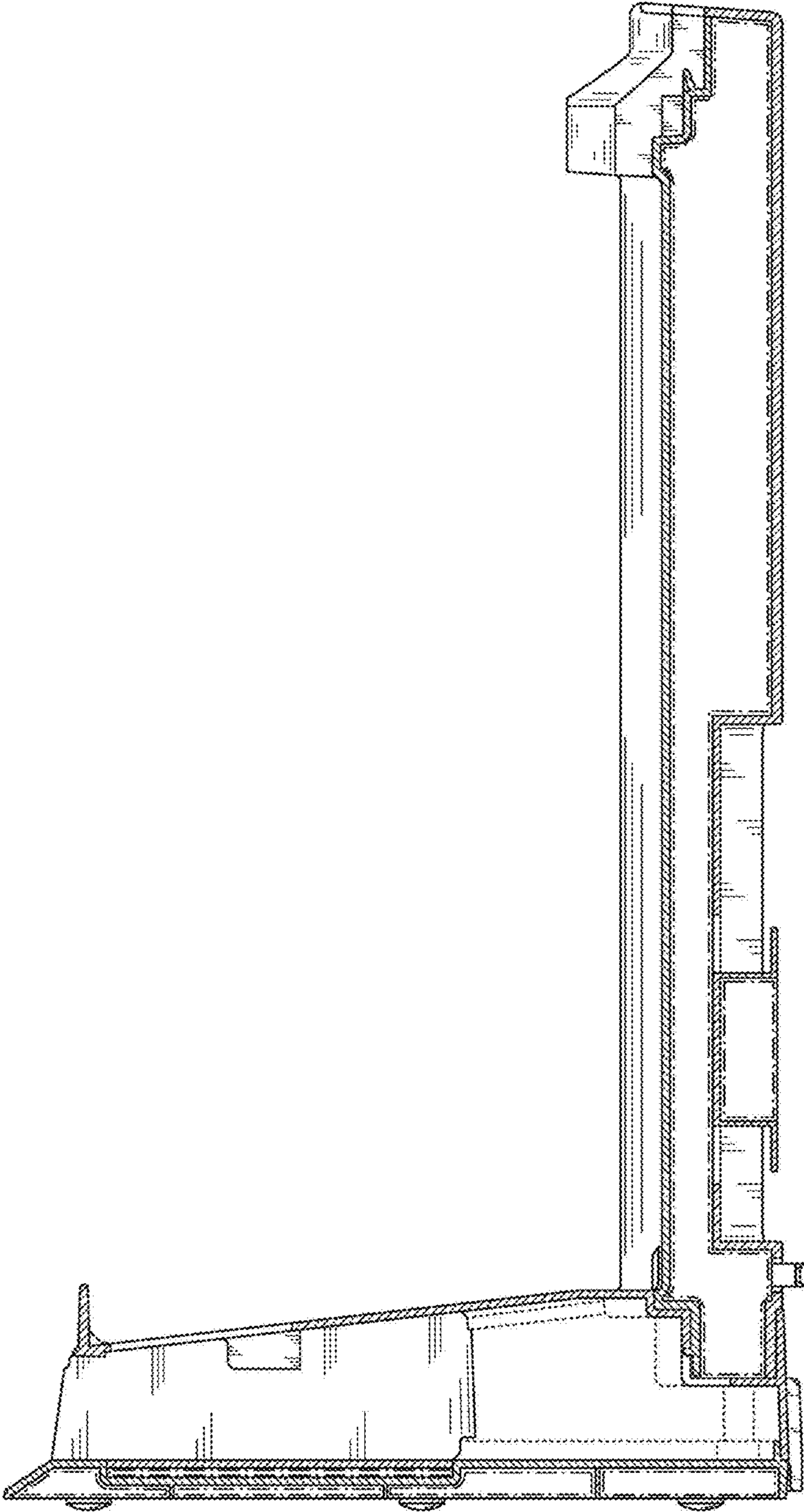


FIG.9

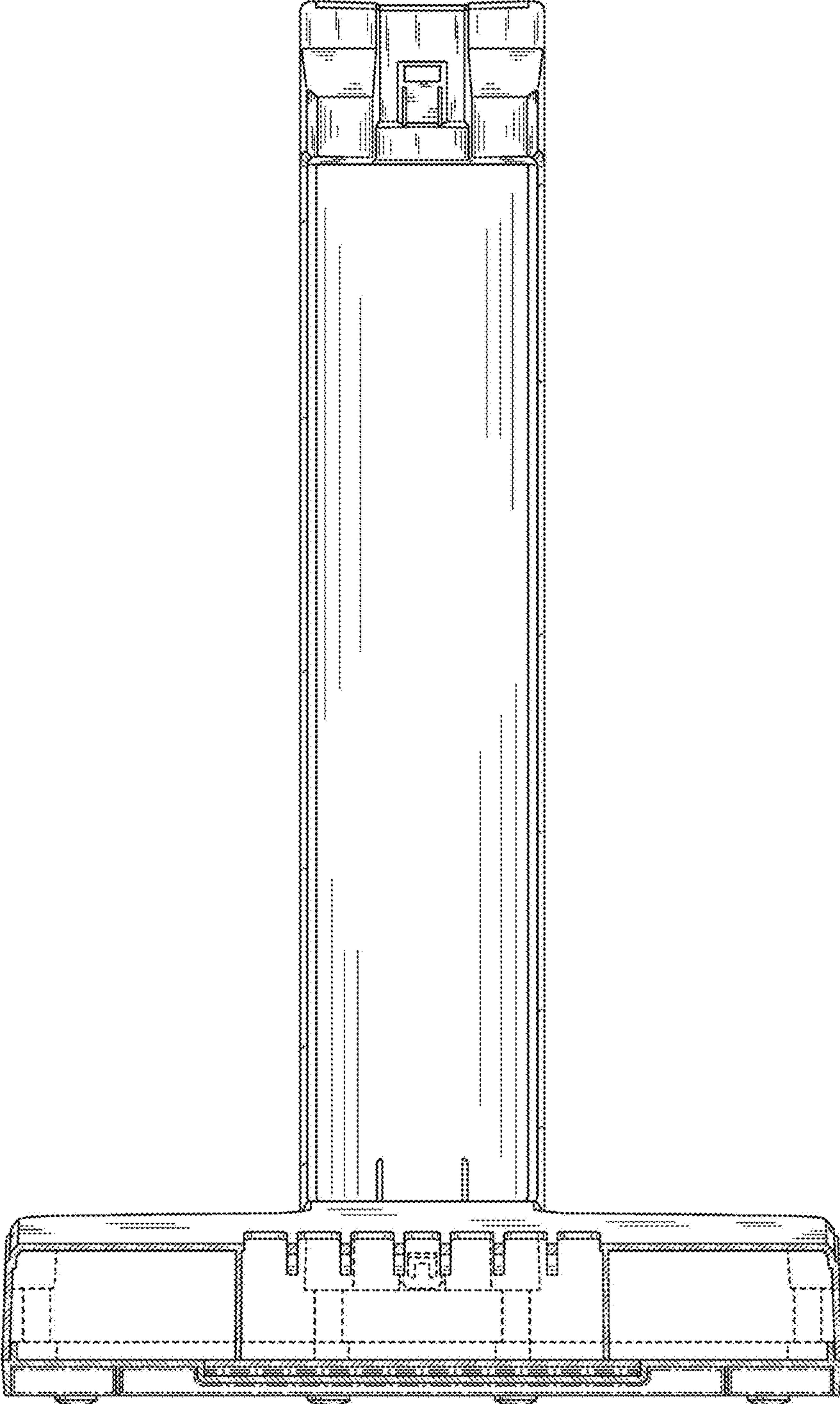


FIG. 10

