



US00D941756S

(12) **United States Design Patent**
Choi

(10) **Patent No.:** **US D941,756 S**
(45) **Date of Patent:** **** Jan. 25, 2022**

(54) **POWER STATION**

(71) Applicant: **ENERCAMP Co., Ltd.**, Daegu (KR)

(72) Inventor: **Jungsub Choi**, Daegu (KR)

(73) Assignee: **ENERCAMP Co., Ltd.**, Daegu (KR)

(**) Term: **15 Years**

(21) Appl. No.: **29/719,900**

(22) Filed: **Jan. 8, 2020**

(30) **Foreign Application Priority Data**

Jul. 12, 2019 (KR) 30-2019-0033599

(51) **LOC (13) Cl.** **13-02**

(52) **U.S. Cl.**
USPC **D13/107**; D13/110

(58) **Field of Classification Search**
USPC D13/103, 106, 107, 108, 109, 110, 112,
D13/116, 118, 119, 184, 199; D14/432,
D14/433, 434

CPC H02J 7/0027; F02N 11/12; H05K 5/00
See application file for complete search history.

(56) **References Cited**

U.S. PATENT DOCUMENTS

D330,187 S *	10/1992	Shimoo	D13/107
5,220,269 A *	6/1993	Chen	H02J 7/0042
				224/902
D528,978 S *	9/2006	Trosper, Jr.	D13/107
D559,176 S *	1/2008	Ueda	D13/107
D674,748 S *	1/2013	Ferber	D13/108
D675,156 S *	1/2013	Vandiver	D13/108
D742,310 S *	11/2015	Yen	D13/108
D821,306 S *	6/2018	Liu	D13/107
D832,781 S *	11/2018	Nook	D13/107
D871,334 S *	12/2019	Chen	D13/110
D903,585 S *	12/2020	Rustill	D13/107
2016/0153626 A1 *	6/2016	Ozaka	H02J 7/342
				362/86
2020/0412918 A1 *	12/2020	Hamada	H01M 50/247

OTHER PUBLICATIONS

“Enercamp Car Battery”. Found online May 20, 2021 at facebook.com. Reference dated Oct. 24, 2019. Retrieved from https://www.facebook.com/enercampinc/posts/2729127310450952?_tn_=-R. (Year: 2019).*

“Jump&Go Portable Car Battery Jump Starter”. Found online May 20, 2021 at amazon.com. Reference dated Feb. 6, 2018. Retrieved from https://www.amazon.com/JUMP-GO-000mAh-Portable-Starter/dp/B079NQV79Z/ref=pd_lpo_263_t_1/132-9804480-5734033. (Year: 2018).*

“BEATIT Jump Starter”. Found online May 20, 2021 at amazon.com. Reference dated Dec. 24, 2018. Retrieved from https://www.amazon.com/BEATIT-21000mAh-Portable-Inverter-BP101/dp/B07M9M86JM/ref=psdc_318336011_t5_B084BWGWY. (Year: 2018).*

* cited by examiner

Primary Examiner — Kendra Leslie Hamilton

Assistant Examiner — Amanda Christensen

(74) *Attorney, Agent, or Firm* — Novick, Kim & Lee, PLLC; Jae Youn Kim; Hyun Woo Shin

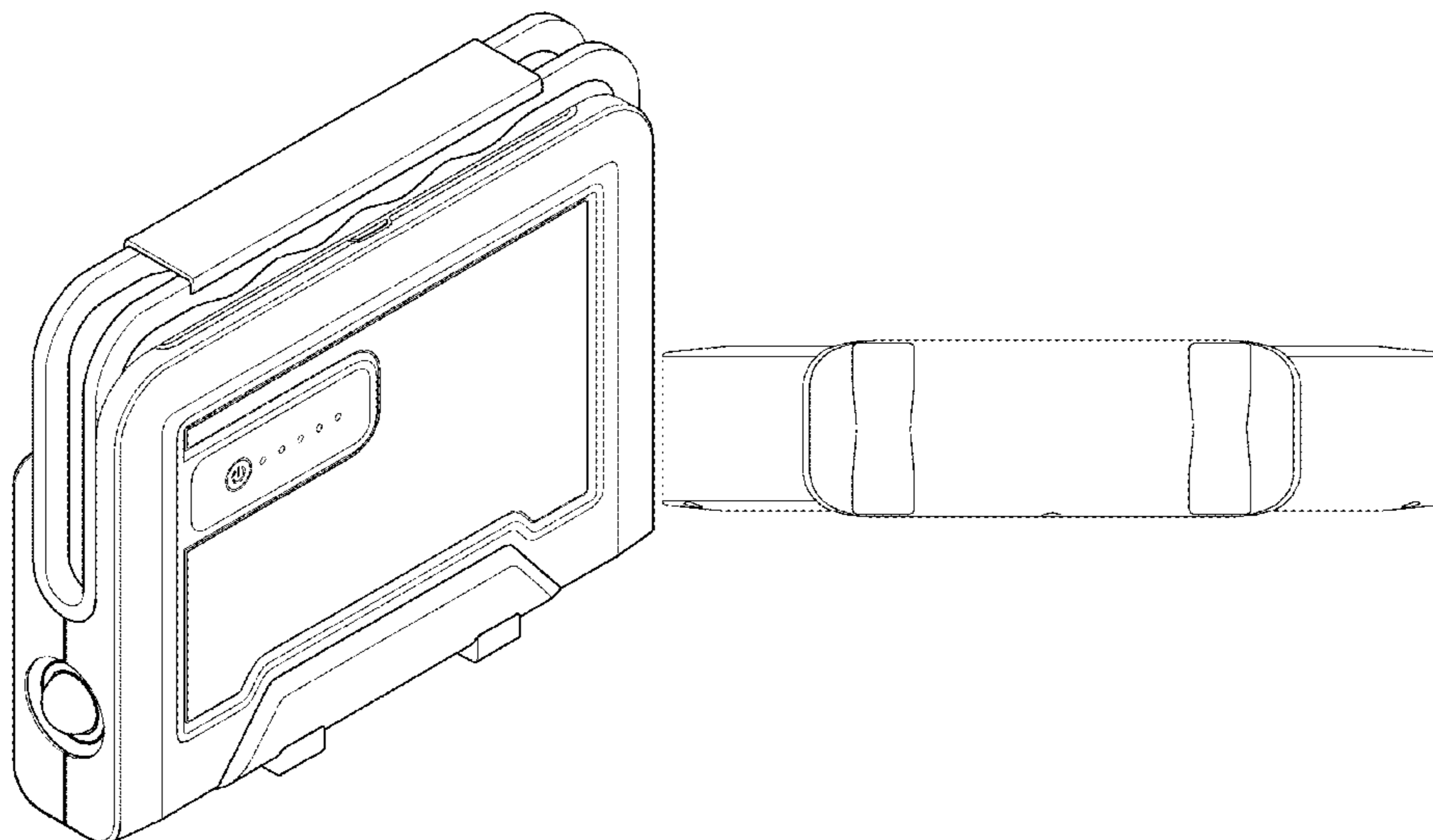
(57) **CLAIM**

I claim, the ornamental design for a power station, as shown and described.

DESCRIPTION

FIG. 1 is a front, top perspective view of a power station, showing my new design;
FIG. 2 is a front elevational view thereof;
FIG. 3 is a rear elevational view thereof;
FIG. 4 is a left side elevational view thereof;
FIG. 5 is a right side elevational view thereof;
FIG. 6 is a top plan view thereof;
FIG. 7 is a bottom plan view thereof; and,
FIG. 8 is a rear, bottom perspective view thereof.

1 Claim, 7 Drawing Sheets



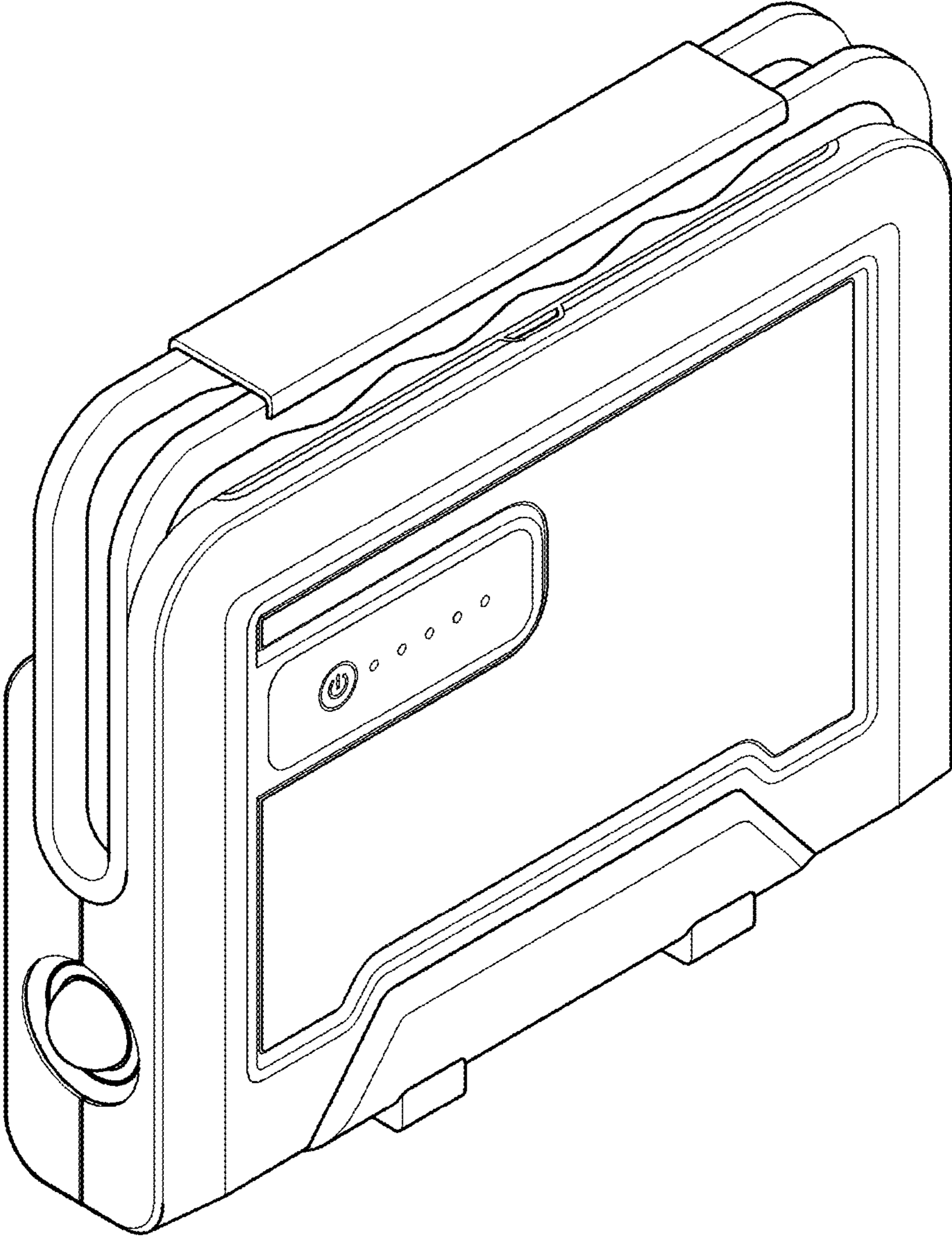


FIG. 1

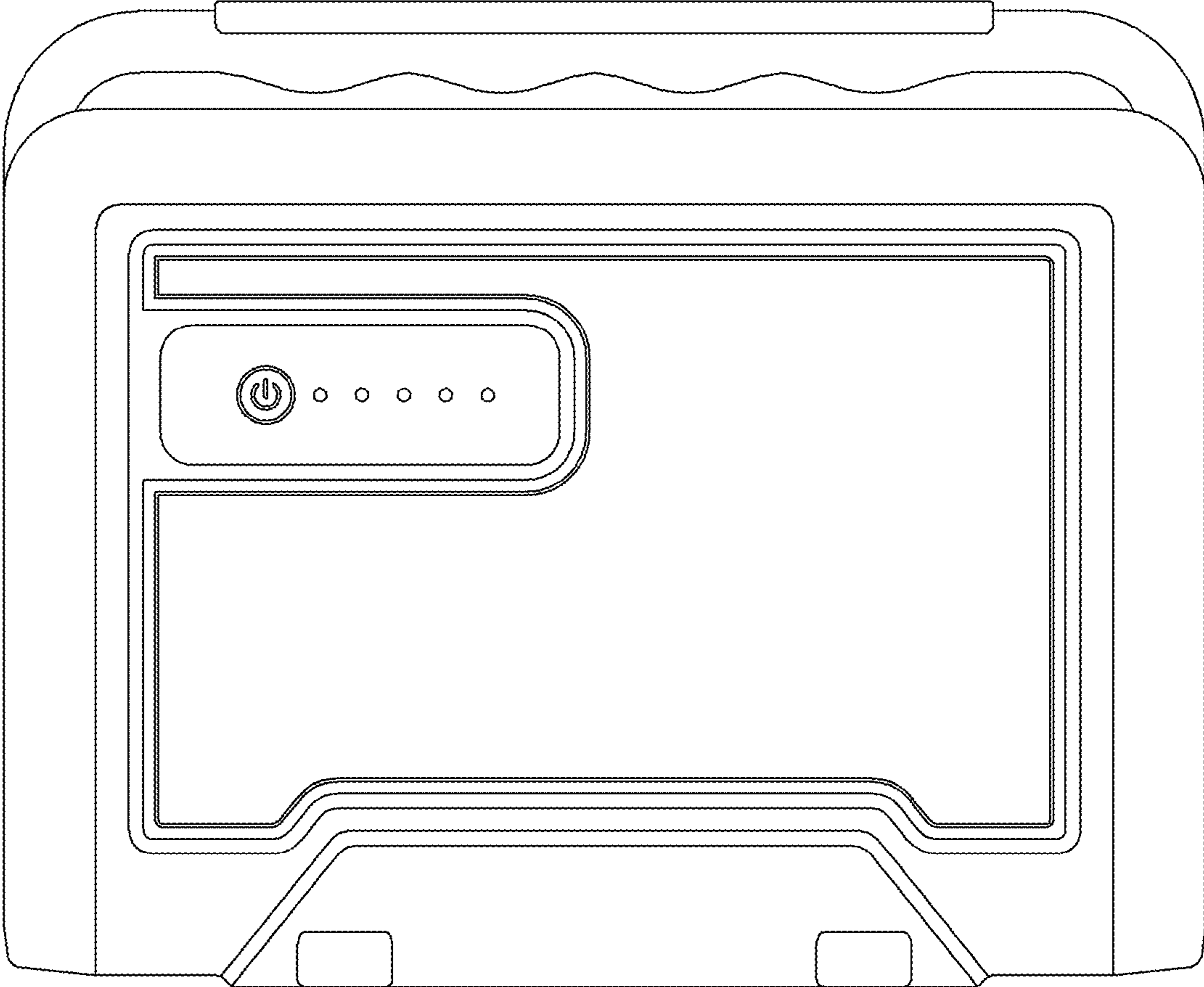


FIG. 2

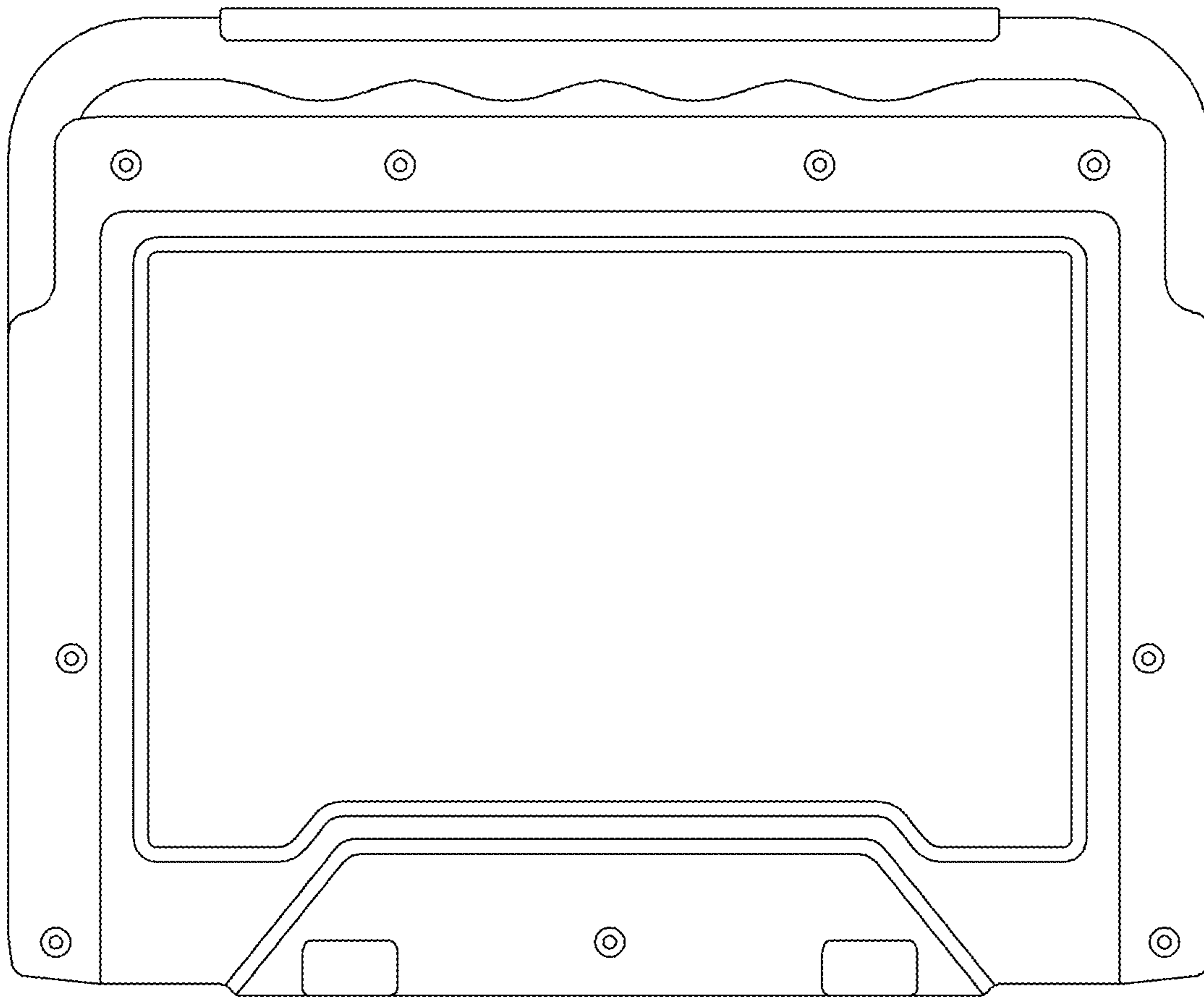


FIG. 3

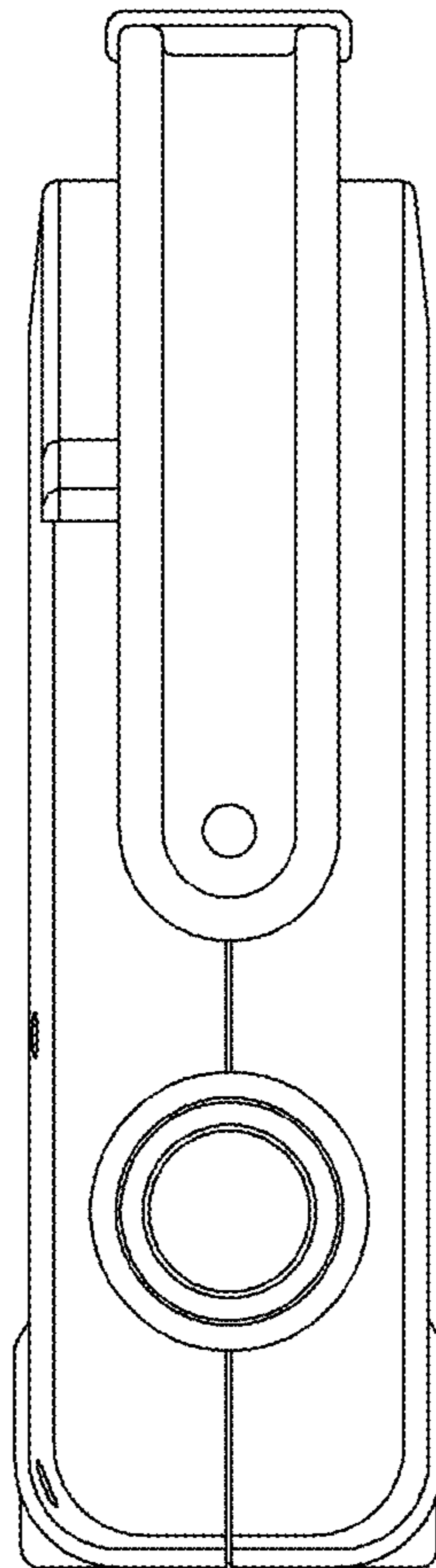


FIG. 4

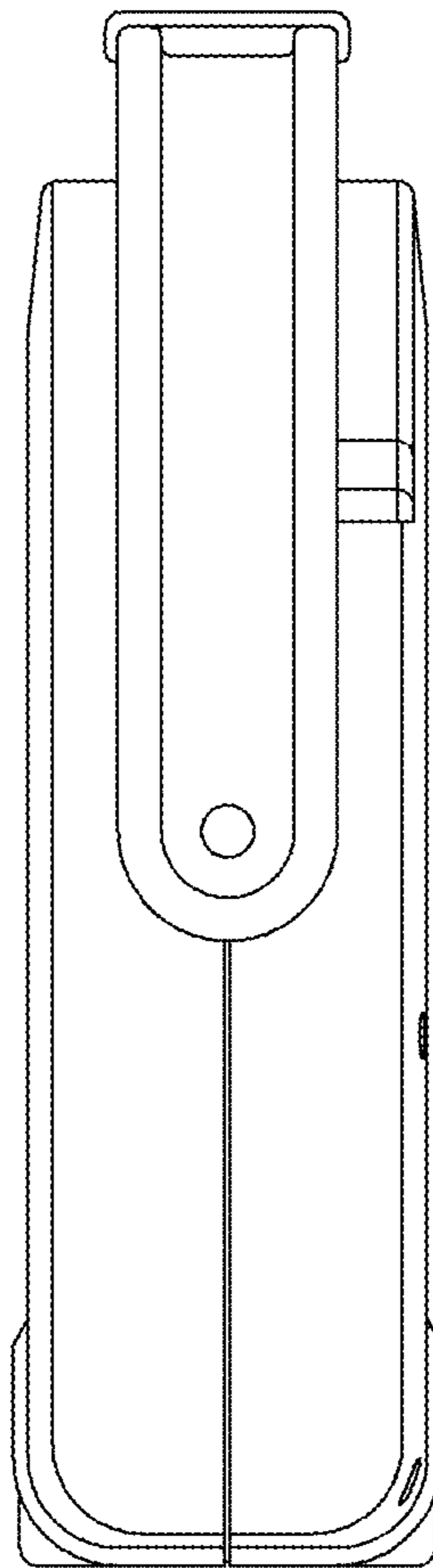


FIG. 5

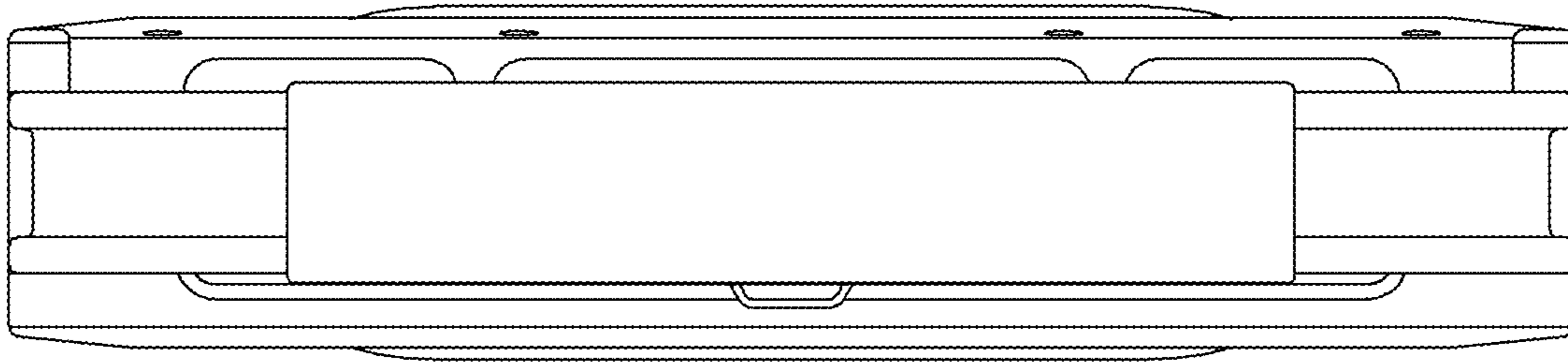


FIG. 6

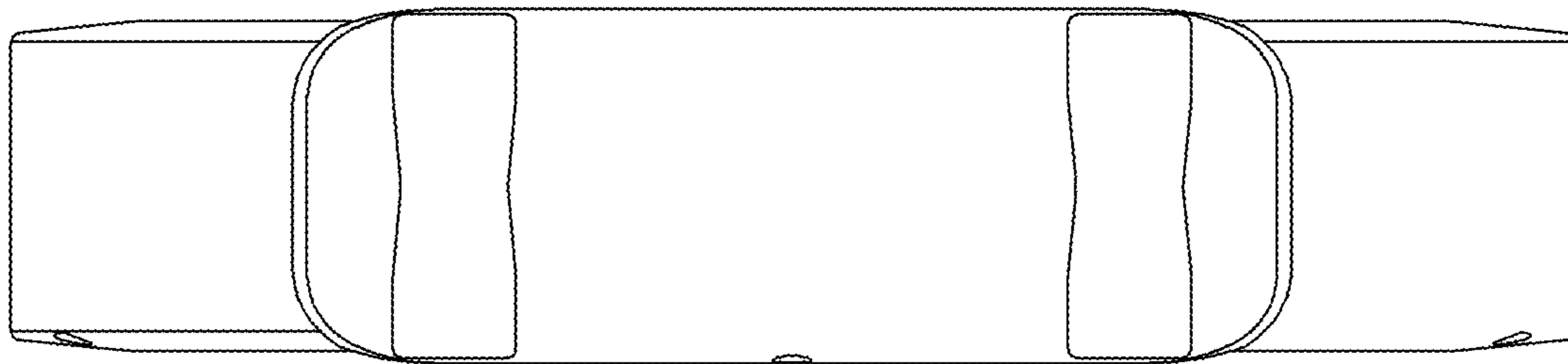


FIG. 7

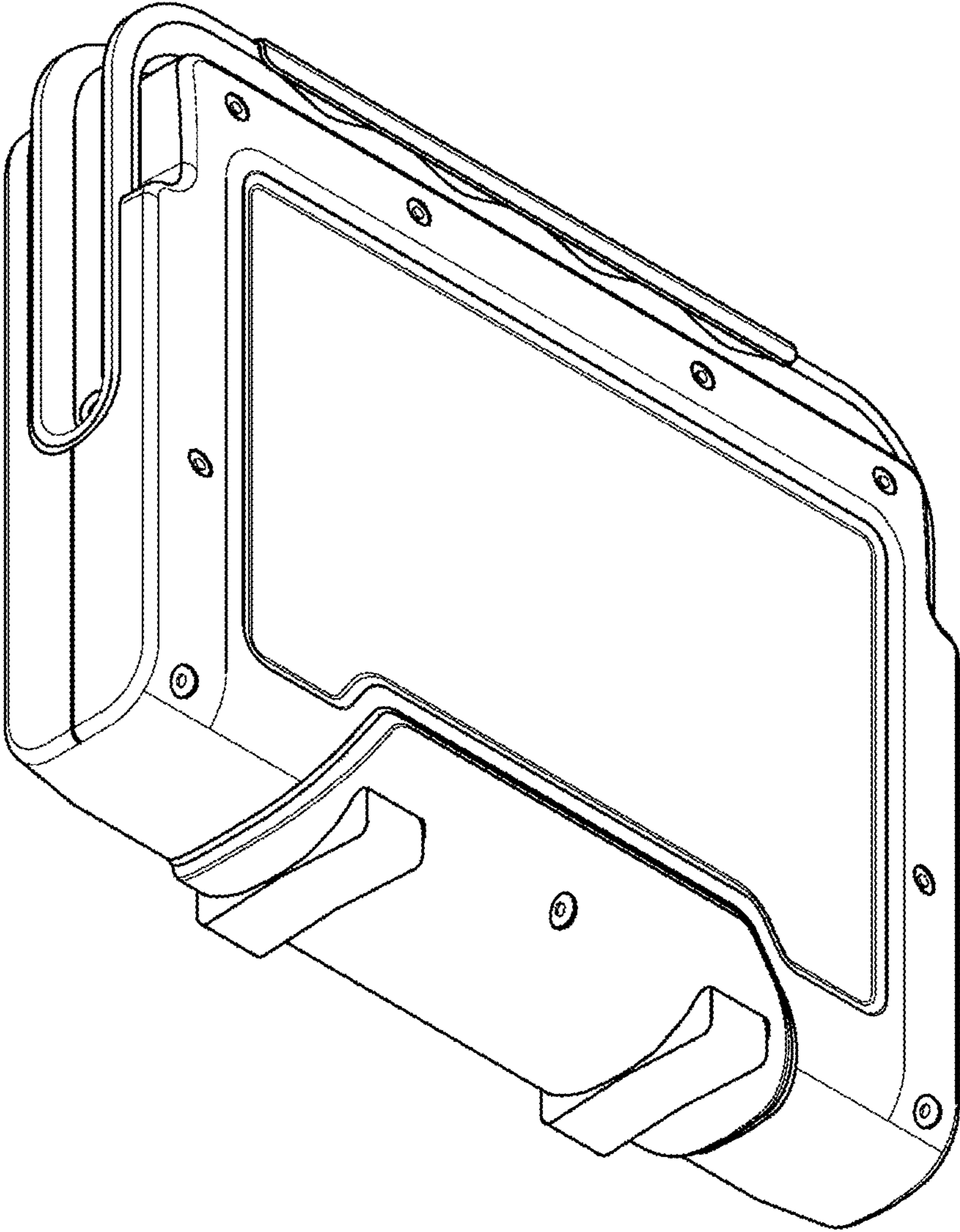


FIG. 8