



US00D941754S

(12) **United States Design Patent**
Schmidt

(10) **Patent No.:** **US D941,754 S**
(45) **Date of Patent:** **** Jan. 25, 2022**

(54) **WALLBOX AND POWER OUTLET**

(71) Applicant: **Weidmüller Interface GmbH & Co. KG**, Detmold (DE)

(72) Inventor: **Klaus Schmidt**, Duisburg (DE)

(73) Assignee: **Weidmüller Interface GmbH & Co. KG**

(**) Term: **15 Years**

(21) Appl. No.: **29/707,165**

(22) Filed: **Sep. 26, 2019**

(30) **Foreign Application Priority Data**

Mar. 29, 2019 (EM) 006352753

(51) **LOC (13) Cl.** **13-02**

(52) **U.S. Cl.**
USPC **D13/107**

(58) **Field of Classification Search**
USPC D13/103, 107-110, 118-119, 184, 199
CPC H02J 7/02; H02J 7/14; H02J 7/1438; H02J 7/342; H02J 7/345; H02J 7/00; H02J 7/0026; H02J 7/0027; H02J 7/0042; H02J 7/0044; H02J 7/0045; H02J 7/0013; H02J 7/0003; H02J 2310/00; H02J 2310/40; H02J 2310/48

See application file for complete search history.

(56) **References Cited**

U.S. PATENT DOCUMENTS

D626,063 S * 10/2010 Cutter D13/107
D628,960 S * 12/2010 Shimizu D13/107
D632,645 S * 2/2011 Blain D13/107

D651,561 S * 1/2012 Petrie D13/107
D652,791 S * 1/2012 Petrie D13/107
D655,242 S * 3/2012 Holthusen D13/107
D665,344 S * 8/2012 Petrie D13/107
D665,733 S * 8/2012 Petrie D13/107
D692,374 S * 10/2013 Choi D13/107
D706,213 S * 6/2014 Titus D13/107
D725,032 S * 3/2015 Demirjian D13/107
D795,182 S * 8/2017 Akana D13/108
D809,456 S * 2/2018 Miller D13/110
D810,015 S * 2/2018 Carreon D13/108
D864,108 S * 10/2019 Ito D13/107
D872,687 S * 1/2020 Mortun D13/107
D873,768 S * 1/2020 Minkyo D13/107
D876,341 S * 2/2020 Tomasson D13/107
D884,613 S * 5/2020 Minkyo D13/107
D891,366 S * 7/2020 Xie D13/108
2013/0020990 A1 * 1/2013 DeBoer B60L 53/18
320/109
2017/0341523 A1 * 11/2017 Hirashita B60L 53/16

* cited by examiner

Primary Examiner — Rosemary K Tarcza

(74) *Attorney, Agent, or Firm* — Laubscher & Laubscher, P.C.

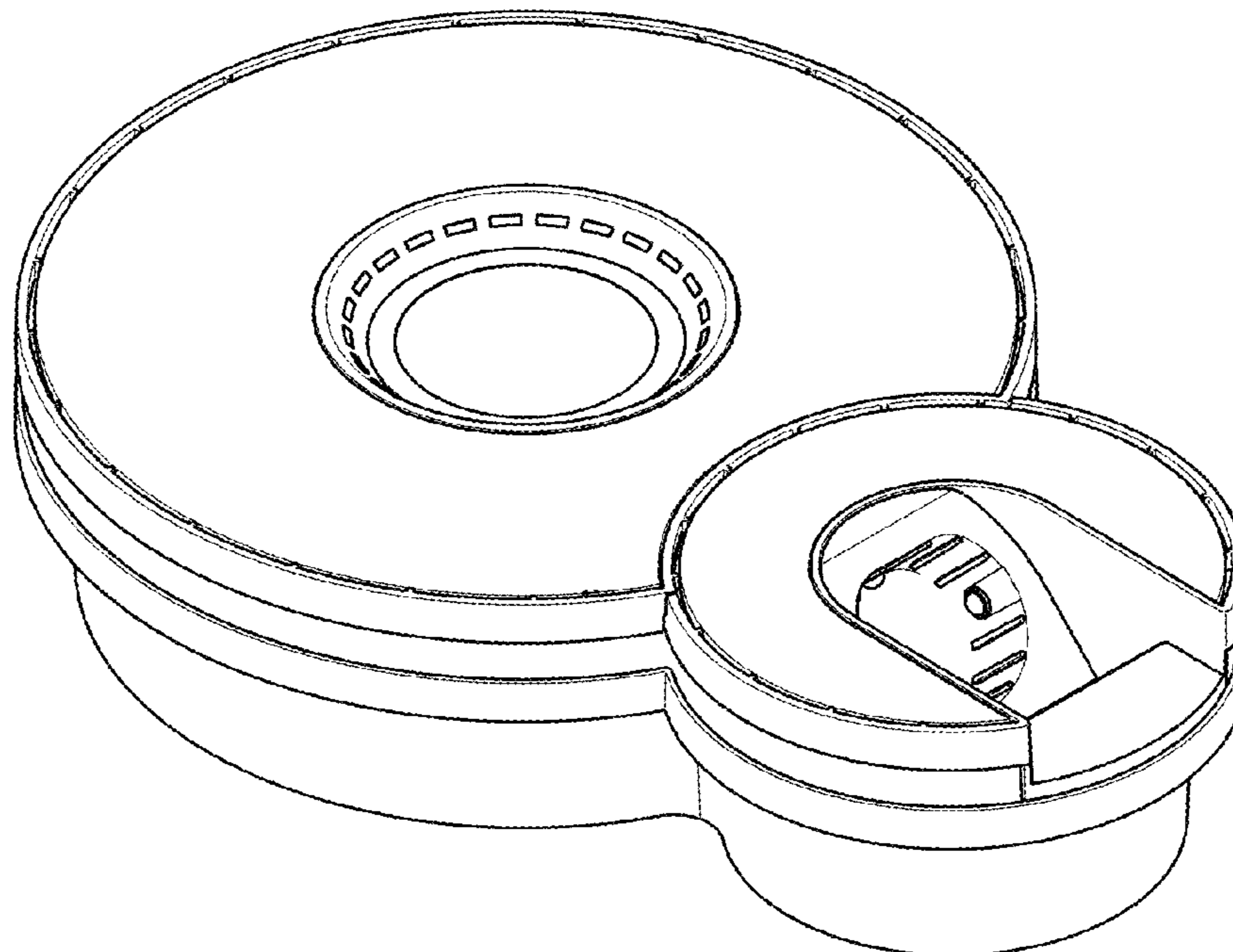
(57) **CLAIM**

The ornamental design for a wallbox and power outlet, as shown.

DESCRIPTION

FIG. 1 is a top front perspective view of a wallbox and power outlet according to my invention;
FIG. 2 is a front elevation view of my design of FIG. 1;
FIG. 3 is a left side elevation view of my design of FIG. 1;
FIG. 4 is a top plan view of my design of FIG. 1; and
FIG. 5 is a bottom plan view of my design of FIG. 1.

1 Claim, 5 Drawing Sheets



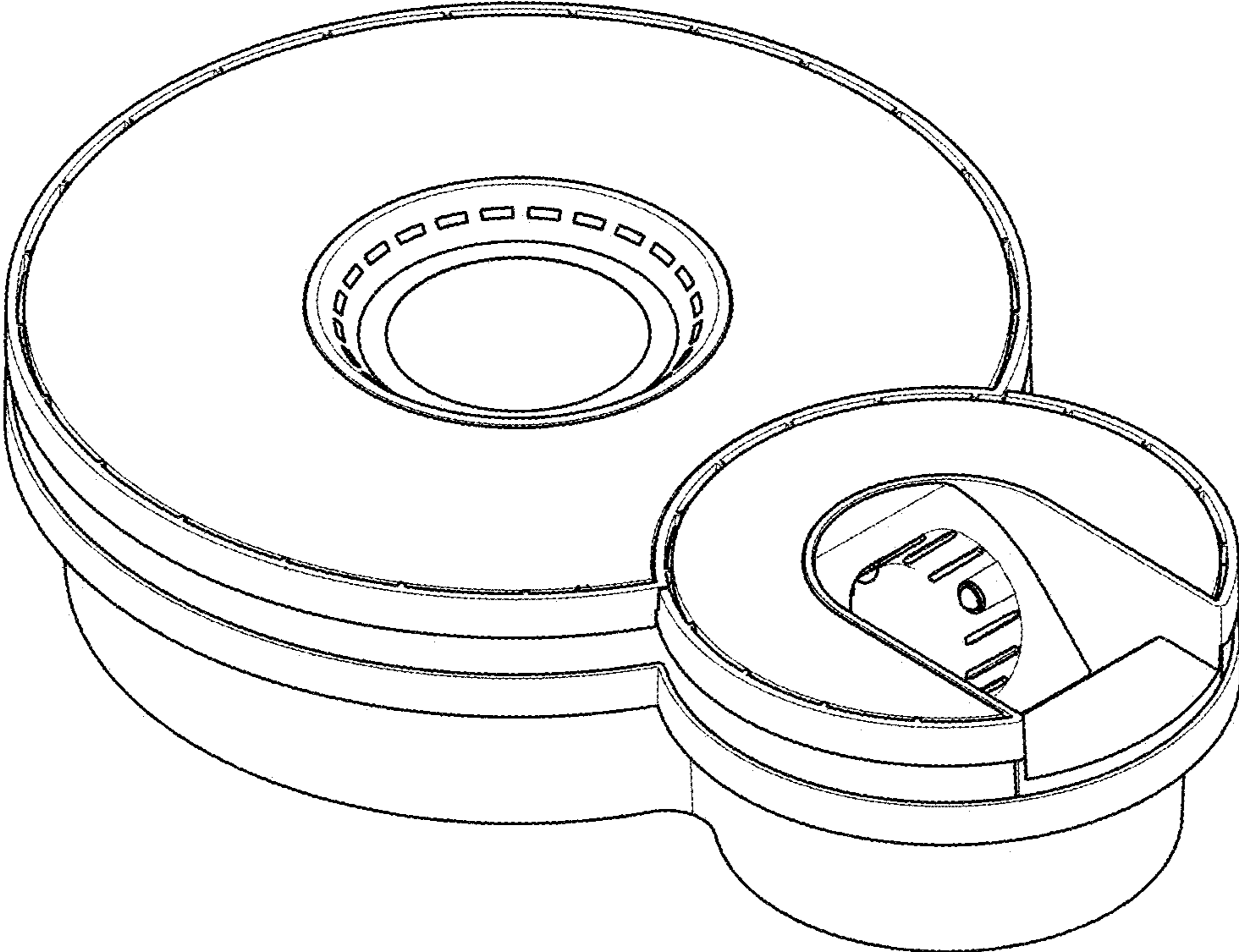


FIG. 1

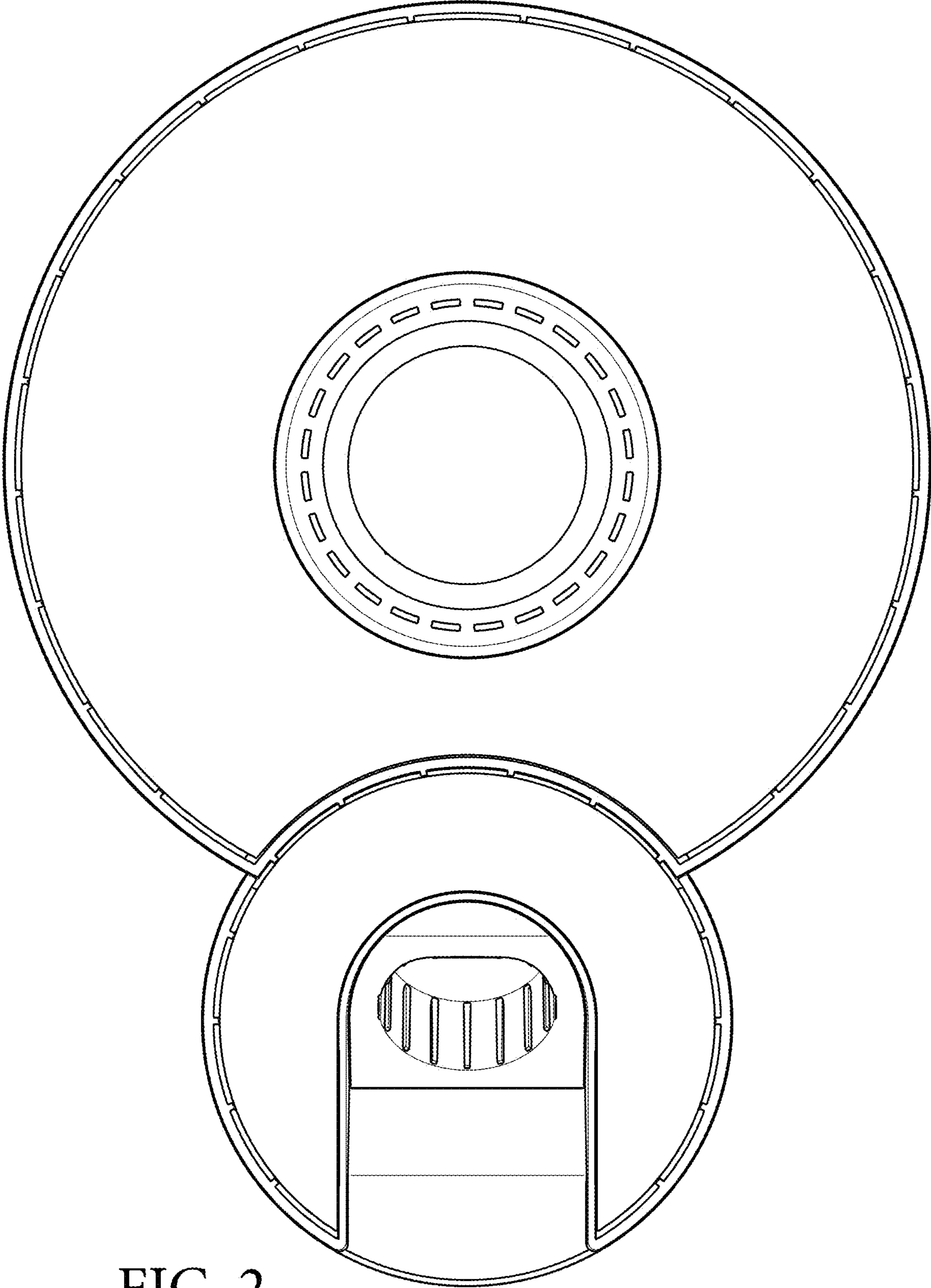


FIG. 2

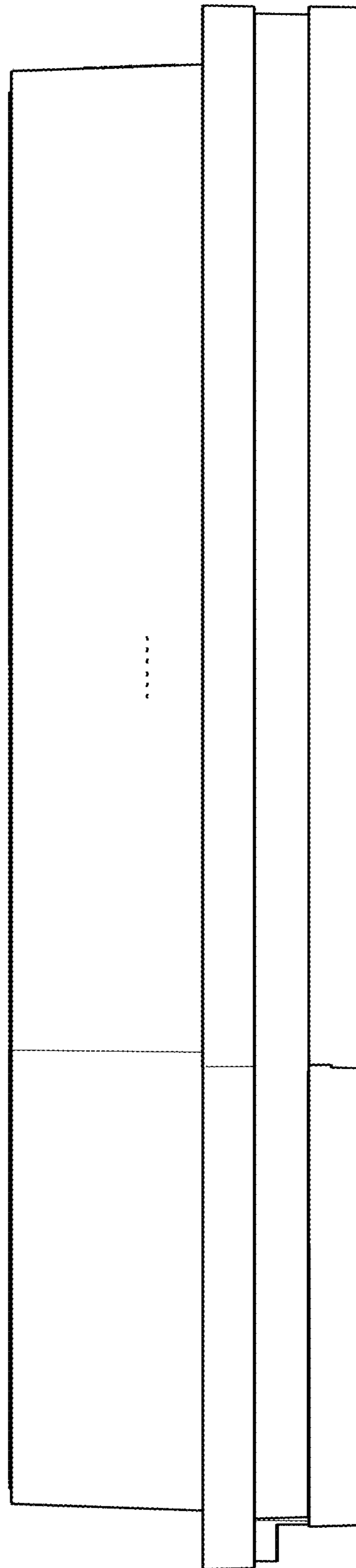


FIG. 3

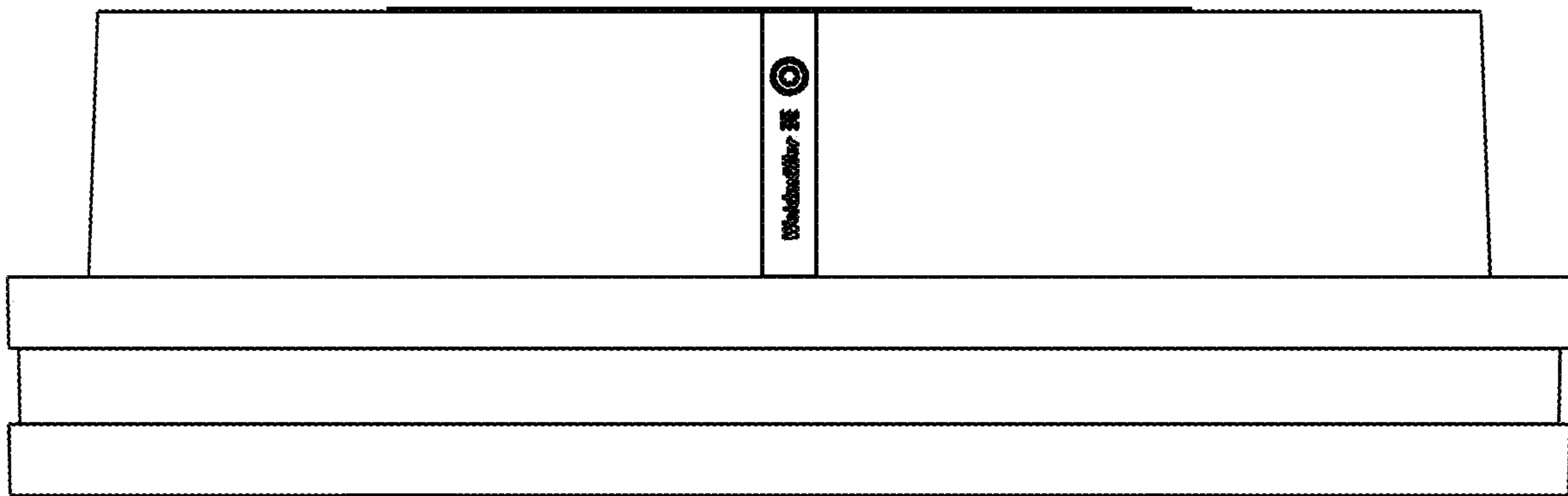


FIG. 4

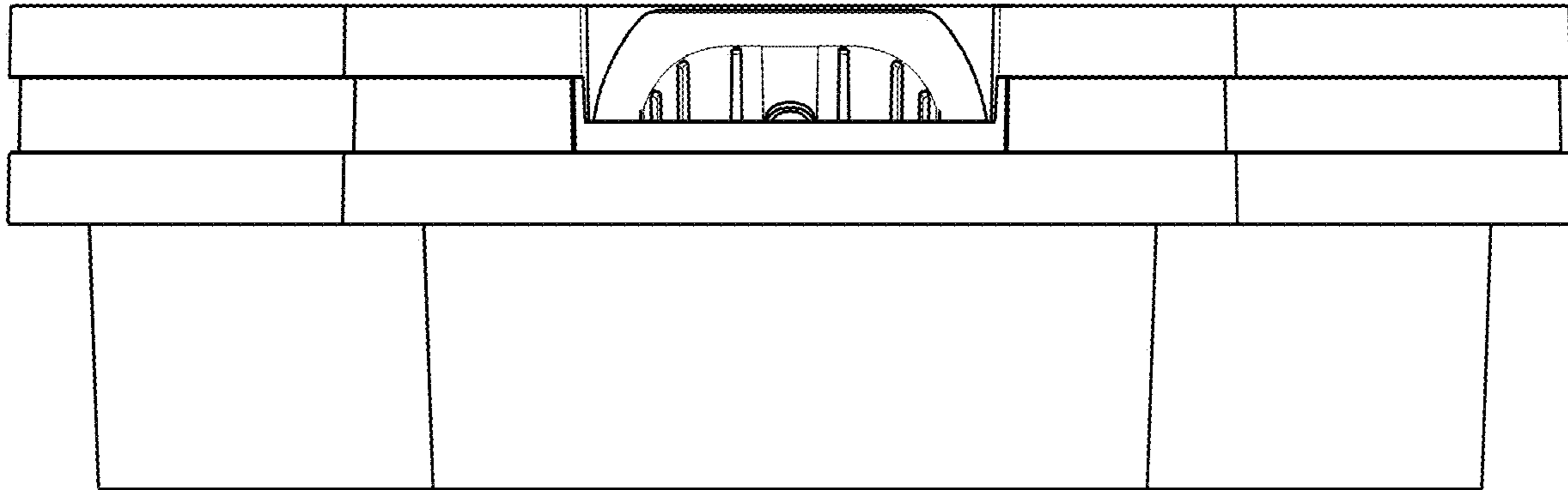


FIG. 5