



US00D941751S

(12) **United States Design Patent** (10) **Patent No.:** **US D941,751 S**
Boris (45) **Date of Patent:** **** Jan. 25, 2022**

(54) **BATTERY WITH CHARGING PORT AND KEY WAY**

FOREIGN PATENT DOCUMENTS

(71) Applicant: **STREAMLIGHT, INC.**, Eagleville, PA (US)

CN 305522811 * 12/2019
KR 300577436.0000 * 11/2010
KR 301042532.0000 * 1/2020

(72) Inventor: **Thomas D. Boris**, Collegetown, PA (US)

OTHER PUBLICATIONS

(73) Assignee: **Streamlight, Inc.**, Eagleville, PA (US)

“Anker PowerCore 5000 Portable Charger, Ultra-Compact 5000mAh External Battery with Fast-Charging Technology, Power Bank for iPhone, iPad, Samsung Galaxy and More”, first available Mar. 11, 2016. Amazon.com [https://www.amazon.com/Anker-PowerCore-Ultra-Compact-High-Speed-Technology/dp/B01CU1EC6Y?source=ps-sl-shoppingads-lpcontext&psc=1] (Year: 2016).*

(**) Term: **15 Years**

(21) Appl. No.: **29/720,834**

(Continued)

(22) Filed: **Jan. 16, 2020**

(51) **LOC (13) Cl.** **13-02**

(52) **U.S. Cl.**
USPC **D13/103**

(58) **Field of Classification Search**
USPC D13/102, 103, 104, 105, 106, 107, 108, D13/110, 118, 119, 184, 199; D3/273, D3/274, 302, 201, 264
CPC Y02E 60/12; Y02E 60/122; Y02E 60/124; Y02E 60/50; H01M 10/4257; H01M 10/0436; H01M 10/48; H01M 2/02; H01M 2/022; H01M 2/0202; H01M 2/0207; H01M 2/0212; H01M 2/1061; H01M 2/1022; H01M 2/1055; H01M 2/1066; H01M 2/105; H01M 2/204; H01M 2/04; H01M 2/0404; H01M 2/0406; H01M 2/0465; H01M 2/06

Primary Examiner — Rosemary K Tarcza

Assistant Examiner — Seth David Kumpf

(74) *Attorney, Agent, or Firm* — Clement A. Berard, Esq.; Dann, Dorfman, Herrell & Skillman, PC

See application file for complete search history.

(57) **CLAIM**

The ornamental design for a battery with charging port and key way, substantially as shown and described.

(56) **References Cited**

DESCRIPTION

U.S. PATENT DOCUMENTS

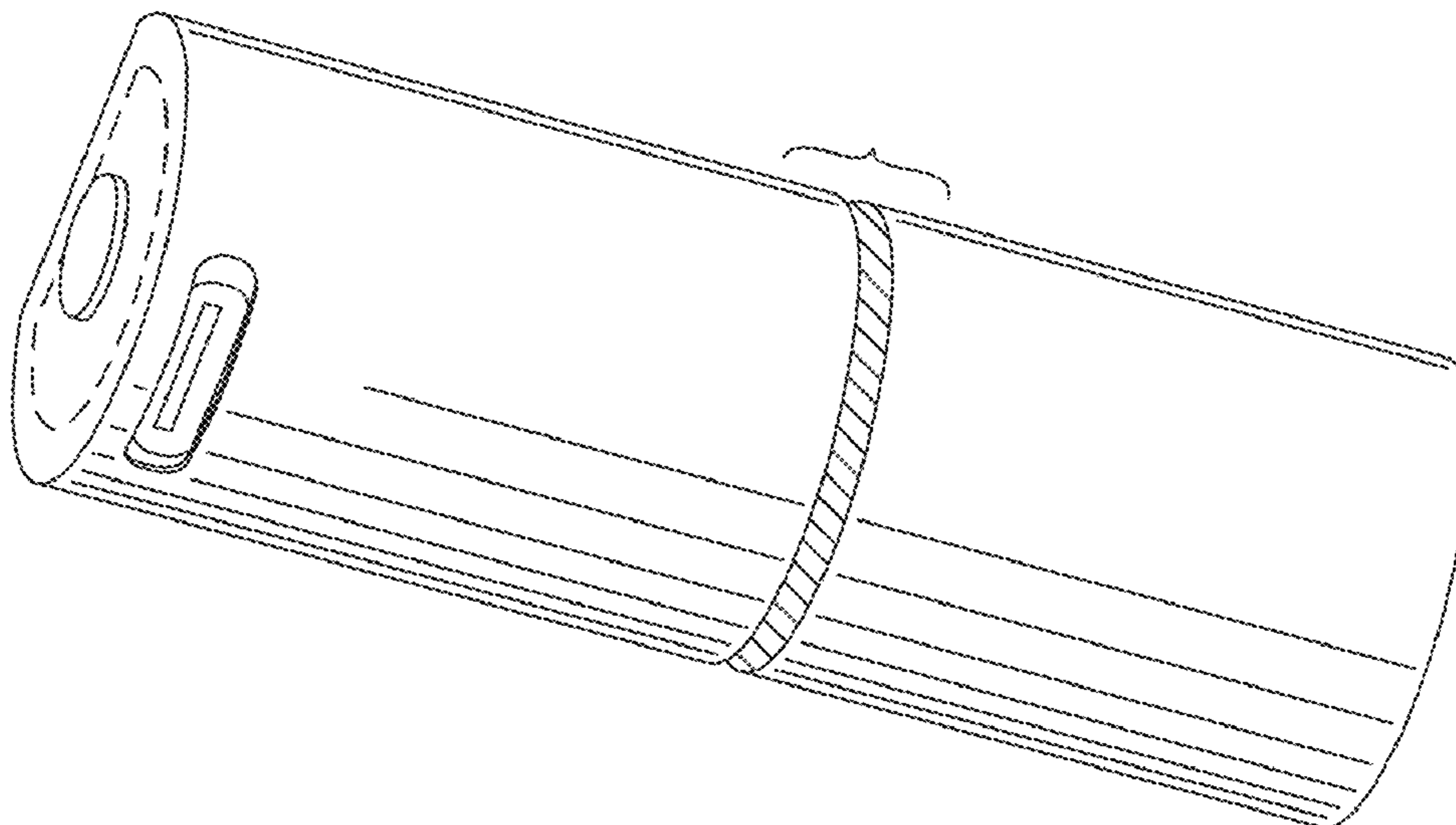
5,432,689 A 7/1995 Sharrah et al.
D431,720 S * 10/2000 Fortune D3/264
RE37,092 E 3/2001 Sharrah et al.
D495,819 S * 9/2004 Krieger D26/104

FIG. 1 is a perspective view of an ornamental design for a battery with charging port and key way;
FIG. 2 is a second perspective view thereof;
FIG. 3 is a side view of a first side thereof;
FIG. 4 is a side view of a second side thereof;
FIG. 5 is a side view of a third side thereof;
FIG. 6 is a side view of a fourth side thereof;
FIG. 7 is an end view of a first end thereof; and,
FIG. 8 is an end view of a second end thereof.

Broken lines in the DRAWING indicate parts of the article that are not claimed herein, and that form no part of the claimed design. The article is shown with a symbolic break in its length. The appearance of any part of the article between such break lines is not part of the claimed design.

(Continued)

1 Claim, 3 Drawing Sheets



(56)

References Cited

U.S. PATENT DOCUMENTS

7,806,555	B2	10/2010	Liu	
RE42,945	E	11/2011	Sharrah et al.	
D674,746	S *	1/2013	Zhang	D13/102
D833,384	S *	11/2018	Takayanagi	D13/103
D844,557	S *	4/2019	Wang	D13/103
D856,274	S *	8/2019	Afrouzi	D13/103
D867,069	S *	11/2019	Wang	D7/515
2013/0343042	A1	12/2013	Windom	
2014/0347249	A1 *	11/2014	Bourilkov	H01Q 7/08 343/904
2015/0140379	A1 *	5/2015	Yau	H01M 10/425 429/90
2015/0212315	A1 *	7/2015	Specht	H01M 10/48 340/815.4
2018/0120386	A1 *	5/2018	Riemer	G01R 31/364
2018/0123175	A1 *	5/2018	Riemer	H04L 67/125

OTHER PUBLICATIONS

“Streamlight 18650 USB Battery (2 Pack)”, first accessed Jul. 8, 2021. TacticalGear.com [https://tacticalgear.com/streamlight-18650-usb-battery-2-pack-black?searchterm=streamlight%2018650] (Year: 2021).*

“SureFire 18650 Li-Ion Rechargeable Battery with Charging Port (3.6V, 3500mAh)”, first accessed May 17, 2021. BHPhotoVideo.com [https://www.bhphotovideo.com/c/product/1456473-REG/surefire_sf18650b_18650_rechargeable_lithium_ion_battery.html/overview?ap=y&smp=y] (Year: 2021).*

Streamlight, Inc., “Battery With Charging Port and Key Way”, Design U.S. Appl. No. 29/746,505, filed Aug. 14, 2020, 26 pages.

AmpTorrent, “USB Rechargeable AA Batteries Lithium 2960mW h High Capacity, 1.5V Constant Output, 2 Hours Fast Charging Batteries 4 Pack with 4 in 1 Charging Cable”, date first listed on Amazon—Dec. 17, 2019, 8 pages, https://www.amazon.com/dp/B082W2MP8Y/ref=sspa_dk_detail_4?psc=1&pd_rd_i=B082W2MP8Y&pd_rd_w=GrP2n&pf_rd_p=48d372c1-f7e1-4b8b-9d02-4bd86f5158c5&pd_rd_wg=uFbVU&pf_rd_r=NR7ZXXCG7KY55DHT35E0&pd_rd_r=3a94fcaa-1876-4d7d-b441-0d74daf917d7&spLa=ZW5jcnlwdGVkUXVhbGlmaWVyPUEyOE1XUVJQNEMzNTNXJmVuY3J5cHRIZElkPUEwODY1NzQ0MkM0UDQxR0hJRUDdTjZlbnNyeXB0ZWRBZEIkPUEwMTYwMzE5Mlg1SIBBOEEwMzVVSSZ3aWRnZXROYW11PXNwX2RldGFpbCZlY3Rpb249Y2xpY2tSZW RpcmVjdCZkb05vdExvZ0NsaWNRpXRydW U.

Delipow, “AA Rechargeable Batteries, USB 1.5V Lithium Rechargeable Batteries, High Capacity 2800mW h Li-ion AA Battery, 1 H Quick Charge, 1200 Cycles with USB Cable—4 Pack”, earliest date reviewed on Amazon—Jun. 9, 2019, 8 pages, https://www.amazon.com/dp/B07QV55YH9/ref=sspa_dk_detail_3?pd_rd_i=B07QV55YH9&pd_rd_w=xJHlk&pf_rd_p=48d372c1-f7e1-4b8b-9d02-4bd86f5158c5&pd_rd_wg=pYtaZ&pf_rdr=W6ADKPA2F4R7BX81SFPD&pd_rd_r=366aacc6-9e81-4453-82bc-e106954483db&spLa=ZW5jcnlwdGVkUXVhbGlmaWVyPUEFRUzhPU1VIQ0czRFQmZW5jcnlwdGVkSWQ9QTA5NTI2OTMxOTkwM0IQQkM5N1M2JmVuY3J5cHRIZEFkSWQ9QTAzMDczNDIHNZWWFBNE9OV1Amd2lkZ2V0TmFtZT1zcF9kZXRhaWwmYWN0aW9uPWNsaWNRUmVkaXJlY3QmZG9Ob3Rmb2dDbGljaz10cnVI&th=1.

Fuvaly, “USB Rechargeable Lithium AAA Batteries Triple A Li-ion Battery with Micro USB Charging Cable 1.5V 450mAh 1h Quick-Charge Fuvaly (4pack)”, date first listed on Amazon—Apr. 18, 2019, 7 pages, https://www.amazon.com/Rechargeable-Batteries-Charging-Quick-Charge-Fuvaly/dp/B07QW531W2?th=1.

* cited by examiner

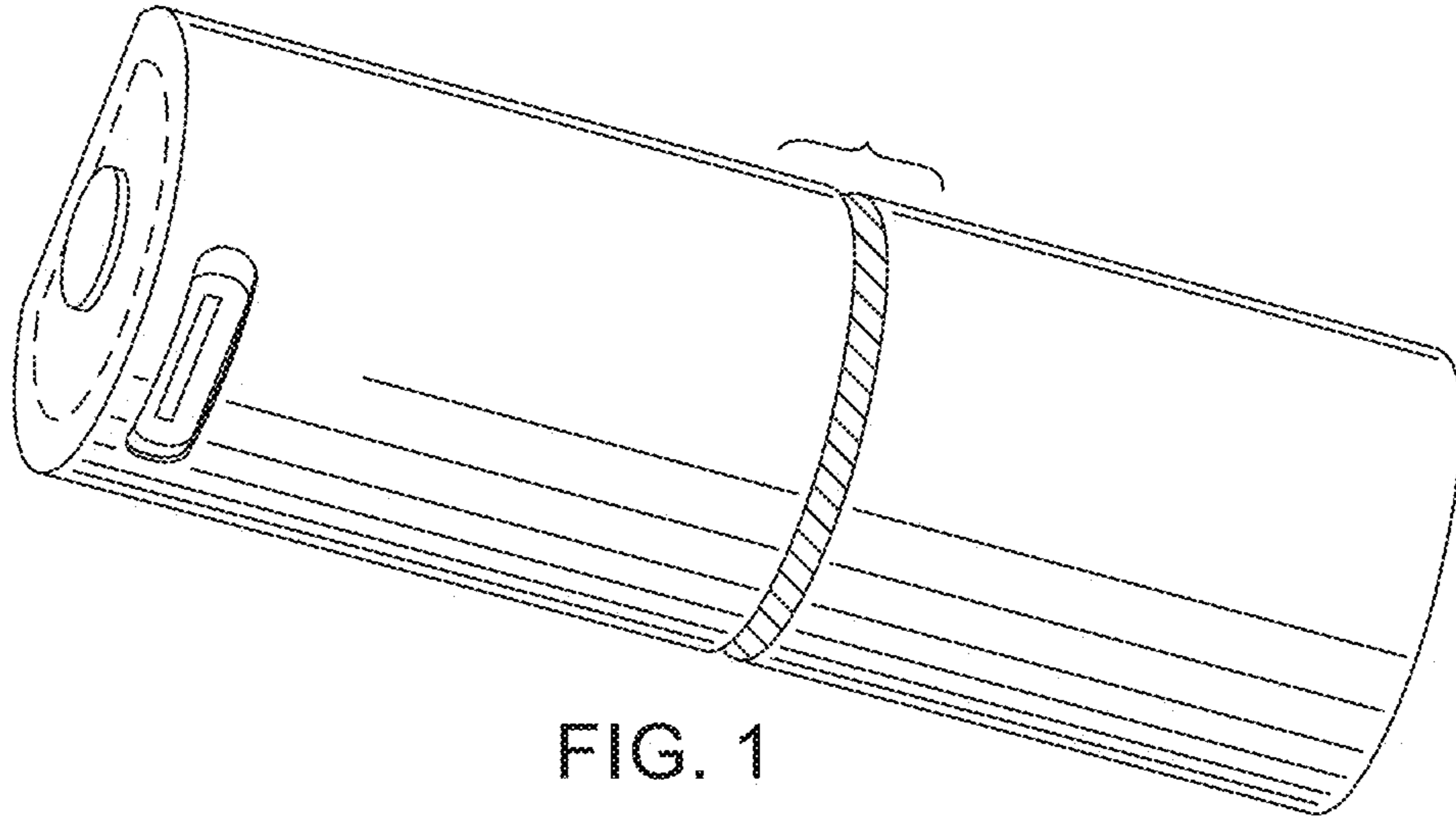


FIG. 1

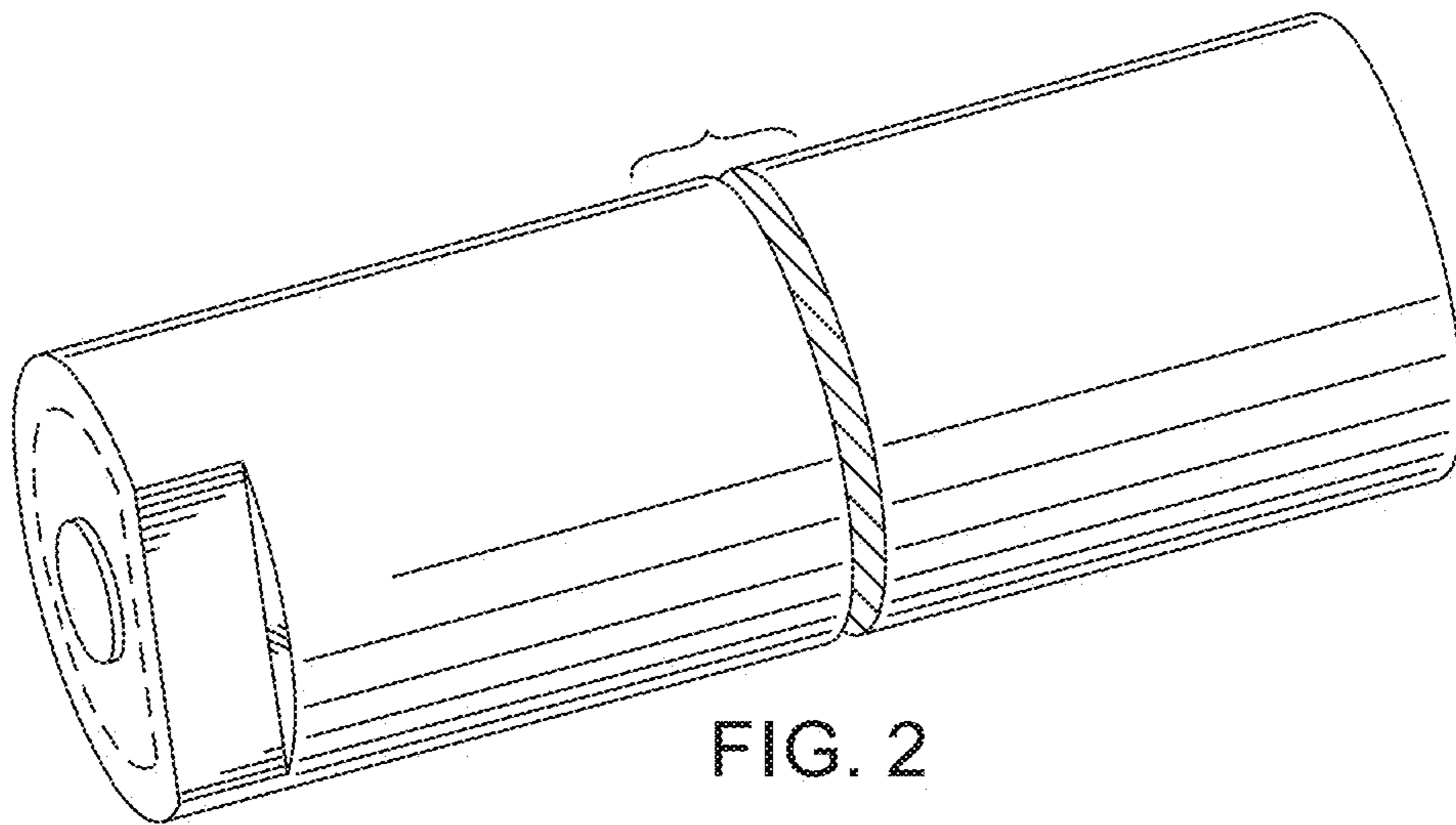


FIG. 2

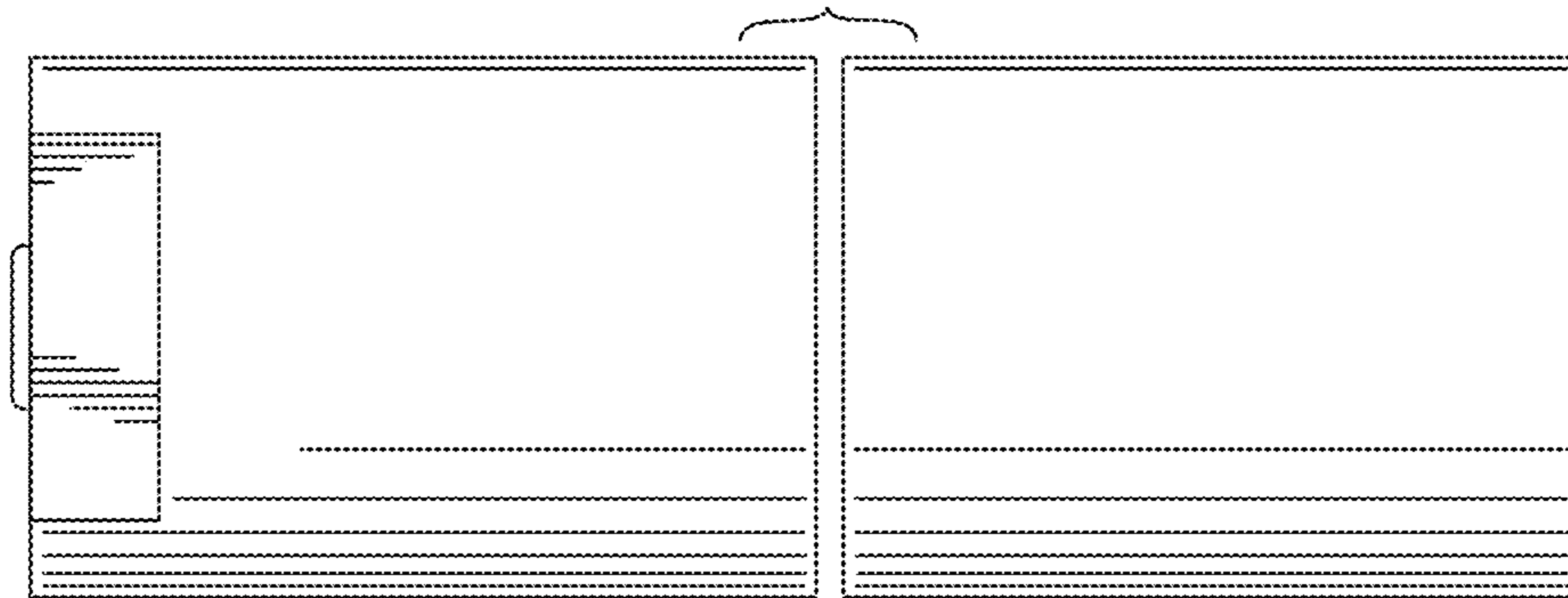


FIG. 3

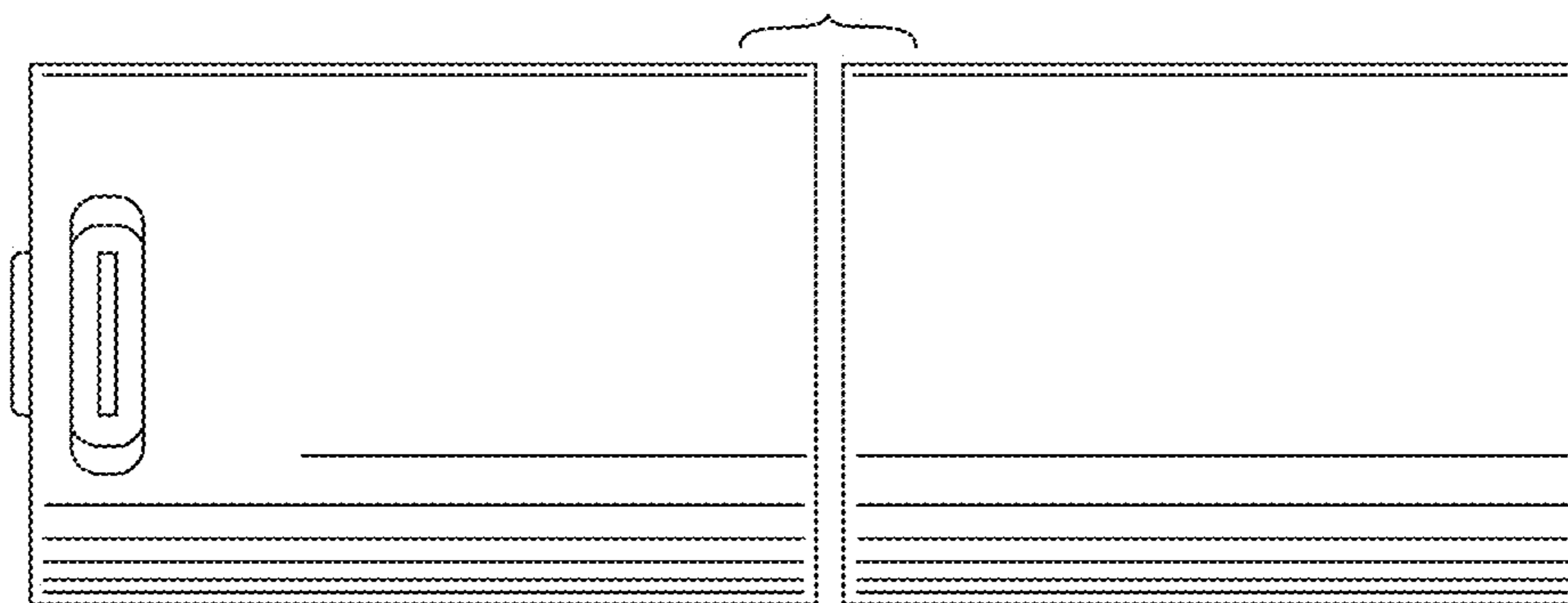


FIG. 4

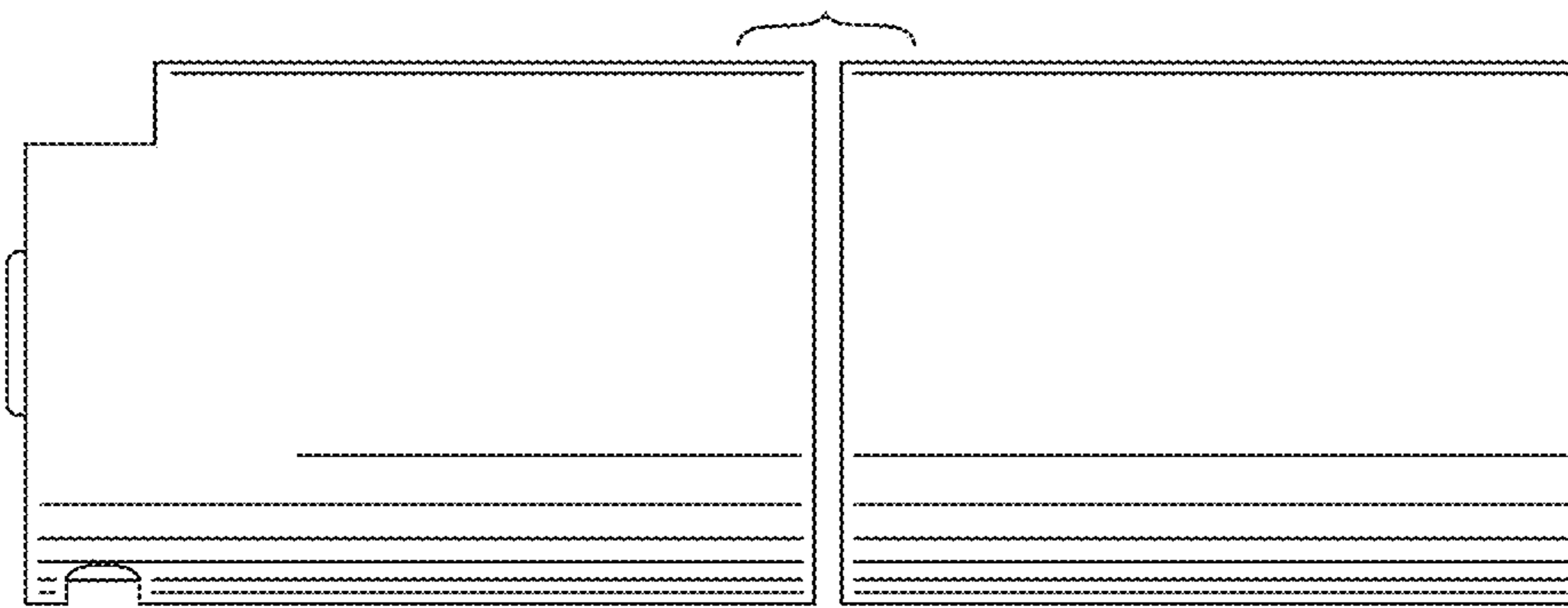


FIG. 5

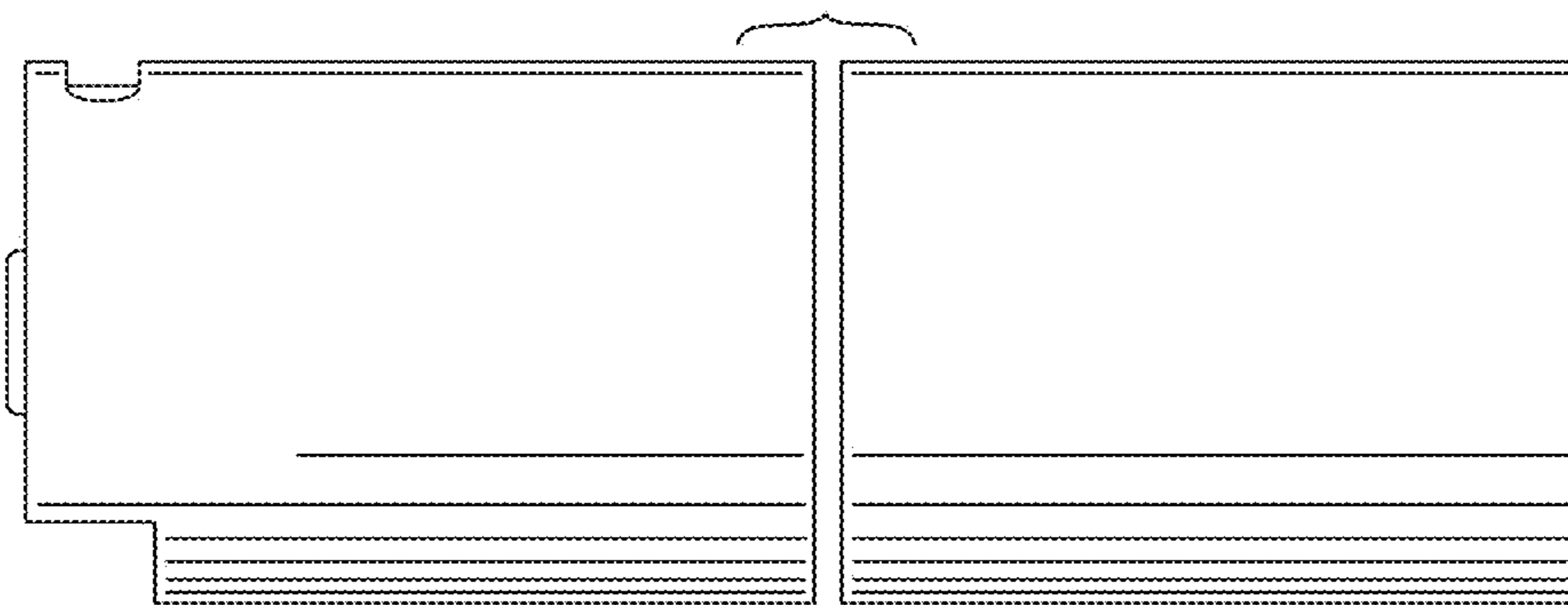


FIG. 6

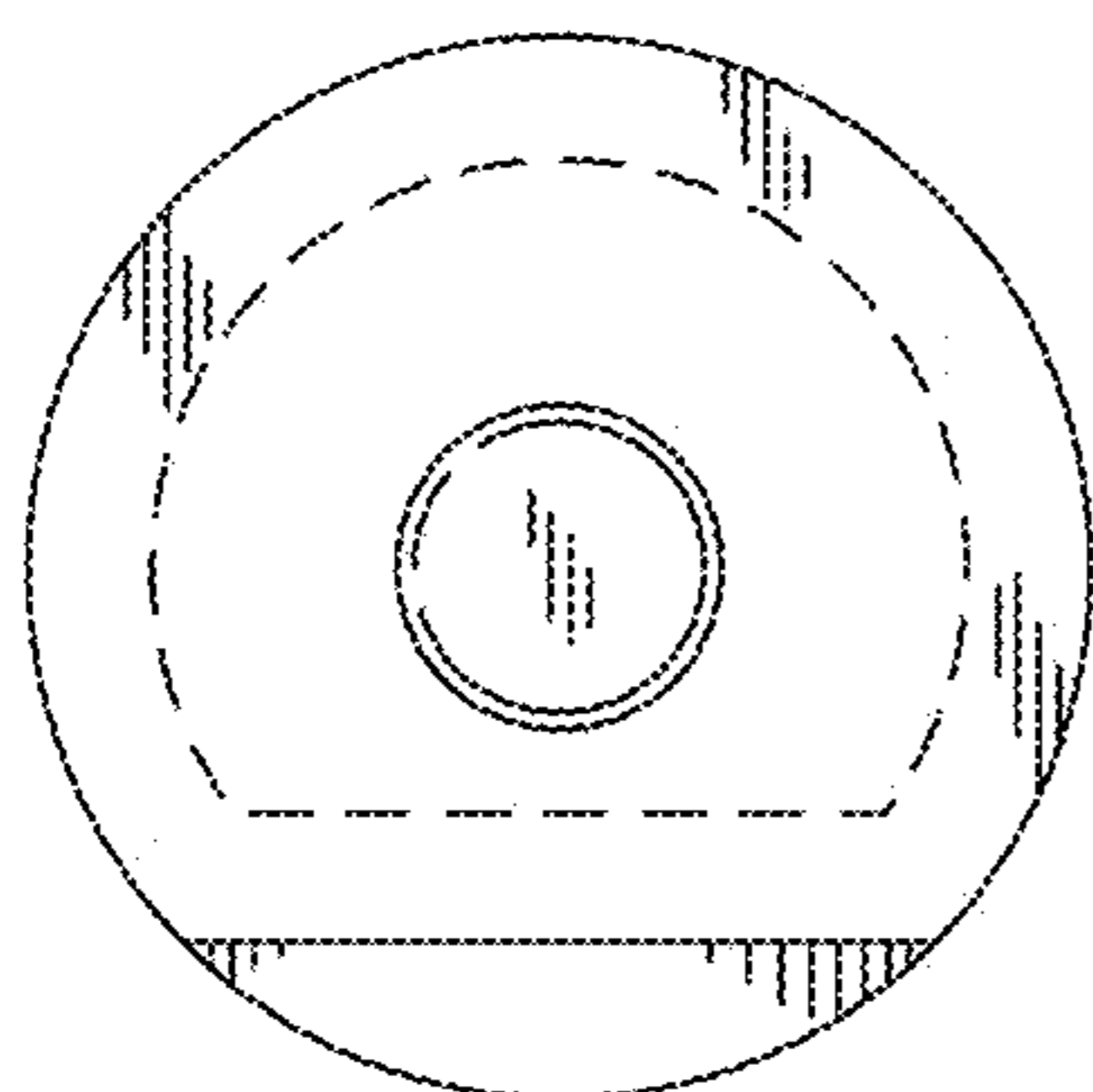


FIG. 7

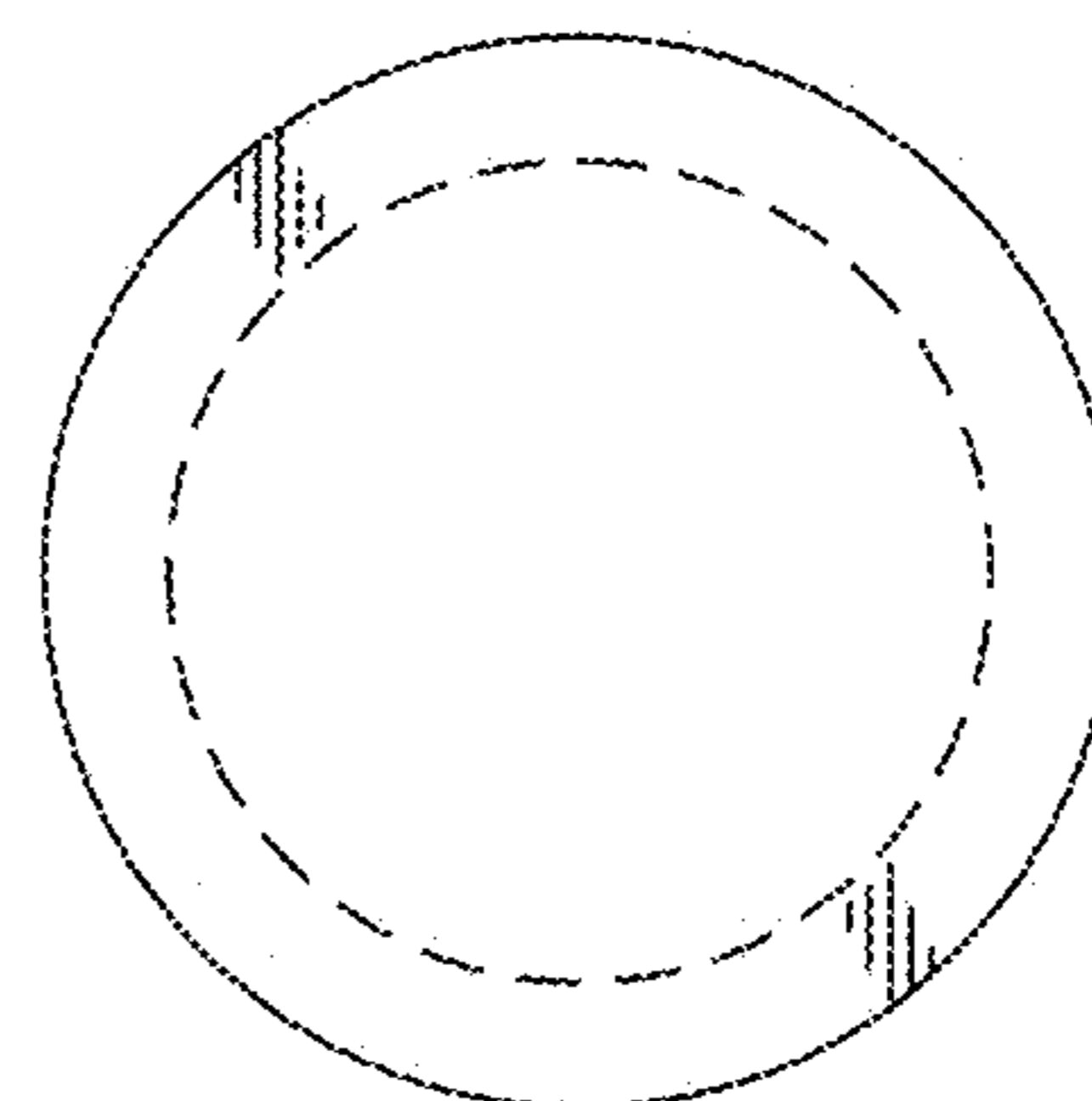


FIG. 8