



US00D941750S

(12) **United States Design Patent** (10) **Patent No.:** **US D941,750 S**
Brosnan et al. (45) **Date of Patent:** **** Jan. 25, 2022**

(54) **BATTERY MODULE**
(71) Applicant: **Stryker Corporation**, Kalamazoo, MI (US)
(72) Inventors: **Daniel V. Brosnan**, Kalamazoo, MI (US); **Ross Timothy Lucas**, Paw Paw, MI (US); **Bradley Sommer**, Portage, MI (US); **Justin Thomas McLouth**, Portage, MI (US); **Michael T. Brubaker**, Portage, MI (US)

5,977,746 A 11/1999 Hershberger et al.
7,705,559 B2 4/2010 Powell et al.
D698,151 S * 1/2014 Arehart D3/302
9,142,992 B2 9/2015 Malackowski et al.
D816,604 S * 5/2018 Rowe D13/103
D816,605 S * 5/2018 Rowe D13/103
D841,980 S * 3/2019 Hsu D3/273
2011/0114608 A1* 5/2011 Albrecht H01M 10/46
219/112

(Continued)

(73) Assignee: **Stryker Corporation**, Kalamazoo, MI (US)

CN 303622717 * 3/2016

FOREIGN PATENT DOCUMENTS

(**) Term: **15 Years**

OTHER PUBLICATIONS

(21) Appl. No.: **29/718,872**

Stryker, "SMRT Power System Brochure", 2016, 4 pages.

(22) Filed: **Dec. 30, 2019**

Primary Examiner — Rosemary K Tarcza

(51) **LOC (13) Cl.** **13-02**

Assistant Examiner — Seth David Kumpf

(52) **U.S. Cl.**

(74) *Attorney, Agent, or Firm* — Howard & Howard Attorneys PLLC

USPC **D13/103**

(58) **Field of Classification Search**

(57) **CLAIM**

USPC D13/102, 103, 104, 105, 106, 107, 108, D13/110, 118, 119, 184, 199; D3/273, D3/274, 302, 201, 264

The ornamental design for a battery module, as shown and described.

CPC Y02E 60/12; Y02E 60/122; Y02E 60/124; Y02E 60/50; H01M 10/4257; H01M 10/0436; H01M 10/48; H01M 2/02; H01M 2/022; H01M 2/0202; H01M 2/0207; H01M 2/0212; H01M 2/1061; H01M 2/1022; H01M 2/1055; H01M 2/1066; H01M 2/105; H01M 2/204; H01M 2/04; H01M 2/0404; H01M 2/0406; H01M 2/0465; H01M 2/06

DESCRIPTION

See application file for complete search history.

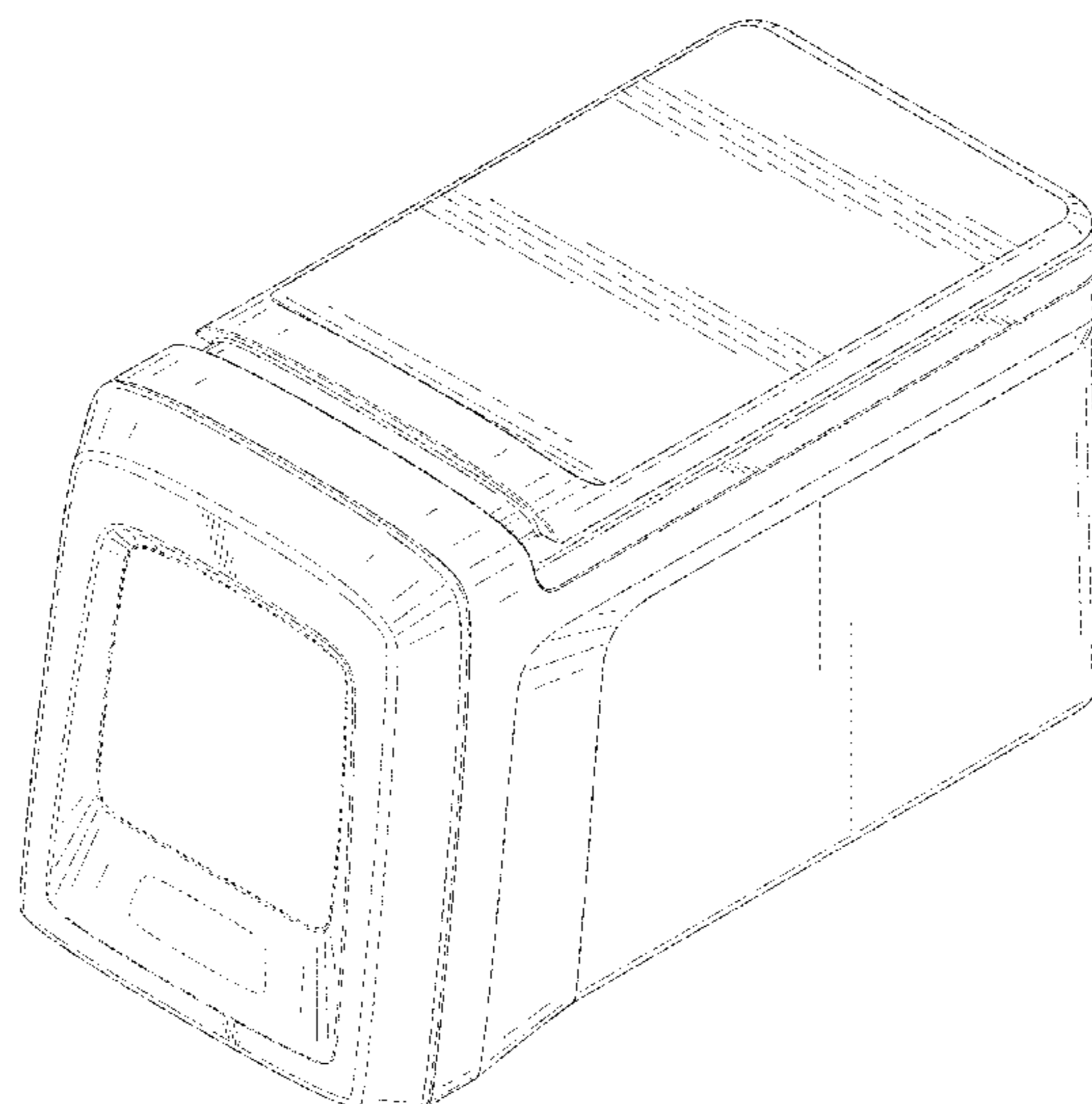
FIG. 1 is a front, top, right side, perspective view of a battery module;
FIG. 2 is a rear, bottom, left side perspective view of the battery module of FIG. 1;
FIG. 3 is a front view of the battery module of FIG. 1;
FIG. 4 is a right side view of the battery module of FIG. 1;
FIG. 5 is a left side of the battery module of FIG. 1;
FIG. 6 is a top view of the battery module of FIG. 1;
FIG. 7 is a bottom view of the battery module of FIG. 1; and,
FIG. 8 is a rear view of the battery module of FIG. 1.
In the drawings, the broken lines represent portions of the battery module that form no part of the claimed design.

(56) **References Cited**

U.S. PATENT DOCUMENTS

D336,281 S * 6/1993 Nakamura D13/107
D413,564 S 9/1999 Hershberger et al.

1 Claim, 8 Drawing Sheets



(56)

References Cited

U.S. PATENT DOCUMENTS

2018/0168719 A1* 6/2018 Sprinkle A61B 18/1477
2019/0083124 A1* 3/2019 Downey A61B 17/320068

* cited by examiner

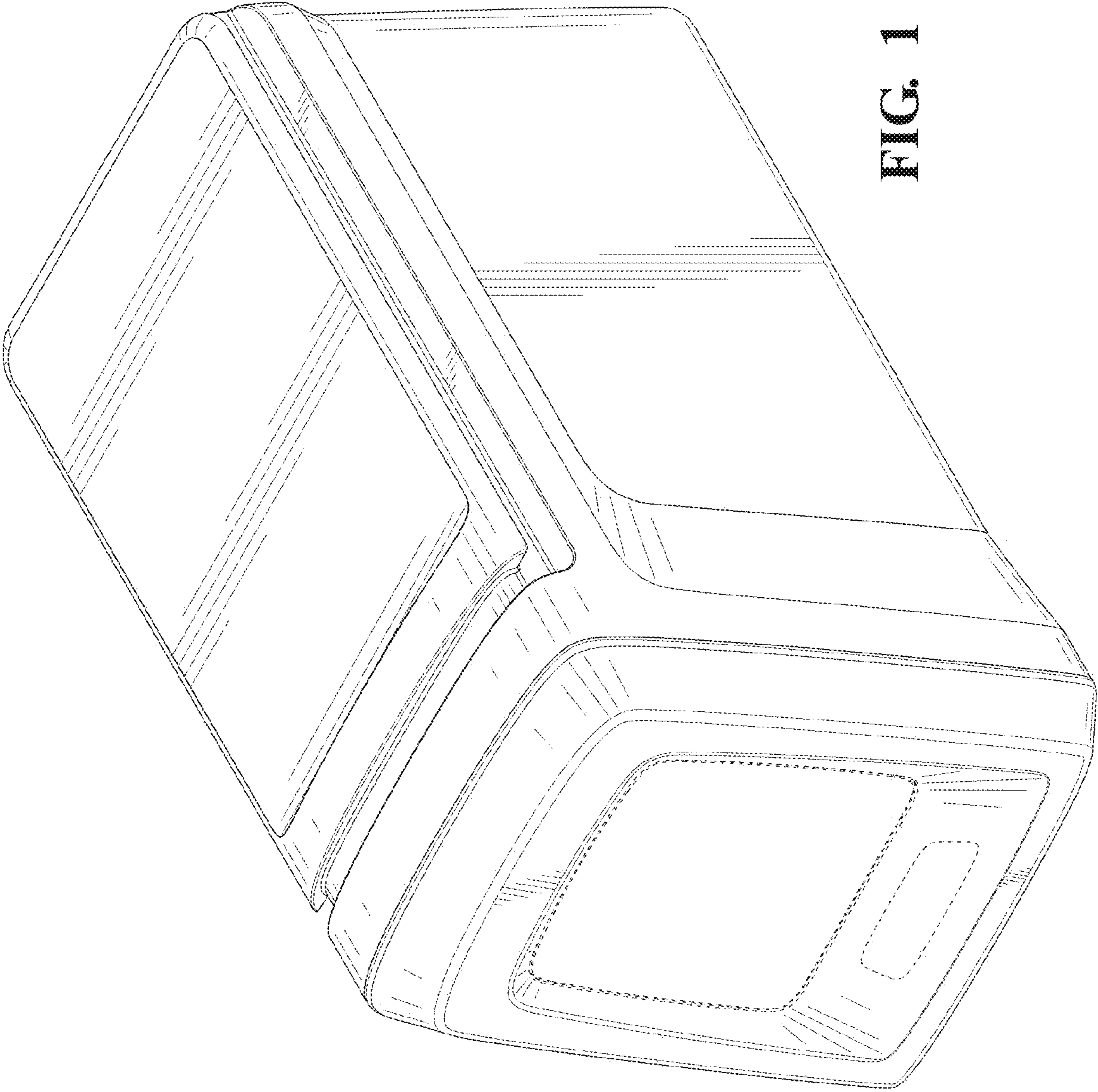


FIG. 1

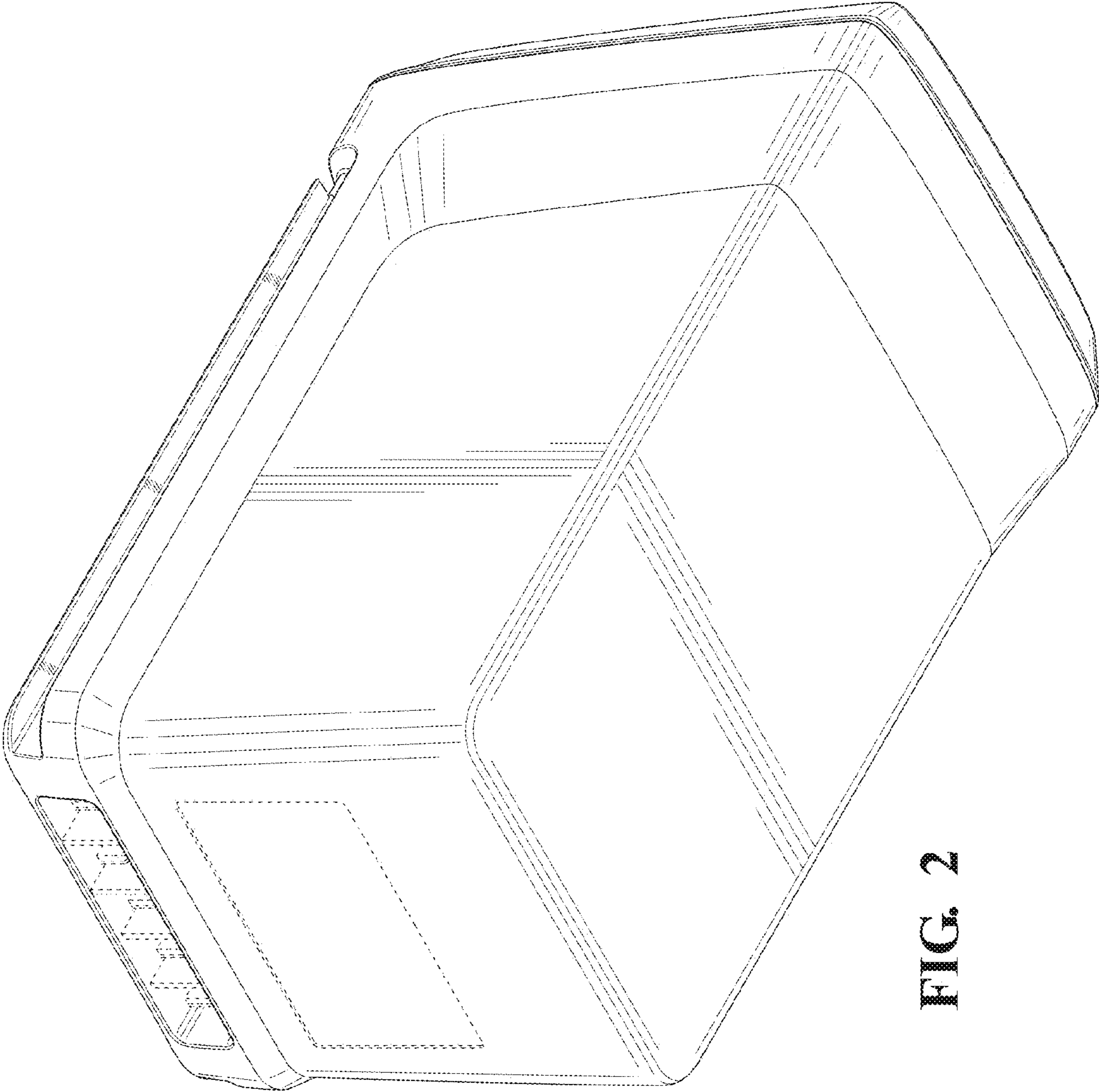


FIG. 2

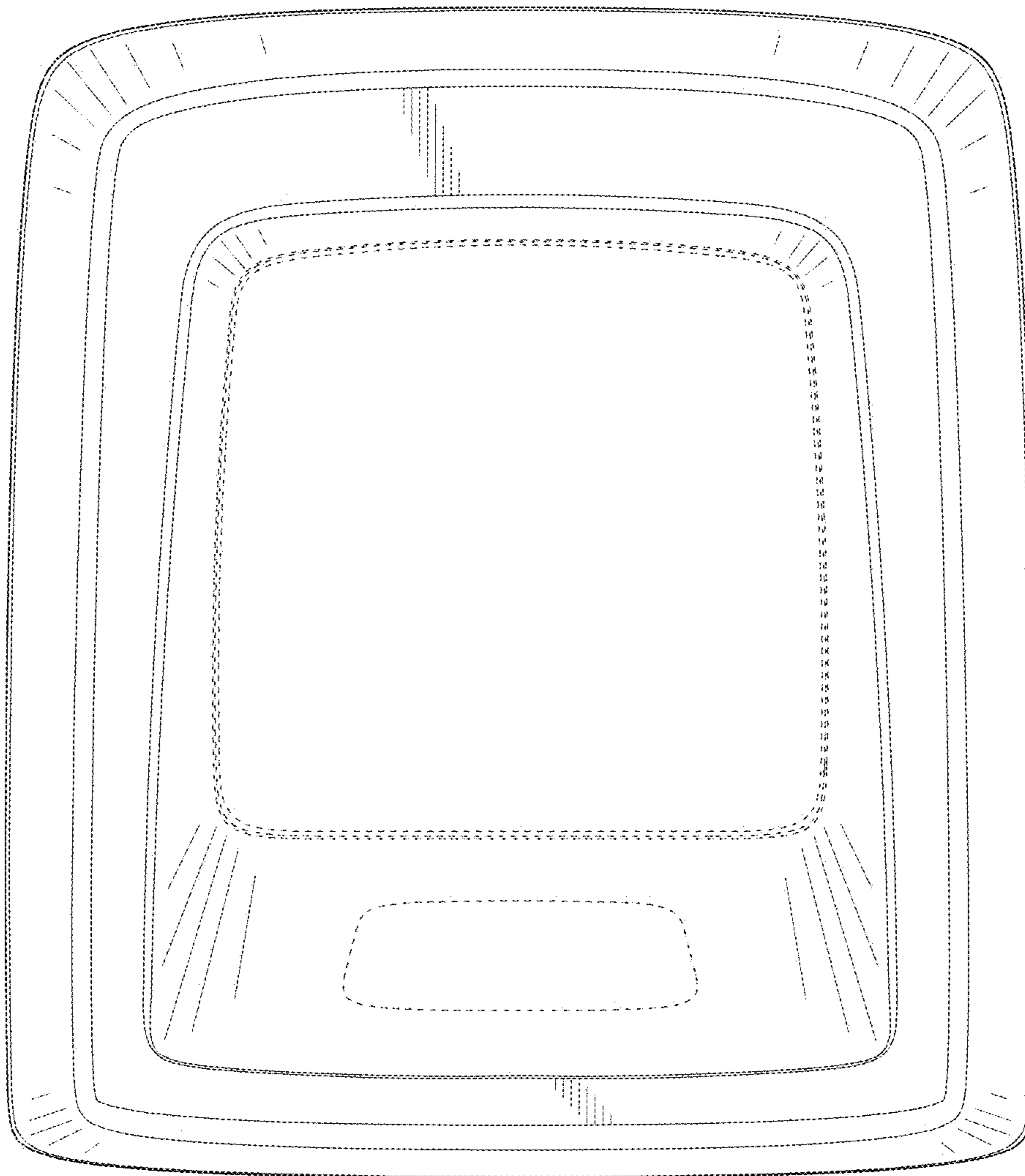


FIG. 3

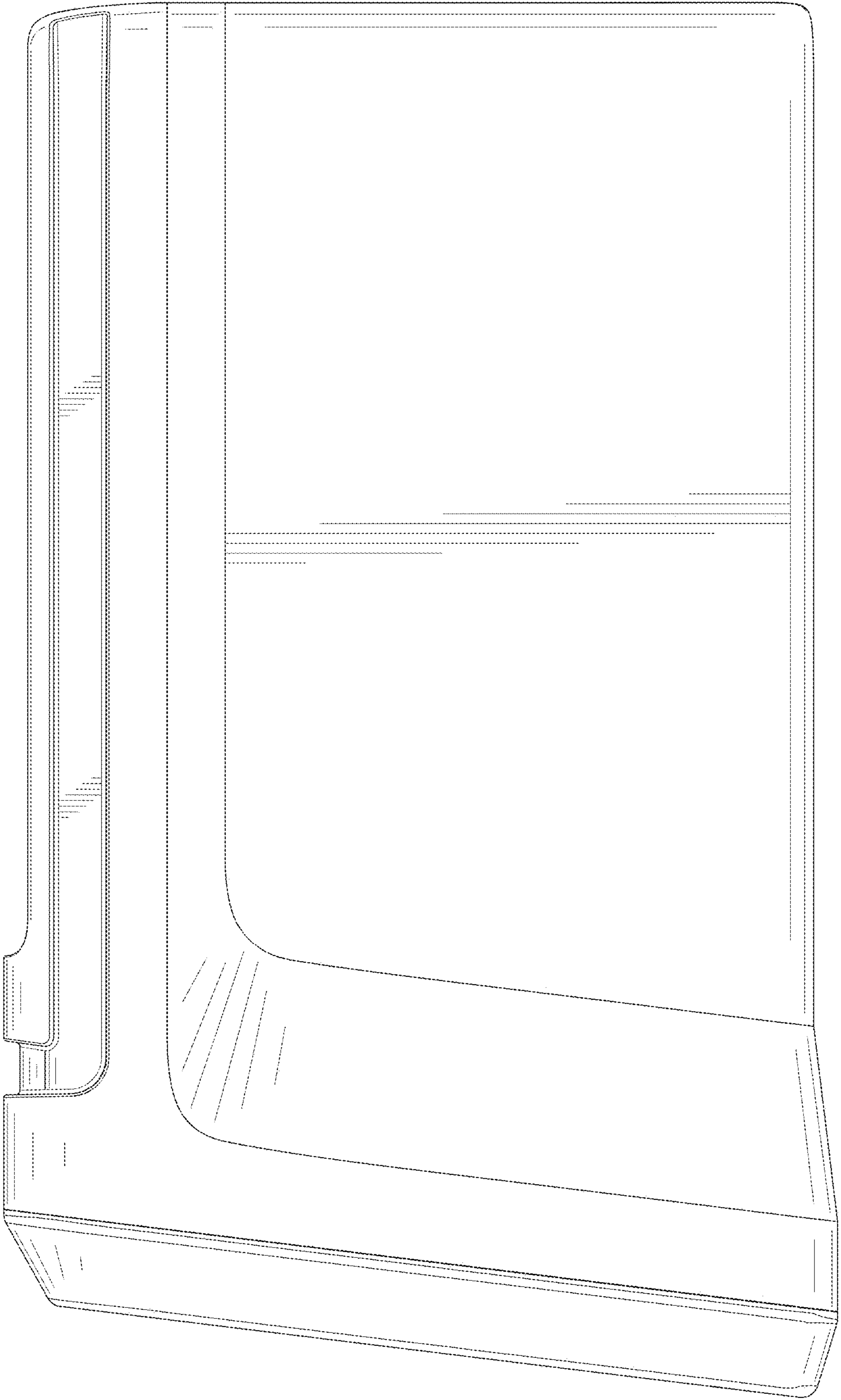


FIG. 4

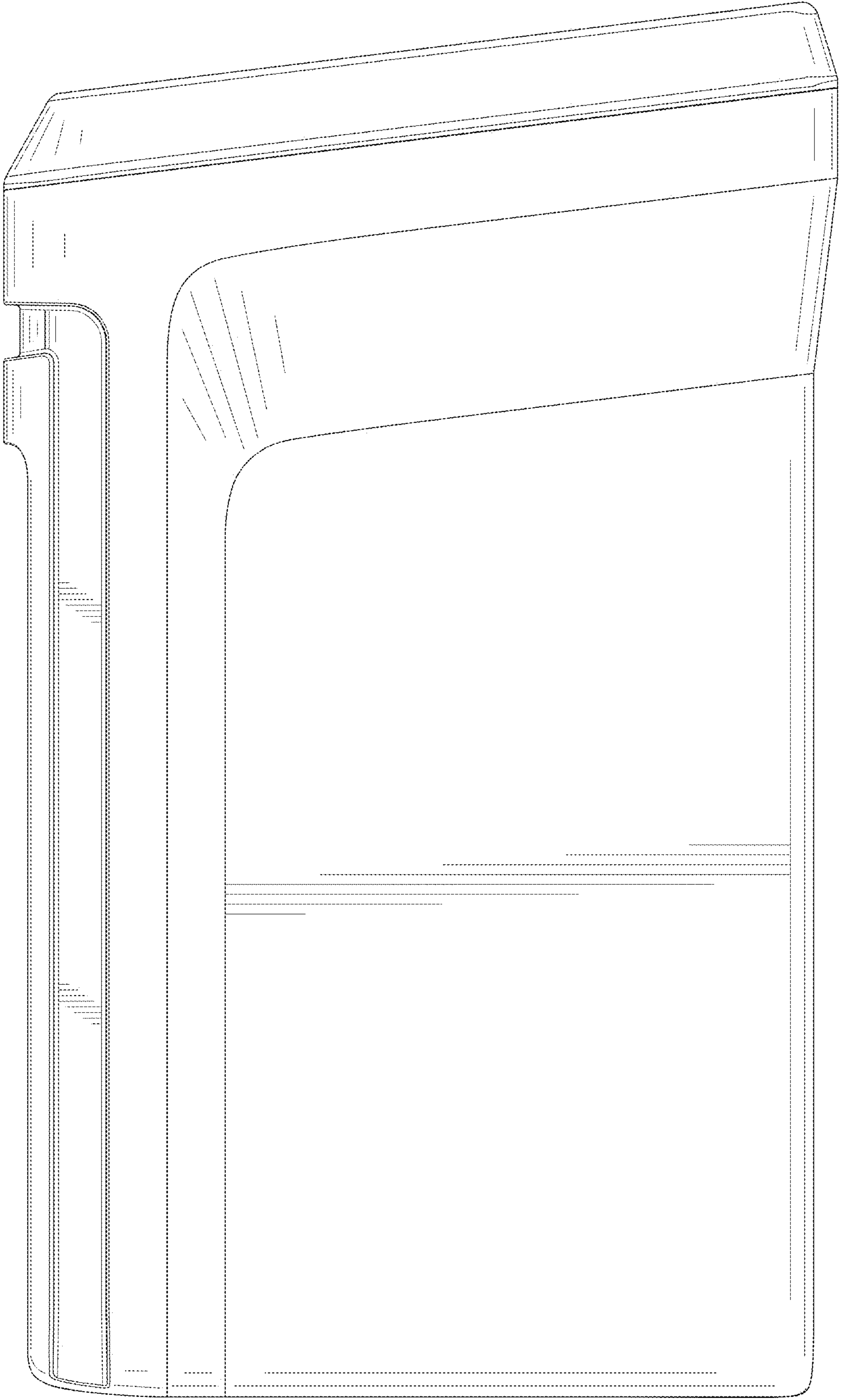


FIG. 5

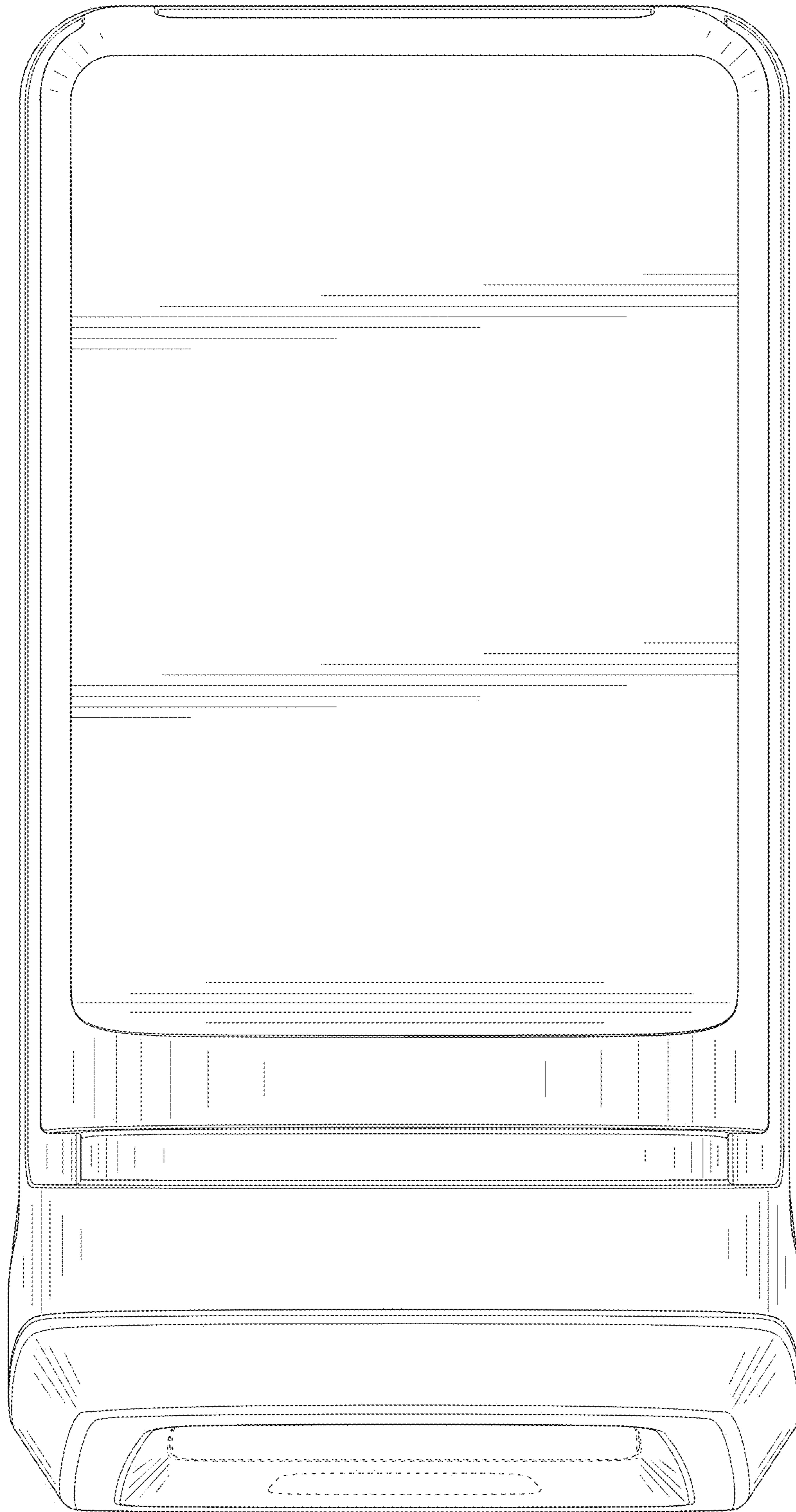


FIG. 6

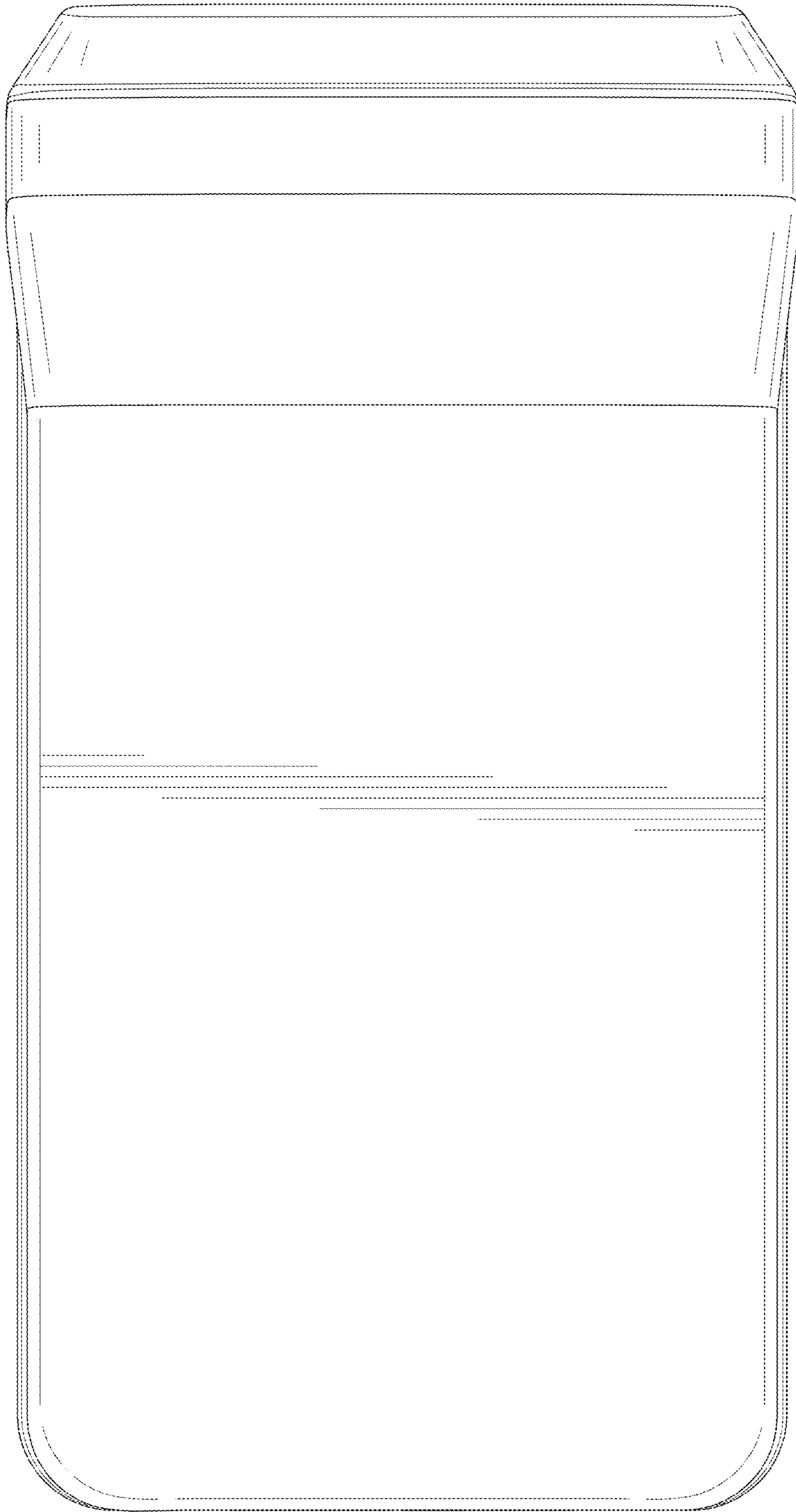


FIG. 7

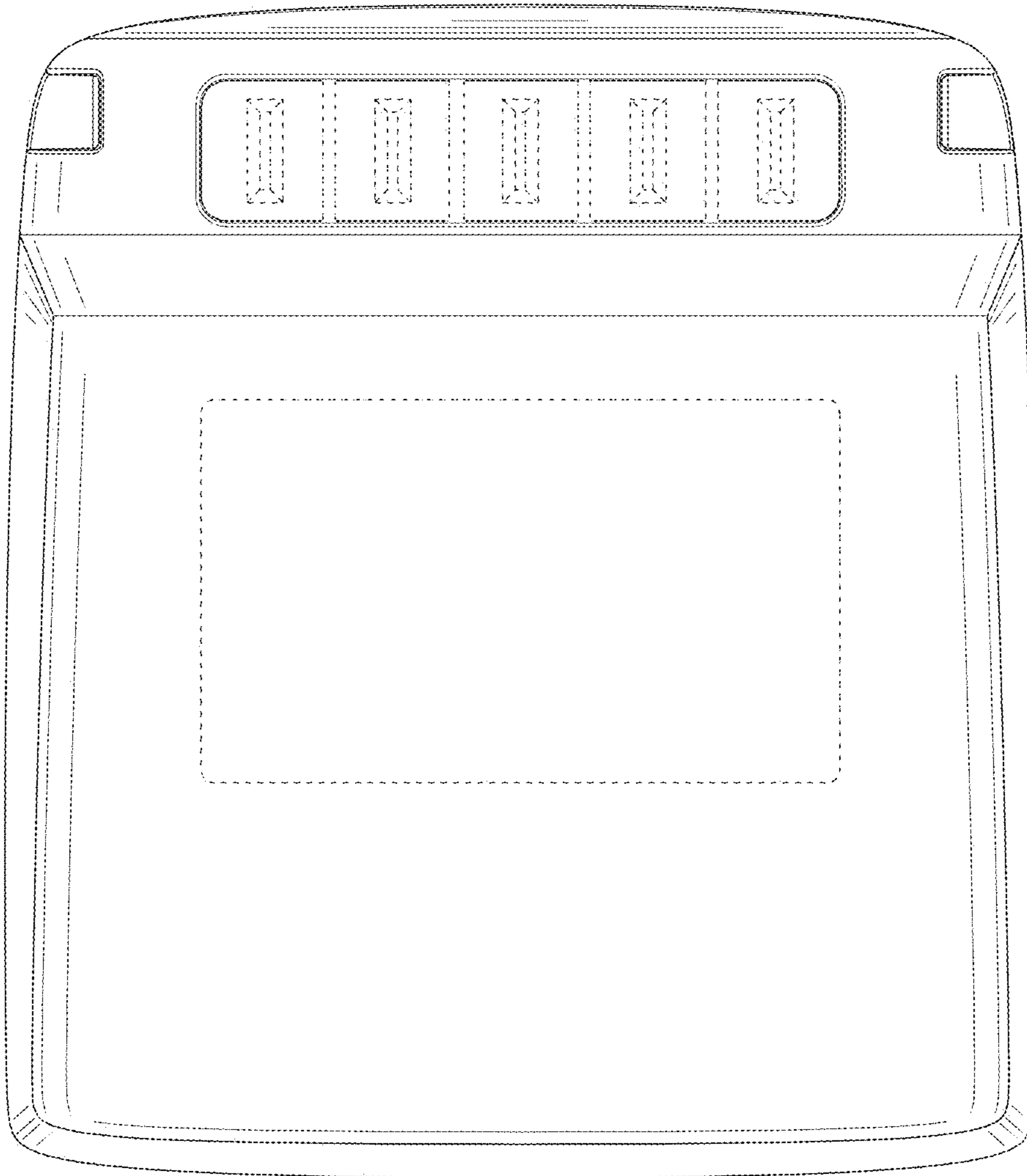


FIG. 8