



US00D941747S

(12) **United States Design Patent** (10) **Patent No.:** **US D941,747 S**  
**Au** (45) **Date of Patent:** **\*\* Jan. 25, 2022**

- (54) **SOLAR TRACKER DRIVE APPARATUS** 4,227,513 A 10/1980 Blake et al.
- 4,276,872 A 7/1981 Blake et al.
- (71) Applicant: **NEXTRACKER INC.**, Fremont, CA 4,317,031 A 2/1982 Findell  
(US) 4,383,520 A 5/1983 Huebl et al.
- (72) Inventor: **Alexander W. Au**, Oakland, CA (US) D331,189 S 11/1992 Daigle et al.
- (73) Assignee: **NEXTRACKER INC.**, Fremont, CA D371,958 S \* 7/1996 Keaton ..... D7/388  
(US) 5,622,078 A \* 4/1997 Mattson ..... F16H 25/186  
74/89.23
- (\*\*) Term: **15 Years** D403,750 S \* 1/1999 Fabian ..... D23/254
- (21) Appl. No.: **29/770,137** D438,093 S 2/2001 Mandujano
- (22) Filed: **Feb. 9, 2021** D439,833 S 4/2001 Nakamura
- D496,337 S \* 9/2004 Kaizu ..... D13/173
- D563,328 S \* 3/2008 Sano ..... D13/173
- D627,717 S 11/2010 Munoz et al.
- D651,969 S 1/2012 Turk et al.
- D651,970 S 1/2012 Turk et al.
- 8,168,931 B1 5/2012 Thel
- 8,181,926 B2 5/2012 Magno, Jr. et al.

**Related U.S. Application Data**

- (62) Division of application No. 29/613,310, filed on Aug. 9, 2017, now Pat. No. Des. 909,955, which is a division of application No. 29/516,653, filed on Feb. 4, 2015, now Pat. No. Des. 832,200.

(51) **LOC (13) Cl.** ..... **13-02**

(52) **U.S. Cl.**  
USPC ..... **D13/102**

(58) **Field of Classification Search**

USPC .... D13/102, 118, 184, 199; D8/72, 74, 349, D8/354, 355

CPC ..... F24J 2/38; F24J 2/40; F24J 2/54; F24J 2/405; F24J 2/4638; F24J 2002/385; H01L 31/042; H01L 31/043; H01L 31/048; H01L 31/052; H01L 31/0475; H01L 31/0485; H01L 31/0525; Y02E 10/47; F24S 30/425; F24S 30/452; F24S 23/77; G01S 3/7861; H02S 40/34

See application file for complete search history.

(56) **References Cited**

**U.S. PATENT DOCUMENTS**

- 3,017,848 A \* 1/1962 Bishop ..... B63H 11/08  
440/38
- 4,146,784 A 3/1979 Yekutieli

*Primary Examiner* — Derrick E Holland  
(74) *Attorney, Agent, or Firm* — Weber Rosselli & Cannon LLP

(57) **CLAIM**

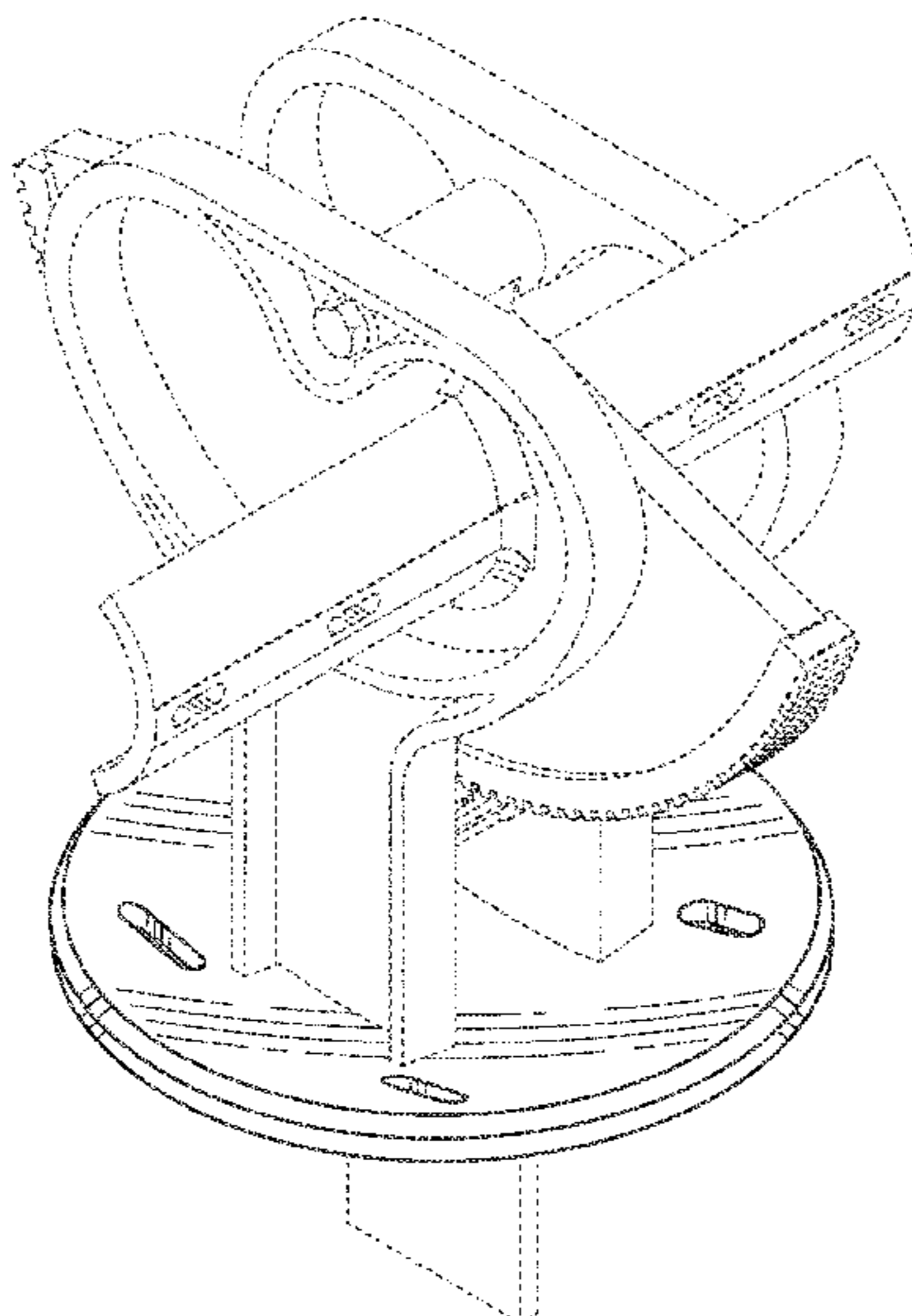
The ornamental design for a solar tracker drive apparatus, as shown and described.

**DESCRIPTION**

FIG. 1 is a perspective view of a solar tracker drive apparatus according to the present invention; FIG. 2 is a front elevation view thereof; FIG. 3 is a back elevation view thereof; FIG. 4 is a first side elevation view thereof; FIG. 5 is a second side elevation view thereof; FIG. 6 is a top plan view thereof; and, FIG. 7 is a bottom plan view thereof.

The broken lines shown represent the portions of the solar tracker drive apparatus that form no part of the claimed design.

**1 Claim, 7 Drawing Sheets**



(56)

**References Cited**

U.S. PATENT DOCUMENTS

8,274,028	B2	9/2012	Needham	
8,459,249	B2	6/2013	Corio	
8,881,720	B2 *	11/2014	Carrier	..... F24S 23/77 126/607
D730,277	S	5/2015	Rangesh et al.	
D779,345	S *	2/2017	Jacob	..... D10/50
2004/0238025	A1	12/2004	Shingleton	
2010/0071755	A1	3/2010	Kruse	
2011/0253195	A1	10/2011	Kim	
2013/0206712	A1	8/2013	Magalhaes et al.	
2015/0194561	A1	7/2015	Toya et al.	
2016/0123383	A1	5/2016	Lamb et al.	

\* cited by examiner

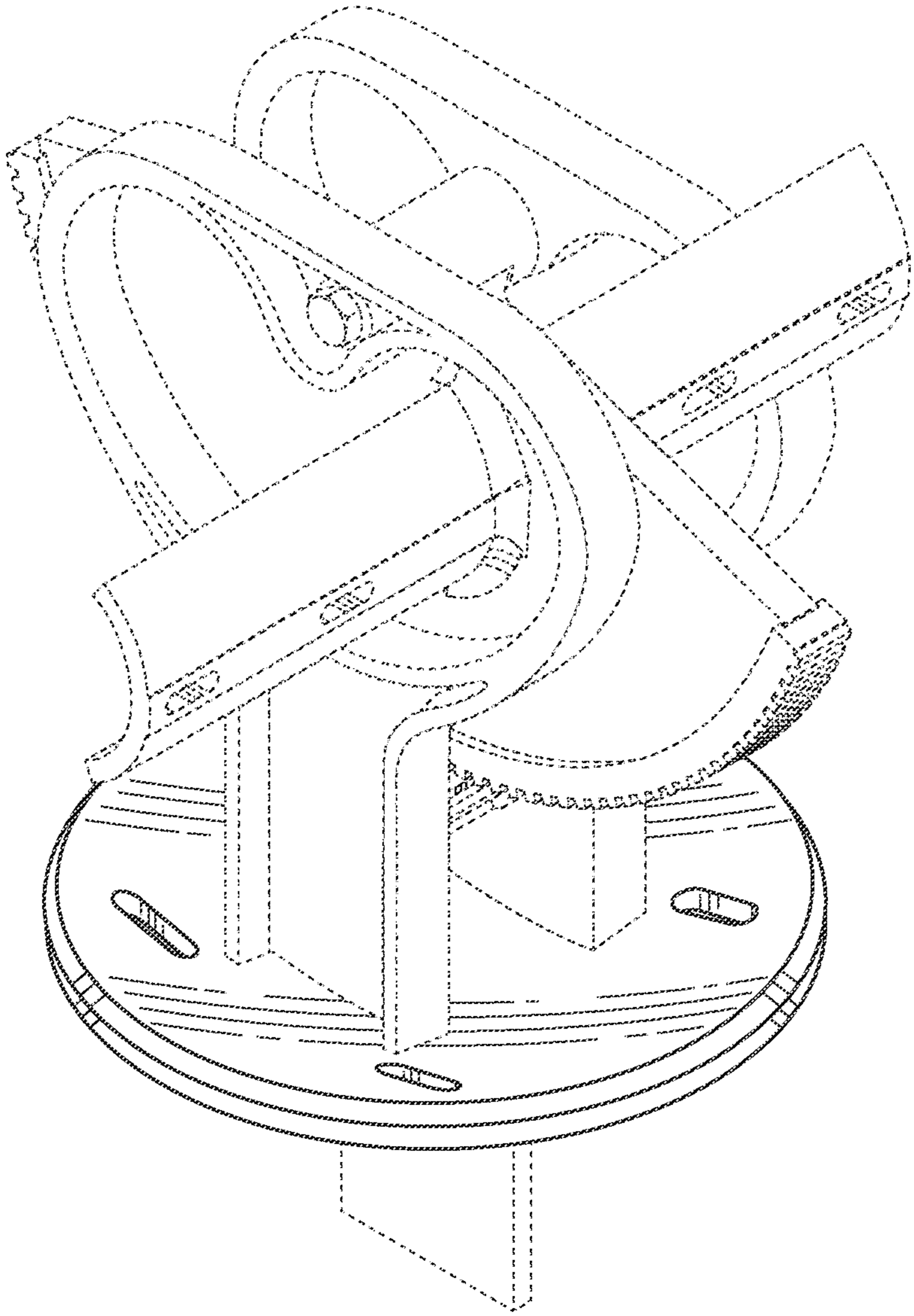


FIG. 1

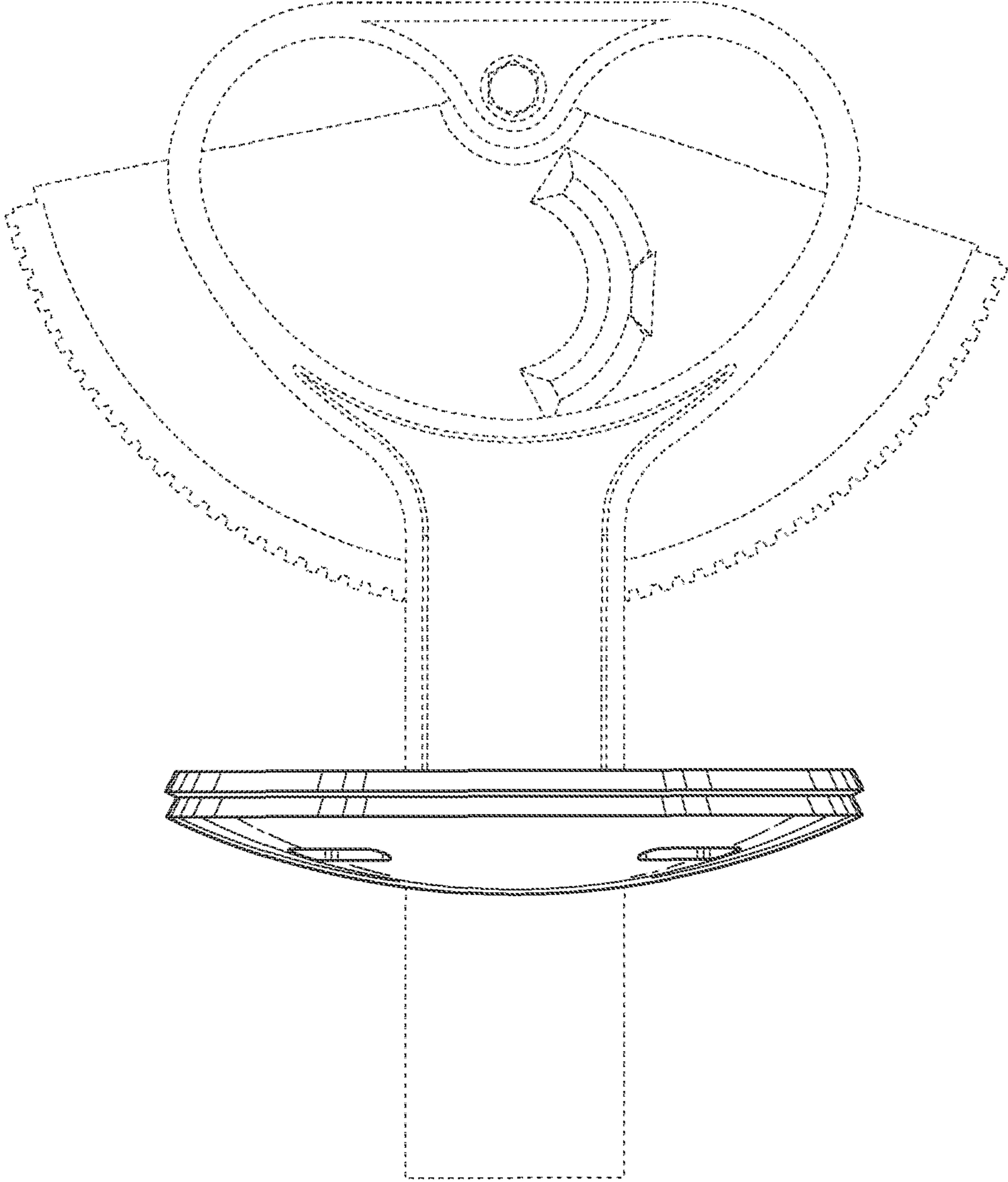


FIG. 2

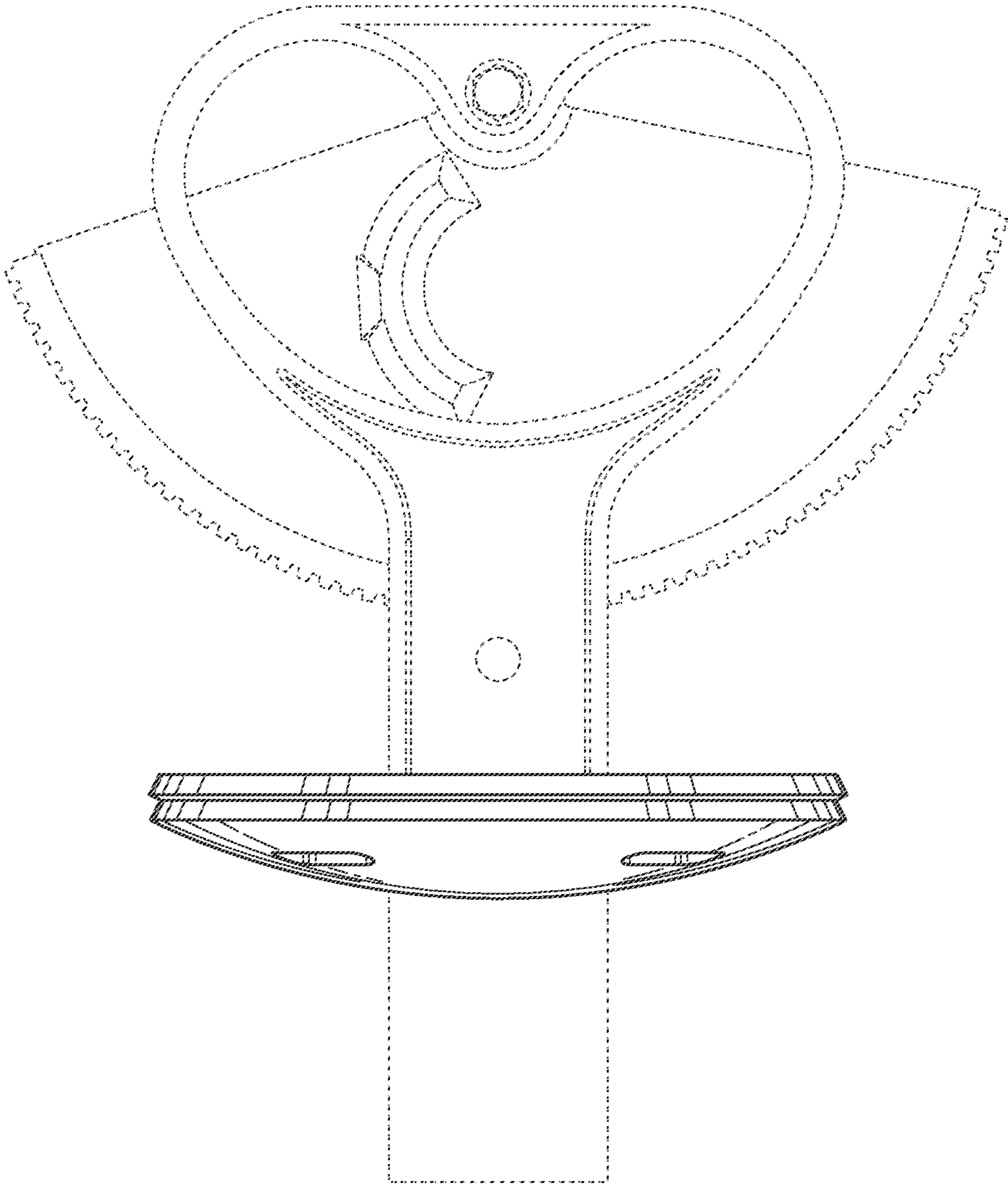


FIG. 3

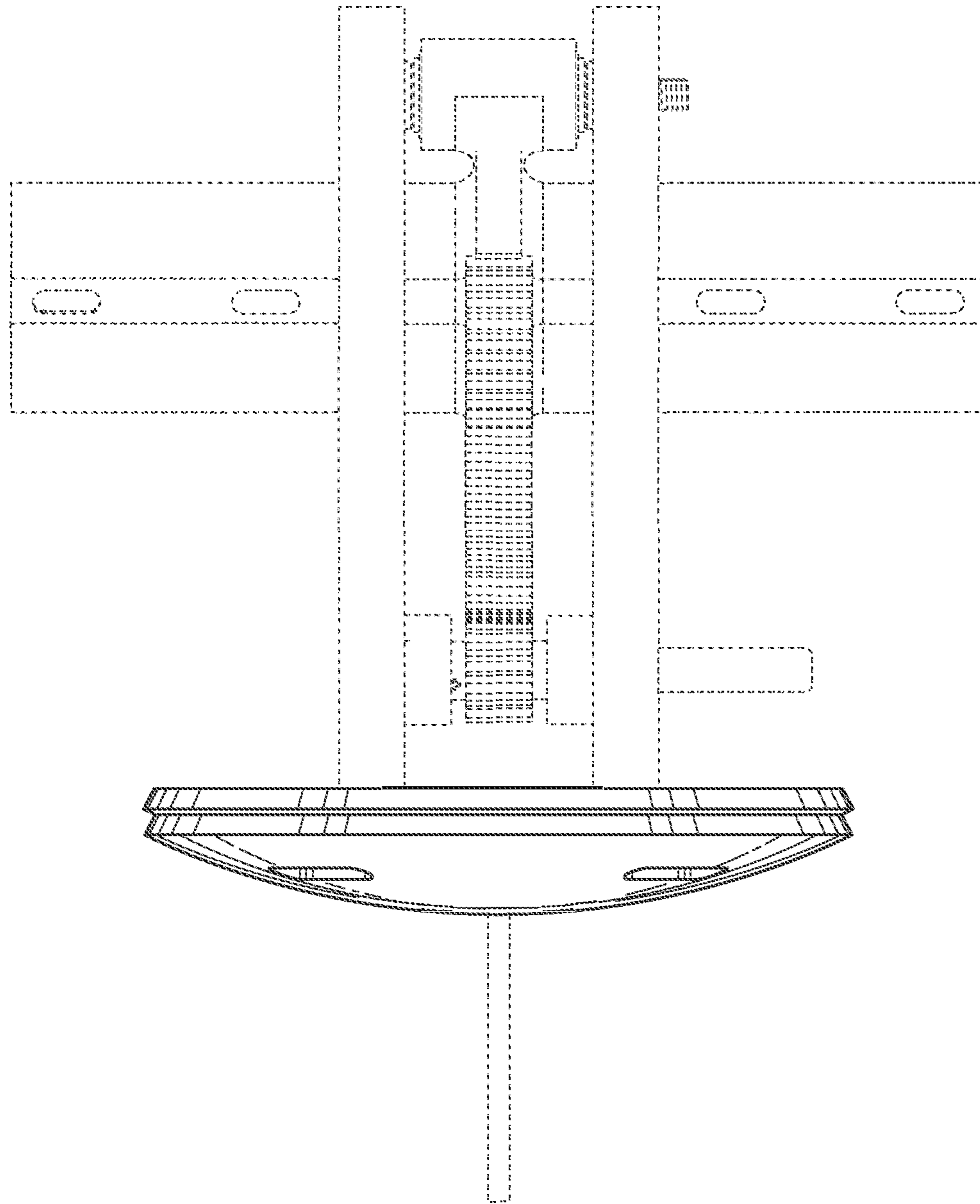


FIG. 4

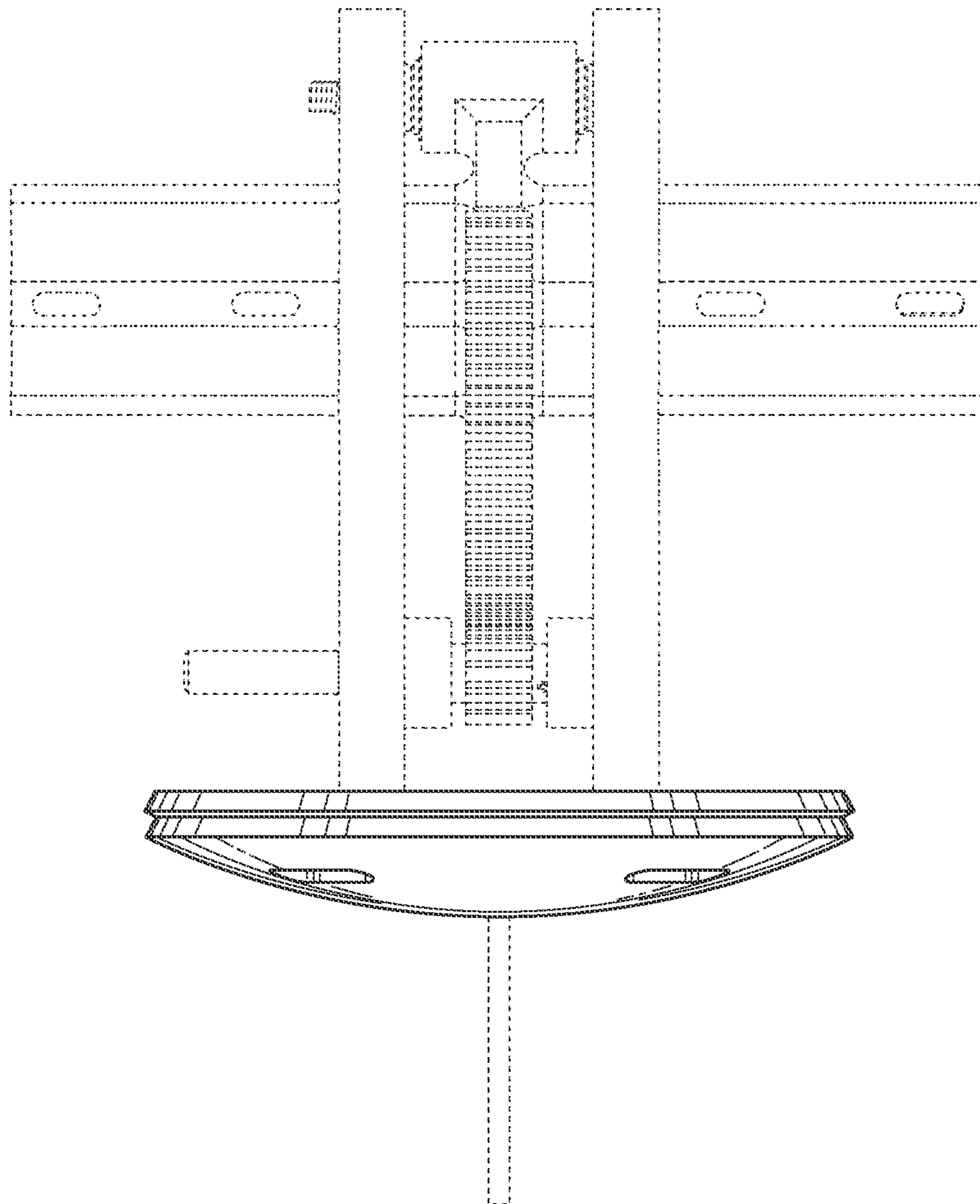


FIG. 5

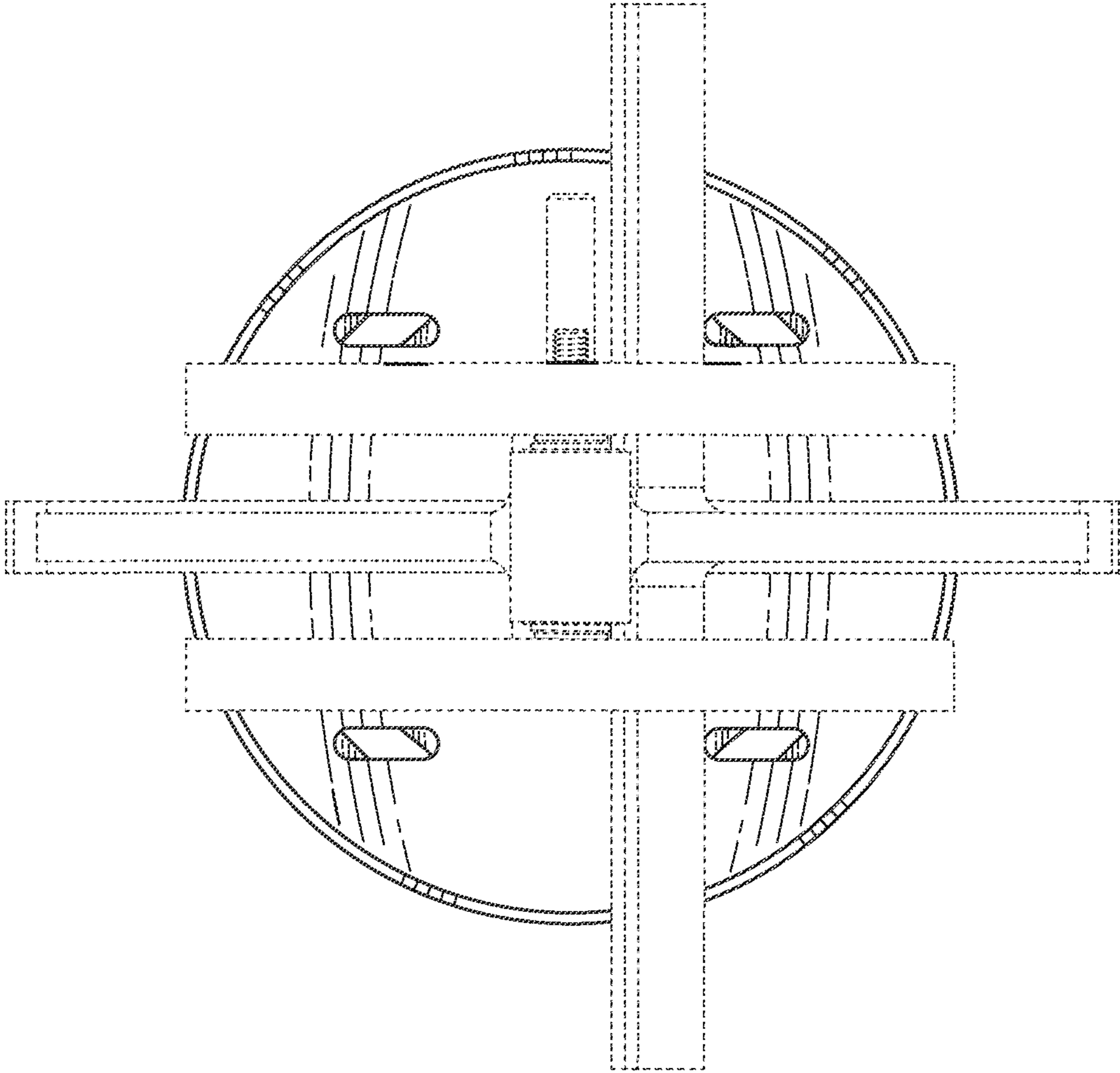


FIG. 6



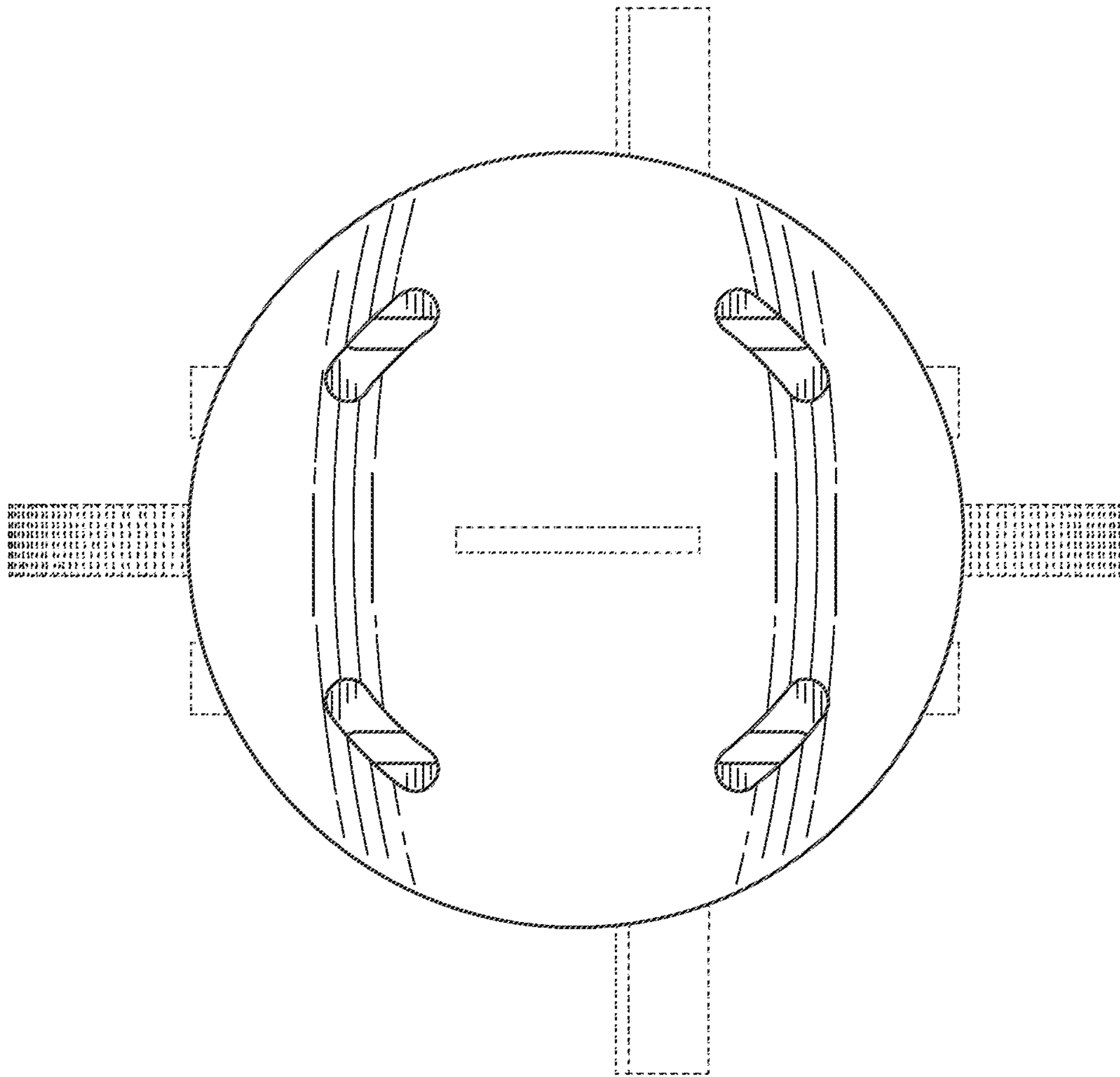


FIG. 7