



US00D941742S

(12) **United States Design Patent** (10) **Patent No.:** **US D941,742 S**
Schmidt et al. (45) **Date of Patent:** **** Jan. 25, 2022**

(54) **AIRCRAFT**

(71) Applicant: **The Boeing Company**, Chicago, IL (US)

(72) Inventors: **Gregory M. Schmidt**, Lake Forest Park, WA (US); **Kenneth D. Cominsky**, Lake Stevens, WA (US)

(73) Assignee: **The Boeing Company**, Chicago, IL (US)

(**) Term: **15 Years**

(21) Appl. No.: **29/716,765**

(22) Filed: **Dec. 11, 2019**

(51) **LOC (13) Cl.** **12-01**

(52) **U.S. Cl.**
USPC **D12/343**

(58) **Field of Classification Search**
USPC D12/1, 2, 3, 4, 16.1, 174, 319-345;
D21/436-455; D13/109
CPC B64C 29/0033; B64C 2201/021; B64C
29/02; B64C 2201/088; B64C 2201/104;
B64C 2201/141
See application file for complete search history.

(56) **References Cited**

U.S. PATENT DOCUMENTS

| | | | | |
|----------------|---------|------------|-------|------------------------|
| D308,663 S * | 6/1990 | Carlson | | D12/337 |
| D326,842 S * | 6/1992 | Buchsel | | D12/319 |
| D358,577 S * | 5/1995 | Sutter | | D12/337 |
| D397,989 S * | 9/1998 | Al-Sabah | | D12/319 |
| D426,804 S * | 6/2000 | Birrenbach | | D12/319 |
| 6,446,911 B1 * | 9/2002 | Yount | | G05D 1/0077 244/195 |
| D576,938 S * | 9/2008 | Moon | | D12/343 |
| D624,479 S * | 9/2010 | Guering | | D12/343 |
| D629,349 S * | 12/2010 | Hwang | | D12/319 |
| D702,622 S * | 4/2014 | Klimov | | D12/319 |

(Continued)

Primary Examiner — John A Voytek

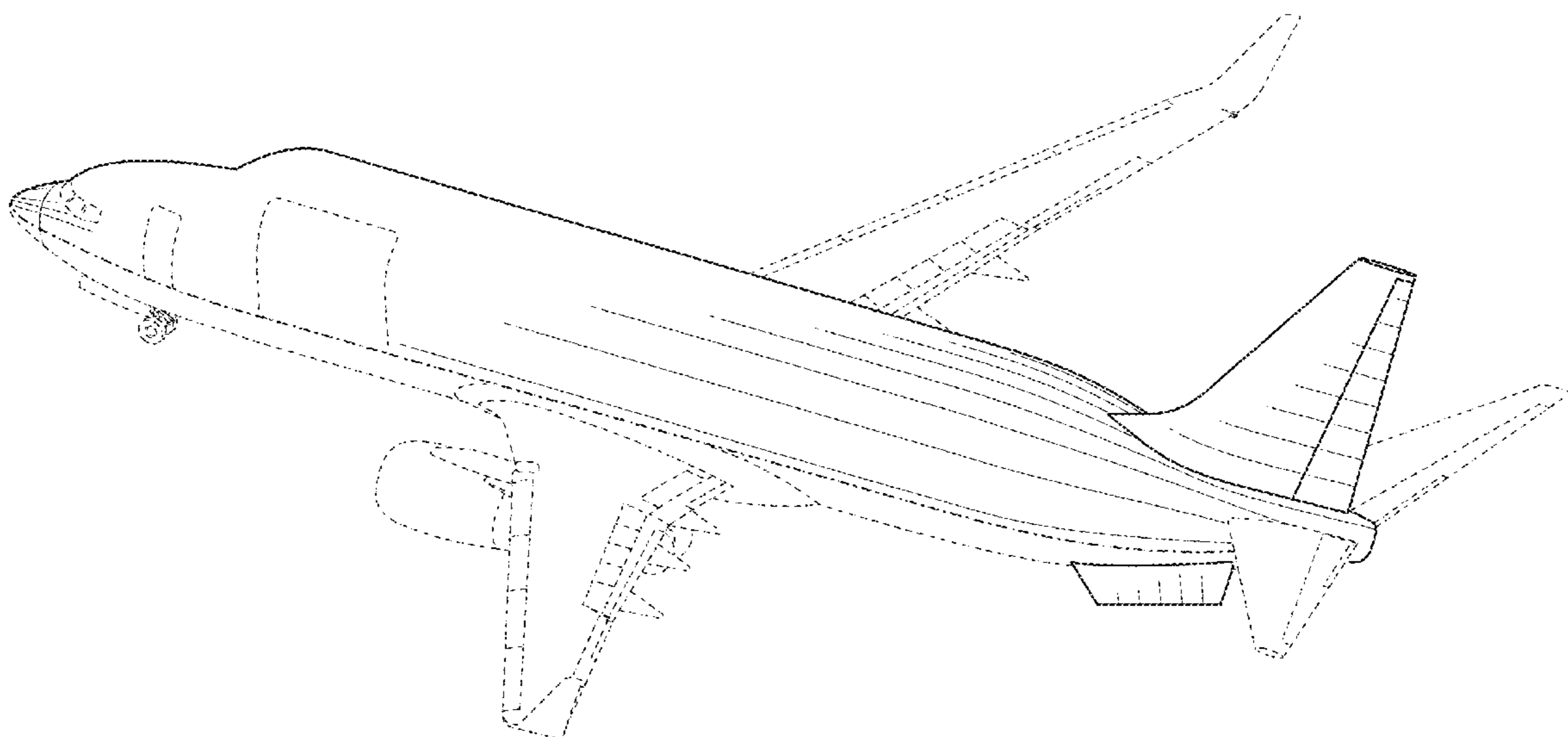
(57) **CLAIM**

The ornamental design for an aircraft, as shown and described.

DESCRIPTION

FIG. 1 is a top perspective view of a first embodiment of an ornamental design of an aircraft;
 FIG. 2 is a front elevational view of the first embodiment of the ornamental design of the aircraft;
 FIG. 3 is a rear elevational view of the first embodiment of the ornamental design of the aircraft;
 FIG. 4 is a side elevational view of the first embodiment of the ornamental design of the aircraft;
 FIG. 5 is another side elevational view of the first embodiment of the ornamental design of the aircraft;
 FIG. 6 is a top plan view of the first embodiment of the ornamental design of the aircraft;
 FIG. 7 is a bottom plan view of the first embodiment of the ornamental design of the aircraft;
 FIG. 8 is a top perspective view of a second embodiment of an ornamental design of an aircraft;
 FIG. 9 is a front elevational view of the second embodiment of the ornamental design of the aircraft;
 FIG. 10 is a rear elevational view of the second embodiment of the ornamental design of the aircraft;
 FIG. 11 is a side elevational view of the second embodiment of the ornamental design of the aircraft;
 FIG. 12 is another side elevational view of the second embodiment of the ornamental design of the aircraft;
 FIG. 13 is a top plan view of the second embodiment of the ornamental design of the aircraft; and,
 FIG. 14 is a bottom plan view of the second embodiment of the ornamental design of the aircraft.
 In the drawings, the broken lines depict portions of the aircraft that form no part of the claimed design. The dot and dashed lines define the bounds of the claimed subject matter and form no part thereof.

1 Claim, 10 Drawing Sheets



(56)

References Cited

U.S. PATENT DOCUMENTS

| | | | |
|-------------------|---------|------------------|-------------------------|
| D749,488 S * | 2/2016 | De Camargo | D12/319 |
| D784,903 S * | 4/2017 | Adams | D12/343 |
| D792,832 S * | 7/2017 | Chung | D12/343 |
| 10,106,244 B2 * | 10/2018 | Good | B64C 13/42 |
| 2004/0031883 A1 * | 2/2004 | Schmidt | B60N 2/995 244/122 R |

* cited by examiner

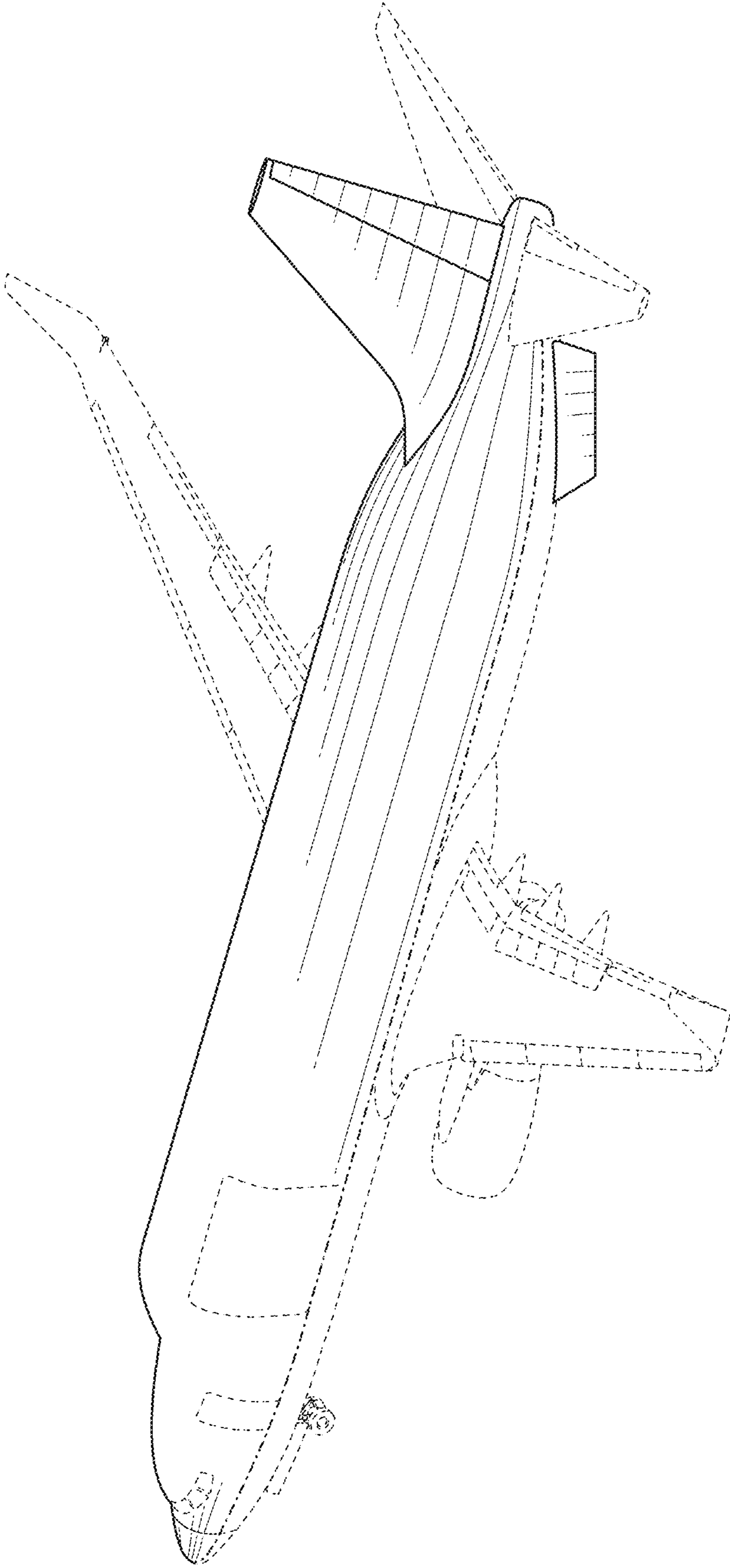


FIG. 1

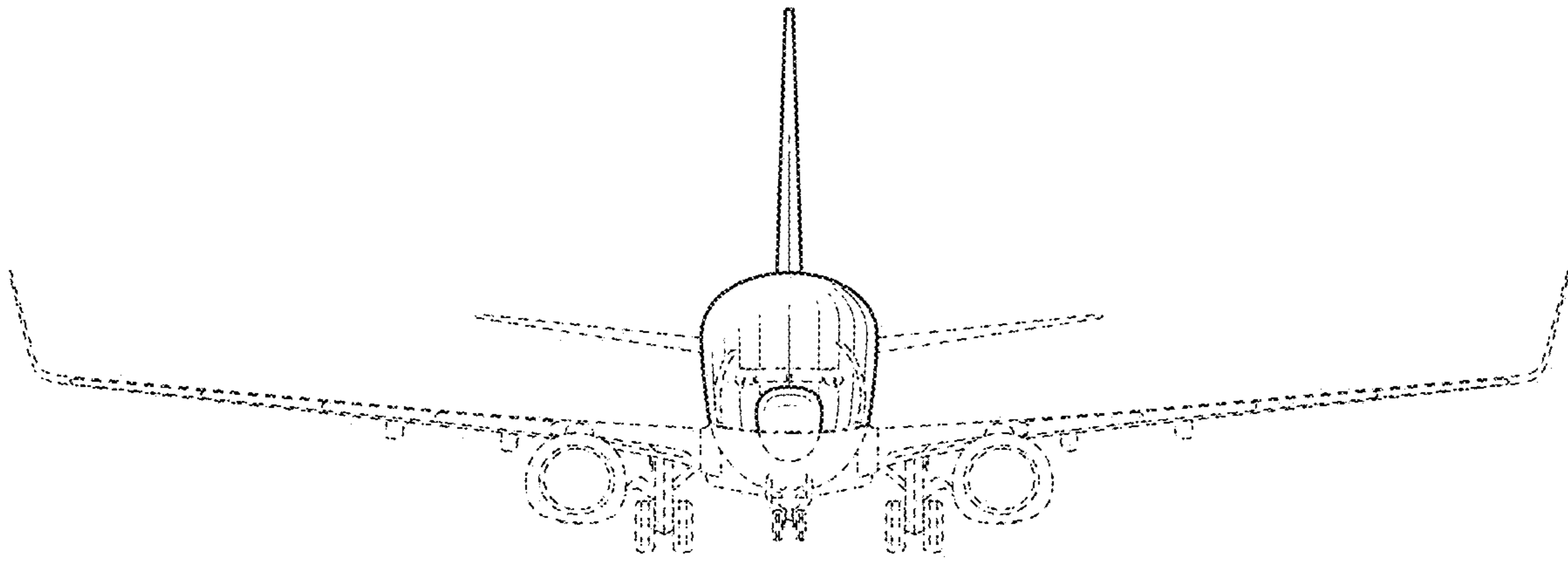


FIG. 2

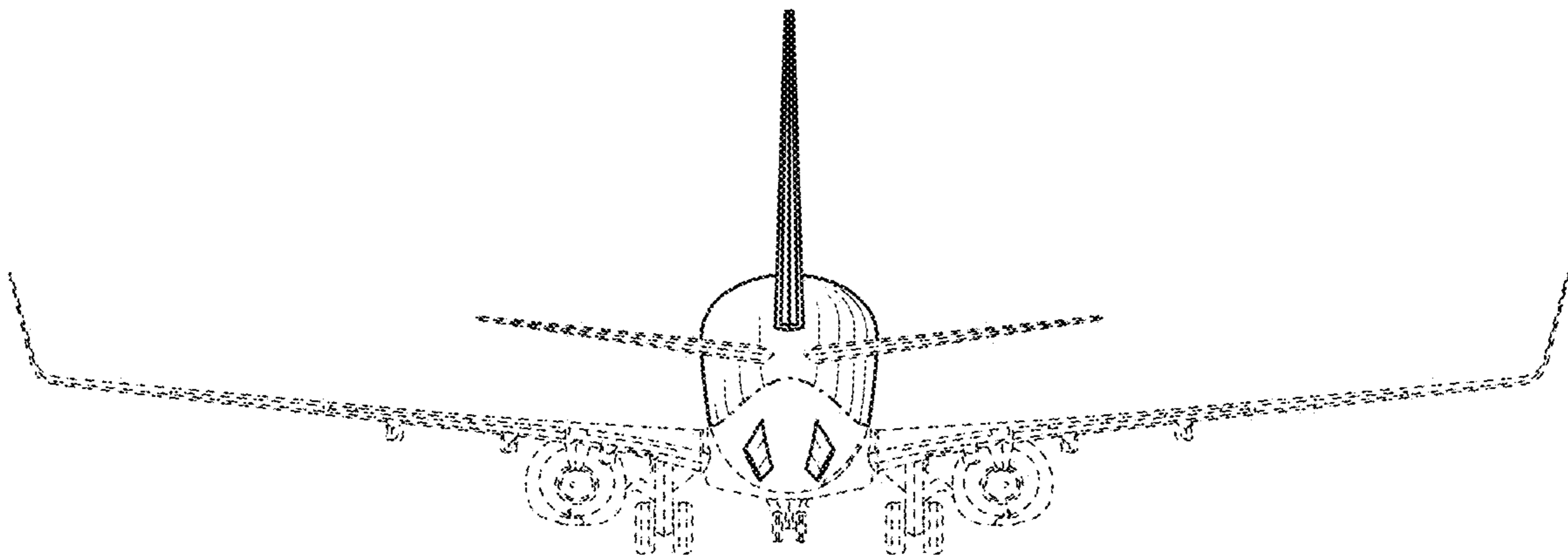


FIG. 3

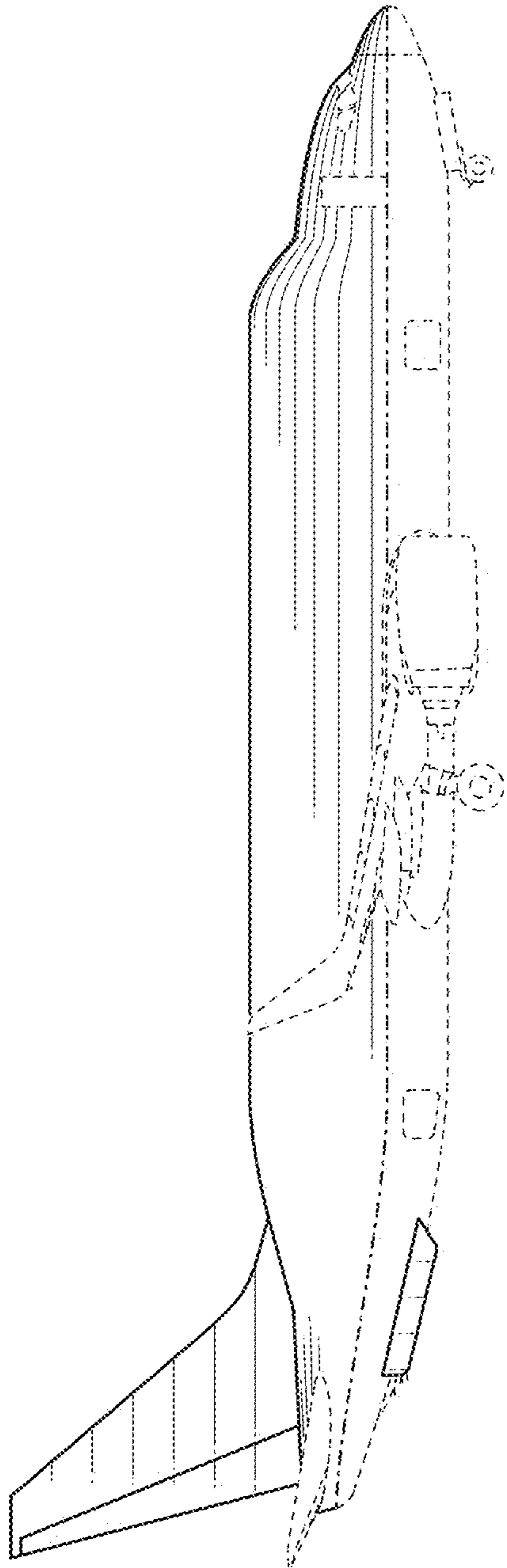


FIG. 4

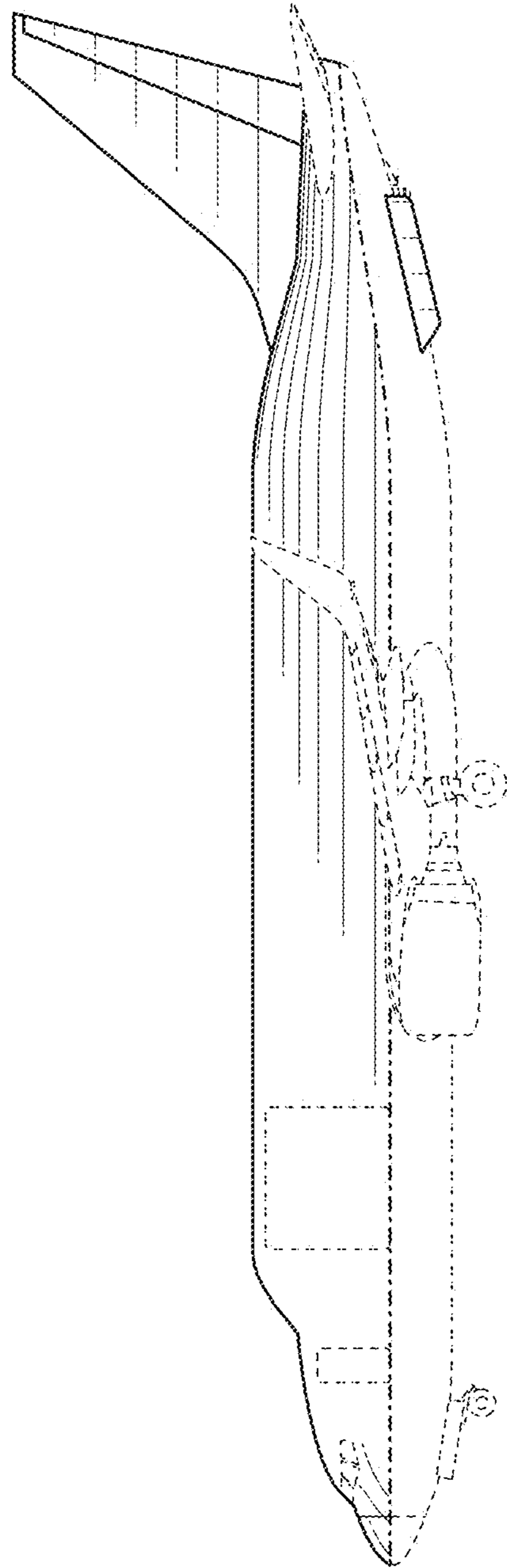


FIG. 5

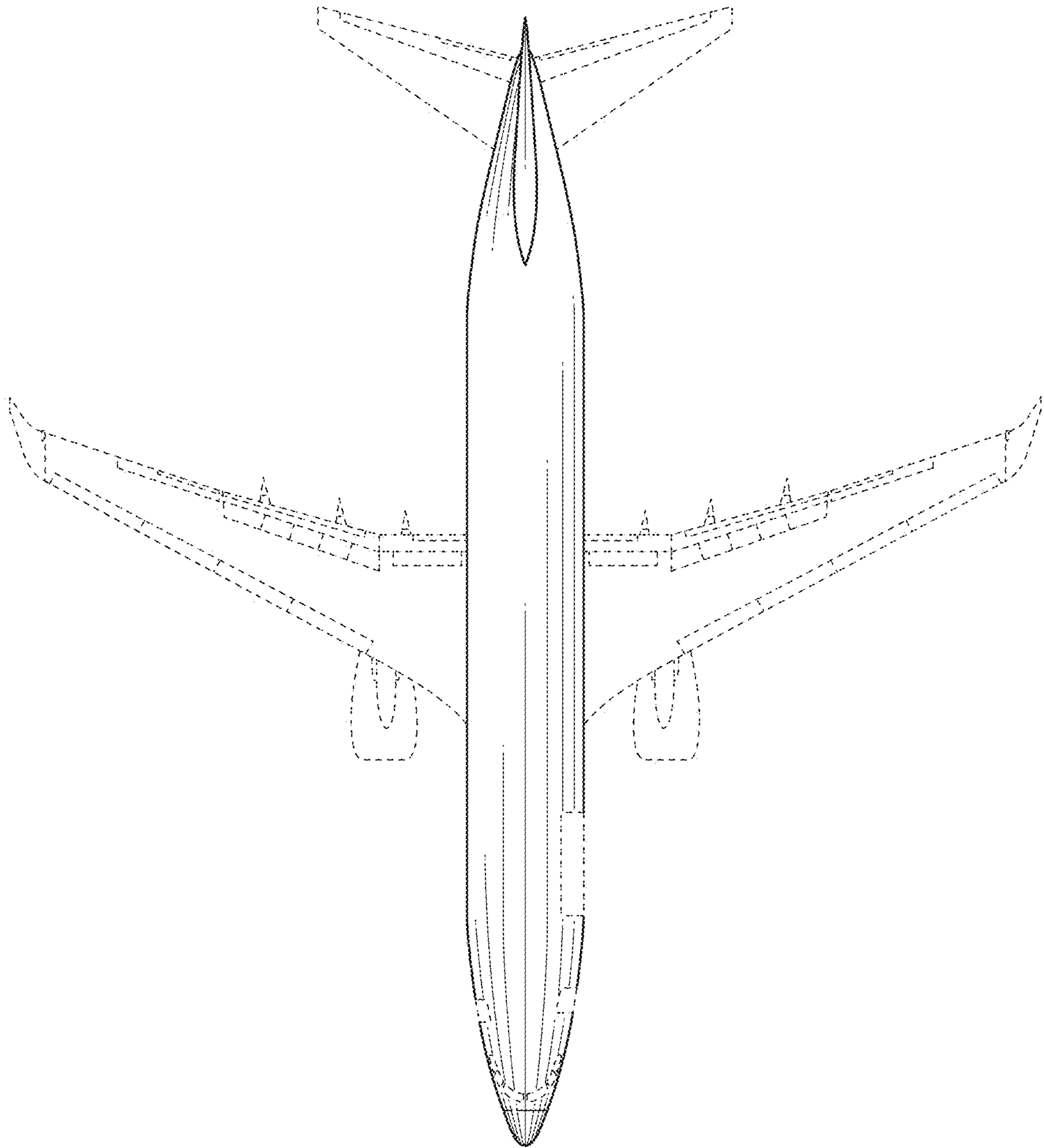


FIG. 6

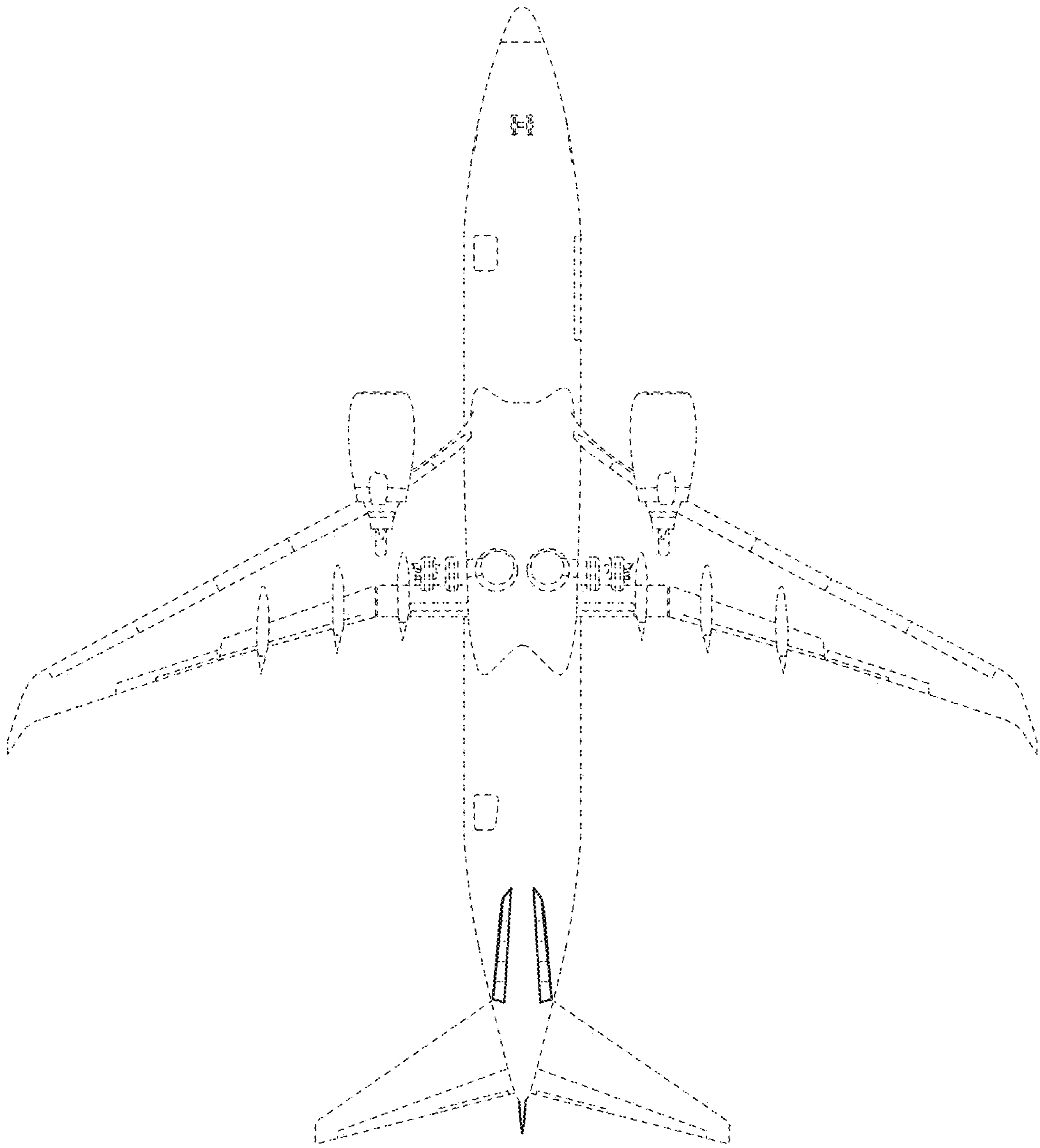


FIG. 7

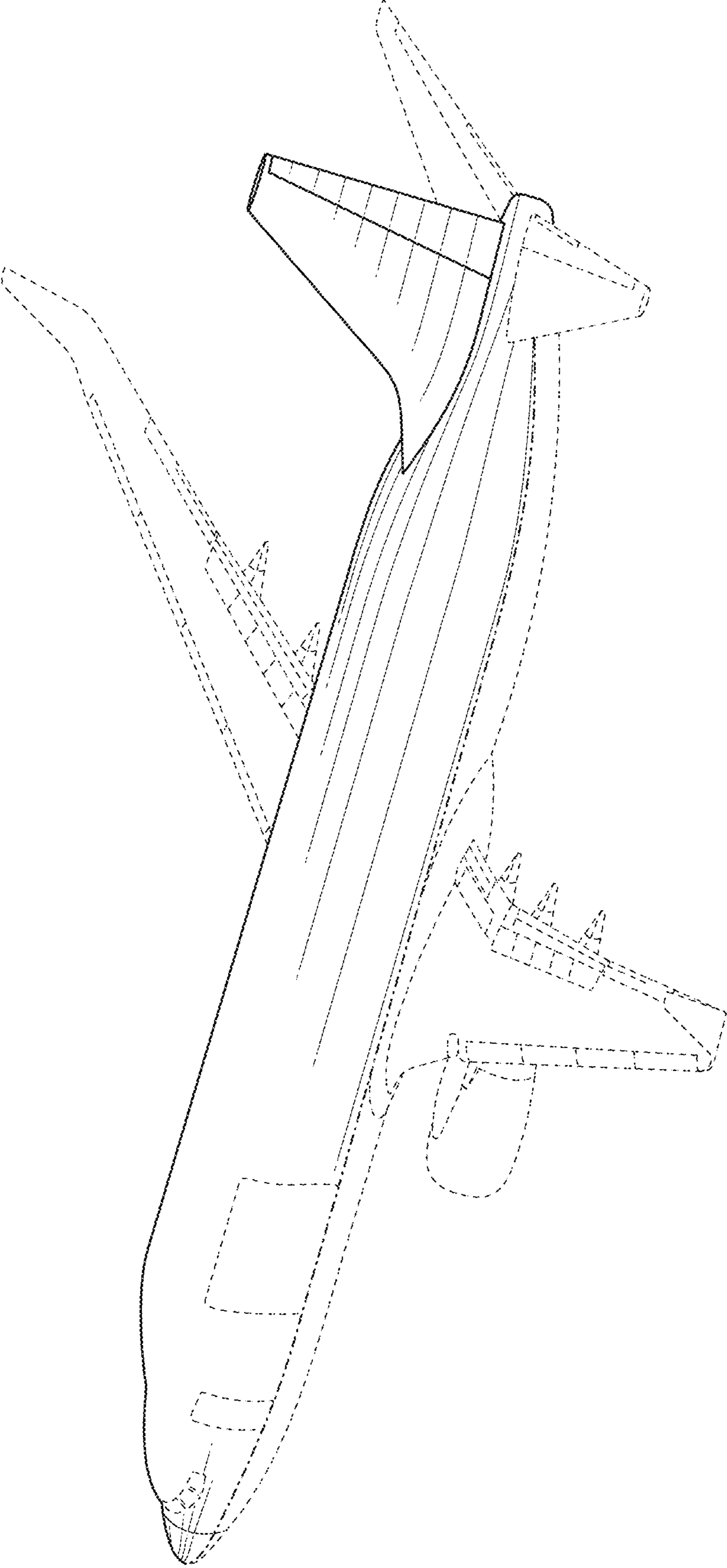


FIG. 8

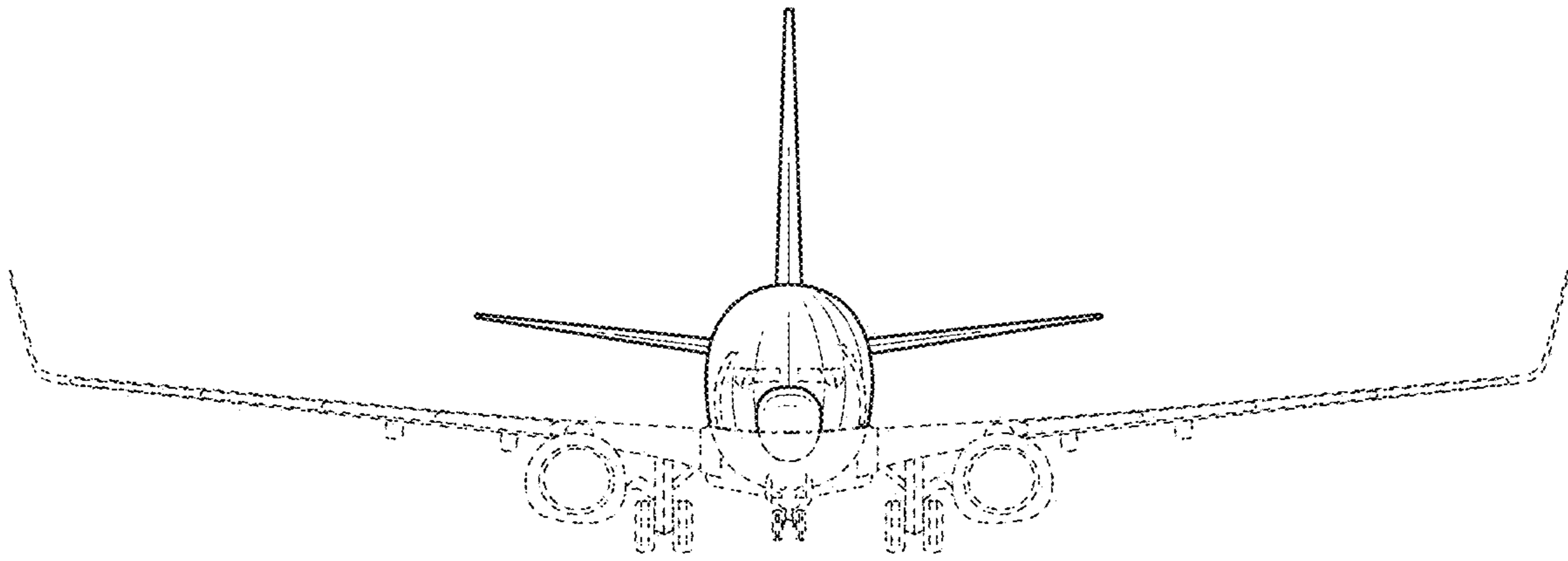


FIG. 9

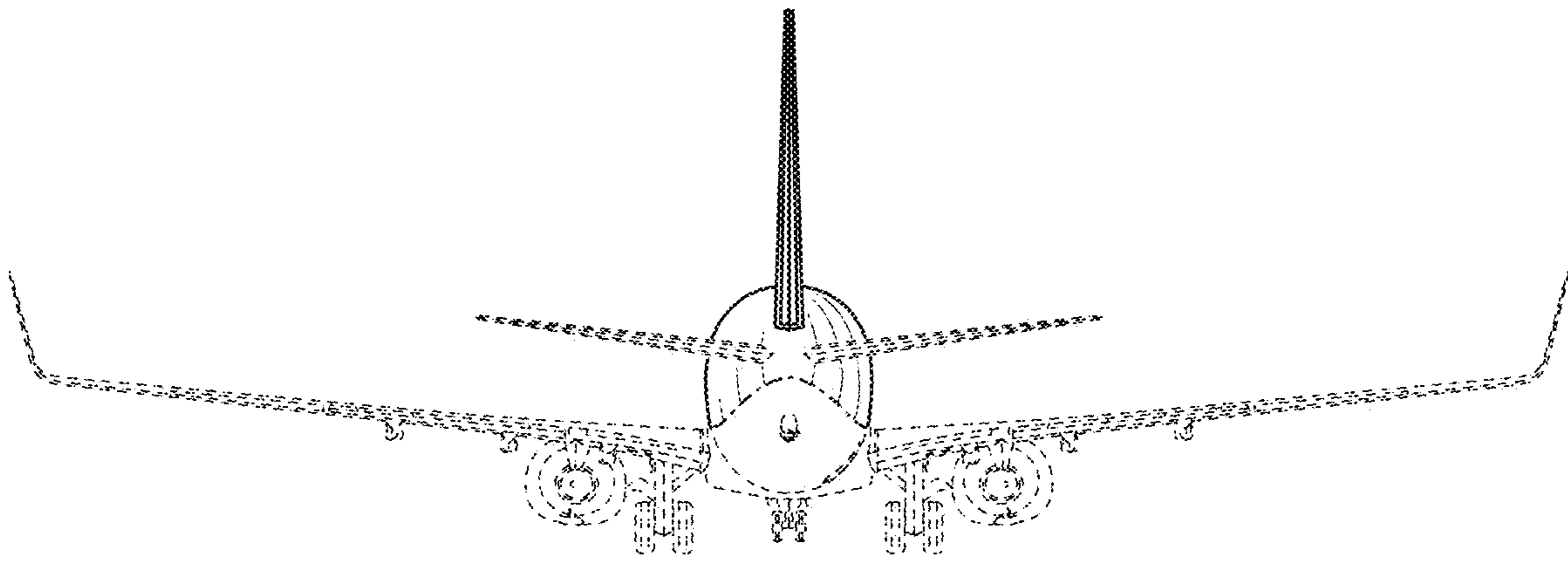


FIG. 10

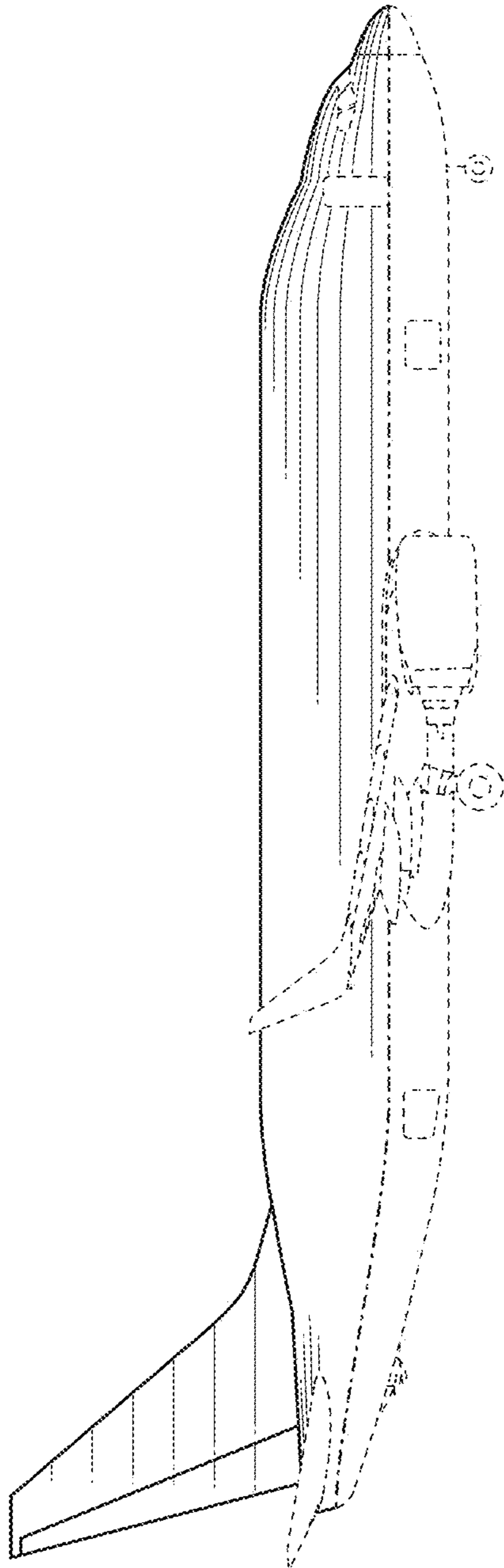


FIG. 11

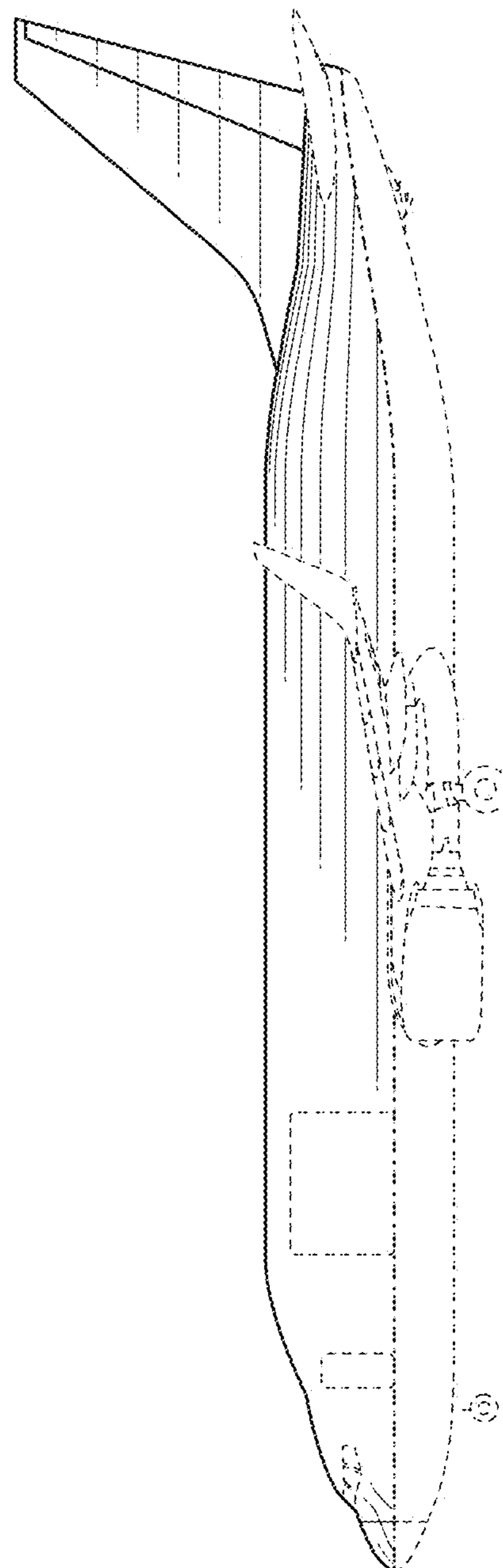


FIG. 12

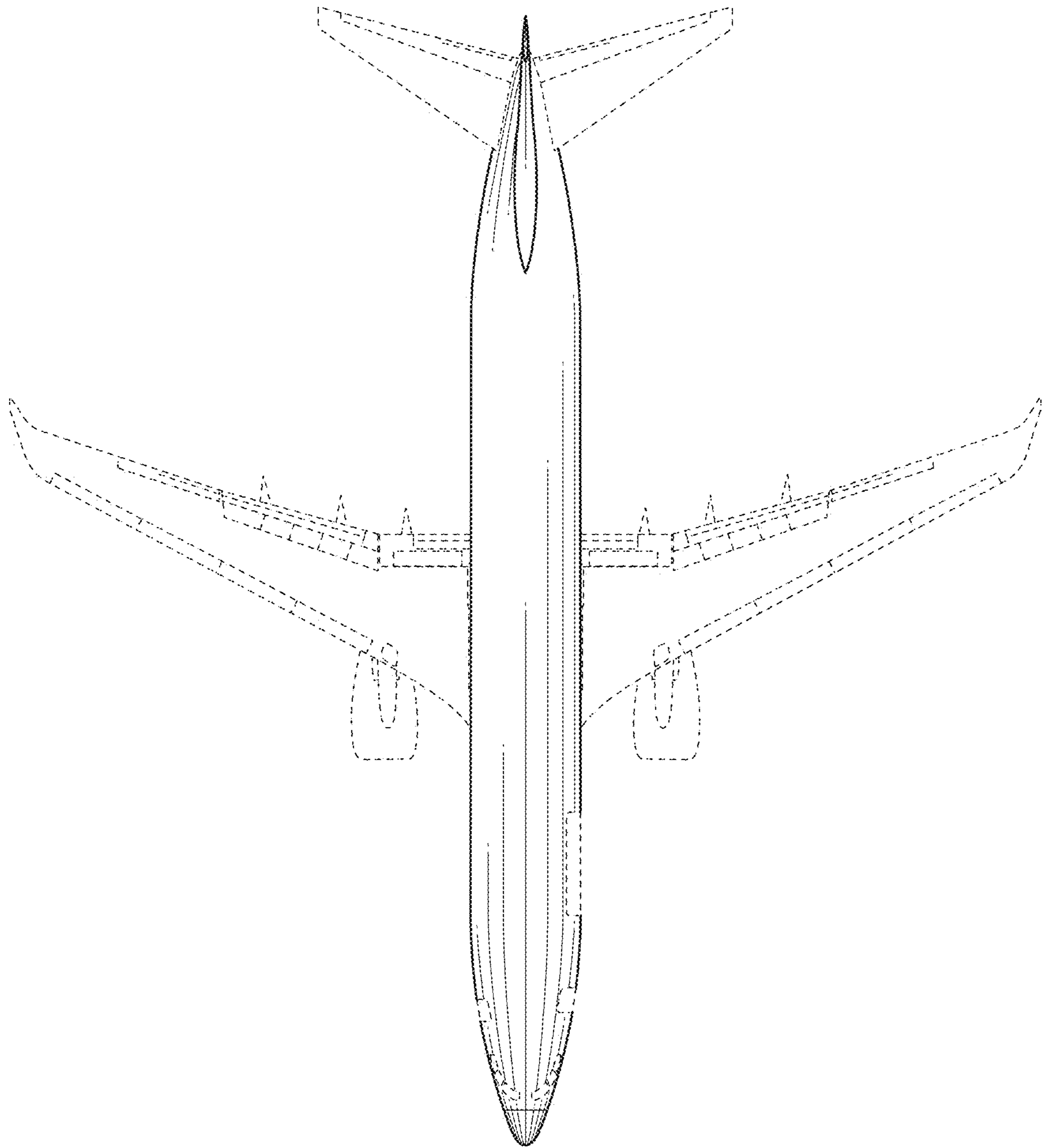


FIG. 13

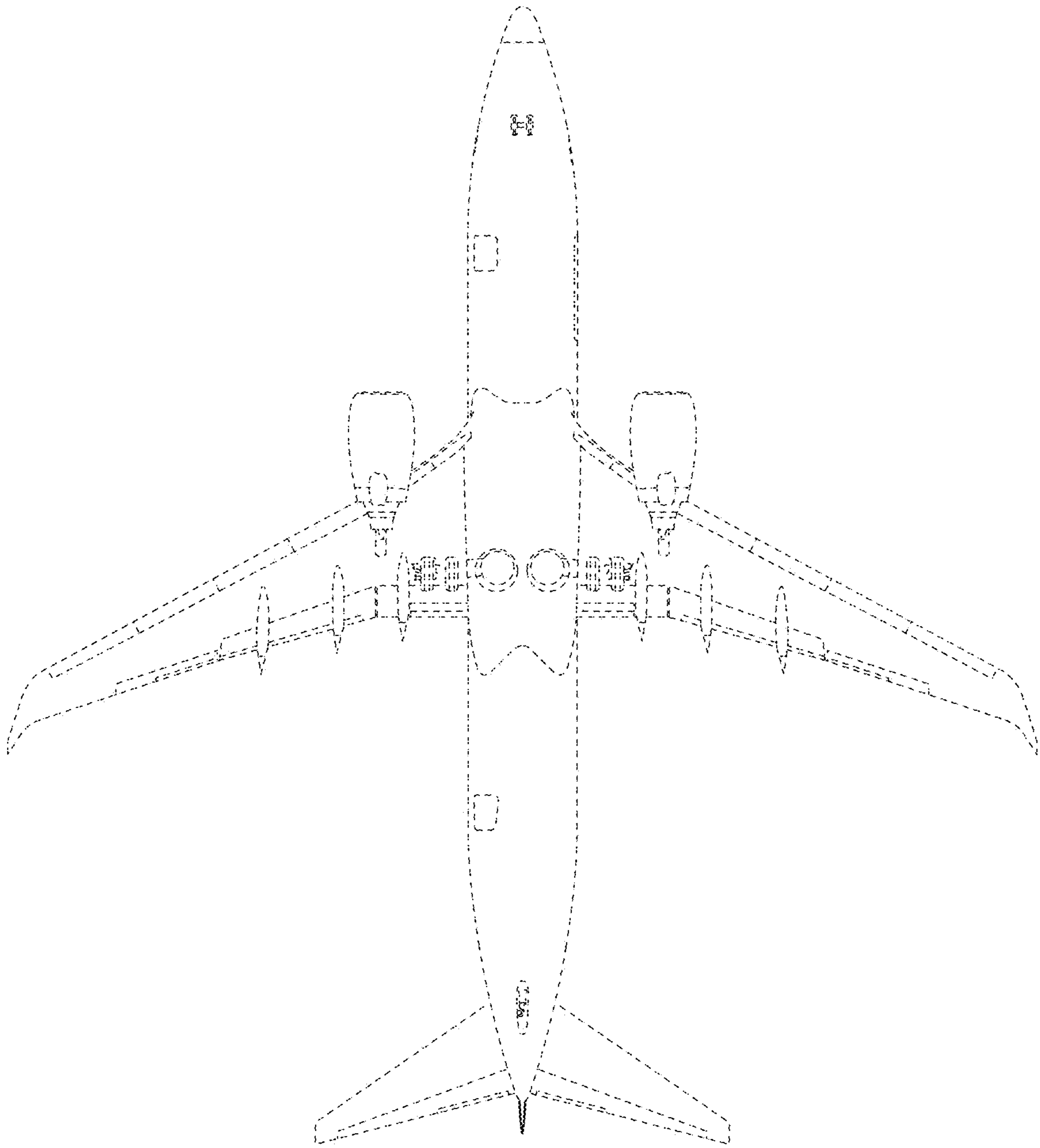


FIG. 14