

US00D941740S

(12) **United States Design Patent**
Aliotti

(10) **Patent No.:** **US D941,740 S**

(45) **Date of Patent:** **** Jan. 25, 2022**

- (54) **STEP ASSISTANT WITH HANDLE**
- (71) Applicant: **Angelo Aliotti**, Aguanga, CA (US)
- (72) Inventor: **Angelo Aliotti**, Aguanga, CA (US)
- (**) Term: **15 Years**
- (21) Appl. No.: **29/755,376**
- (22) Filed: **Oct. 20, 2020**

- 8,371,597 B2 * 2/2013 DeCrescenzo B60R 3/00
280/164.1
- 8,424,643 B1 * 4/2013 Speaks B63B 17/00
182/180.3
- 9,114,856 B2 * 8/2015 Hannan B63B 27/14
- 9,505,467 B2 * 11/2016 Canaris B63B 27/146
- 10,875,609 B1 * 12/2020 Hawkes B63B 27/14
- 2010/0320713 A1 * 12/2010 Mann B60R 3/02
280/163
- 2012/0104721 A1 * 5/2012 Genest B60R 3/02
280/166
- 2014/0131976 A1 * 5/2014 Olds B60P 3/1066
280/414.1
- 2014/0182971 A1 * 7/2014 Hannan B63B 27/14
182/230
- 2018/0057118 A1 * 3/2018 Franklin B63B 17/00

Related U.S. Application Data

- (63) Continuation-in-part of application No. 29/728,751, filed on Mar. 26, 2020.
- (51) **LOC (13) Cl.** **12-06**
- (52) **U.S. Cl.**
USPC **D12/317**; D12/203
- (58) **Field of Classification Search**
USPC D12/106, 203, 317
CPC B63B 17/00; B63B 17/04; B63B 7/085;
B63B 32/77; B63B 27/14; B63B 27/146;
B63B 27/148; B60N 3/02; B60P 3/1066;
B60R 3/00

See application file for complete search history.

* cited by examiner

Primary Examiner — Cynthia M. Chin

(74) *Attorney, Agent, or Firm* — Anderson Law; Owen J. Bates

(57) **CLAIM**

The ornamental design for a step assistant with handle, as shown and described.

DESCRIPTION

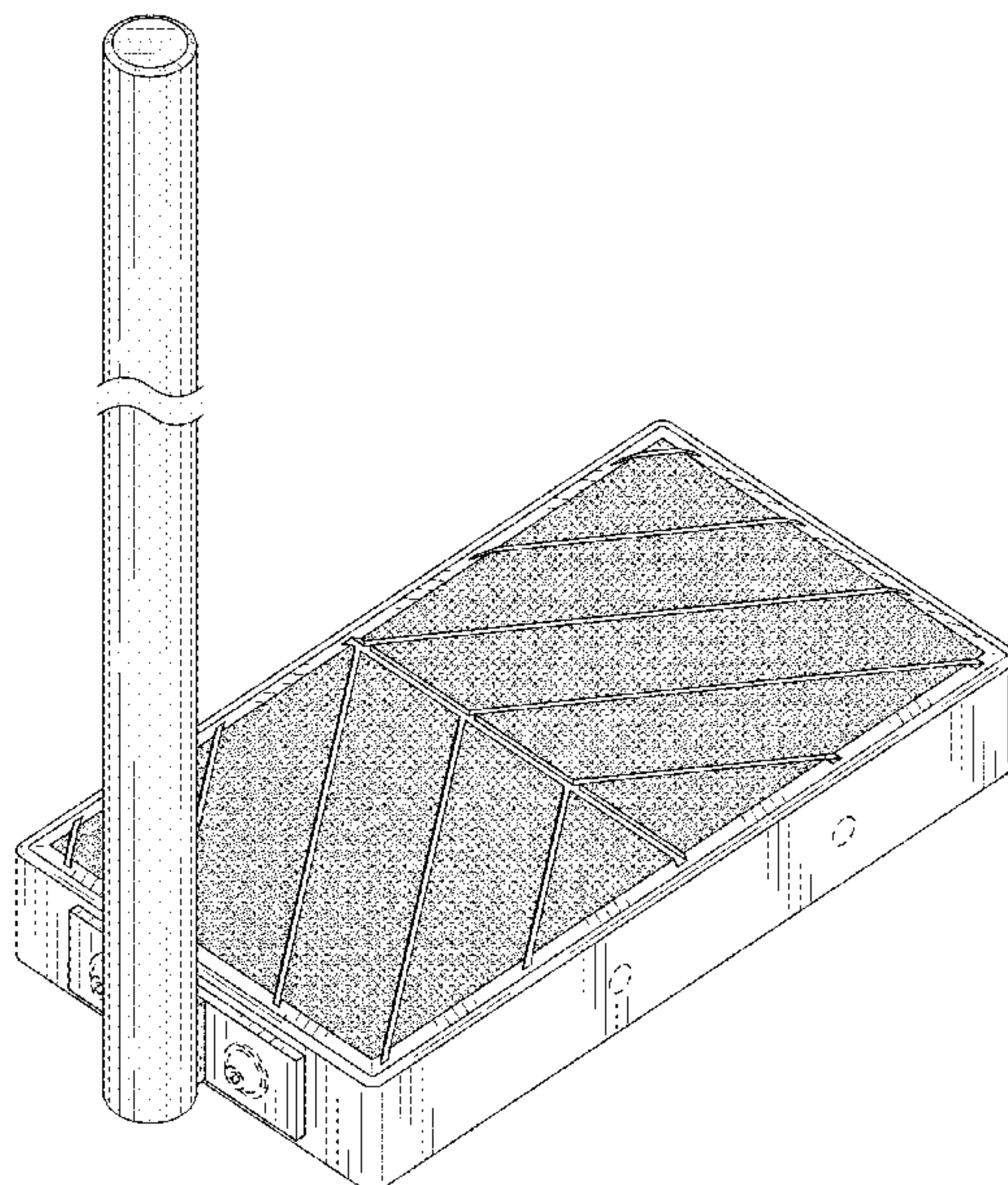
FIG. 1 is an upper perspective view of a step assistant with handle according to the new design;
 FIG. 2 is a lower perspective view thereof;
 FIG. 3 is a top plan view thereof;
 FIG. 4 bottom plan view thereof;
 FIG. 5 is a right side elevation view thereof;
 FIG. 6 is a left side elevation view thereof;
 FIG. 7 is a front side elevation view thereof; and,
 FIG. 8 is a back side elevation view thereof.
 The broken away symbols in the drawings indicate the appearance of any portion of the article between the break lines forms no part of the claimed design.

1 Claim, 6 Drawing Sheets

(56) **References Cited**

U.S. PATENT DOCUMENTS

- 455,639 A * 7/1891 Roden E06C 1/381
182/189
- 3,828,707 A * 8/1974 Young B63B 27/14
114/362
- D371,336 S * 7/1996 Wilson D12/203
- D456,747 S * 5/2002 Louie D12/106
- 6,986,523 B1 * 1/2006 Bickford B60P 3/1066
280/166
- 7,182,035 B1 * 2/2007 Palmer E02B 3/20
114/263
- 8,322,739 B1 * 12/2012 Fair B60P 3/1066
280/164.1



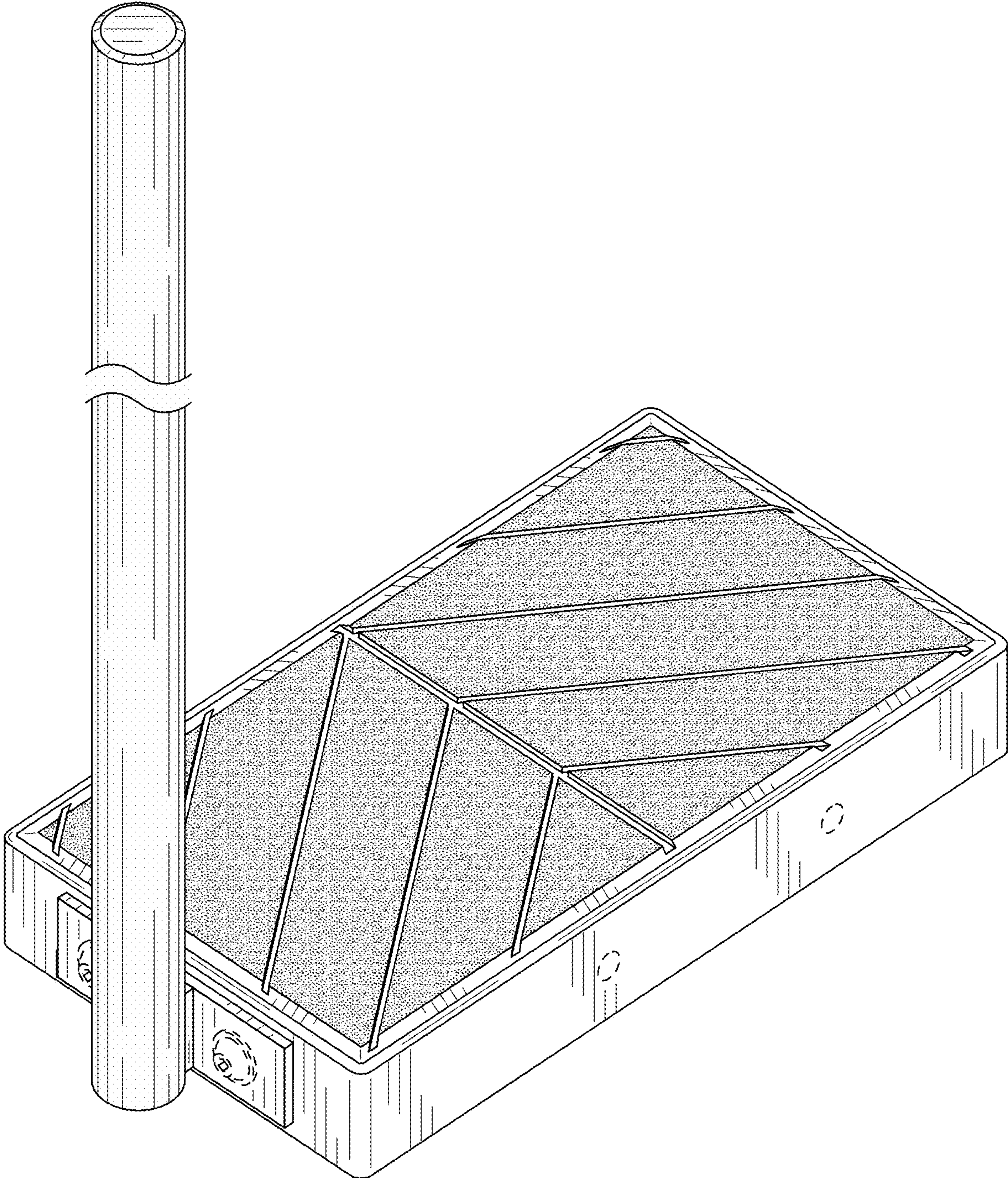


FIG. 1

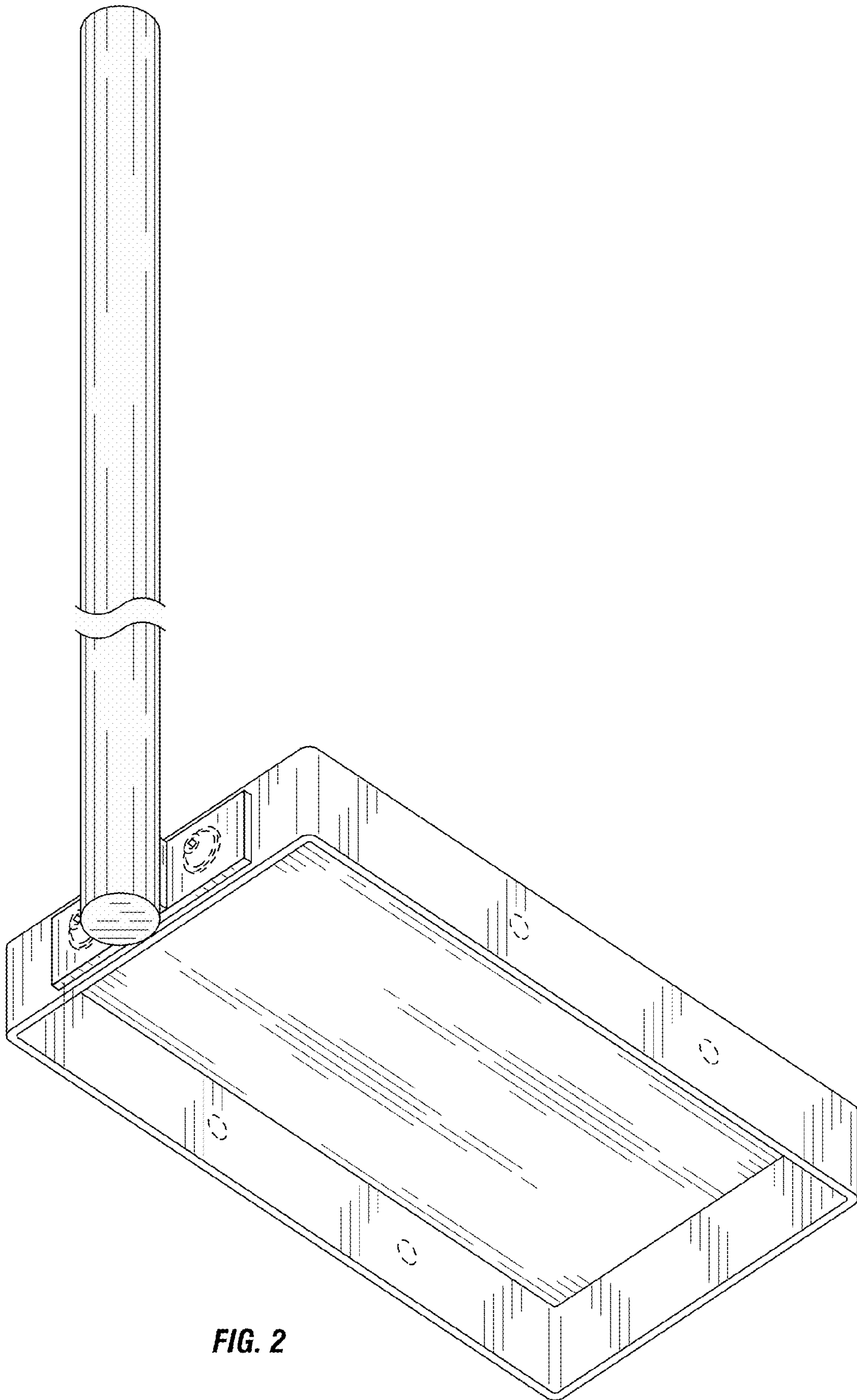


FIG. 2

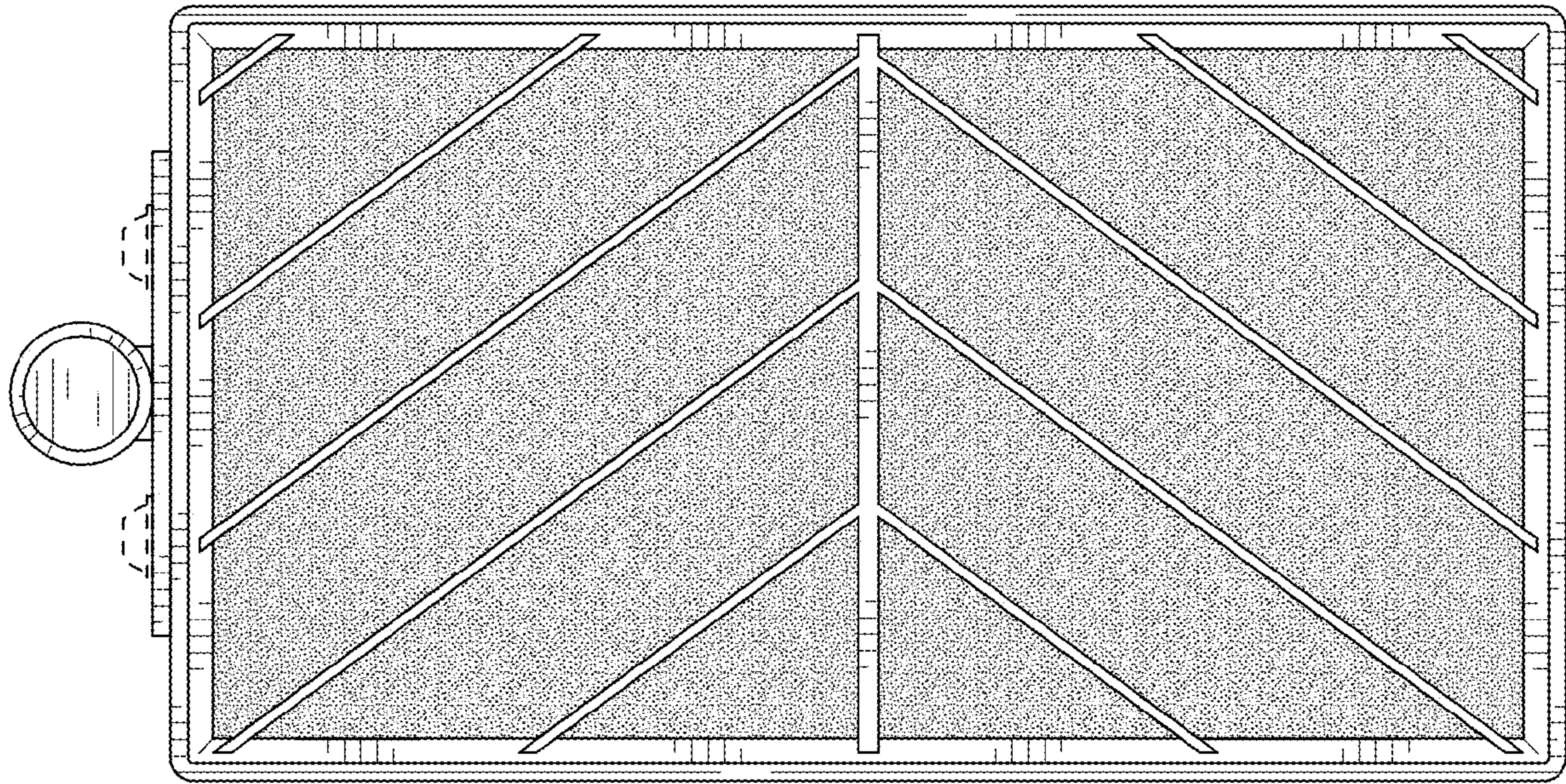


FIG. 3

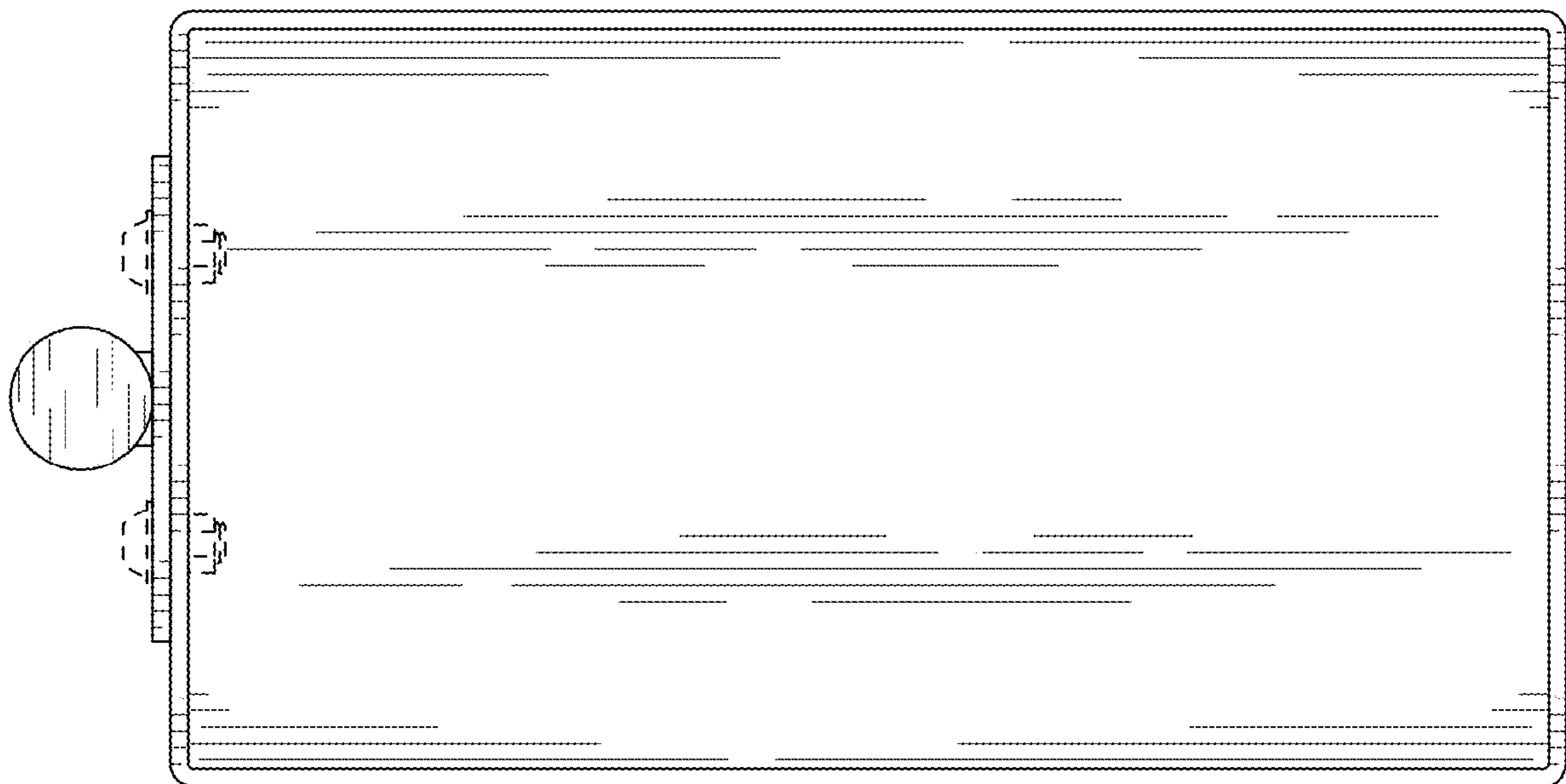


FIG. 4

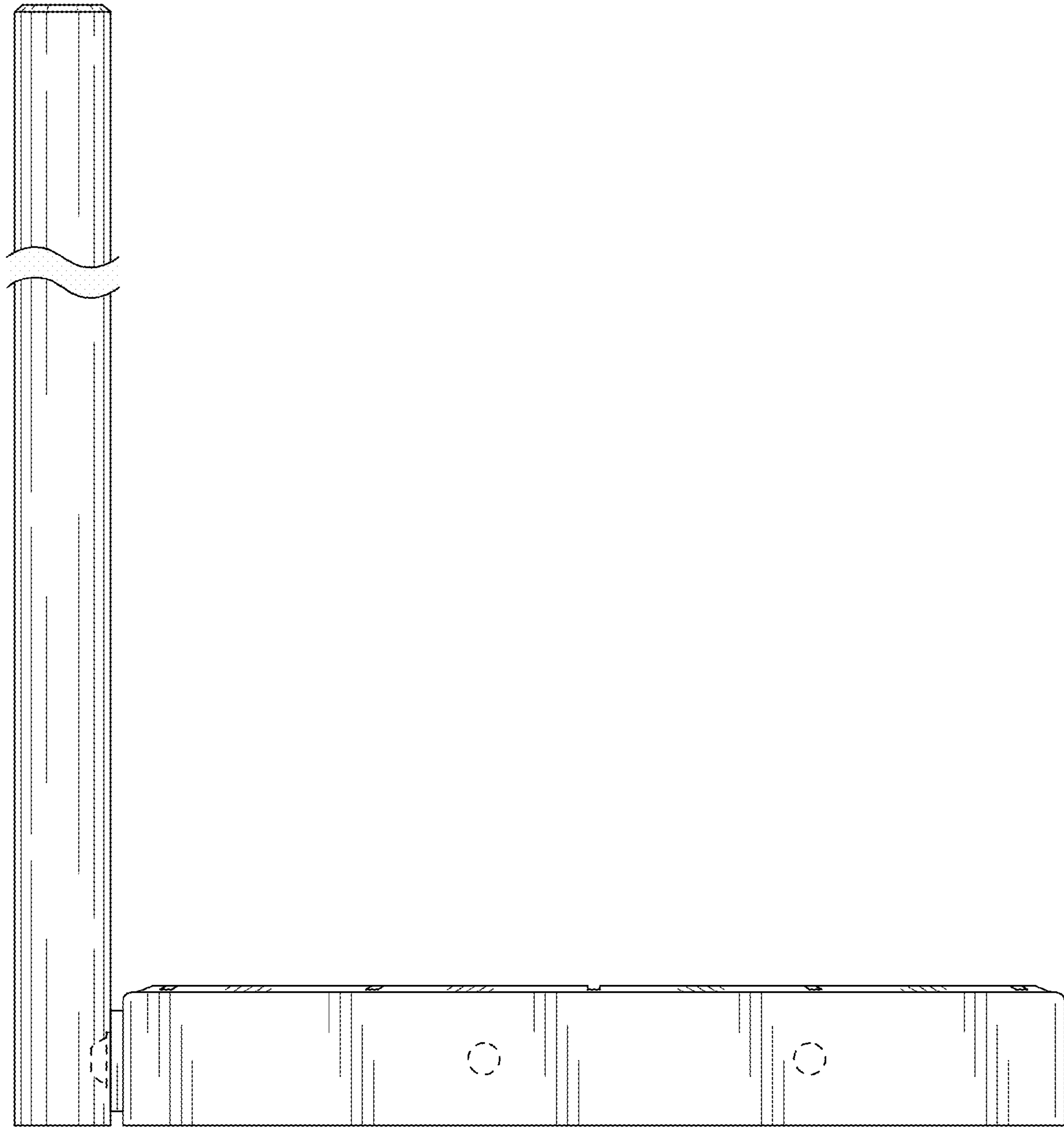


FIG. 5

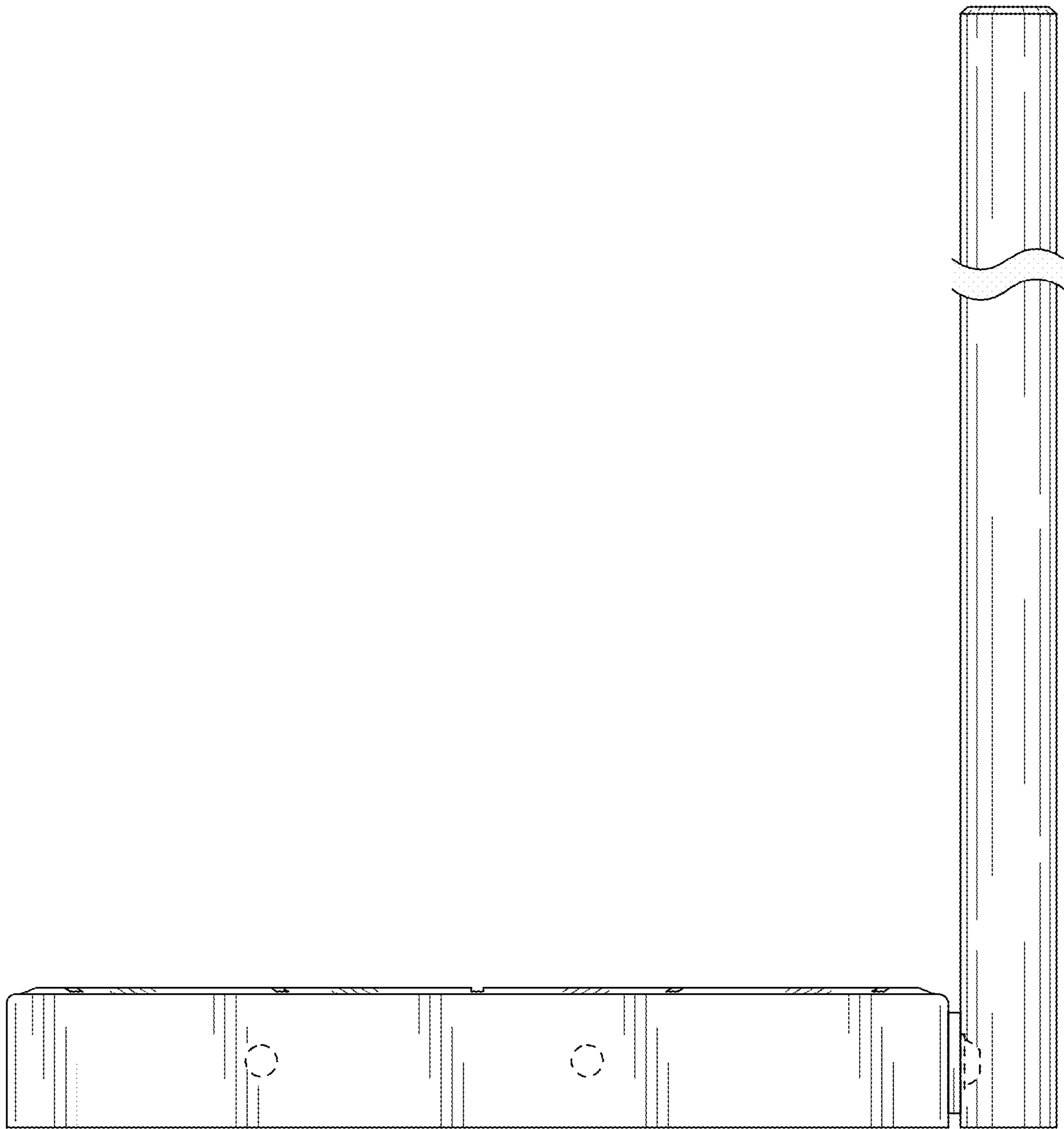


FIG. 6

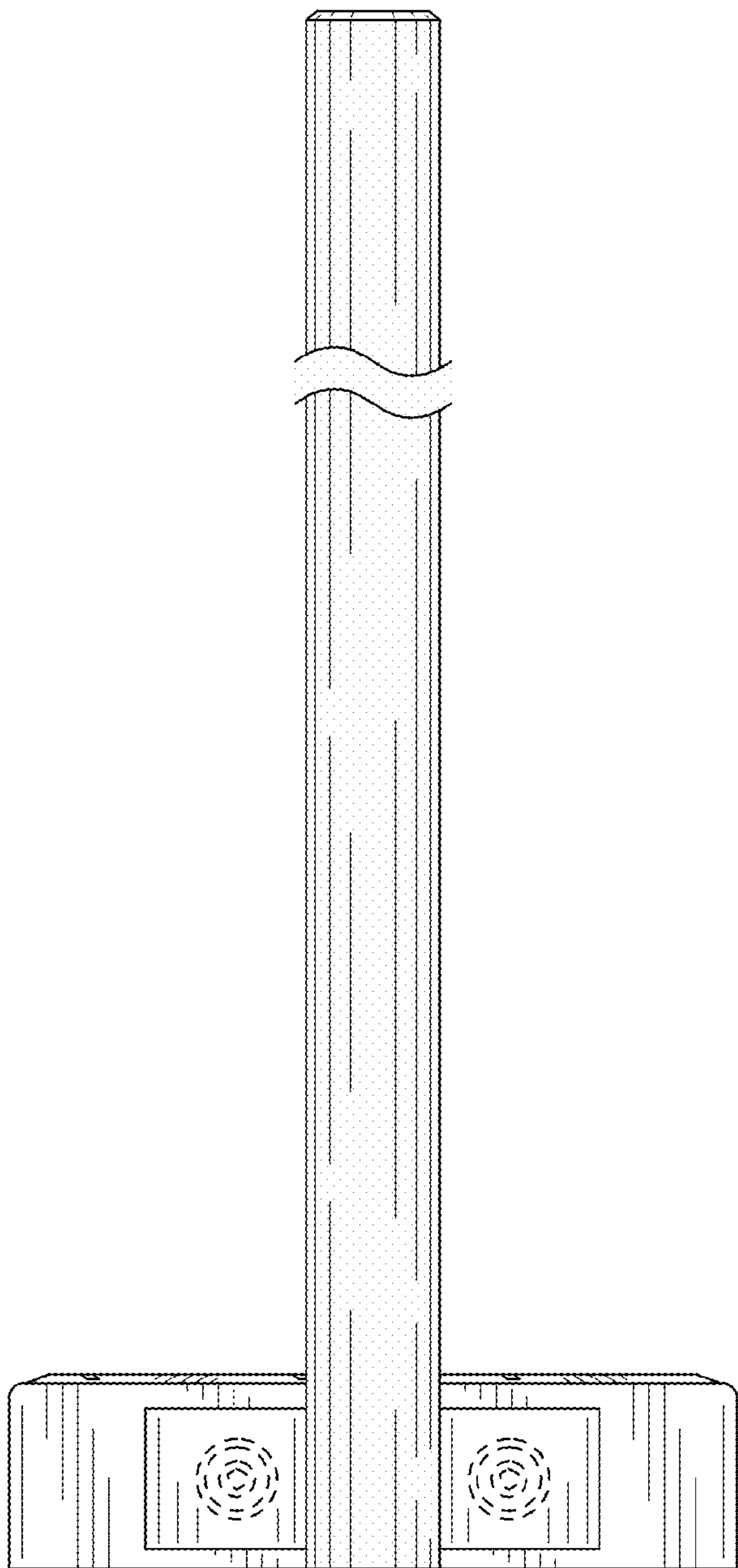


FIG. 7

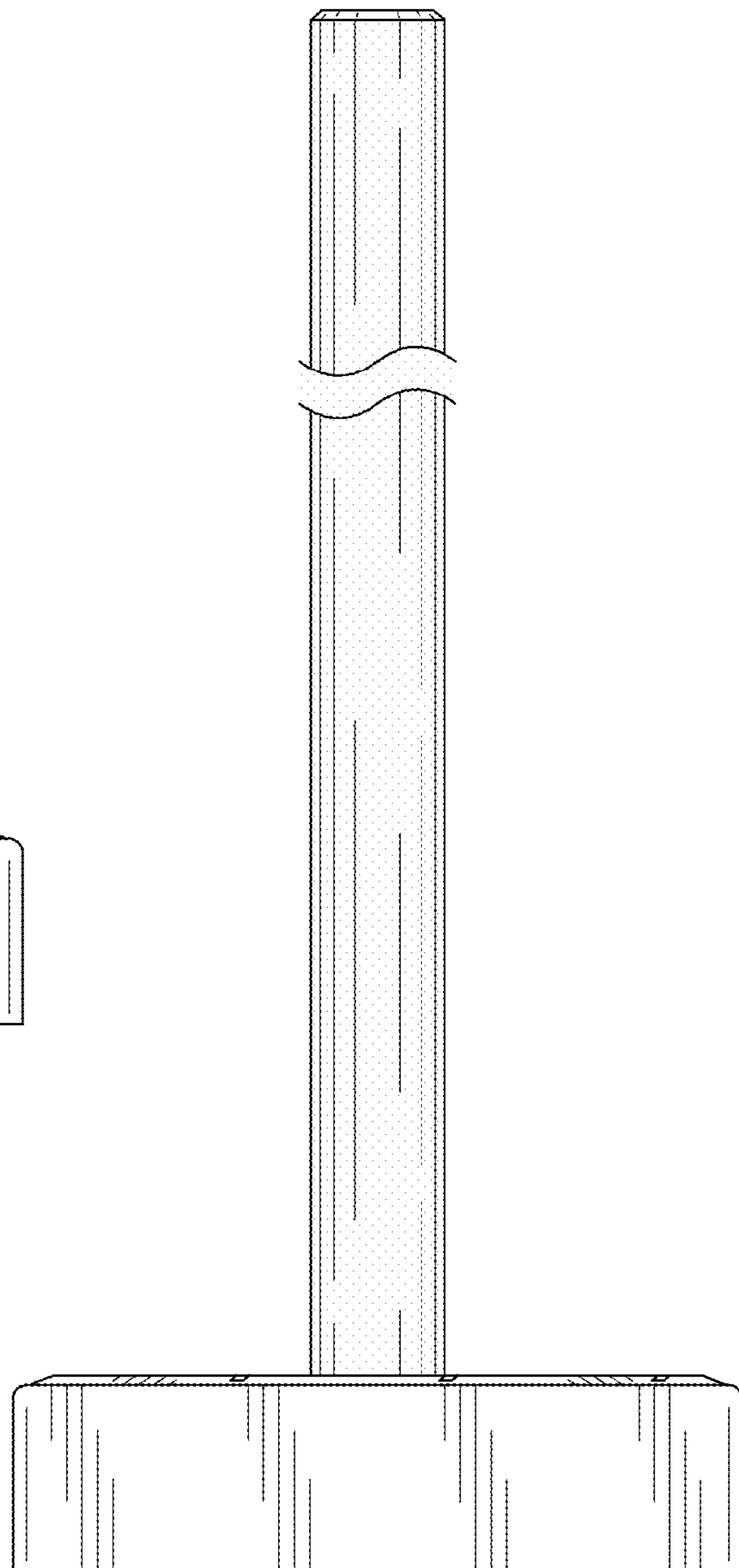


FIG. 8