



US00D941739S

(12) **United States Design Patent**
Aliotti

(10) **Patent No.:** **US D941,739 S**
(45) **Date of Patent:** **** Jan. 25, 2022**

(54) **STEP ASSISTANT WITH HANDLE**

(71) Applicant: **Angelo Aliotti**, Aguanga, CA (US)

(72) Inventor: **Angelo Aliotti**, Aguanga, CA (US)

(**) Term: **15 Years**

(21) Appl. No.: **29/728,751**

(22) Filed: **Mar. 26, 2020**

(51) **LOC (13) Cl.** **12-06**

(52) **U.S. Cl.**

USPC **D12/317**; D12/203

(58) **Field of Classification Search**

USPC D12/106, 203, 317

CPC B63B 17/00; B63B 17/04; B63B 7/085;

B63B 32/77; B63B 27/14; B63B 27/146;

B63B 27/148; B60N 3/02; B60P 3/1066;

B60R 3/00

See application file for complete search history.

(56) **References Cited**

U.S. PATENT DOCUMENTS

455,639	A *	7/1891	Roden	E06C 1/381
					182/189
3,828,707	A *	8/1974	Young	B63B 27/14
					114/362
D371,336	S *	7/1996	Wilson	D12/203
D456,747	S *	5/2002	Louie	D12/106
6,986,523	B1 *	1/2006	Bickford	B60P 3/1066
					280/166
7,182,035	B1 *	2/2007	Palmer	E02B 3/20
					114/263
8,322,739	B1 *	12/2012	Fair	B60P 3/1066
					280/164.1
8,371,597	B2 *	2/2013	DeCrescenzo	B60R 3/00
					280/164.1
8,424,643	B1 *	4/2013	Speaks	B63B 17/00
					182/180.3

(Continued)

Primary Examiner — Cynthia M. Chin

(74) *Attorney, Agent, or Firm* — Anderson Law; Owen J. Bates

(57) **CLAIM**

The ornamental design for a step assistant with handle, as shown and described.

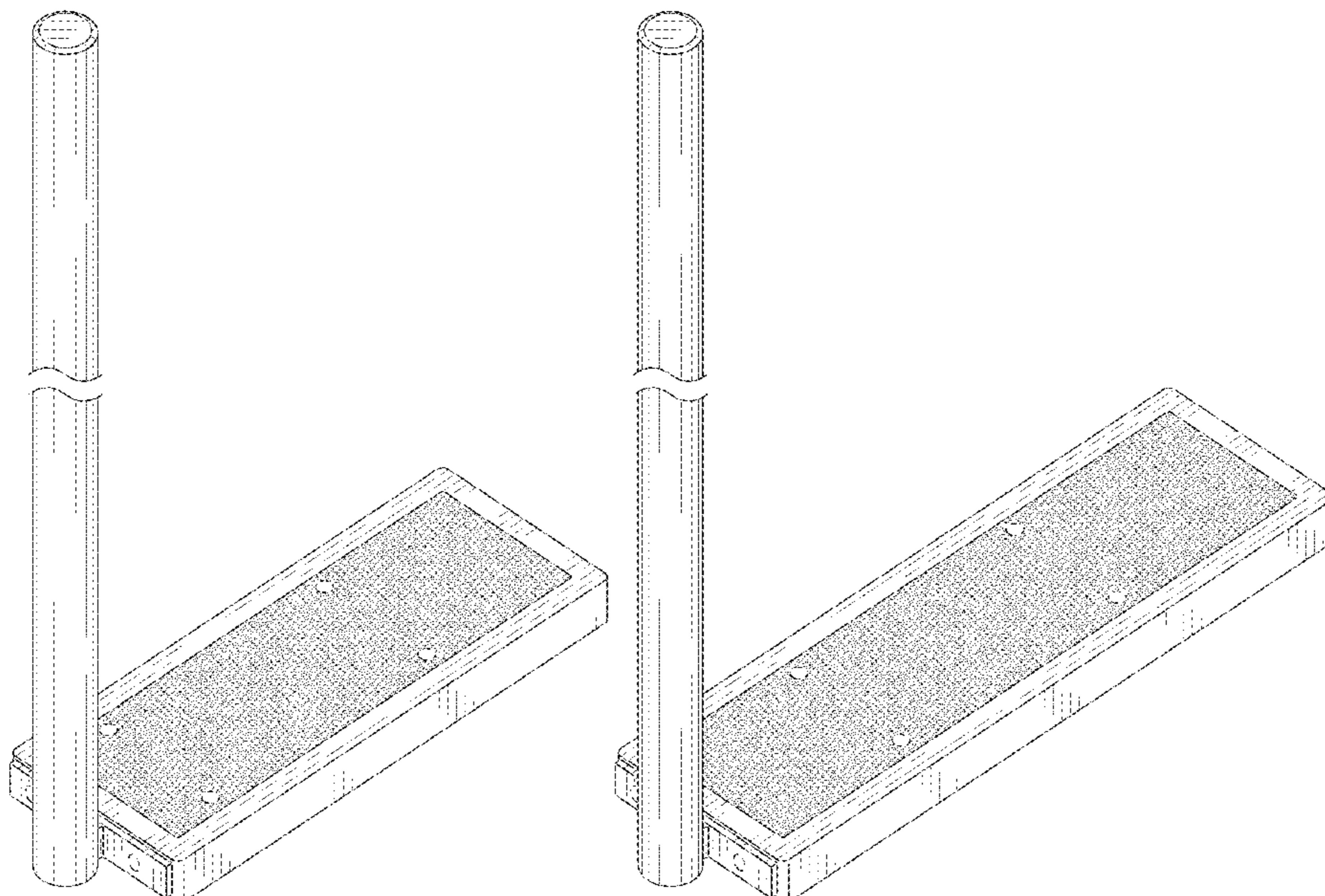
DESCRIPTION

FIG. 1 is an upper perspective view of the first embodiment; FIG. 2 is a lower perspective view of the first embodiment; FIG. 3 is a top plan view of the first embodiment; FIG. 4 bottom plan view of the first embodiment; FIG. 5 is a right side elevation view of the first embodiment; the left side elevation view being a mirror image thereof; FIG. 6 is front side elevation view of the first embodiment; the front side elevation view of the second embodiment being a duplicate thereof; FIG. 7 is a back side elevation view of the first embodiment; the front side elevation view of the second embodiment being a duplicate thereof; FIG. 8 is an upper perspective view of the second embodiment; FIG. 9 is a lower perspective view of the second embodiment; FIG. 10 is top plan view of the second embodiment; FIG. 11 is bottom plan view of the second embodiment; and, FIG. 12 is a right side elevation view of the second embodiment; the left side elevation view being a mirror image thereof.

The broken lines in the drawings represent portions of the step assistant with handle that form no part of the claimed design.

The broken away symbols in the drawings indicate the appearance of any portion of the article between the break lines forms no part of the claimed design.

1 Claim, 9 Drawing Sheets



(56)

References Cited

U.S. PATENT DOCUMENTS

9,114,856 B2 * 8/2015 Hannan B63B 27/14
9,505,467 B2 * 11/2016 Canaris B63B 27/146
10,875,609 B1 * 12/2020 Hawkes B63B 27/14
2010/0320713 A1 * 12/2010 Mann B60R 3/02
280/163
2012/0104721 A1 * 5/2012 Genest B60R 3/02
280/166
2014/0131976 A1 * 5/2014 Olds B60P 3/1066
280/414.1
2014/0182971 A1 * 7/2014 Hannan B63B 27/14
182/230
2018/0057118 A1 * 3/2018 Franklin B63B 17/00

* cited by examiner

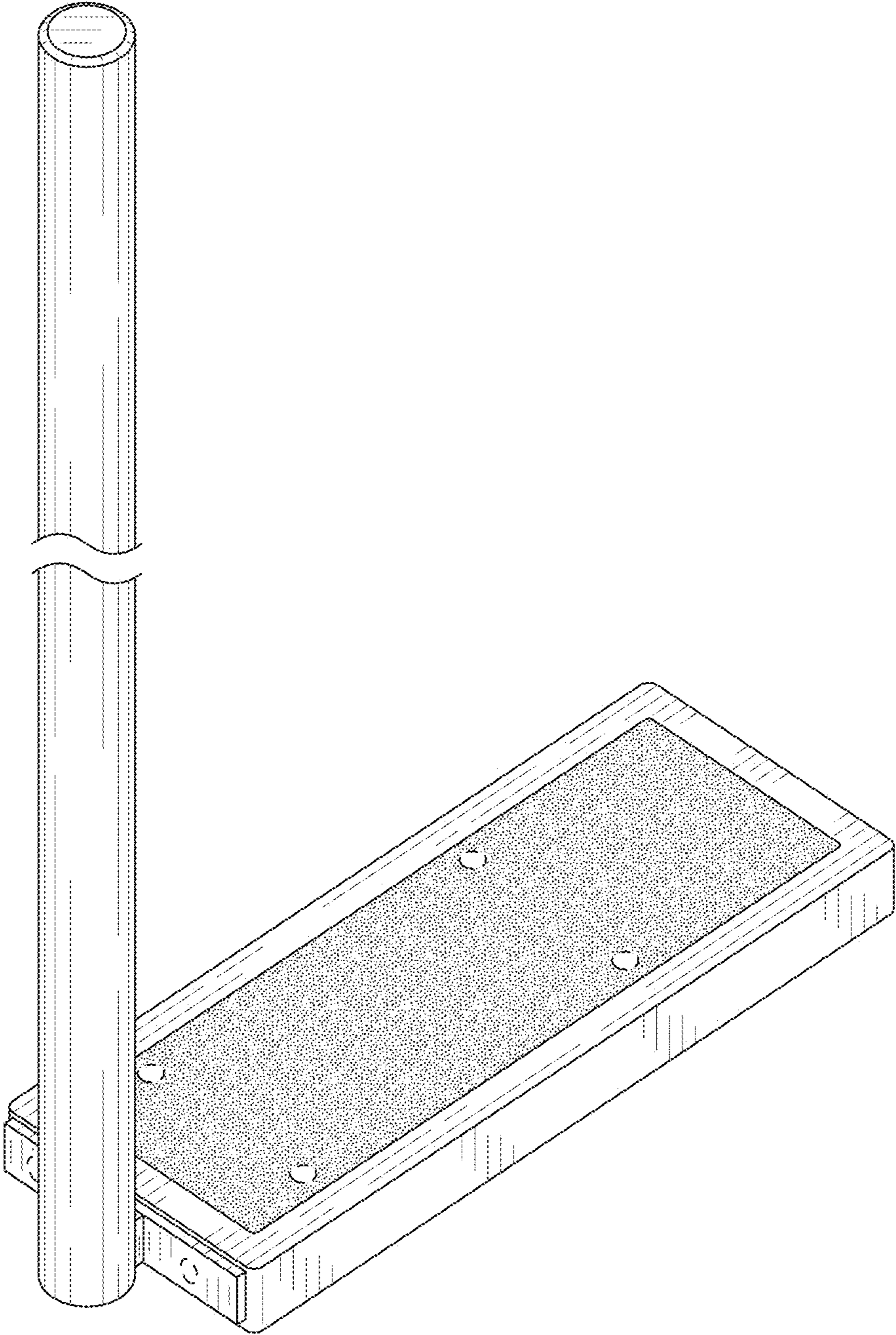


FIG. 1

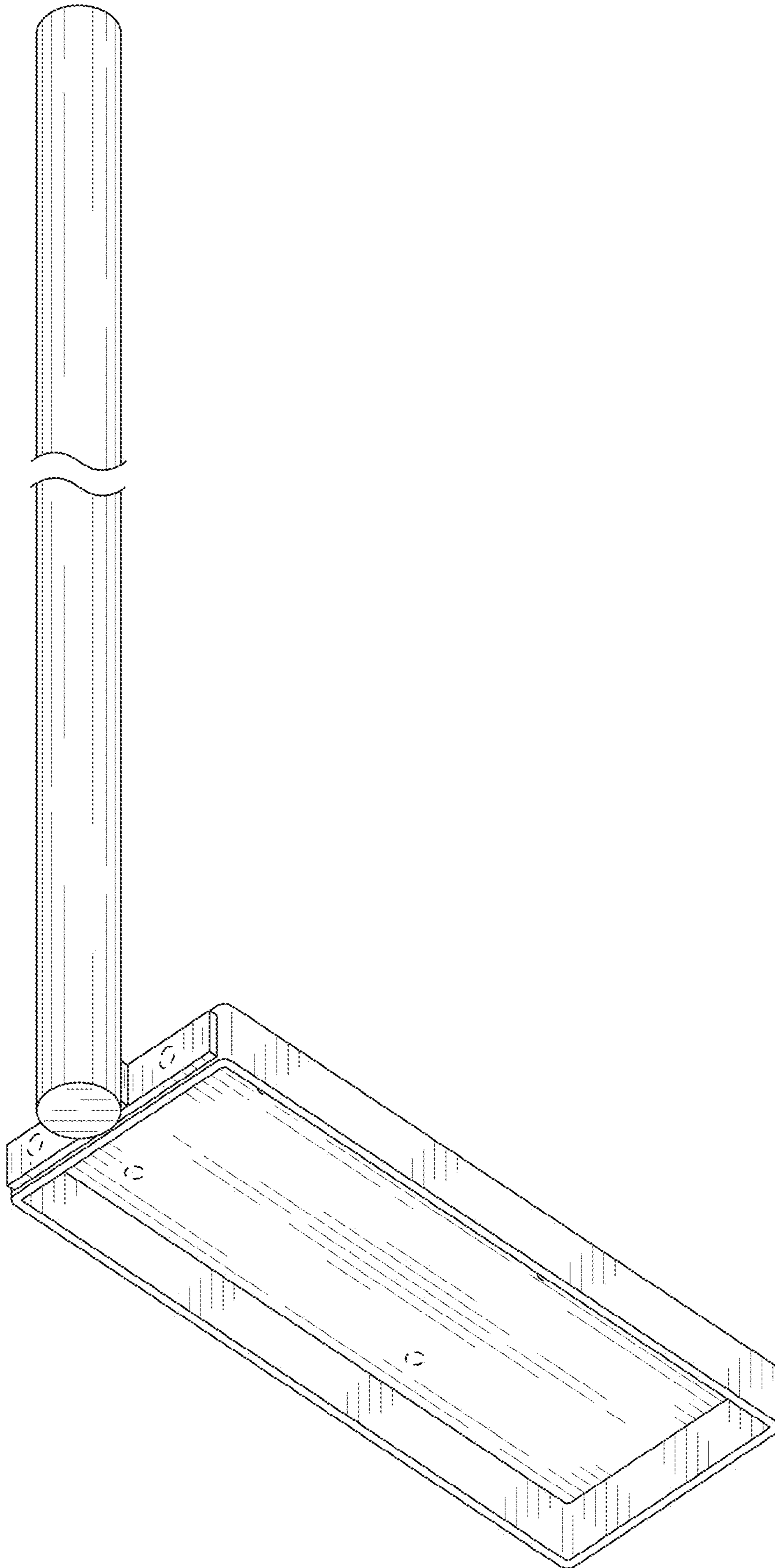


FIG. 2

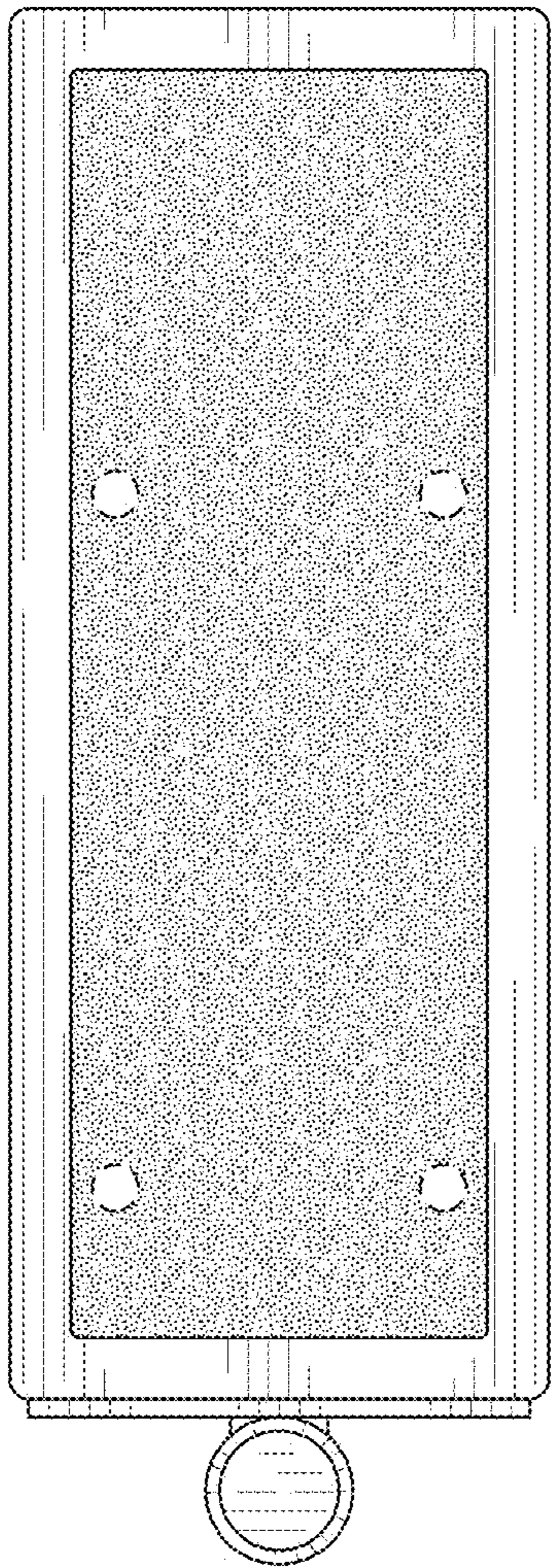


FIG. 3

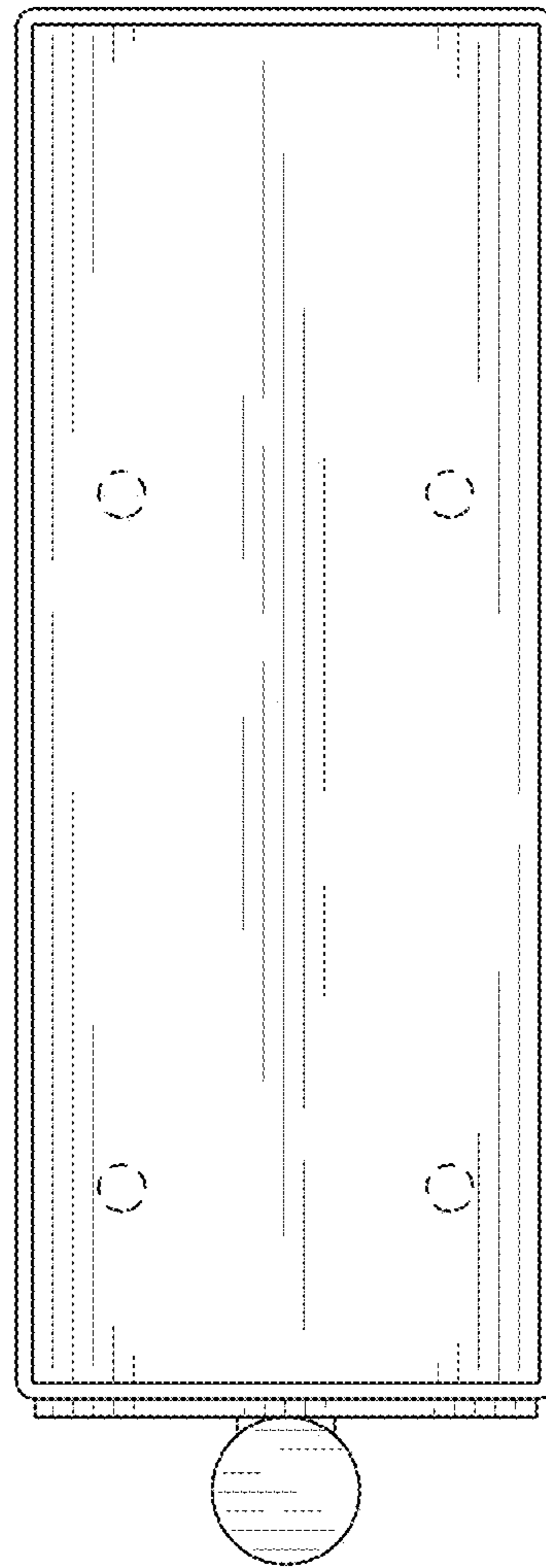


FIG. 4

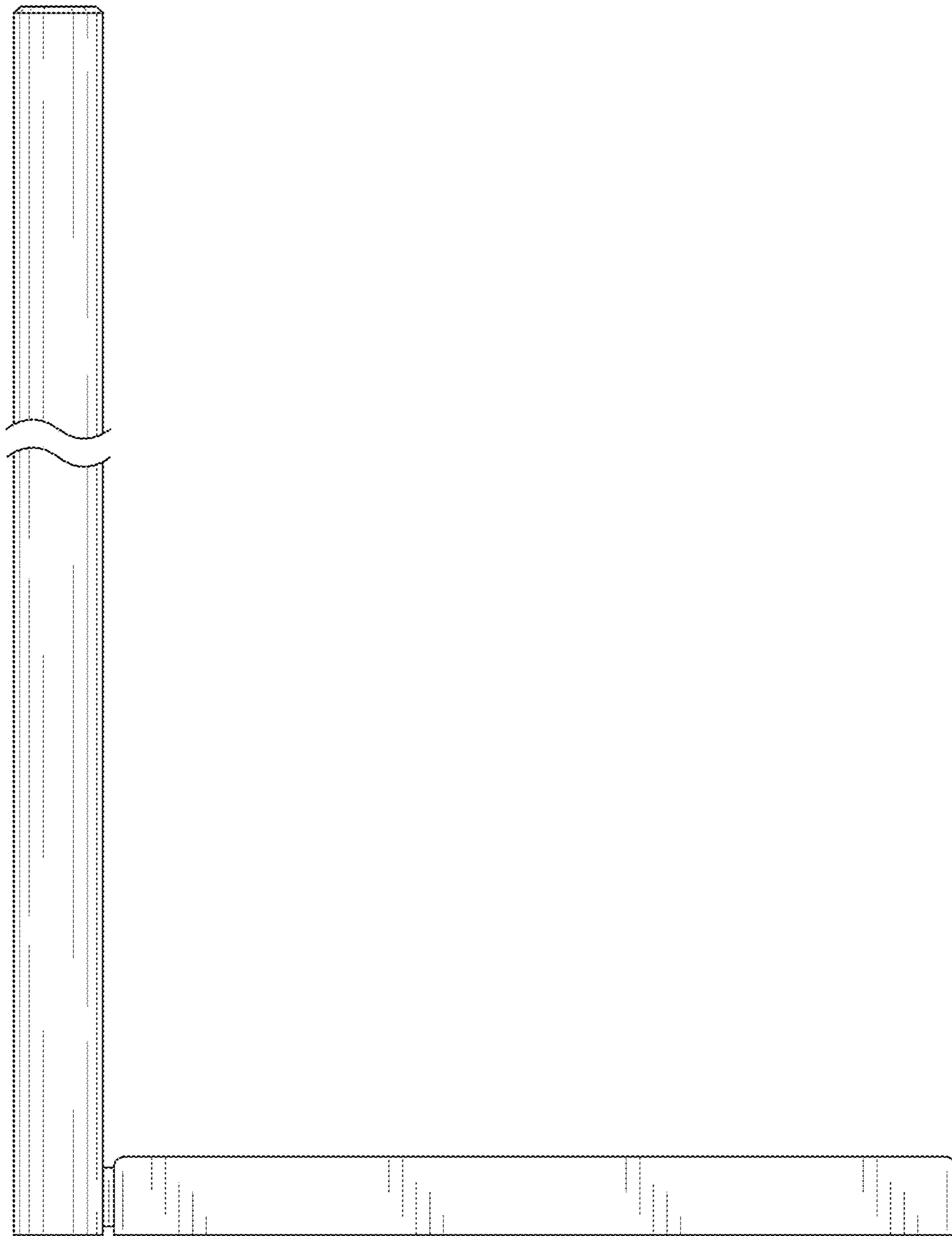


FIG. 5

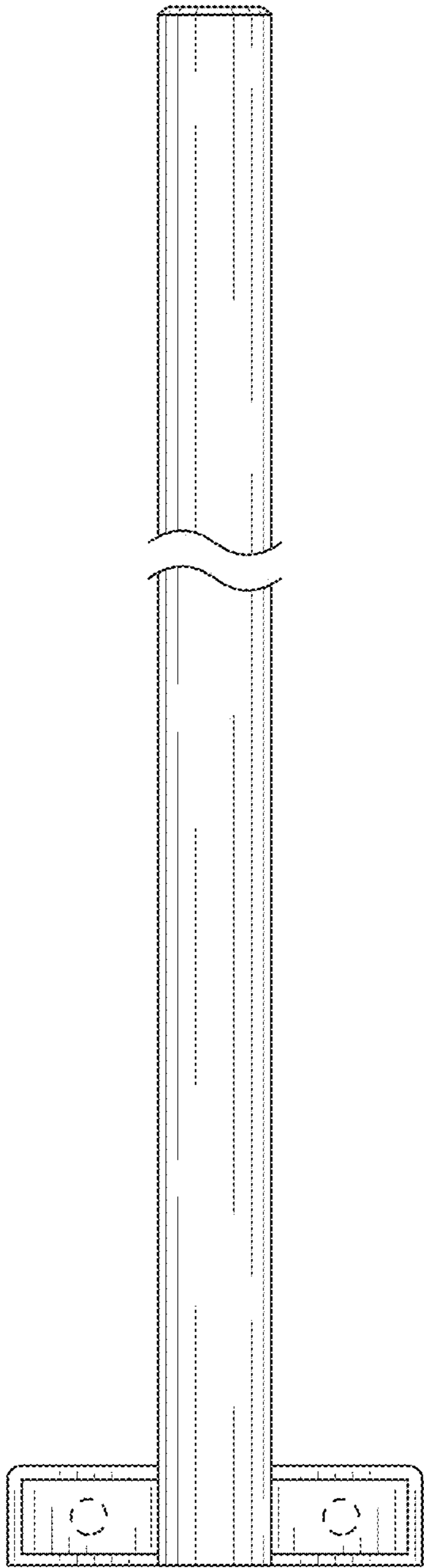


FIG. 6

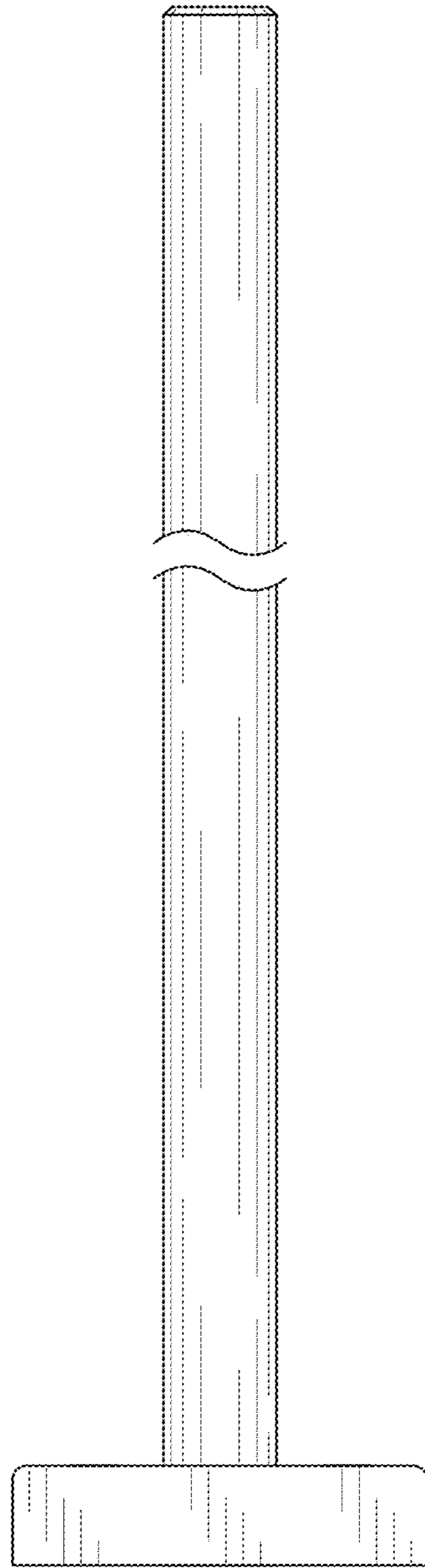


FIG. 7

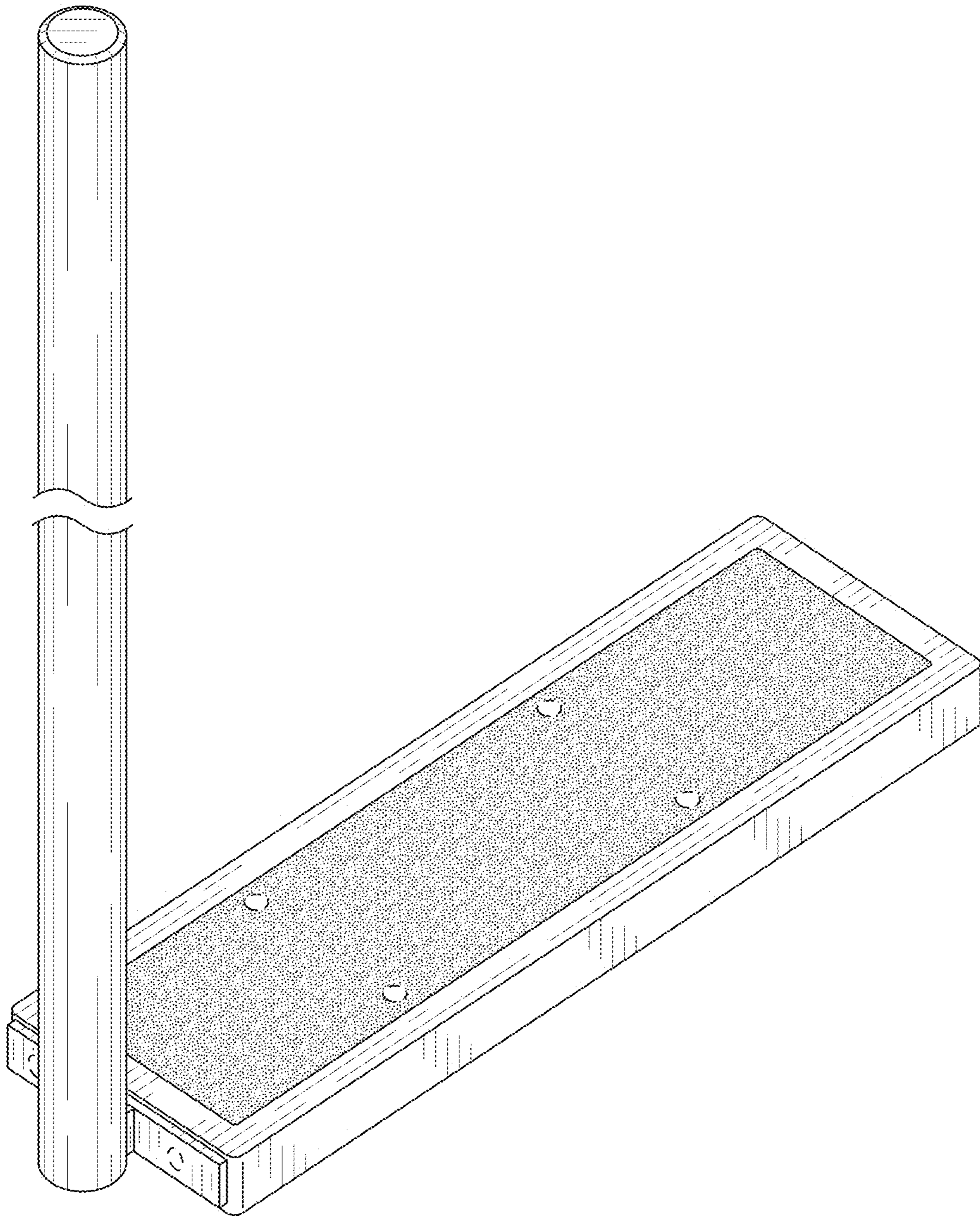


FIG. 8

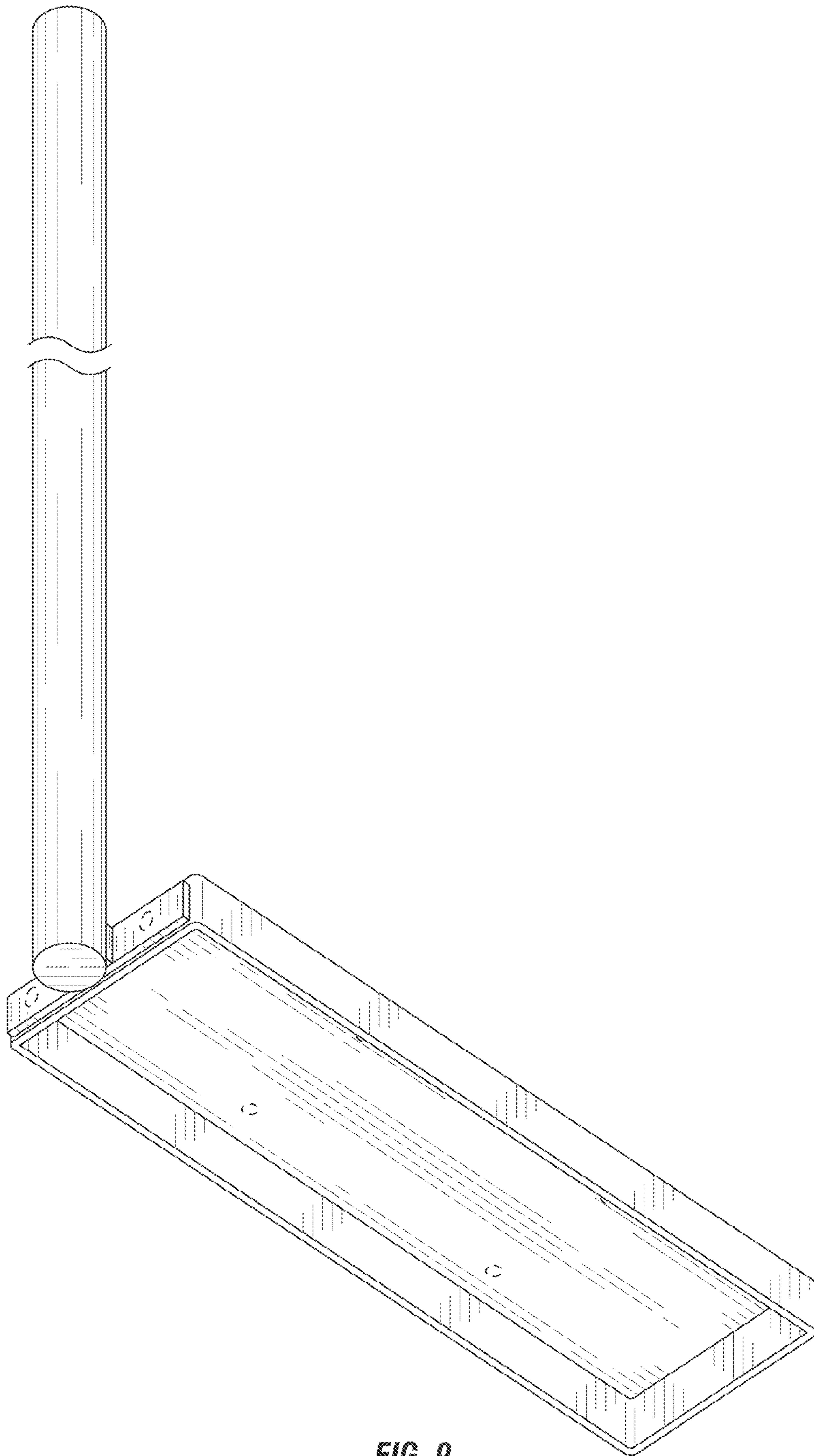


FIG. 9

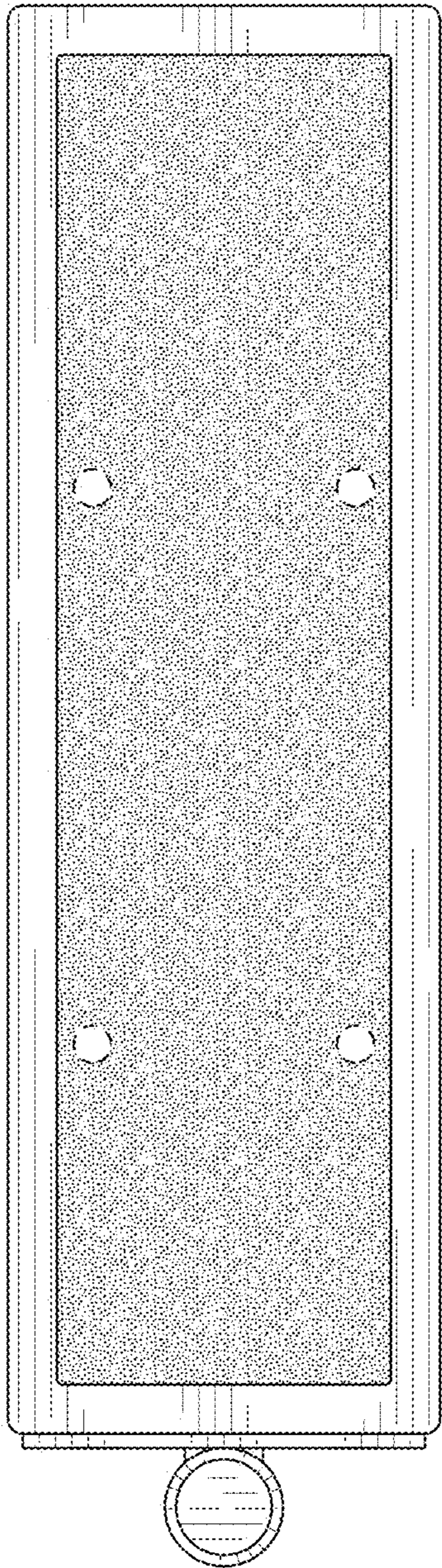


FIG. 10

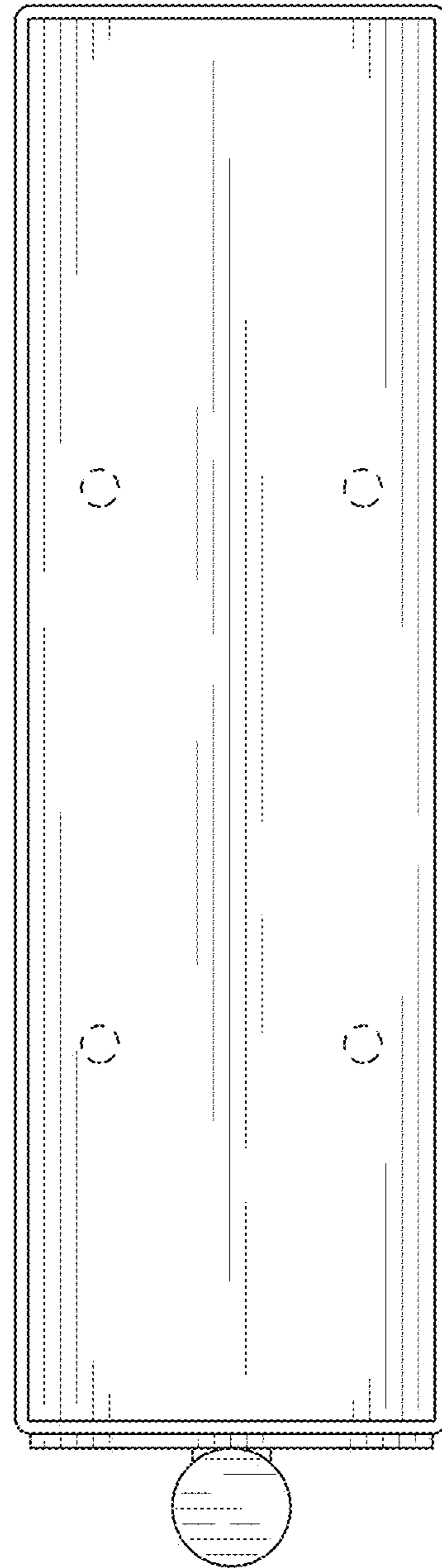


FIG. 11

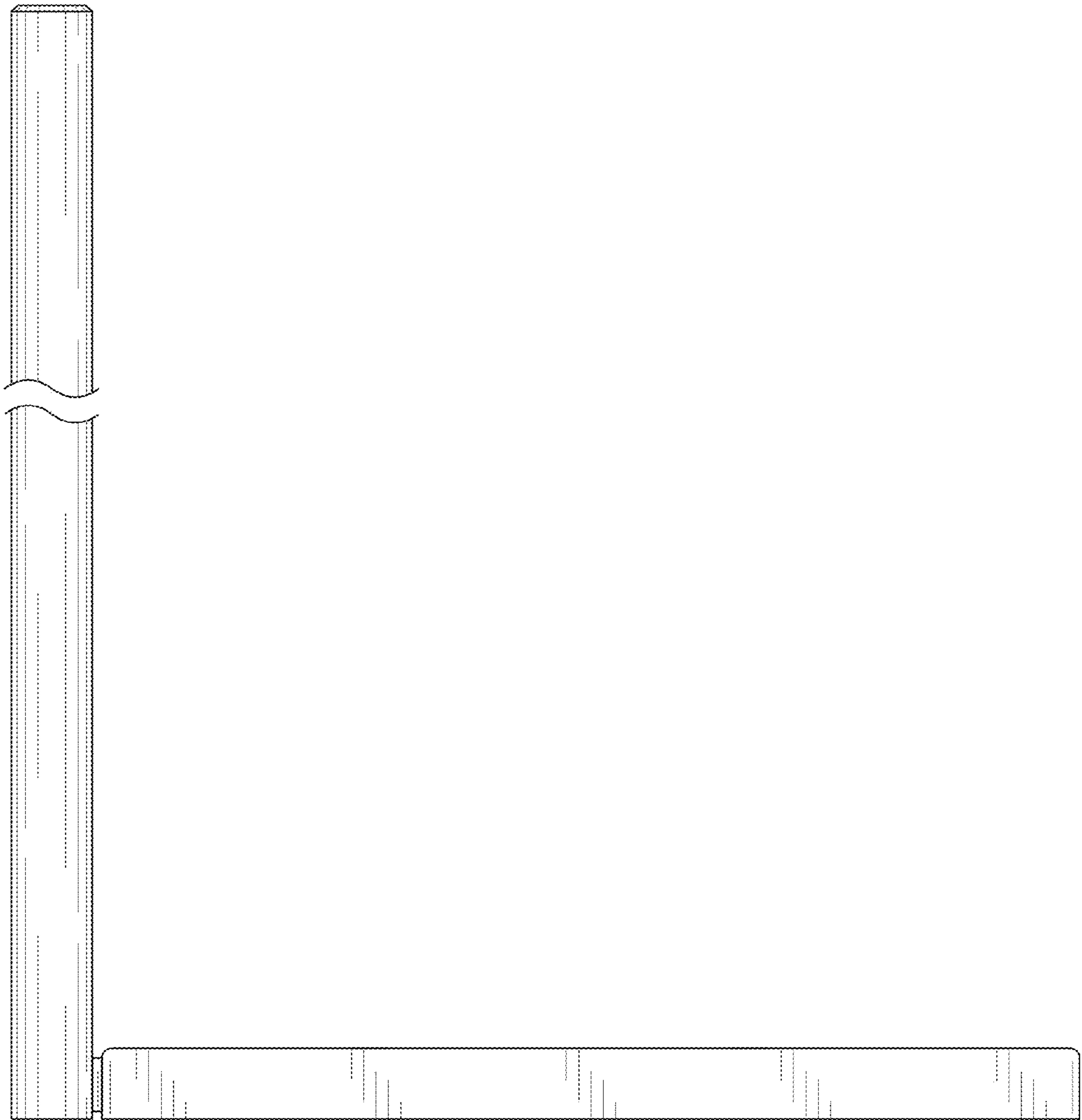


FIG. 12