



US00D941737S

(12) **United States Design Patent**  
**Depondt et al.**

(10) **Patent No.:** **US D941,737 S**  
(45) **Date of Patent:** **\*\* \*Jan. 25, 2022**

- (54) **WIPER BLADE**
- (71) Applicant: **Robert Bosch GmbH**, Stuttgart (DE)
- (72) Inventors: **Helmut Depondt**, Boutersem (BE);  
**Hao Yu**, Guangdong (CN)
- (73) Assignee: **Robert Bosch GmbH**, Stuttgart (DE)
- (\*) Notice: This patent is subject to a terminal disclaimer.
- (\*\*) Term: **15 Years**
- (21) Appl. No.: **29/727,675**
- (22) Filed: **Mar. 12, 2020**

- (30) **Foreign Application Priority Data**
- Sep. 19, 2019 (EM) ..... 006880100
- (51) **LOC (13) Cl.** ..... **12-16**
- (52) **U.S. Cl.**  
USPC ..... **D12/219**
- (58) **Field of Classification Search**  
USPC ..... D12/219, 220, 400  
CPC ..... B60S 1/3858; B60S 1/3881; B60S 1/381;  
B60S 1/3806; B60S 1/3856; B60S 1/4003  
See application file for complete search history.

- (56) **References Cited**
- U.S. PATENT DOCUMENTS
- D579,401 S \* 10/2008 Garrastacho ..... D12/219
- D621,324 S \* 8/2010 Kim ..... D12/219
- D679,235 S \* 4/2013 Depondt ..... D12/219
- D680,051 S \* 4/2013 Tolentino ..... D12/219
- D692,819 S \* 11/2013 Tolentino ..... D12/220
- D704,126 S \* 5/2014 Avasiloaie ..... D12/219
- D704,127 S \* 5/2014 Depondt ..... D12/219
- D706,200 S \* 6/2014 Tolentino ..... D12/220
- D717,225 S \* 11/2014 Kuo ..... D12/220

- D732,455 S \* 6/2015 Fujiwara ..... D12/219
- 9,744,946 B2 \* 8/2017 Young, III ..... B60S 1/4003
- 10,005,431 B2 \* 6/2018 Tolentino ..... B60S 1/3856
- 10,363,905 B2 \* 7/2019 Tolentino ..... B60S 1/3858
- 10,464,533 B2 \* 11/2019 Tolentino ..... B60S 1/3806
- D871,305 S \* 12/2019 Zeng ..... D12/219
- D896,156 S \* 9/2020 Tufts, Jr. .... D12/220

(Continued)

*Primary Examiner* — Susan E Krakower  
*Assistant Examiner* — Jerry Shiuan-Hua Hsu  
(74) *Attorney, Agent, or Firm* — Maginot, Moore & Beck LLP

(57) **CLAIM**

The ornamental design for a wiper blade, as shown and described.

**DESCRIPTION**

Cross reference is made to copending U.S. design patent application Ser. No. 29/727,672 entitled “wiper blade” by Depondt et al., which was filed on even date herewith; and to copending U.S. design patent application Ser. No. 29/727,674 entitled “wiper blade” by Depondt et al., which was filed on even date herewith.

FIG. 1 is a perspective view of a wiper blade showing our new design;

FIG. 2 is a right side elevational view of the wiper blade of FIG. 1;

FIG. 3 is a left side elevational view of the wiper blade of FIG. 1;

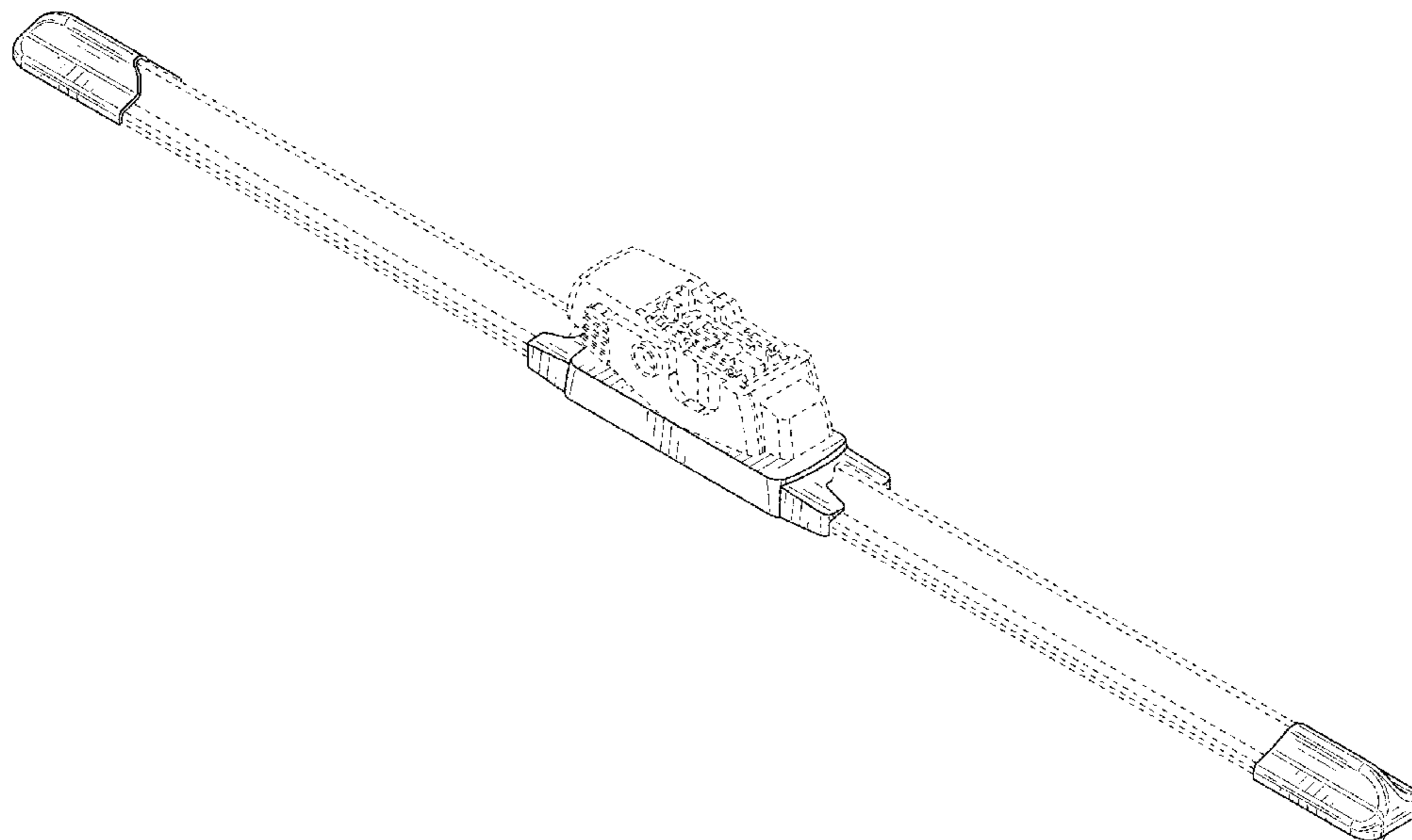
FIG. 4 is a front side elevational view of the wiper blade of FIG. 1;

FIG. 5 is a rear side elevational view of the wiper blade of FIG. 1;

FIG. 6 is a top plan view of the wiper blade of FIG. 1; and, FIG. 7 is a bottom plan view of the wiper blade of FIG. 1.

The broken lines shown in the drawings illustrate portions of the wiper blade that form no part of the claimed design.

**1 Claim, 4 Drawing Sheets**



(56)

**References Cited**

U.S. PATENT DOCUMENTS

2009/0313782 A1\* 12/2009 Chien ..... B60S 1/381  
15/250.31  
2011/0247165 A1\* 10/2011 Roodt ..... B60S 1/3881  
15/250.001  
2018/0126958 A1\* 5/2018 Gallegos de la Pena .....  
B60S 1/3858

\* cited by examiner

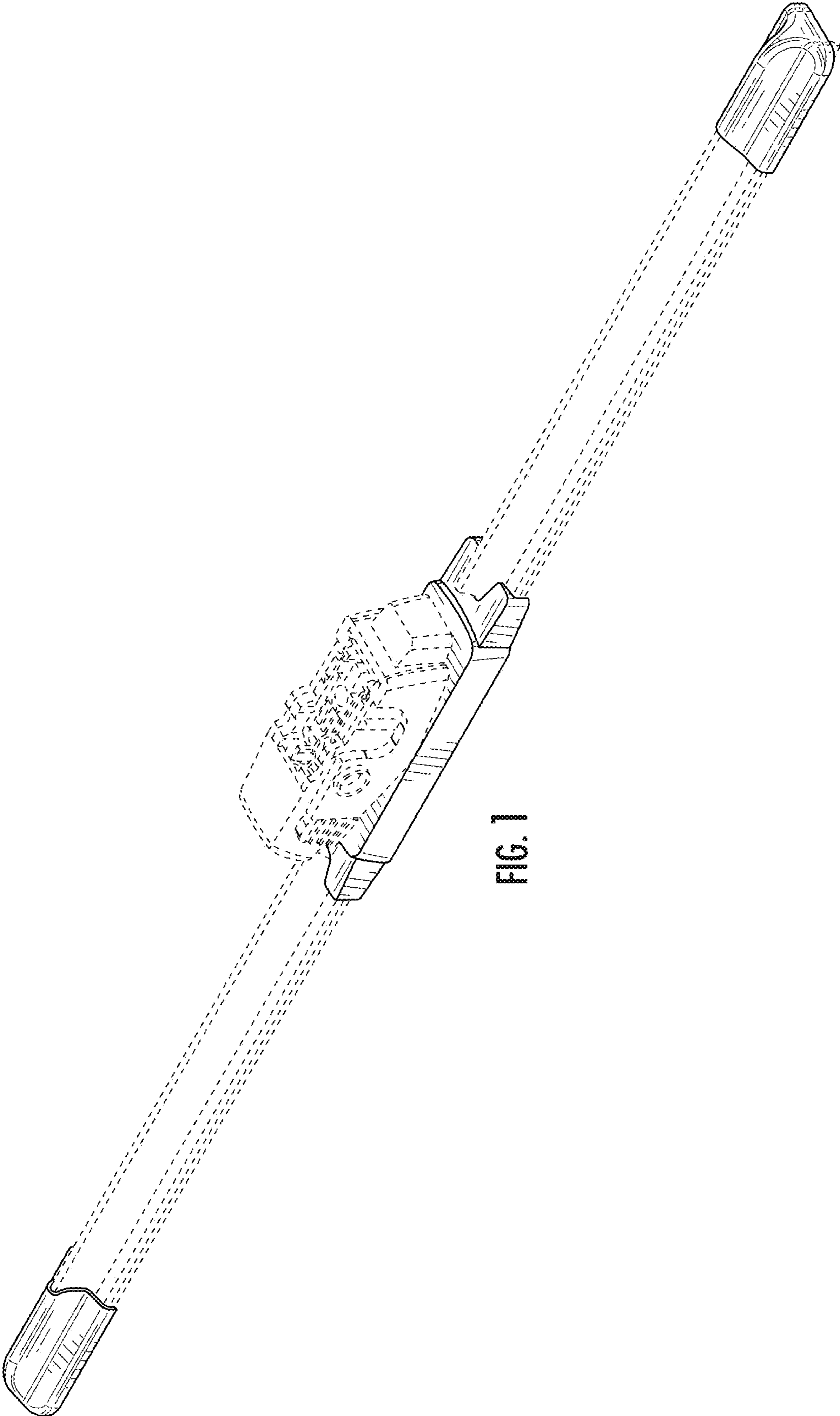


FIG. 1



FIG. 2

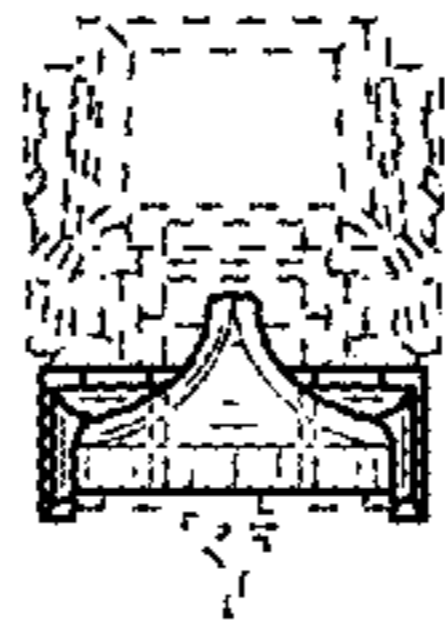


FIG. 3

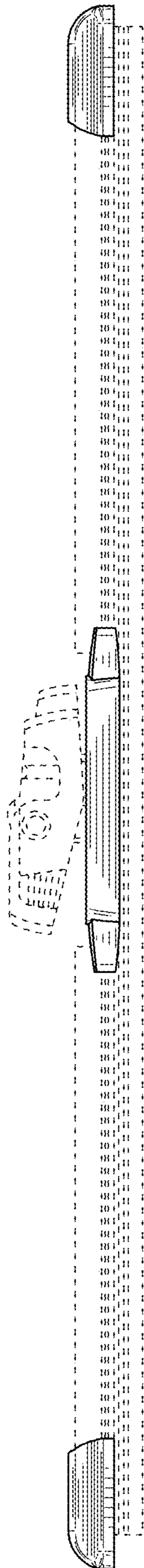


FIG. 4

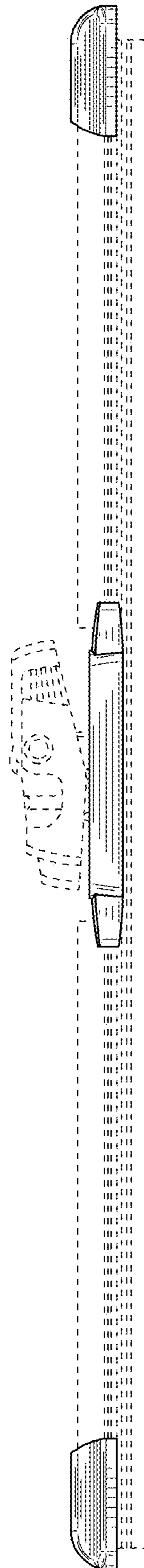


FIG. 5



FIG. 6

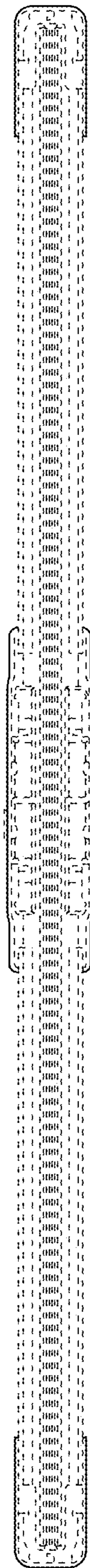


FIG. 7