



US00D941735S

(12) **United States Design Patent**
Milani

(10) **Patent No.:** **US D941,735 S**
(45) **Date of Patent:** **** Jan. 25, 2022**

(54) **AUTOMOBILE WHEEL CENTER CAP**

(71) Applicant: **Elite Wheel Warehouse**, Tampa, FL
(US)

(72) Inventor: **Hamed Milani**, Tampa, FL (US)

(**) Term: **15 Years**

(21) Appl. No.: **29/714,199**

(22) Filed: **Nov. 21, 2019**

(51) **LOC (13) Cl.** **12-16**

(52) **U.S. Cl.**
USPC **D12/213**

(58) **Field of Classification Search**
USPC D12/204–213; D21/563
CPC B60B 7/00; B60B 7/02; B60B 7/04; B60B
7/01; B60B 7/06; B60B 3/02; B60B 3/04;
B60B 3/06; B60B 3/10; B60B 1/00;
B60B 1/08; B60B 1/10; B60B 1/12
See application file for complete search history.

(56) **References Cited**

U.S. PATENT DOCUMENTS

D453,914 S *	2/2002	Dumigan	D12/213
D537,768 S *	3/2007	McMath	D12/213
D662,869 S *	7/2012	Ballard	D12/213
D702,174 S *	4/2014	Gordon	D12/213
D735,108 S *	7/2015	Chou	D12/213
D741,246 S *	10/2015	Chung	D12/213
D748,036 S *	1/2016	Hilpert	D12/213

9,242,506 B2 *	1/2016	Bennett	B60B 7/04
D751,022 S *	3/2016	Chung	D12/213
D751,489 S *	3/2016	Chung	D12/213
D761,183 S *	7/2016	Bennett	B60B 7/04
				D12/213
D798,218 S *	9/2017	Platto	D12/213
D803,137 S *	11/2017	Platto	D12/213
D838,228 S *	1/2019	Chung	D12/213
D849,659 S *	5/2019	Lee	D12/213
D852,715 S *	7/2019	Ash	D12/213
D858,417 S *	9/2019	Woodhouse	D12/213
D860,105 S *	9/2019	Moore	D12/213
D885,296 S *	5/2020	Hale, Jr.	D12/213
D904,965 S *	12/2020	Horlick	D12/213
D911,246 S *	2/2021	Licklitter	D12/213
D922,929 S *	6/2021	Ranum	D12/213
2010/0194181 A1 *	8/2010	Noriega	B60B 1/06
				301/37.26

* cited by examiner

Primary Examiner — Stacia A Cadmus

(74) *Attorney, Agent, or Firm* — Justin Luby

(57) **CLAIM**

The ornamental design for an automobile wheel center cap, as shown and described.

DESCRIPTION

FIG. 1 is a perspective view of an automobile wheel center cap, showing my new design; and, FIG. 2 is a front view thereof; and, FIG. 3 is a side view thereof.

1 Claim, 3 Drawing Sheets

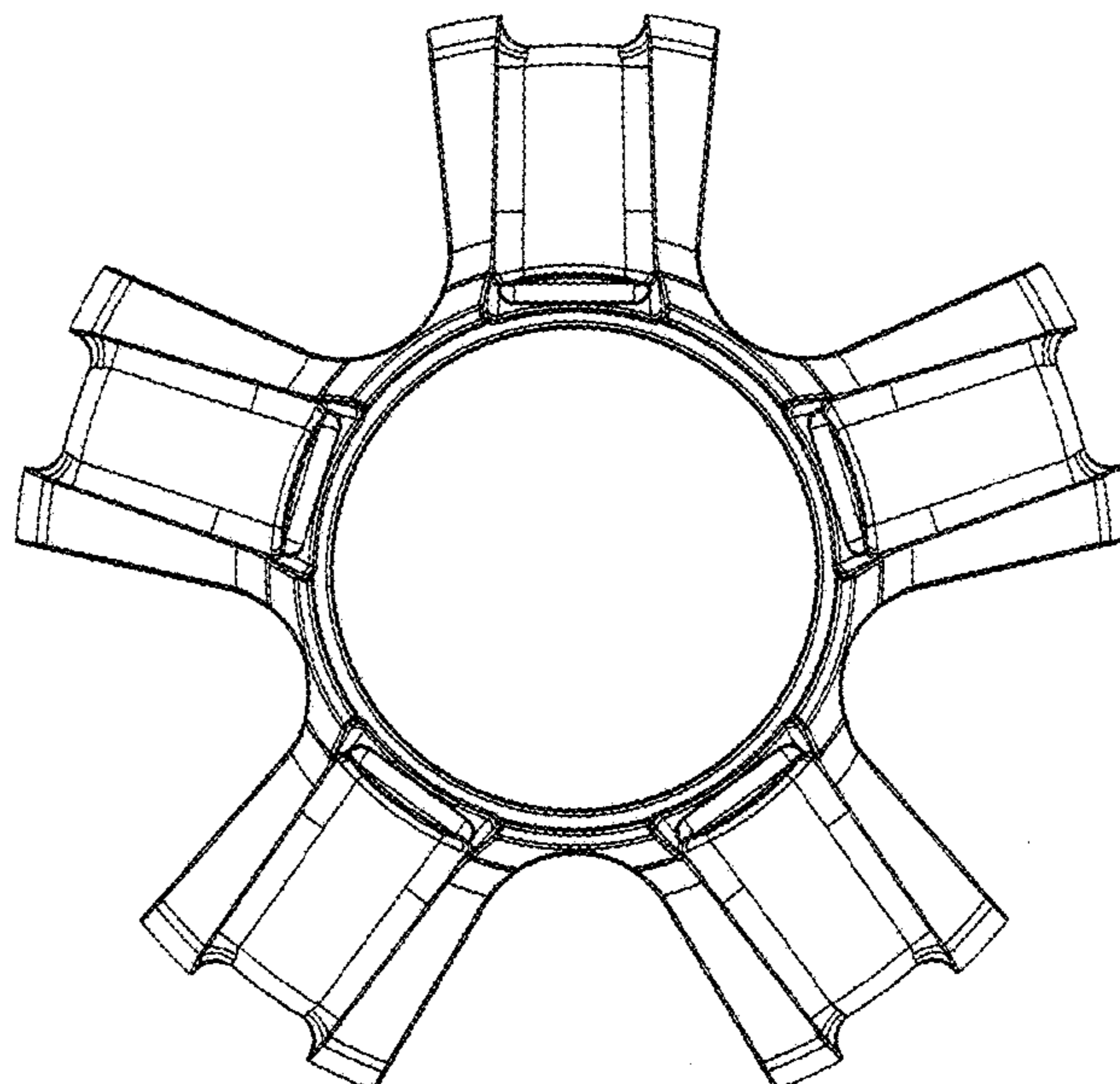
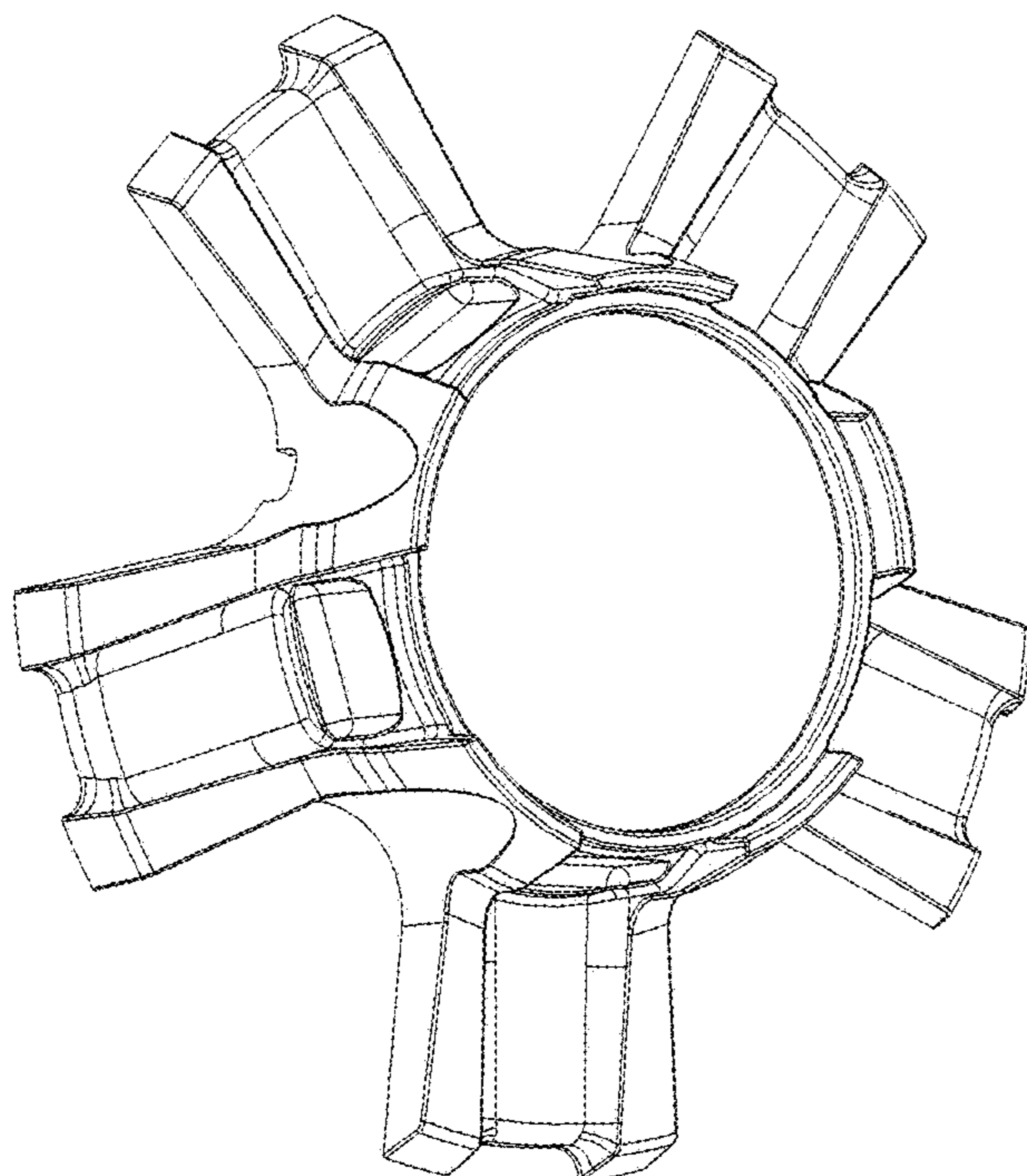


FIG. 1

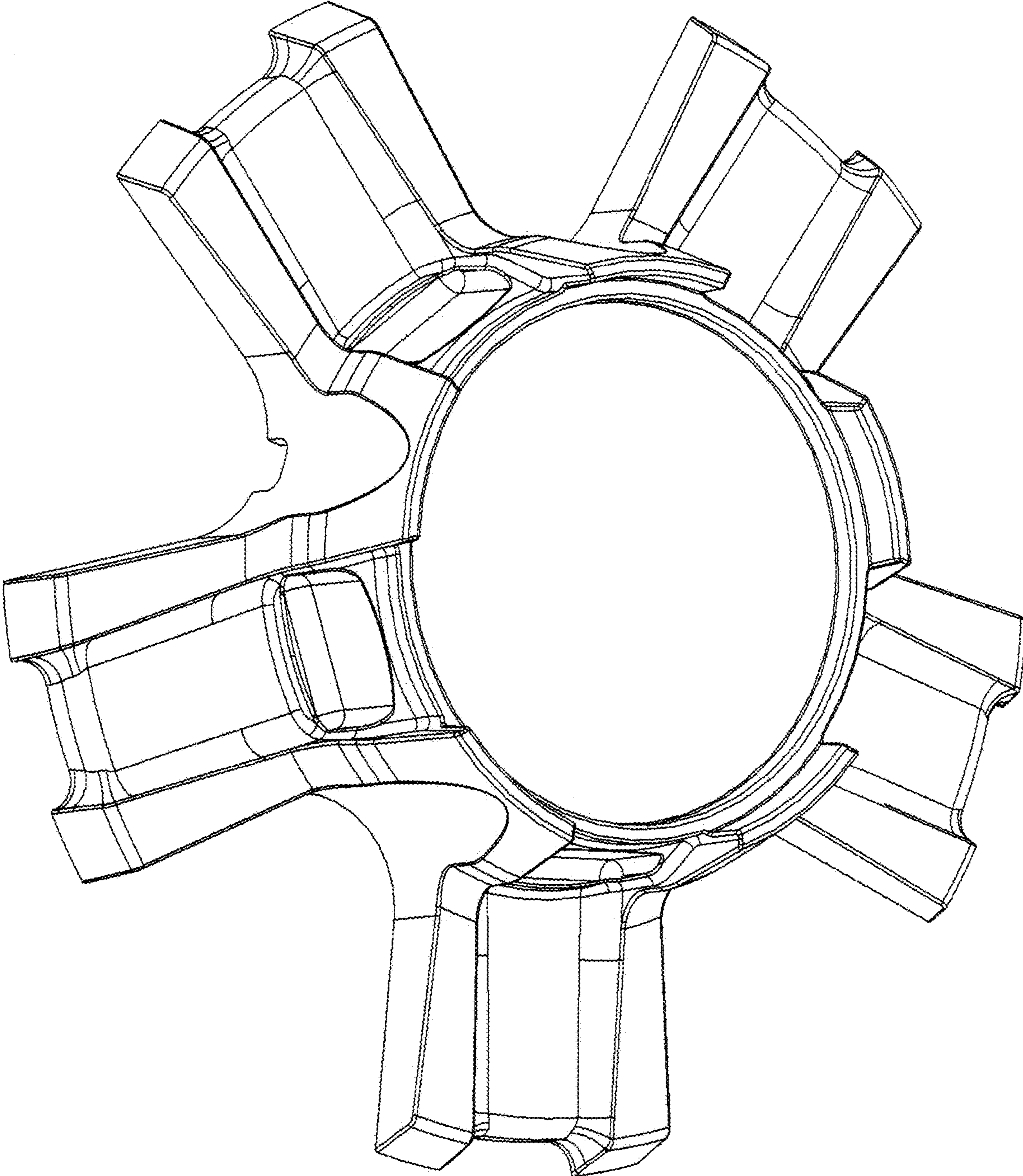


FIG. 2

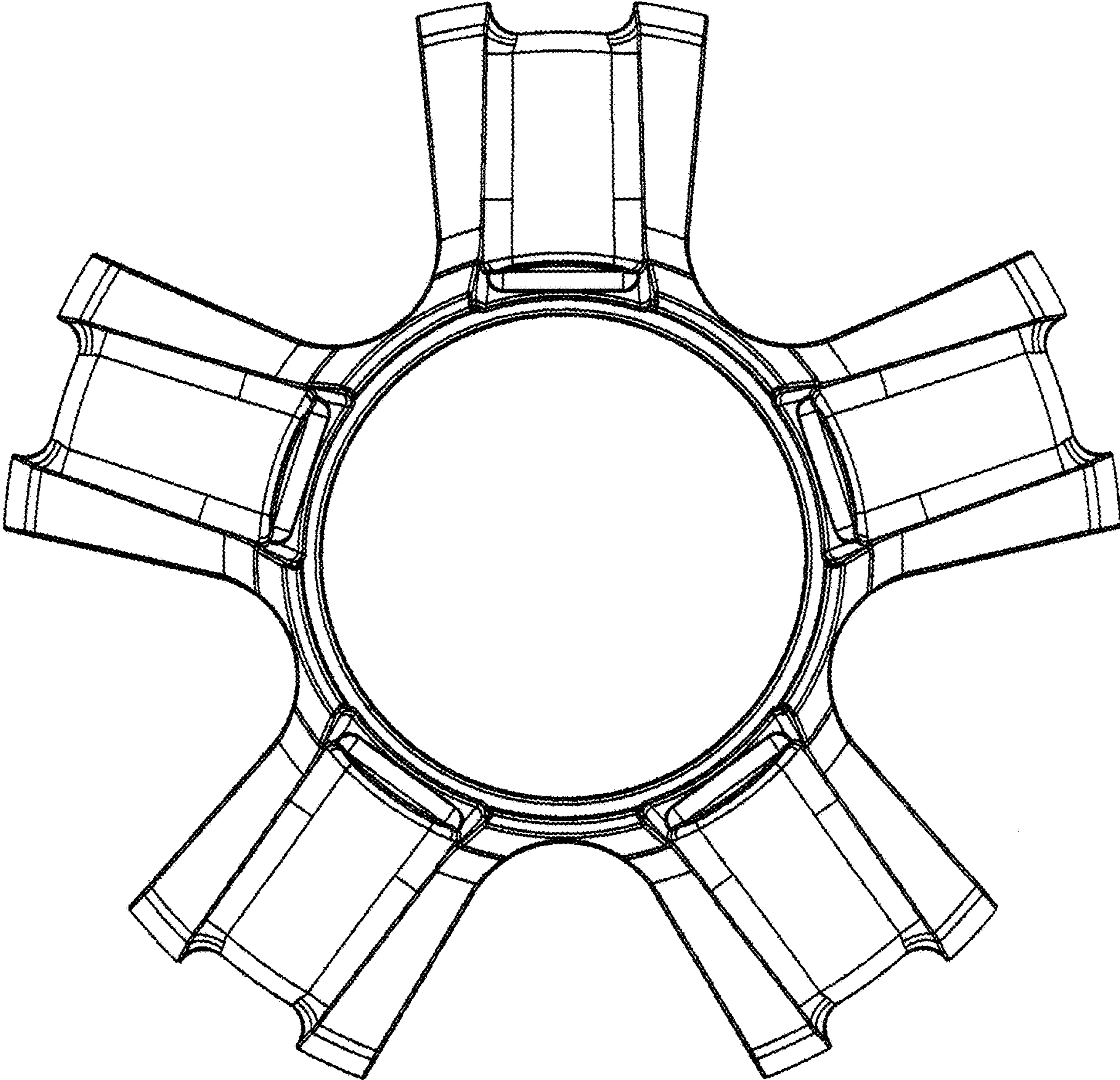


FIG. 3

