



US00D941734S

(12) **United States Design Patent**
Alperstein

(10) **Patent No.:** **US D941,734 S**
(45) **Date of Patent:** **** Jan. 25, 2022**

- (54) **RIM PROTECTOR**
- (71) Applicant: **PADDY's PAD 1201 CC**, Cape Town (ZA)
- (72) Inventor: **Marc Alperstein**, Tijgerhof (ZA)
- (73) Assignee: **PADDY'S PAD 1201 CC**, Cape Town (ZA)
- (**) Term: **15 Years**
- (21) Appl. No.: **29/676,507**
- (22) Filed: **Jan. 11, 2019**
- (30) **Foreign Application Priority Data**

Jul. 13, 2018 (ZA) A2018/01070

- (51) **LOC (13) Cl.** **12-16**
- (52) **U.S. Cl.**
USPC **D12/213**
- (58) **Field of Classification Search**
USPC D12/204-213; D21/563
CPC B60B 7/00; B60B 7/02; B60B 7/04; B60B 7/01; B60B 7/06; B60B 3/02; B60B 3/04; B60B 3/06; B60B 3/10; B60B 1/00; B60B 1/08; B60B 1/10; B60B 1/12
See application file for complete search history.

(56) **References Cited**
U.S. PATENT DOCUMENTS

| | | | | | |
|-----------|------|---------|------------|-------|------------|
| 5,511,857 | A * | 4/1996 | Ichikawa | | B60B 7/01 |
| | | | | | 301/37.105 |
| 7,296,860 | B2 * | 11/2007 | Dangleman | | B60B 7/01 |
| | | | | | 301/37.11 |
| D556,676 | S * | 12/2007 | Montesinos | | D12/213 |
| 8,147,004 | B2 * | 4/2012 | Milicevic | | B60B 7/01 |
| | | | | | 301/37.24 |
| D703,604 | S * | 4/2014 | Milicevic | | D12/213 |
| 8,770,670 | B2 * | 7/2014 | Chester | | B60B 7/06 |
| | | | | | 301/37.24 |

| | | | | | |
|-----------|------|---------|----------|-------|-----------|
| 8,807,664 | B2 * | 8/2014 | Rathbone | | B60B 7/01 |
| | | | | | 301/37.22 |
| 8,985,706 | B2 * | 3/2015 | Dower | | B60B 7/01 |
| | | | | | 301/37.24 |
| D745,447 | S * | 12/2015 | Bowden | | D12/213 |
| D747,257 | S * | 1/2016 | Bowden | | D12/213 |
| 9,370,966 | B2 * | 6/2016 | Rathbone | | B60B 7/01 |

(Continued)

Primary Examiner — Stacia A Cadmus
(74) *Attorney, Agent, or Firm* — Heslin Rothenberg Farley & Mesiti, P.C.

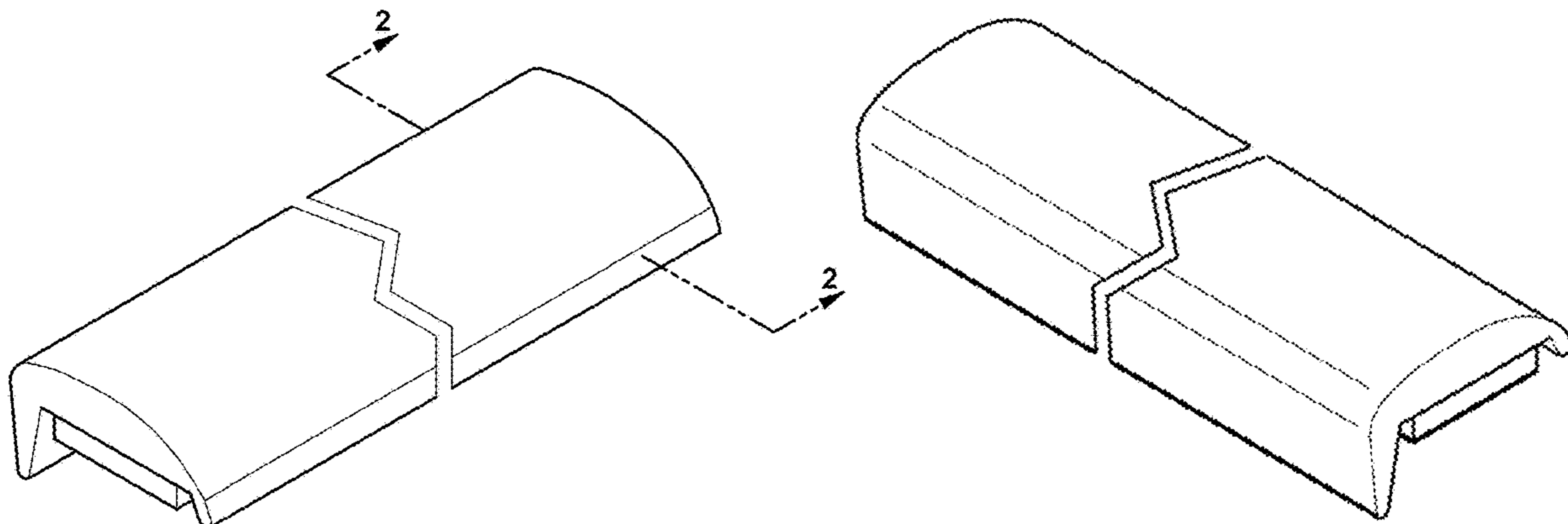
(57) **CLAIM**

I claim the ornamental design for a rim protector, as shown and described.

DESCRIPTION

FIG. 1 is a front perspective view of a rim protector showing the new design from the upper right side thereof;
 FIG. 2 is a cross sectional view thereof taken along line 2-2 in FIG. 1.
 FIG. 3 is a front perspective view from the upper left side thereof;
 FIG. 4 is a front perspective view from the bottom right side thereof;
 FIG. 5 is a front perspective view from the bottom left side thereof;
 FIG. 6 is a right side elevation view thereof;
 FIG. 7 is a left side elevation view thereof;
 FIG. 8 is a top plan view thereof;
 FIG. 9 is a bottom plan view thereof;
 FIG. 10 is a top plan view of the rim protector shown in its position of use. The broken line disclosure of the wheel and tire depicts environmental subject matter and forms no part of the claimed design; and,
 FIG. 11 is a perspective view of FIG. 10.
 The appearance of any portion of the article between the break lines in FIG. 1, 3-9 forms no part of the claim design.

1 Claim, 5 Drawing Sheets



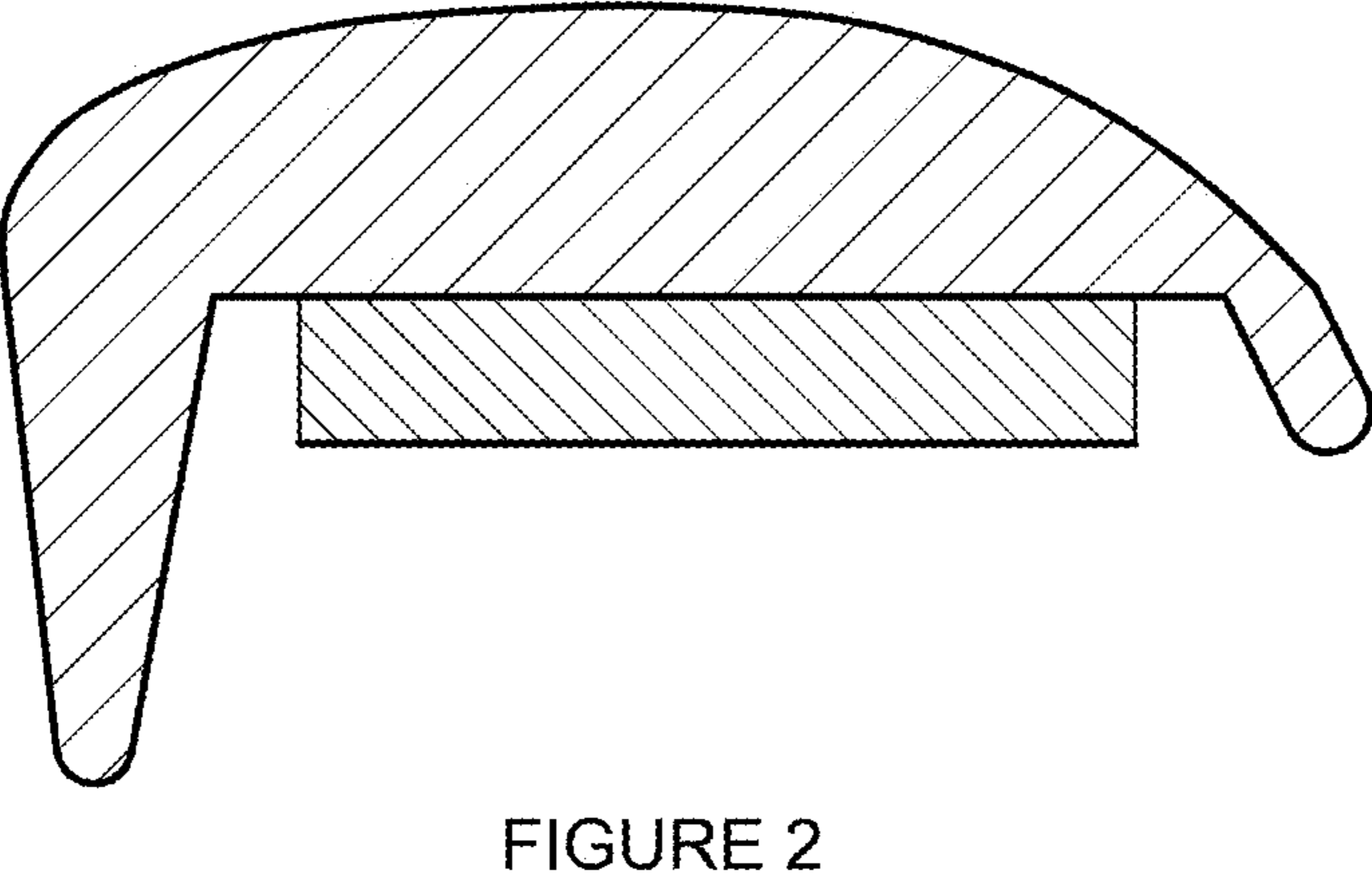
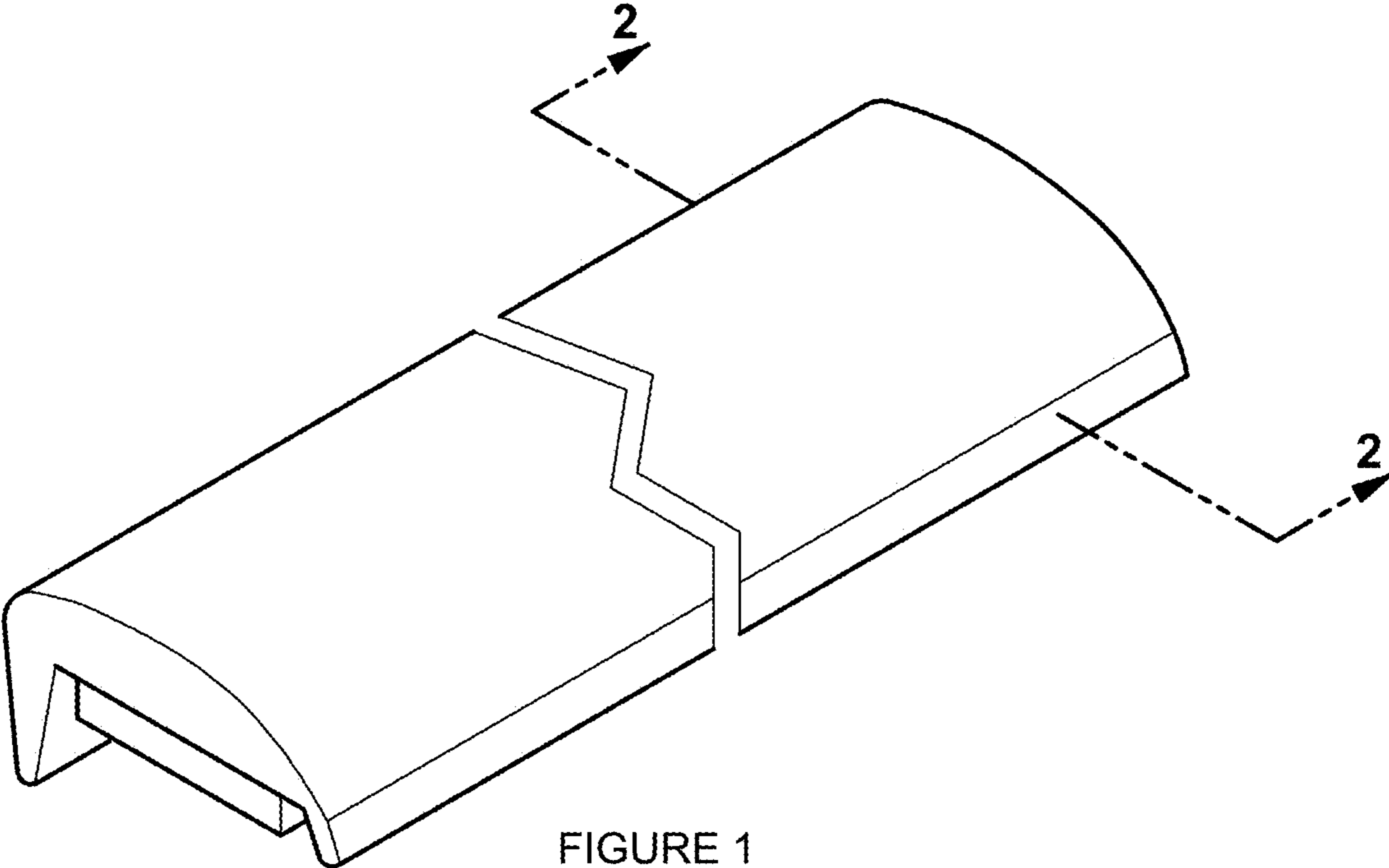
(56)

References Cited

U.S. PATENT DOCUMENTS

D788,012 S * 5/2017 Hughes D12/212
D833,953 S * 11/2018 Hughes D12/212
D904,964 S * 12/2020 Taqvi D12/213

* cited by examiner



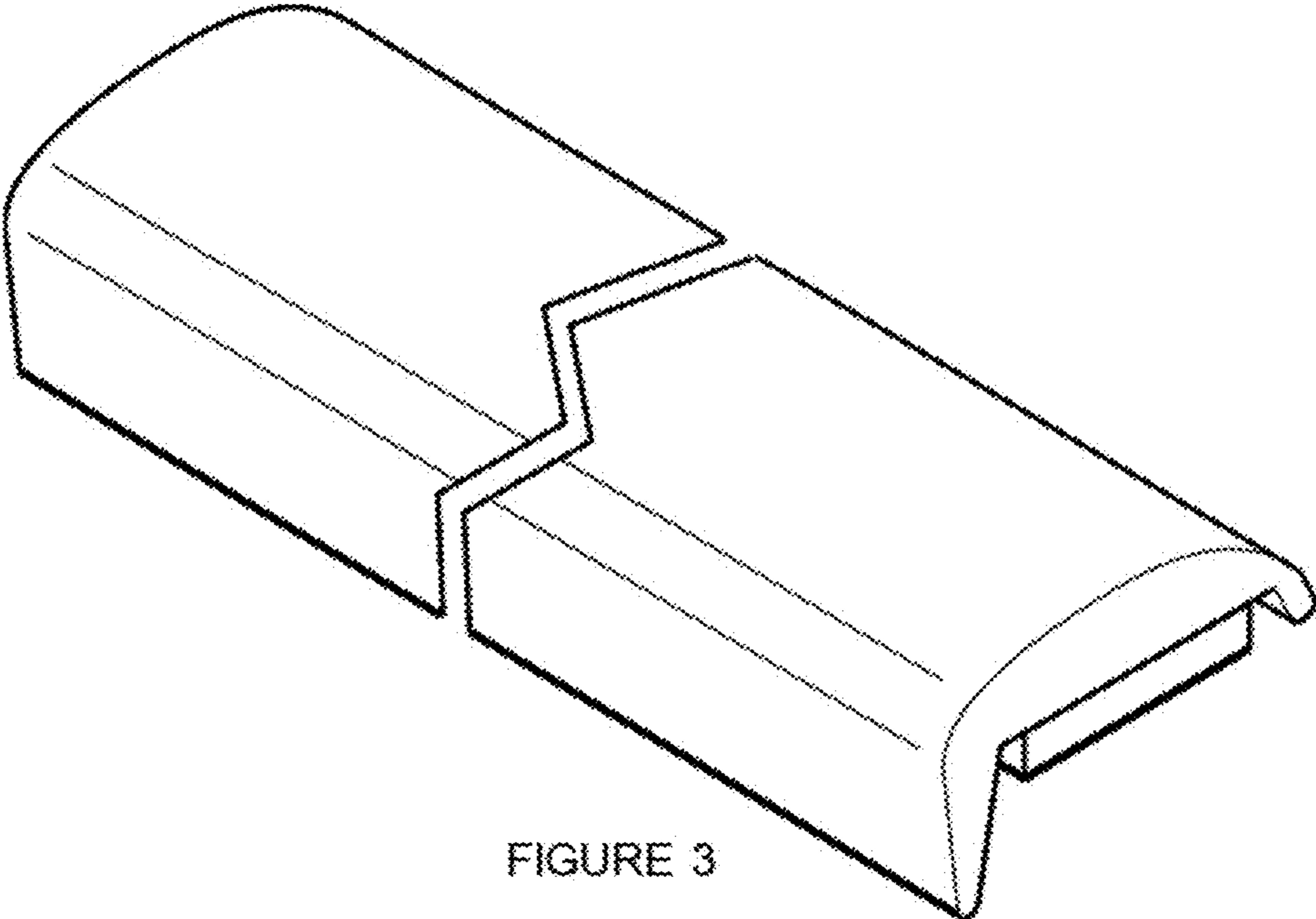


FIGURE 3

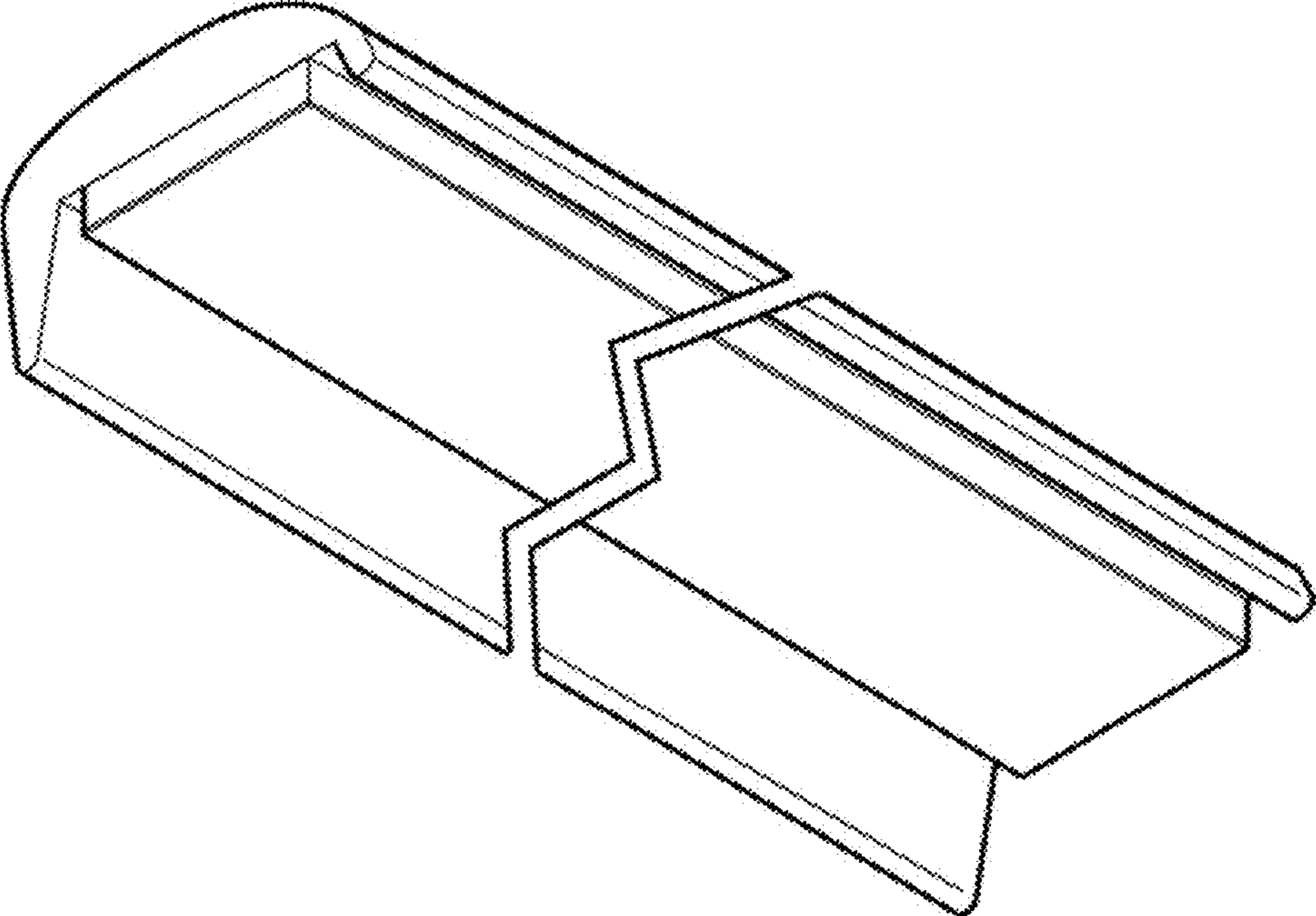


FIGURE 4

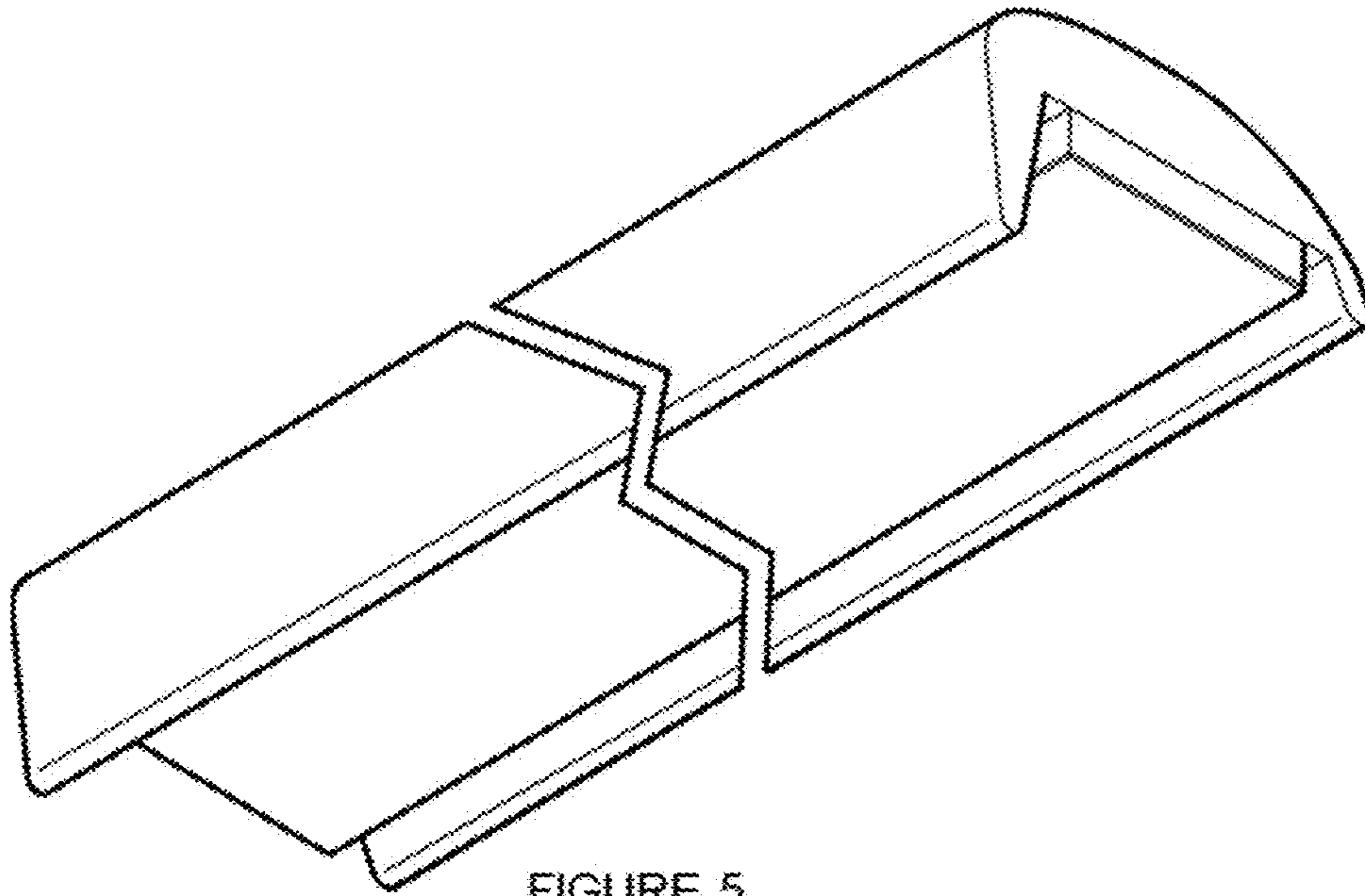


FIGURE 5

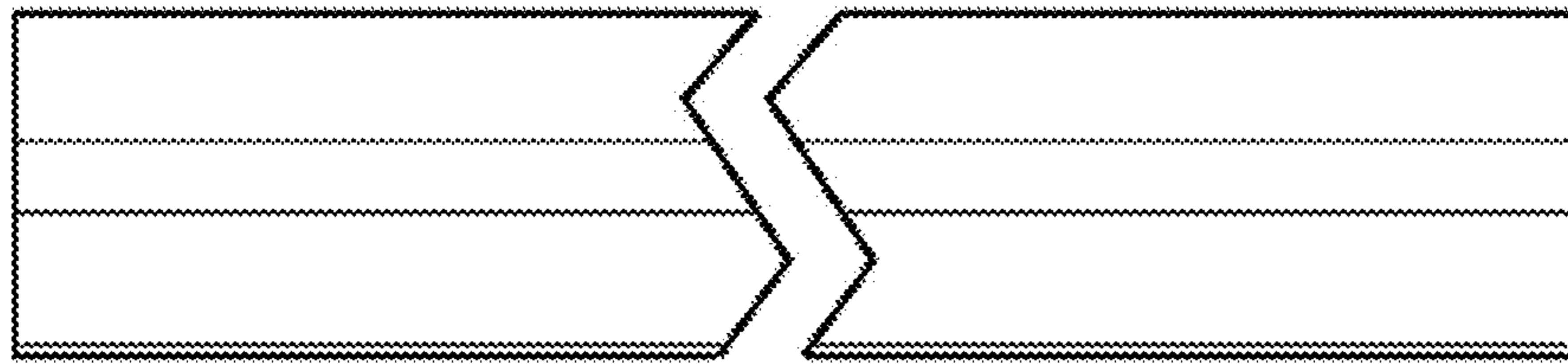


FIGURE 6

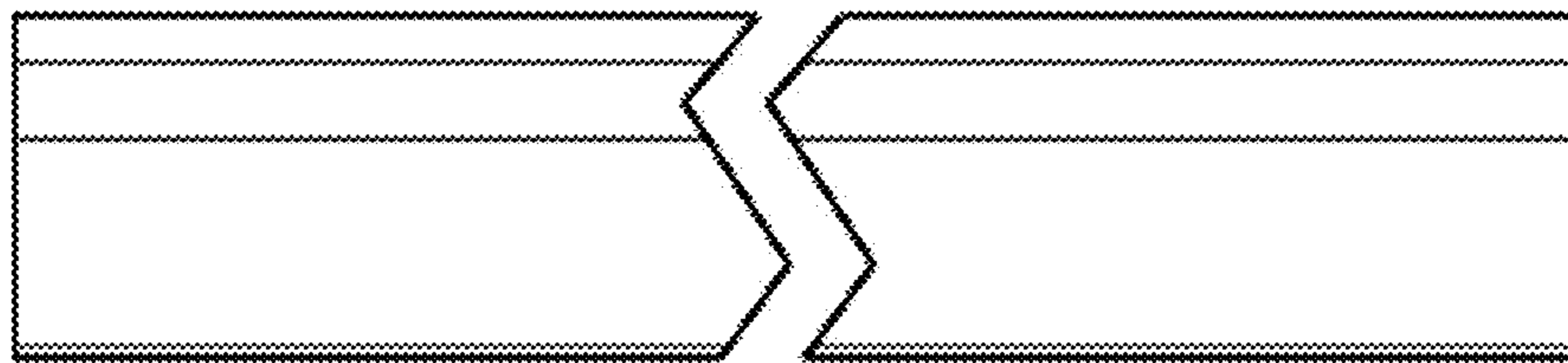


FIGURE 7

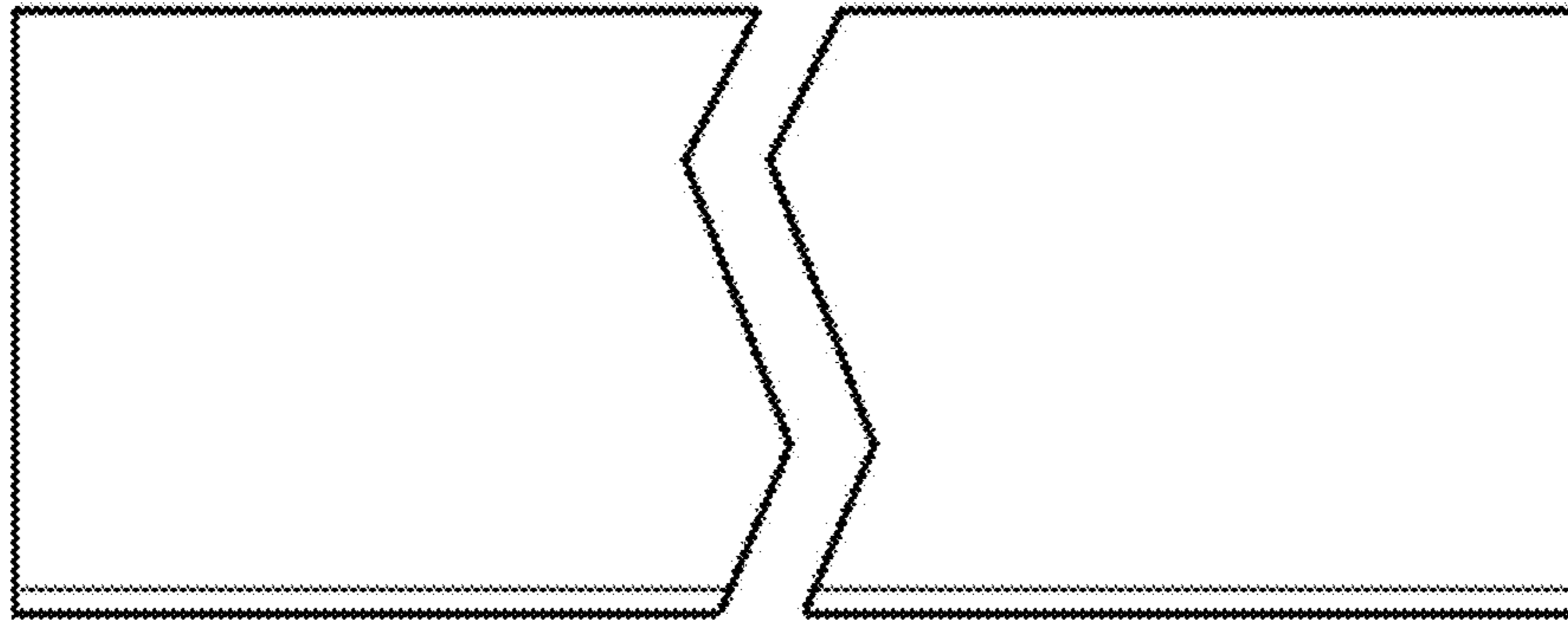


FIGURE 8

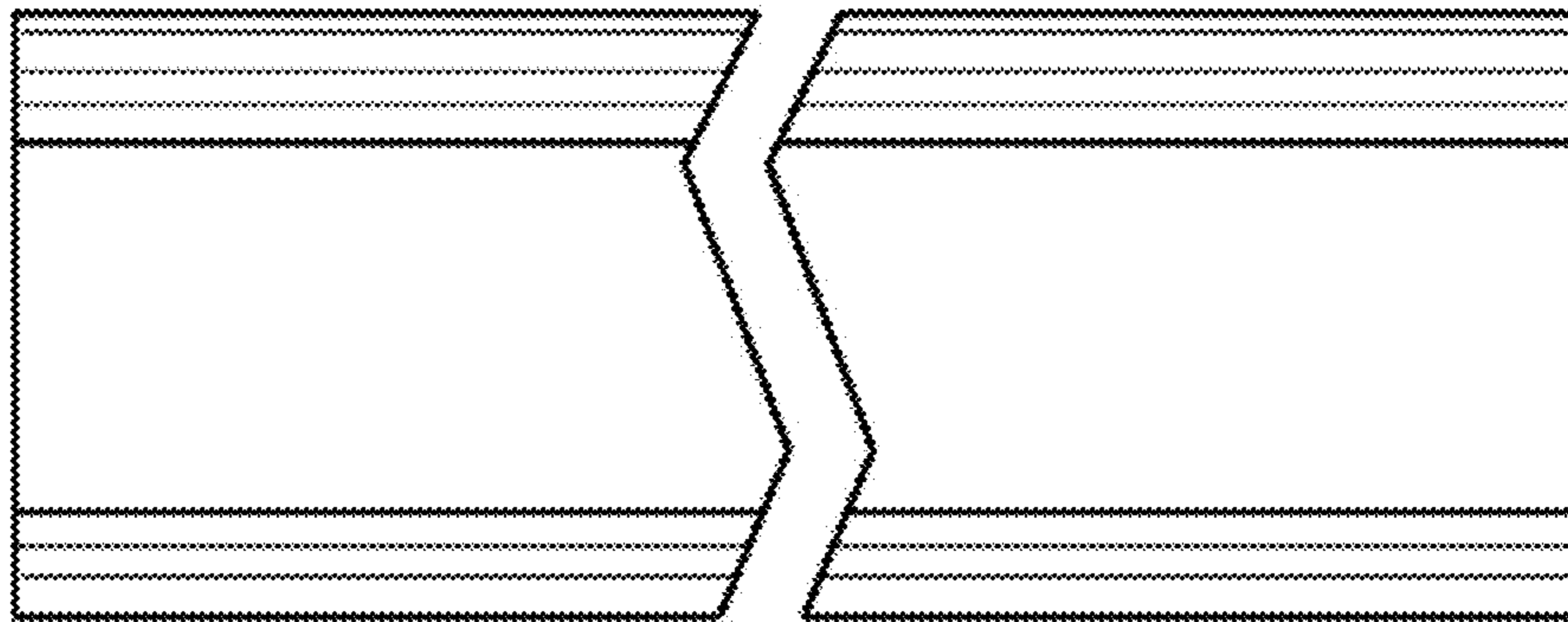


FIGURE 9

FIGURE 10

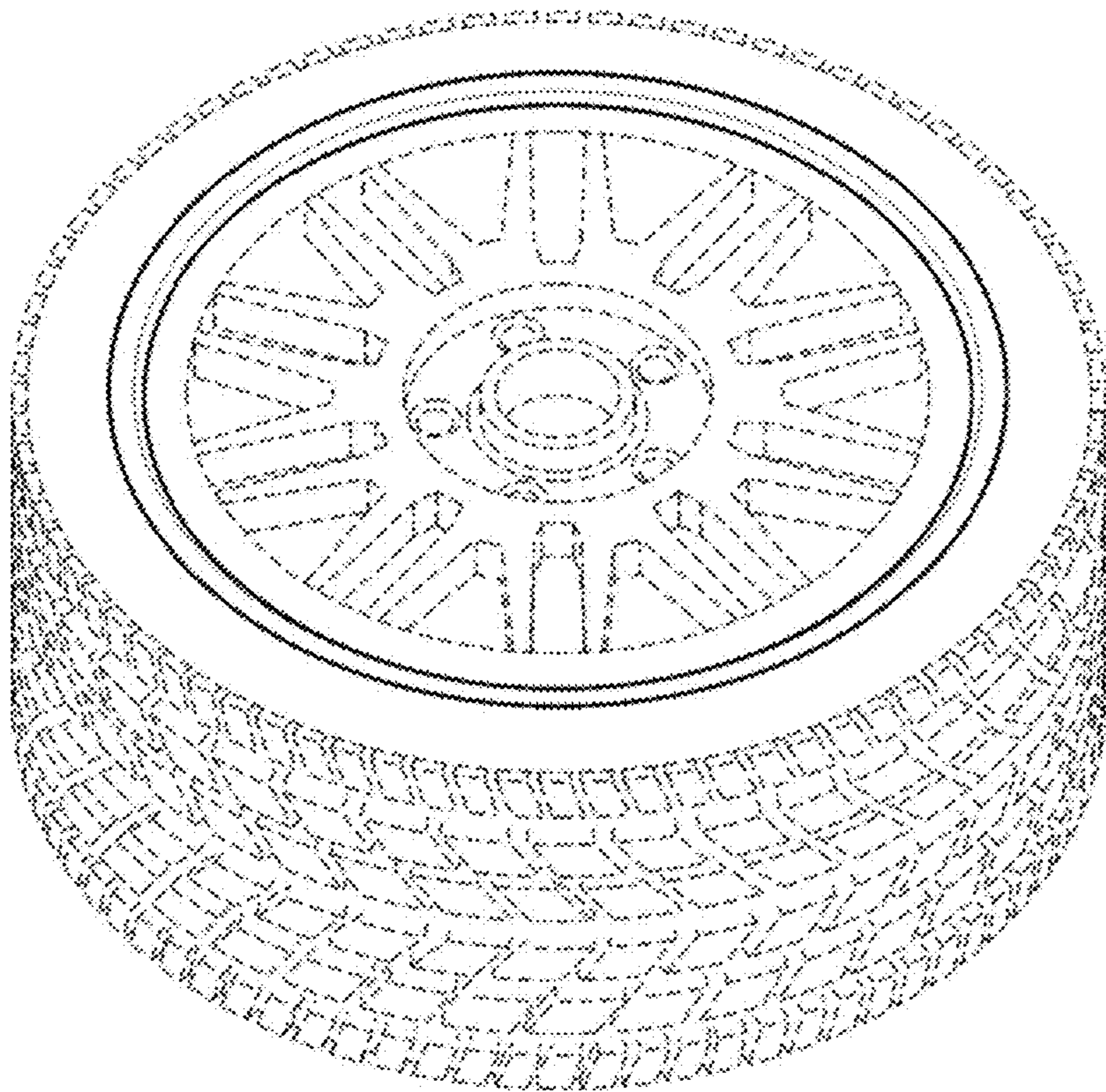
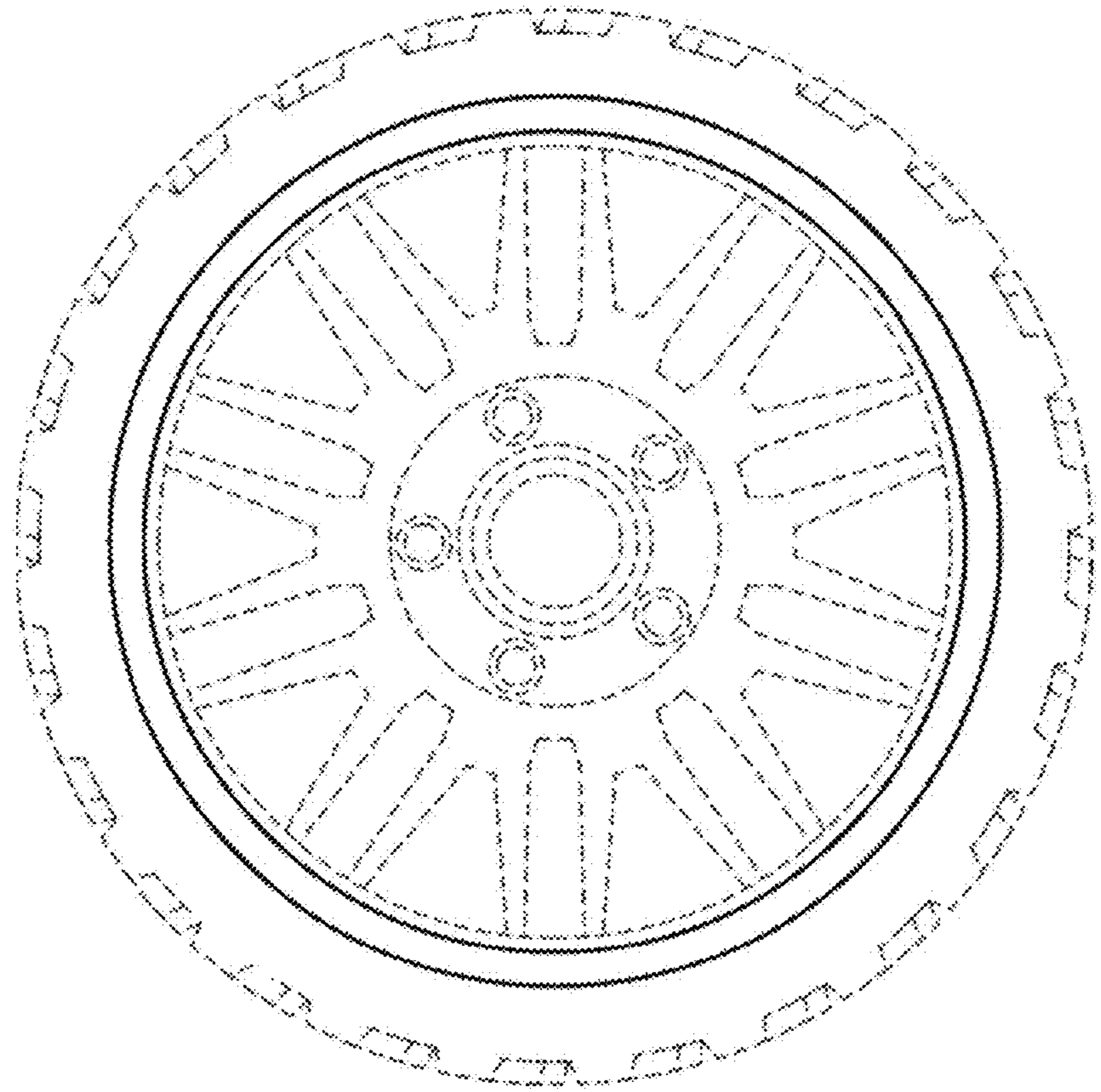


FIGURE 11