



US00D941732S

(12) **United States Design Patent**  
**Mukti**

(10) **Patent No.:** **US D941,732 S**  
(45) **Date of Patent:** **\*\* Jan. 25, 2022**

- (54) **VEHICLE WHEEL**
- (71) Applicant: **Quarsa, LLC**, Chino, CA (US)
- (72) Inventor: **Ali Mukti**, Surabaya (ID)
- (73) Assignee: **Quarsa, LLC**, Chino, CA (US)
- (\*\*) Term: **15 Years**
- (21) Appl. No.: **29/758,648**
- (22) Filed: **Nov. 17, 2020**
- (51) **LOC (13) Cl.** ..... **12-16**
- (52) **U.S. Cl.**  
USPC ..... **D12/209**
- (58) **Field of Classification Search**  
USPC ..... D12/204–213; D21/563  
CPC .... B60B 7/00; B60B 7/02; B60B 7/04; B60B  
7/01; B60B 7/06; B60B 3/02; B60B 3/04;  
B60B 3/06; B60B 3/10; B60B 1/00;  
B60B 1/08; B60B 1/10; B60B 1/12  
See application file for complete search history.

(56) **References Cited**

**U.S. PATENT DOCUMENTS**

- D546,748 S \* 7/2007 Young ..... D12/211
- D567,738 S \* 4/2008 Habib ..... D12/211

- D617,719 S \* 6/2010 Zhao ..... D12/211
- D618,156 S \* 6/2010 Zhao ..... D12/211
- D619,952 S \* 7/2010 Juergens ..... D12/211
- D751,488 S \* 3/2016 Zhao ..... D12/211
- D756,882 S \* 5/2016 Tirado ..... D12/211
- D820,761 S \* 6/2018 Badstuebner ..... D12/211
- D837,128 S \* 1/2019 Liu ..... D12/209
- D874,374 S \* 2/2020 Re ..... D12/209
- D880,391 S \* 4/2020 Liu ..... D12/209
- D894,085 S \* 8/2020 Liu ..... D12/209
- D908,065 S \* 1/2021 Mukti ..... D12/209
- D928,681 S \* 8/2021 Yeh ..... D12/209

\* cited by examiner

*Primary Examiner* — Stacia A Cadmus

(74) *Attorney, Agent, or Firm* — Snell & Wilmer L.L.P.

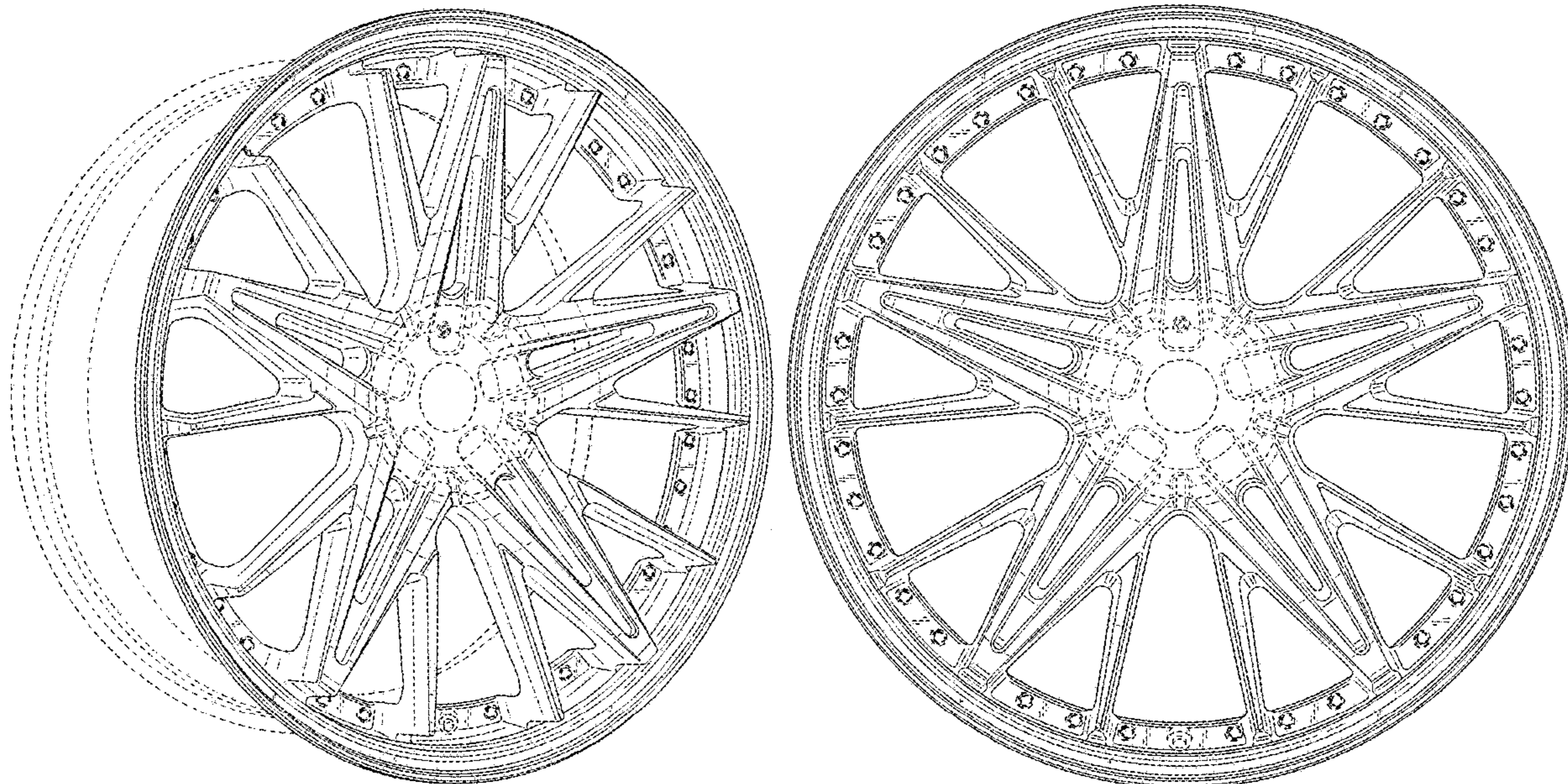
(57) **CLAIM**

I claim the ornamental design for a vehicle wheel, as shown and described.

**DESCRIPTION**

FIG. 1 is a top perspective view of the vehicle wheel showing my new design; and, FIG. 2 is a front view of the vehicle wheel of FIG. 1. In the drawings the broken lines depict portions of the wheel that form no part of the claimed design.

**1 Claim, 2 Drawing Sheets**





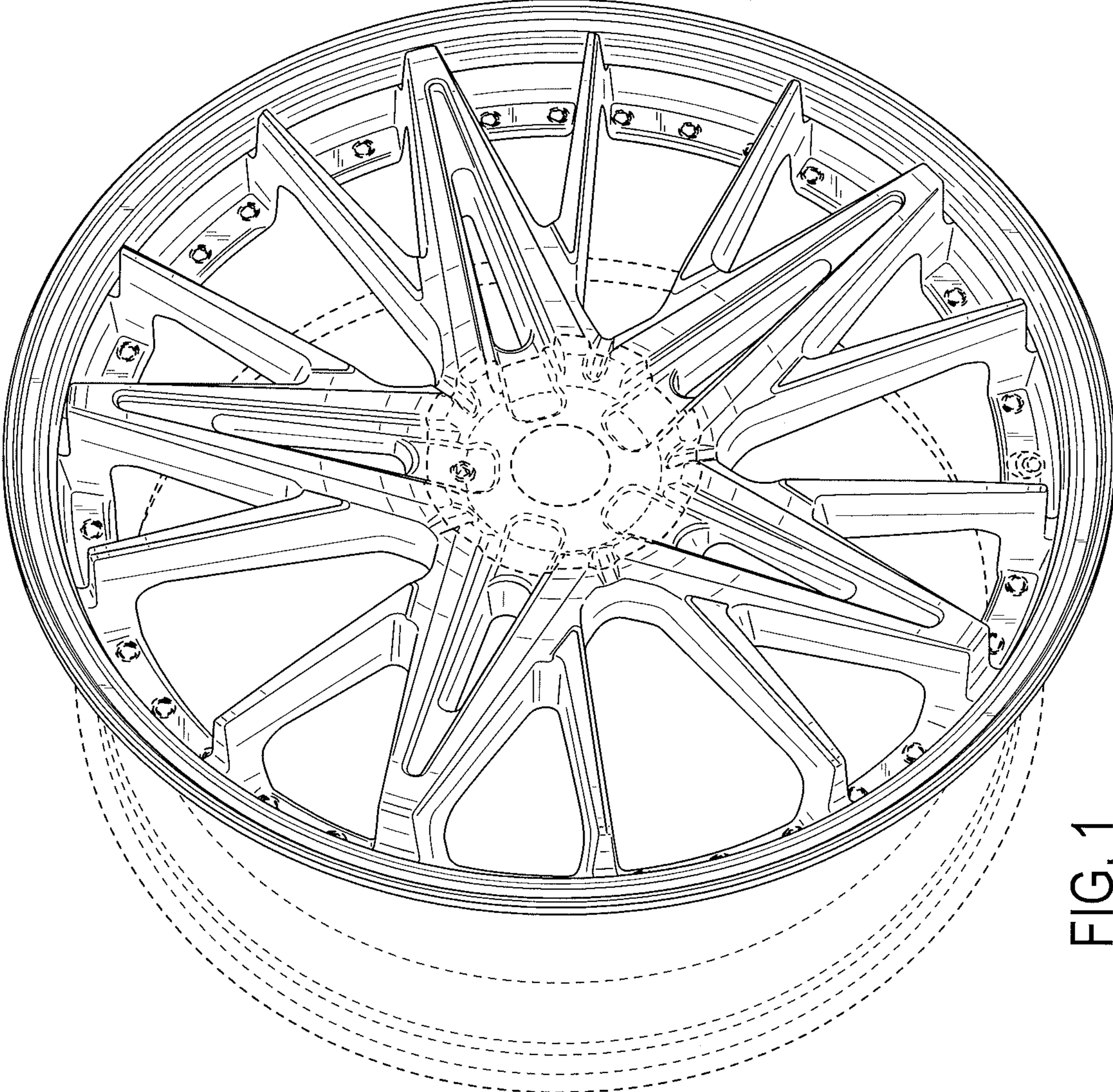


FIG. 1



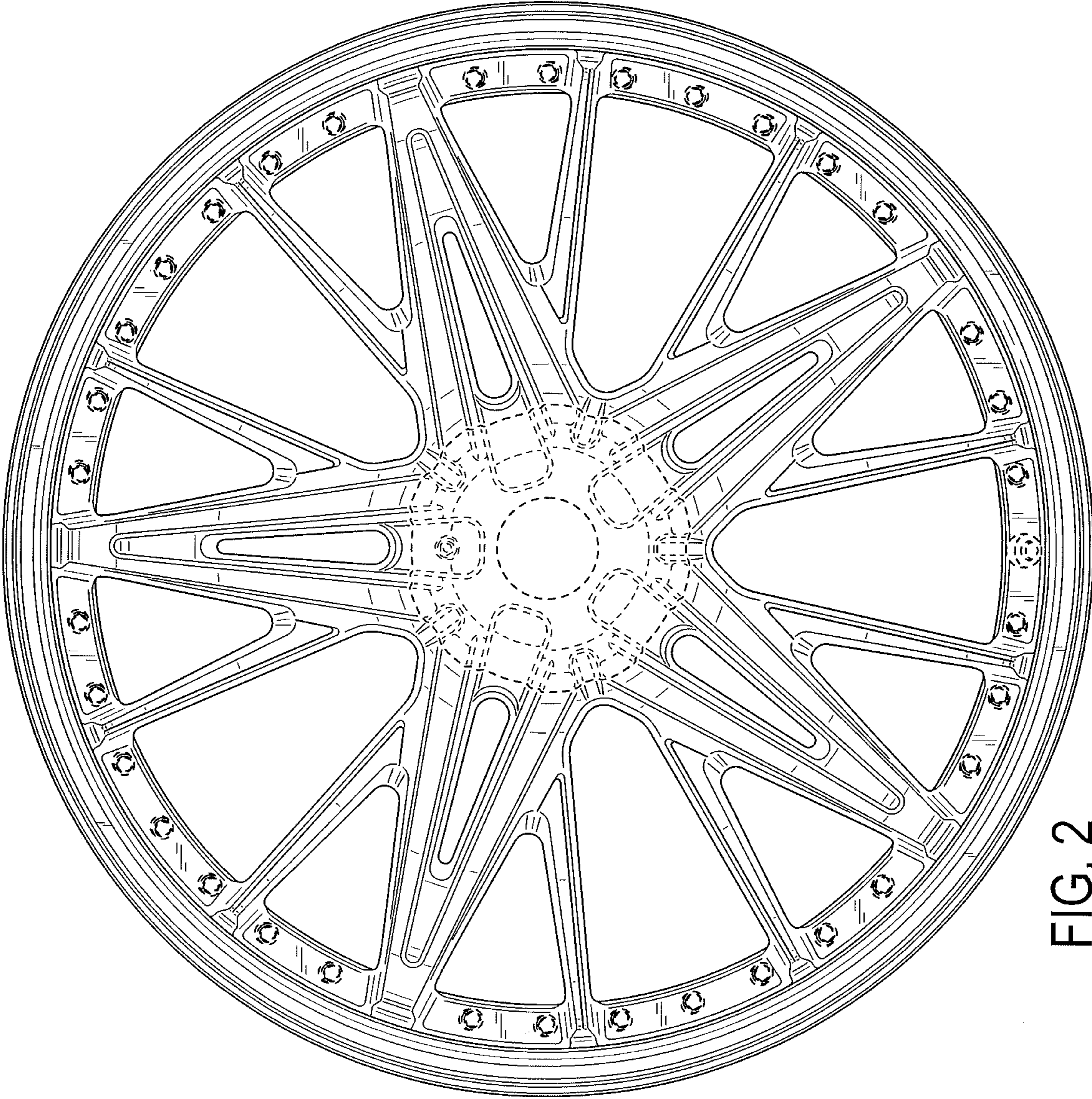


FIG. 2