



US00D941728S

(12) **United States Design Patent**
Kleinschuster et al.

(10) **Patent No.:** **US D941,728 S**
(45) **Date of Patent:** **** Jan. 25, 2022**

- (54) **VEHICLE WHEEL FRONT FACE**
- (71) Applicant: **Custom Wheel House, LLC**, Santa Fe Springs, CA (US)
- (72) Inventors: **Sean J. Kleinschuster**, Menifee, CA (US); **Max J. Mitchell**, Valley Center, CA (US)
- (73) Assignee: **Custom Wheel House, LLC**, Santa Fe Springs, CA (US)
- (**) Term: **15 Years**
- (21) Appl. No.: **29/753,535**
- (22) Filed: **Sep. 30, 2020**
- (51) **LOC (13) Cl.** **12-16**
- (52) **U.S. Cl.**
USPC **D12/209**
- (58) **Field of Classification Search**
USPC D12/204–213; D21/563
CPC B60B 7/00; B60B 7/02; B60B 7/04; B60B 7/01; B60B 7/06; B60B 3/02; B60B 3/04; B60B 3/06; B60B 3/10; B60B 1/00; B60B 1/08; B60B 1/10; B60B 1/12
See application file for complete search history.

(56) **References Cited**

U.S. PATENT DOCUMENTS

| | | | | |
|--------------|---------|------------|-------|---------|
| D344,924 S * | 3/1994 | Braungart | | D12/211 |
| D450,649 S * | 11/2001 | Penzes | | D12/211 |
| D520,435 S * | 5/2006 | Kulla | | D12/211 |
| D522,950 S * | 6/2006 | Pfeiffer | | D12/211 |
| D569,778 S | 5/2008 | Kim | | |
| D593,474 S * | 6/2009 | Flueckiger | | D12/209 |
| D596,548 S * | 7/2009 | Gallert | | D12/211 |
| D632,239 S * | 2/2011 | Gallert | | D12/211 |
| D633,840 S * | 3/2011 | Johnson | | D12/209 |
| D660,765 S * | 5/2012 | Gotschke | | D12/209 |

| | | | | |
|--------------|---------|----------------|-------|---------|
| D713,313 S * | 9/2014 | Stucki | | D12/209 |
| D714,705 S | 10/2014 | Kong | | |
| D714,708 S | 10/2014 | Chung | | |
| D722,548 S | 2/2015 | Chung | | |
| D726,618 S * | 4/2015 | Dingle | | D12/209 |
| D727,829 S | 4/2015 | Chung | | |
| D733,025 S | 6/2015 | Chung | | |
| D737,191 S | 8/2015 | Chung | | |
| D755,690 S * | 5/2016 | von Tardy-Tuch | | D12/209 |
| D758,279 S | 6/2016 | Platto et al. | | |
| D758,944 S * | 6/2016 | Rolfs | | D12/209 |
| D758,947 S * | 6/2016 | Zhao | | D12/211 |
| D763,163 S | 8/2016 | Chung | | |
| D783,498 S | 4/2017 | Platto et al. | | |
| D790,427 S | 6/2017 | Palana | | |
| D793,939 S * | 8/2017 | Hans | | D12/211 |
| D800,630 S | 10/2017 | Tran | | |
| D806,626 S | 1/2018 | Tran | | |
| D806,630 S | 1/2018 | McMath | | |
| D833,950 S | 11/2018 | Sempek | | |
| D848,927 S | 5/2019 | Kleinschuster | | |
| D863,176 S * | 10/2019 | Gregory | | D12/209 |
| D887,944 S * | 6/2020 | Han | | D12/209 |
| D897,257 S * | 9/2020 | Tran | | D12/209 |
| D902,105 S * | 11/2020 | Luo | | D12/209 |

(Continued)

Primary Examiner — Stacia A Cadmus

(74) *Attorney, Agent, or Firm* — Reising Ethington P.C.;
Jeffrey L. Doyle

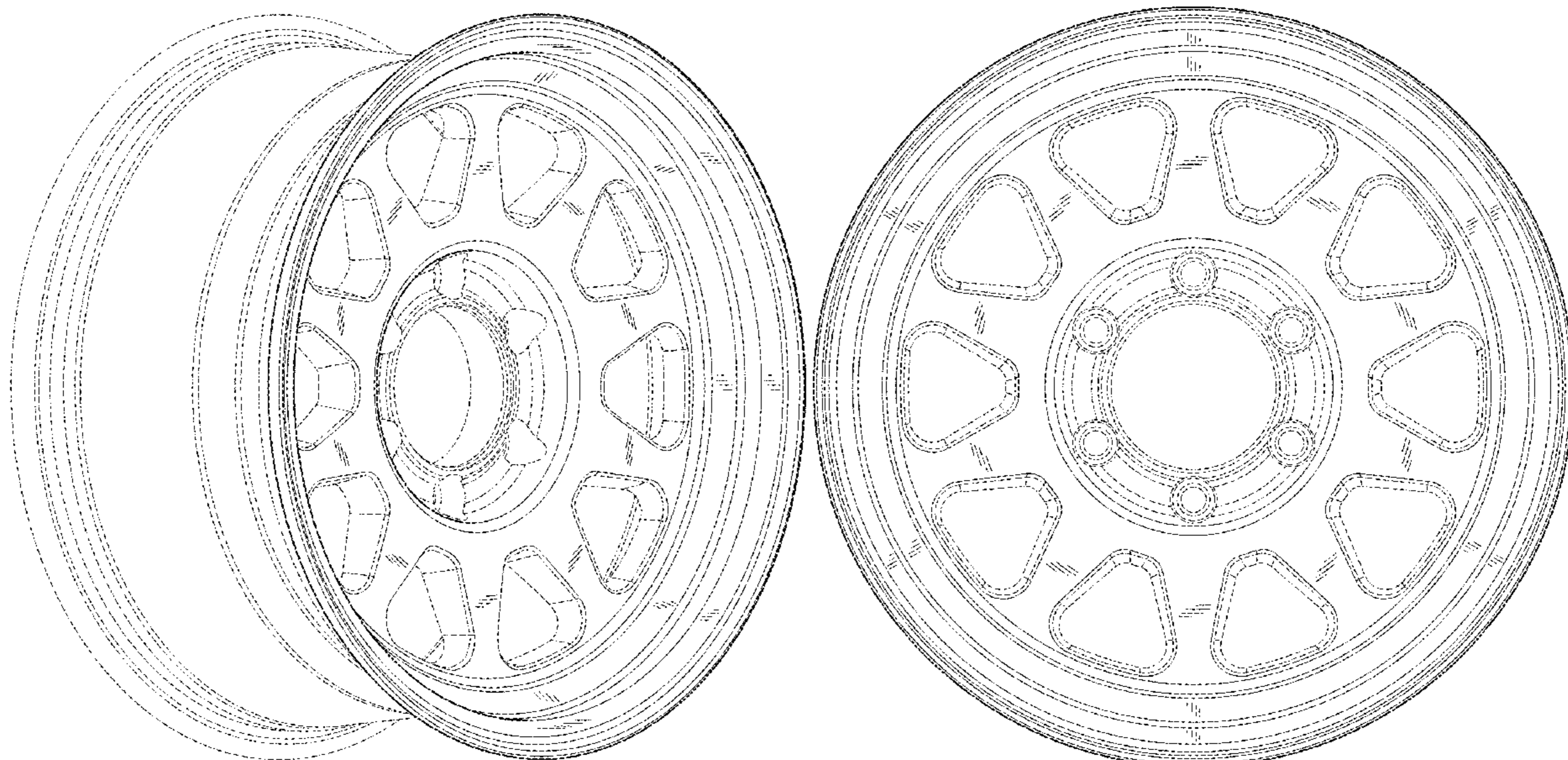
(57) **CLAIM**

The ornamental design for a vehicle wheel front face, as shown and described.

DESCRIPTION

FIG. 1 is a front perspective view of the vehicle wheel front face;
FIG. 2 is a front elevation view thereof; and,
FIG. 3 is a side elevation view thereof.
In the drawings, the broken lines depict portions of the wheel front face that form no part of the claimed design.

1 Claim, 3 Drawing Sheets



(56)

References Cited

U.S. PATENT DOCUMENTS

| | | | |
|--------------|--------|--------------|---------|
| D906,924 S * | 1/2021 | Liu | D12/209 |
| D908,064 S * | 1/2021 | Mukti | D12/209 |
| D910,524 S * | 2/2021 | Han | D12/209 |
| D913,897 S * | 3/2021 | VanRyn | D12/209 |
| D928,063 S * | 8/2021 | Han | D12/211 |
| D928,064 S * | 8/2021 | Snyder | D12/209 |

* cited by examiner

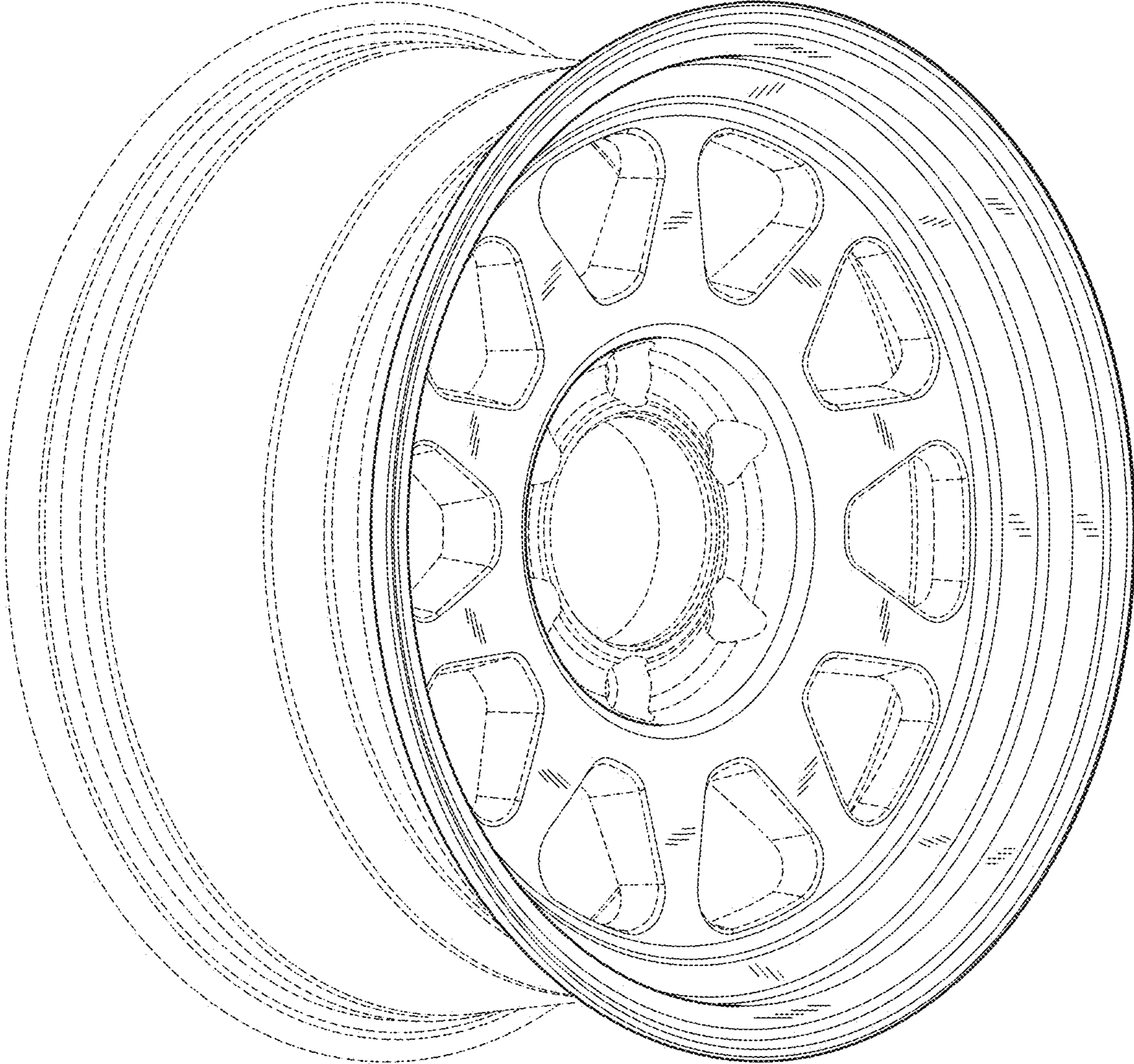


FIG. 1

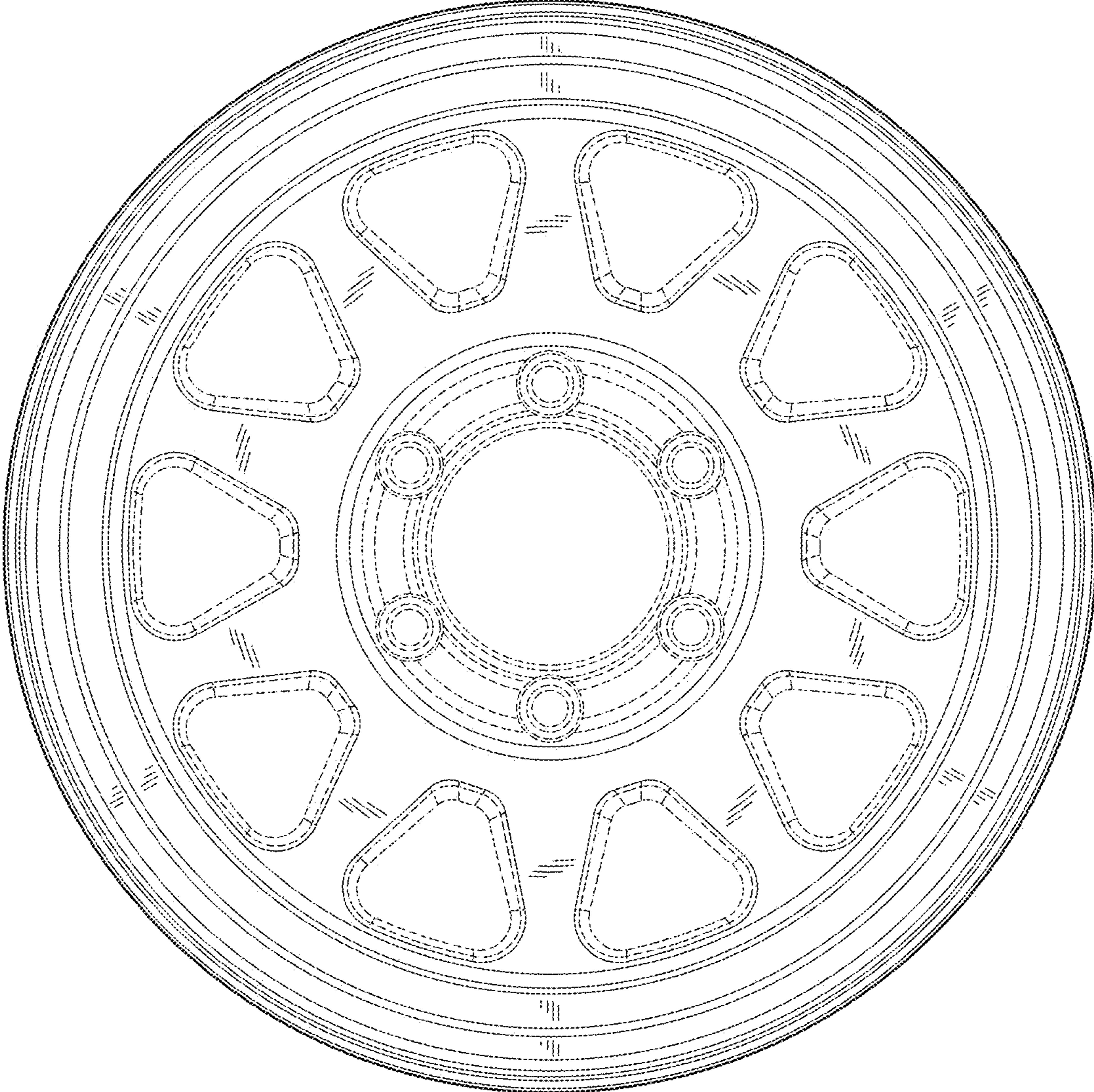


FIG. 2

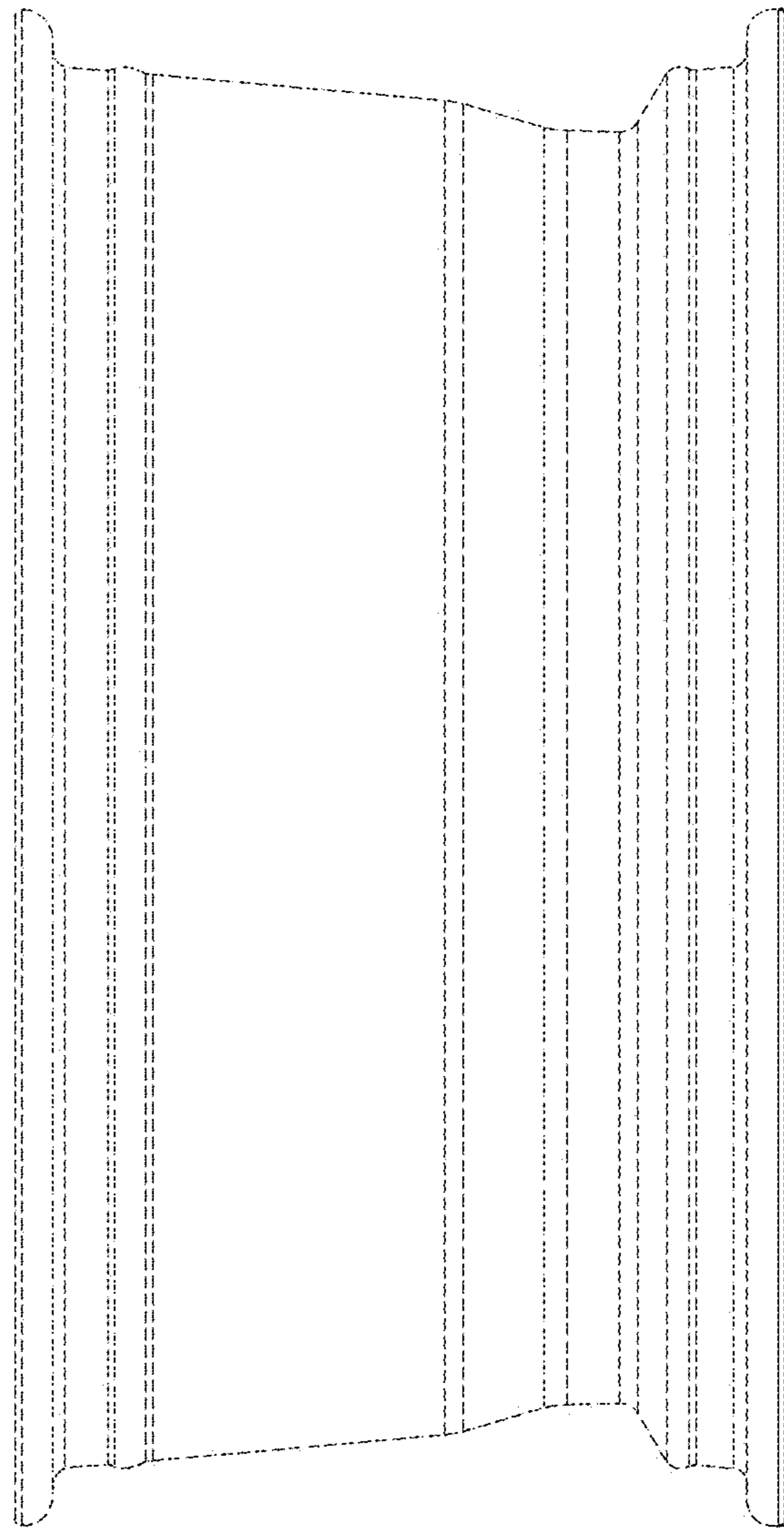


FIG. 3