



US00D941724S

(12) **United States Design Patent**
Sempek

(10) **Patent No.:** **US D941,724 S**

(45) **Date of Patent:** **** Jan. 25, 2022**

(54) **WHEEL RIM**

(71) Applicant: **Allied Wheel Components**, Garden Grove, CA (US)

(72) Inventor: **Christopher Sean Sempek**, Long Beach, CA (US)

(73) Assignee: **Allied Wheel Components**, Garden Grove, CA (US)

(**) Term: **15 Years**

(21) Appl. No.: **29/719,782**

(22) Filed: **Jan. 7, 2020**

(51) **LOC (13) Cl.** **12-16**

(52) **U.S. Cl.**
USPC **D12/209**

(58) **Field of Classification Search**
USPC D12/204–213; D21/563
CPC B60B 7/00; B60B 7/02; B60B 7/04; B60B 7/01; B60B 7/06; B60B 3/02; B60B 3/04; B60B 3/06; B60B 3/10; B60B 1/00; B60B 1/08; B60B 1/10; B60B 1/12
See application file for complete search history.

(56) **References Cited**

U.S. PATENT DOCUMENTS

D58,279 S	6/1921	Wheeh et al.	
1,404,382 A	1/1922	Lewis et al.	
1,530,863 A	3/1925	Vanderveer et al.	
D396,208 S	7/1998	Baumgartner et al.	
D450,649 S	11/2001	Penzes	
D461,441 S *	8/2002	Hartanto D12/211	
D477,556 S	7/2003	Koch	
D481,984 S	11/2003	Sulahian	
D497,870 S	11/2004	Cahyono	
D504,101 S	4/2005	Pfeiffer	
D508,007 S	8/2005	Koch	
D513,728 S	1/2006	Yazawa et al.	

D516,490 S	3/2006	Baer	
D524,217 S	7/2006	Aoki	
D528,061 S *	9/2006	Saridakis D12/211	
D529,426 S	10/2006	Metros et al.	
D534,473 S	1/2007	Bernoni	
D538,215 S	3/2007	Laengerer	
D542,210 S	5/2007	Plumer	
D543,922 S	6/2007	Young	
D555,065 S	11/2007	Hernandez	
D587,179 S	2/2009	Pfeiffer	
D608,711 S	1/2010	Juergens et al.	
D609,624 S	2/2010	Matsubara	
D617,710 S	6/2010	Ectors et al.	
D619,070 S	7/2010	Pollmann	
D620,862 S	8/2010	Pollmann	
D623,110 S	9/2010	Juergens et al.	
D628,948 S	12/2010	Chung	
D629,347 S	12/2010	Kim	
D632,239 S	2/2011	Gallert	

(Continued)

OTHER PUBLICATIONS

Raceline Wheels, Go Everywhere, Catalog, Apr. 7, 2017, Allied Wheel Components Inc. vol. 29, 16 pages.

(Continued)

Primary Examiner — Stacia A Cadmus
(74) *Attorney, Agent, or Firm* — Fish IP Law, LLP;
Joseph A. Andelin

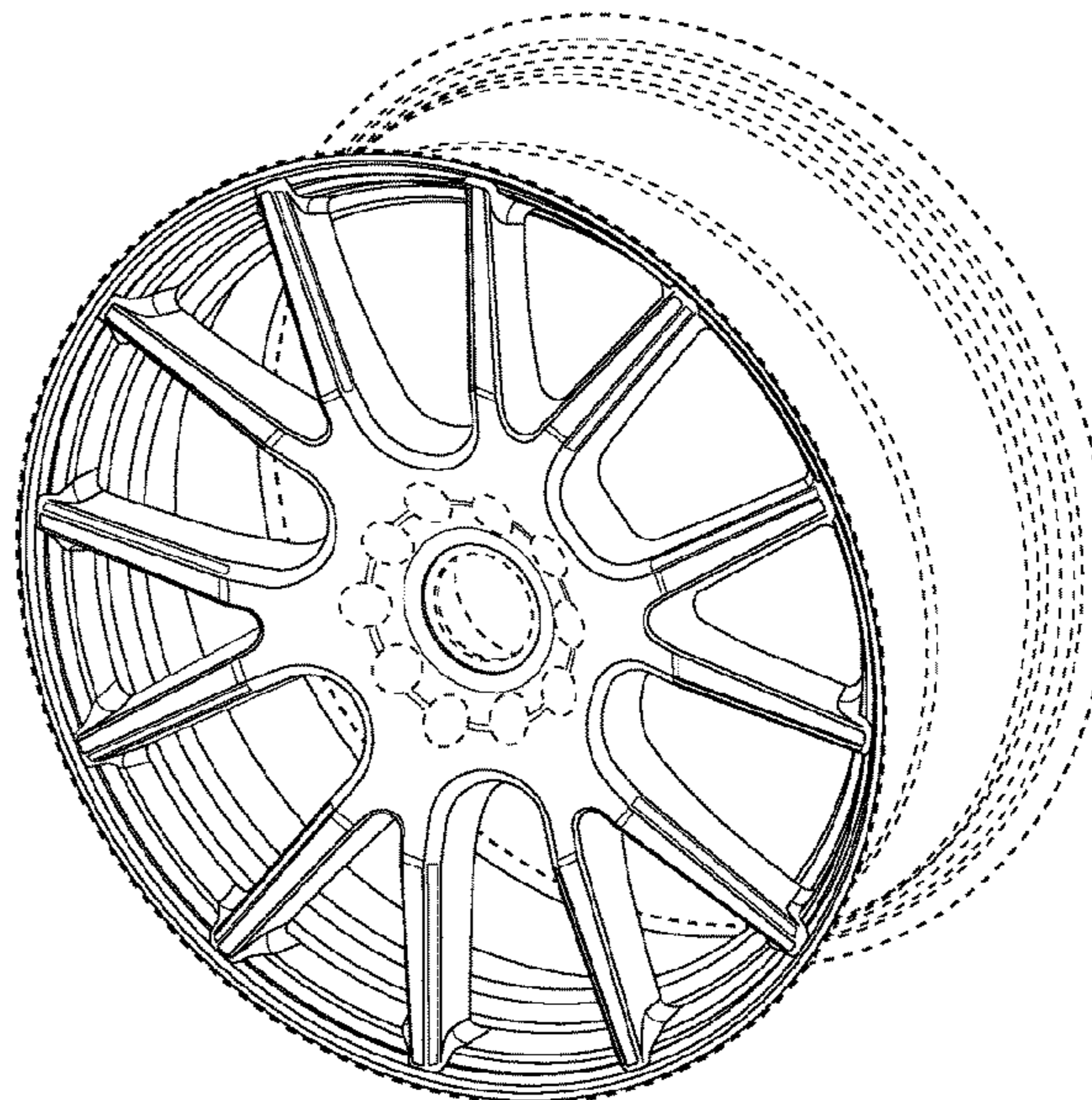
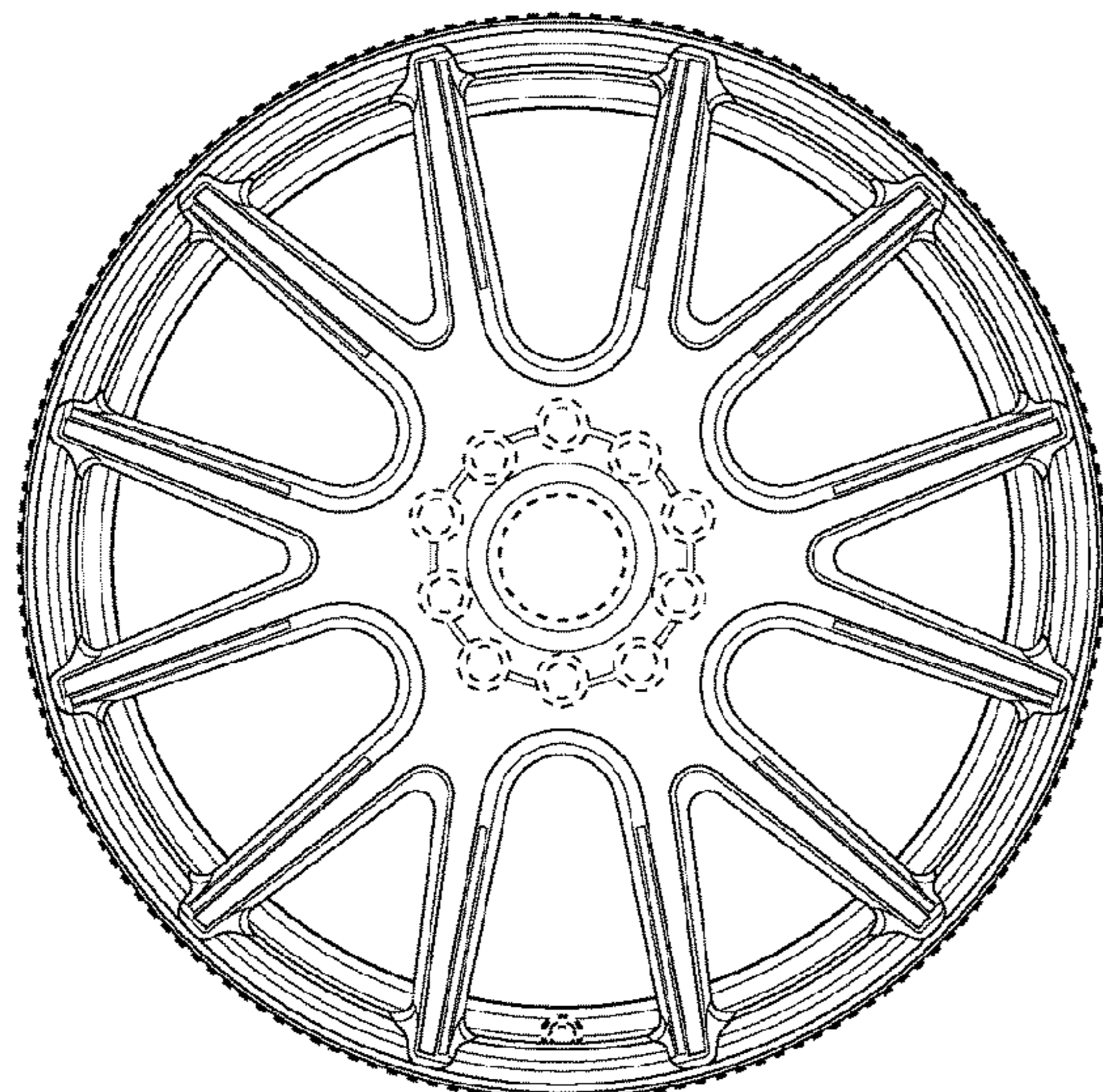
(57) **CLAIM**

I claim the ornamental design for a wheel rim, as shown and described.

DESCRIPTION

FIG. 1 is a front elevation view of a wheel rim of the new design; and,
FIG. 2 is a top, front, right side perspective view thereof. The broken lines depicting portions of the wheel rim form no part of the claim.

1 Claim, 2 Drawing Sheets



(56)

References Cited

U.S. PATENT DOCUMENTS

D639,222 S 6/2011 Johnson
 D644,587 S 9/2011 Gotschke
 D659,063 S 5/2012 Johnson
 D660,220 S 5/2012 Chan
 D666,546 S 9/2012 Juergens et al.
 D667,355 S 9/2012 Gotschke
 D682,180 S 5/2013 Zhao
 D688,190 S 8/2013 Hodges
 D691,542 S 10/2013 Chan
 D695,183 S 12/2013 Chung
 D702,173 S 4/2014 Perini
 D706,196 S 6/2014 Lee
 D715,722 S 10/2014 Johnson
 D717,224 S 11/2014 Kim
 D717,711 S 11/2014 Kern
 D720,271 S 12/2014 Mielke et al.
 D721,318 S 1/2015 Kim
 D722,937 S 2/2015 Johnson
 D724,515 S 3/2015 Chung
 D726,089 S 4/2015 Hodges
 D726,090 S 4/2015 Hilpert
 D732,449 S * 6/2015 Grake D12/209
 D739,329 S 9/2015 Watkin
 D744,399 S 12/2015 Juergens et al.
 D744,931 S 12/2015 Curic et al.
 D749,486 S 2/2016 Huang
 D751,481 S 3/2016 Chung
 D751,966 S 3/2016 Zhao
 D754,049 S 4/2016 Valencia
 D756,877 S 5/2016 Huang
 D772,133 S 11/2016 Stone et al.
 D775,047 S 12/2016 Wheel
 D782,951 S 4/2017 Djerke
 D786,768 S 5/2017 Yousswef
 D791,035 S 7/2017 Palana
 D799,398 S 10/2017 Liffick
 D800,046 S * 10/2017 Chung D12/211
 D800,628 S 10/2017 Tran
 D803,129 S 11/2017 McMath
 D806,630 S 1/2018 McMath
 D806,631 S * 1/2018 Sempek D12/211
 D808,325 S 1/2018 Chung
 D813,137 S 3/2018 Sempek

D813,780 S 3/2018 Sempek
 D817,844 S 5/2018 Hale, Jr.
 D820,184 S * 6/2018 Bucher D12/209
 D829,629 S * 10/2018 Chung D12/209
 D832,763 S * 11/2018 Han D12/209
 D851,005 S * 6/2019 Hodges D12/209
 D856,251 S * 8/2019 Dewitt D12/209
 D865,617 S * 11/2019 Hahn D12/209
 D865,623 S * 11/2019 Han D12/209
 D871,997 S * 1/2020 Itaya D12/209
 D879,001 S * 3/2020 Lee D12/209
 D900,699 S * 11/2020 Widua D12/209
 D910,525 S * 2/2021 Tran D12/209
 D912,595 S * 3/2021 VanRyn D12/209
 D914,574 S * 3/2021 VanRyn D12/209
 D915,978 S * 4/2021 Ma D12/209

OTHER PUBLICATIONS

Raceline Wheels, Go Everywhere, Catalog, Oct. 16, 2015, Allied Wheel Components Inc., vol. 24, 28 pages.
 Raceline Wheels, Go Everywhere, Catalog, Feb. 21, 2017, Allied Wheel Components Inc., vol. 22, 9 pages.
 Raceline Wheels, Go Everywhere, Catalog, Feb. 21, 2017, Allied Wheel Components Inc., vol. 23, 16 pages.
 Raceline Wheels, Go Everywhere, Catalog, Feb. 23, 2017, Allied Wheel Components Inc., vol. 28, 20 pages.
 Raceline Wheels, Go Everywhere, Catalog, Mar. 24, 2016, Allied Wheel Components Inc., vol. 26, 28 pages.
 Raceline Wheels, Go Everywhere, Catalog, Oct. 24, 2016, Allied Wheel Components Inc., vol. 27, 20 pages.
 Raceline Wheels, Go Everywhere, Catalog, Oct. 25, 2017, Allied Wheel Components Inc., vol. 30, 20 pages.
 Raceline Wheels, Go Everywhere, Catalog, Jan. 26, 2016, Allied Wheel Components Inc., vol. 25, 28 pages.
 Raceline Wheels, Go Everywhere, Catalog, Feb. 27, 2018, Allied Wheel Components Inc., vol. 31, 24 pages.
 Raceline Wheels, Go Everywhere, Catalog, Allied Wheel Components Inc., vol. 22, 16 pages.
 Raceline Wheels, Go Everywhere, Catalog, Allied Wheel Components Inc., vol. 26, 13 pages.
 Raceline Wheels, SEMA Catalog, 2019, Allied Wheel Components Inc., vol. 32, 24 pages.

* cited by examiner

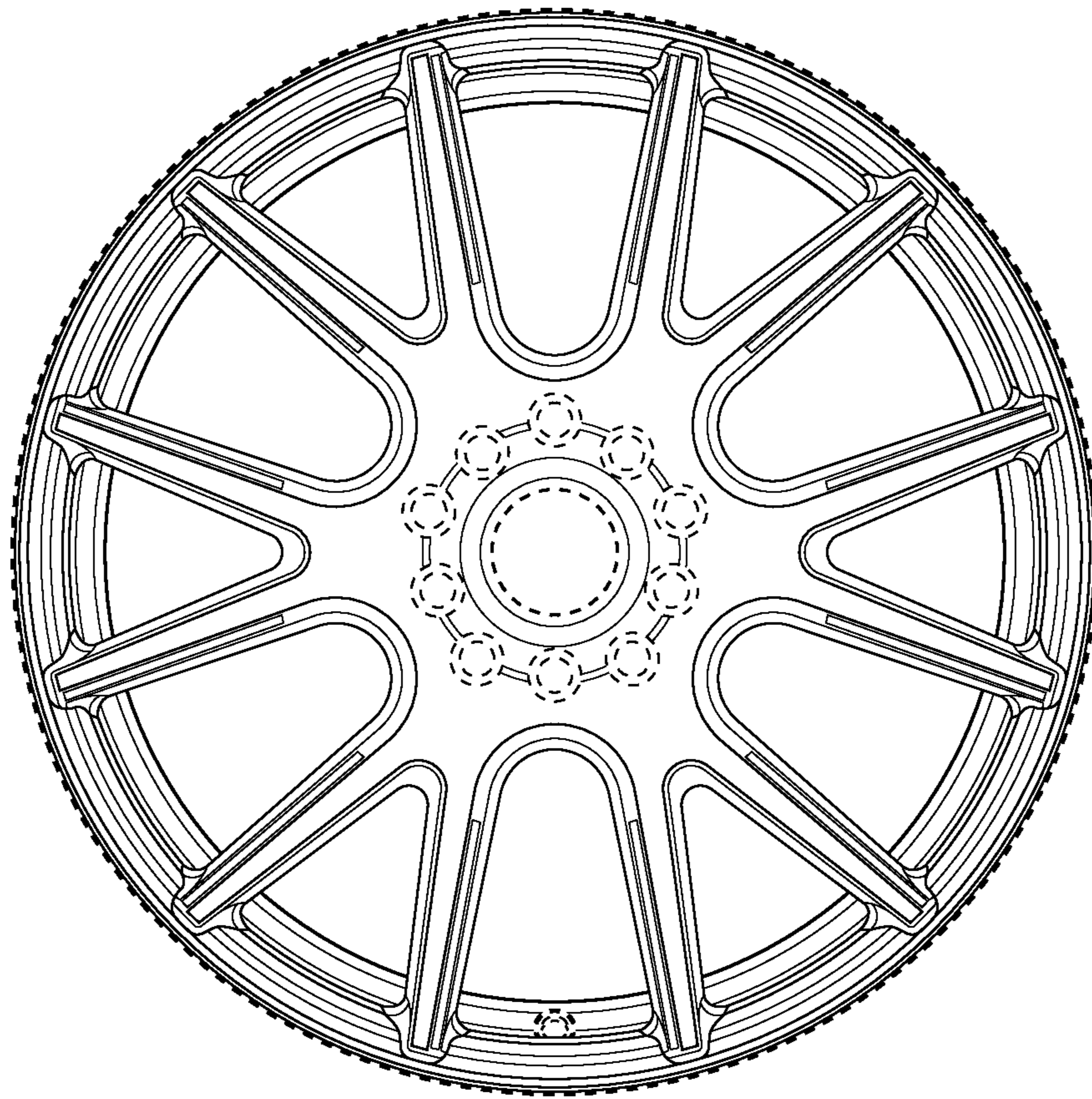


FIG. 1

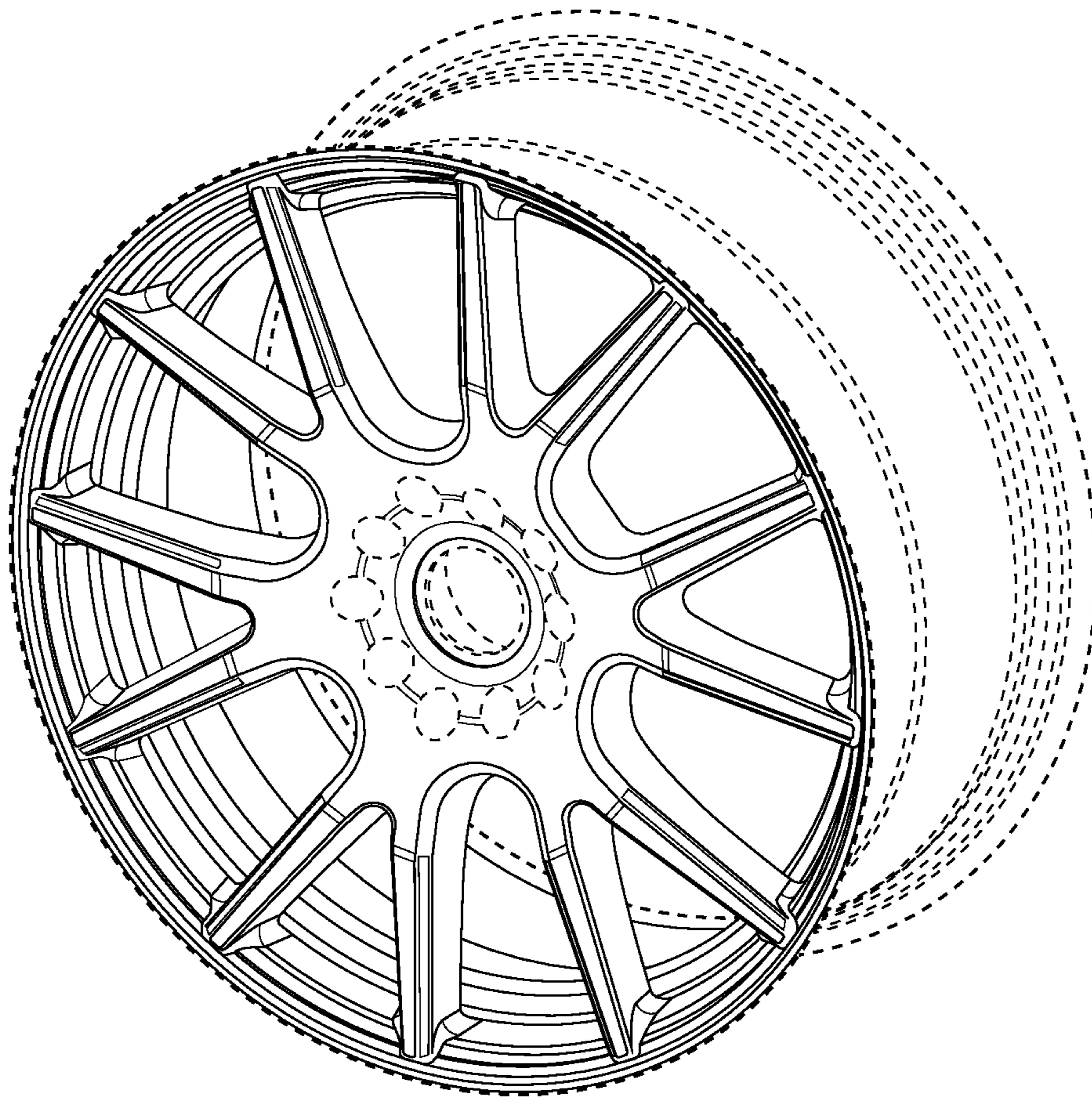


FIG. 2