



US00D941717S

(12) **United States Design Patent**  
**Forschner**

(10) **Patent No.:** **US D941,717 S**

(45) **Date of Patent:** **\*\* Jan. 25, 2022**

(54) **FRONT BUMPER FOR A VEHICLE**

(71) Applicant: **Bayerische Motoren Werke  
Aktiengesellschaft, Munich (DE)**

(72) Inventor: **Anne Kristina Forschner, Munich  
(DE)**

(73) Assignee: **Bayerische Motoren Werke  
Aktiengesellschaft, Munich (DE)**

(\*\*) Term: **15 Years**

(21) Appl. No.: **29/755,483**

(22) Filed: **Oct. 21, 2020**

(30) **Foreign Application Priority Data**

Apr. 29, 2020 (DE) ..... 402020100415.4

(51) **LOC (13) Cl.** ..... **12-16**

(52) **U.S. Cl.**  
USPC ..... **D12/169**

(58) **Field of Classification Search**  
USPC ..... D12/169, 163, 196, 86, 90-92;  
296/180.1, 180.2; 293/102, 113, 115,  
293/117, 120

CPC ..... B60R 2019/25; B62D 25/084  
See application file for complete search history.

(56) **References Cited**

**U.S. PATENT DOCUMENTS**

D467,206 S	12/2002	Warming	
D494,899 S	8/2004	Chapman	
D514,990 S	2/2006	Nagashima	
D546,737 S	7/2007	Hettler	
D669,402 S	* 10/2012	Elmitt	D12/169
D716,199 S	* 10/2014	Beermann	D12/169
D735,096 S	* 7/2015	Nissl	D12/169
D748,543 S	* 2/2016	Nissl	D12/169
D772,120 S	* 11/2016	Luk	D12/169

D772,122 S	*	11/2016	Zurian	D12/169
D787,377 S	*	5/2017	Al Attar	D12/92
D787,990 S	*	5/2017	Kozub	D12/169
D803,100 S	*	11/2017	Forschner	D12/92

(Continued)

**FOREIGN PATENT DOCUMENTS**

EM	002840884-0001	8/2016
EM	004521342-0001	1/2020

(Continued)

*Primary Examiner* — Melody N Brown

(74) *Attorney, Agent, or Firm* — Crowell & Moring LLP

(57) **CLAIM**

The ornamental design for a front bumper for a vehicle, as shown and described.

**DESCRIPTION**

This application contains subject matter related to the following co-pending U.S. design patent applications: Application Ser. No. 29/725,347, filed Feb. 25, 2020 and entitled "Front Bumper for a Vehicle"; Application Ser. No. 29/725,356, filed Feb. 25, 2020 and entitled "Front Bumper for a Vehicle"; Application Ser. No. 29/755,479, filed herewith and entitled "Vehicle, Toy, and/or Replicas Thereof"; Application Ser. No. 29/755,480, filed herewith and entitled "Vehicle, Toy, and/or Replicas Thereof"; and Application Ser. No. 29/755,481, filed herewith and entitled "Vehicle, Toy, and/or Replicas Thereof".

FIG. 1 is a front view of a front bumper for a vehicle according to the design;

FIG. 2 is a right, front perspective view thereof;

FIG. 3 is a left, bottom perspective view thereof;

FIG. 4 is a right side view thereof;

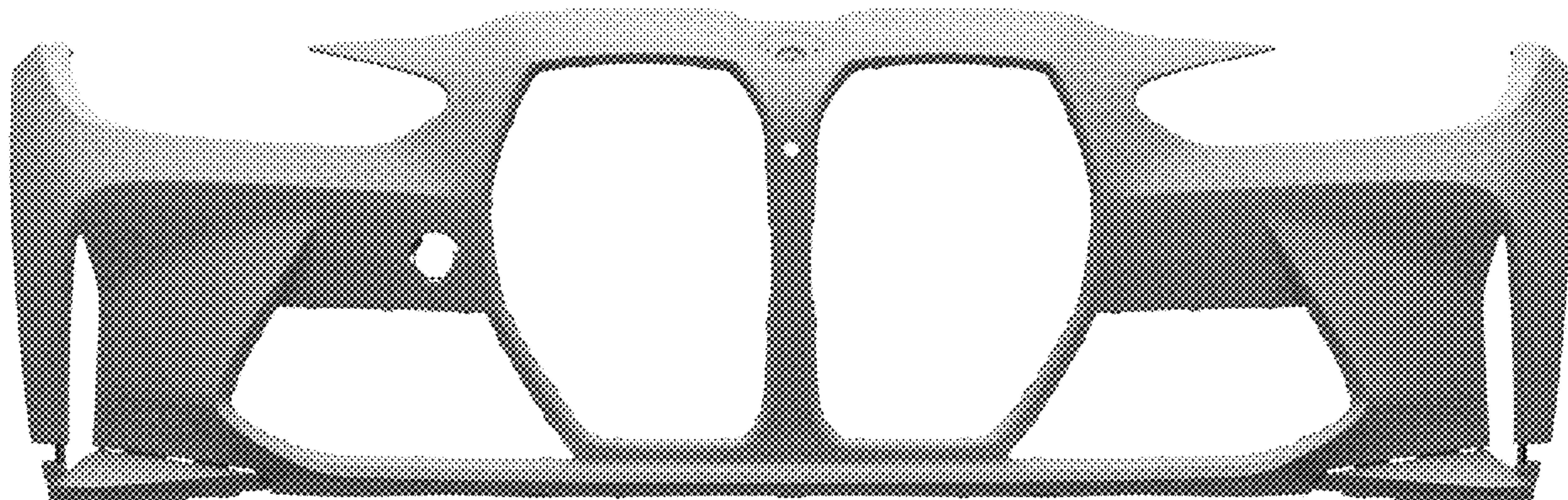
FIG. 5 is a left side view thereof;

FIG. 6 is a top view thereof;

FIG. 7 is a bottom view thereof; and,

FIG. 8 is a rear view thereof.

**1 Claim, 8 Drawing Sheets**



(56)

**References Cited**

U.S. PATENT DOCUMENTS

D803,112	S	*	11/2017	Tomita	.....	D12/169
D825,412	S	*	8/2018	Luk	.....	D12/169
D835,546	S		12/2018	Sarremejean et al.		
D836,031	S		12/2018	Lim		
D840,296	S		2/2019	Buckingham		
D845,192	S	*	4/2019	Sarremejean	.....	D12/169
D852,691	S	*	7/2019	Tovey	.....	D12/169
D855,510	S	*	8/2019	Nissl	.....	D12/169
D873,727	S		1/2020	Schneider		
D875,624	S	*	2/2020	Tanghe	.....	D12/169
D885,266	S	*	5/2020	Kezha	.....	D12/169
D885,267	S	*	5/2020	Tanghe	.....	D12/169
D890,649	S	*	7/2020	Kang	.....	D12/169
D890,650	S	*	7/2020	Kang	.....	D12/169
D890,652	S	*	7/2020	Al Attar	.....	D12/169
D890,653	S	*	7/2020	Sarremejean	.....	D12/169
D891,323	S	*	7/2020	Peplowski	.....	D12/169
D902,094	S	*	11/2020	Peplowski	.....	D12/169
D902,095	S	*	11/2020	Wietzychowski	.....	D12/169
D902,804	S	*	11/2020	Guille	.....	D12/169
D911,229	S	*	2/2021	Wietzychowski	.....	D12/169
D923,536	S	*	6/2021	Lim	.....	D12/169
D923,537	S	*	6/2021	Forschner	.....	D12/169

FOREIGN PATENT DOCUMENTS

EM	004705671-0001	2/2020
WO	WO DM/060154	7/2002
WO	WO DM/064917	3/2004
WO	WO DM/065775	11/2004
WO	WO DM/067152	12/2005
WO	WO DM/098427	5/2018
WO	WO DM/099883	8/2018
WO	WO DM/207240	8/2020

\* cited by examiner

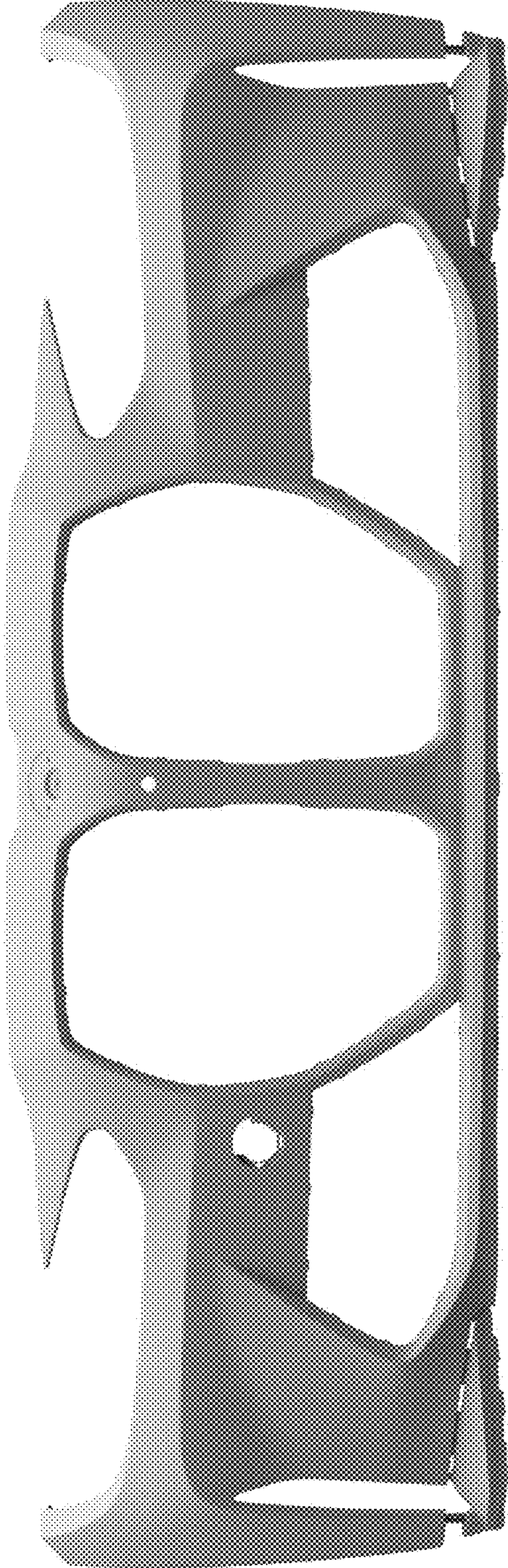


Fig. 1

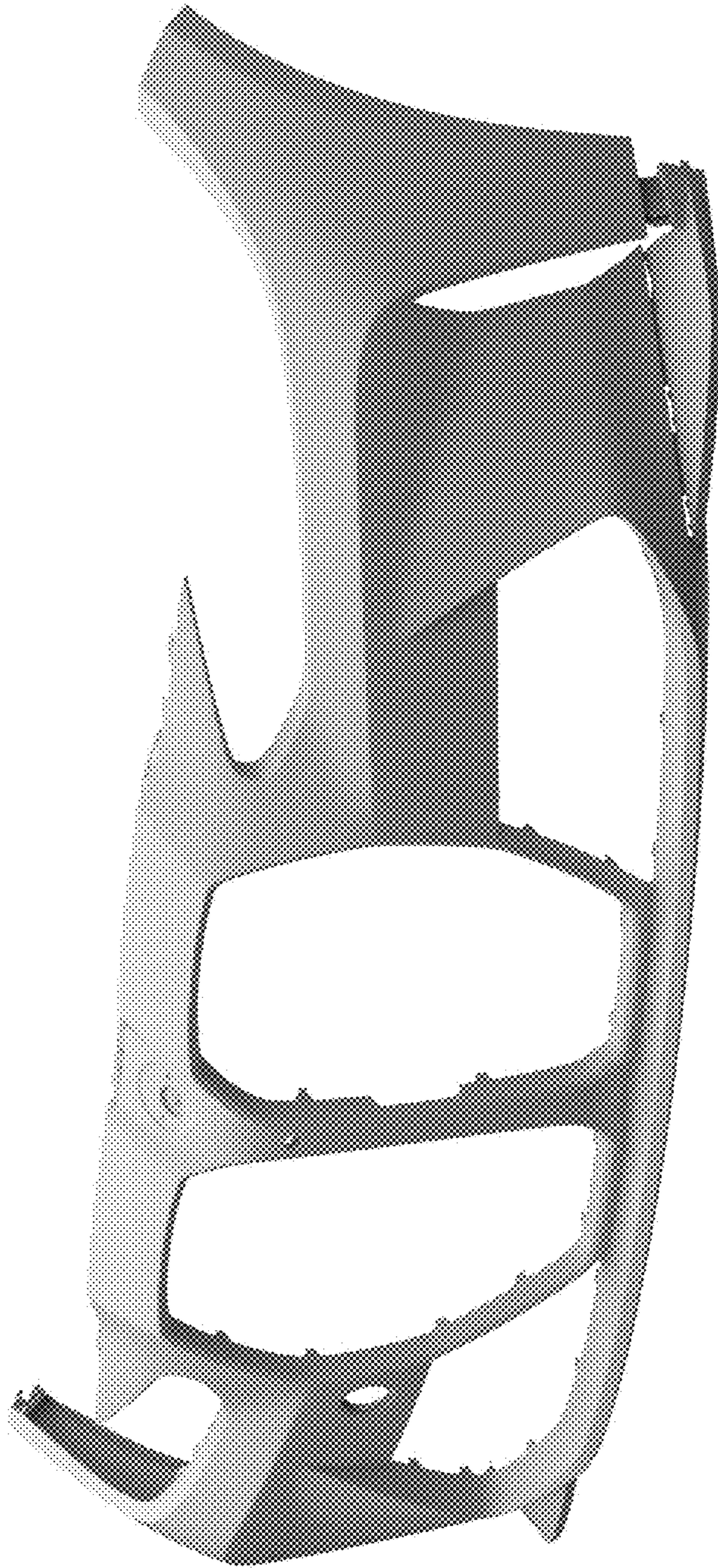


Fig. 2

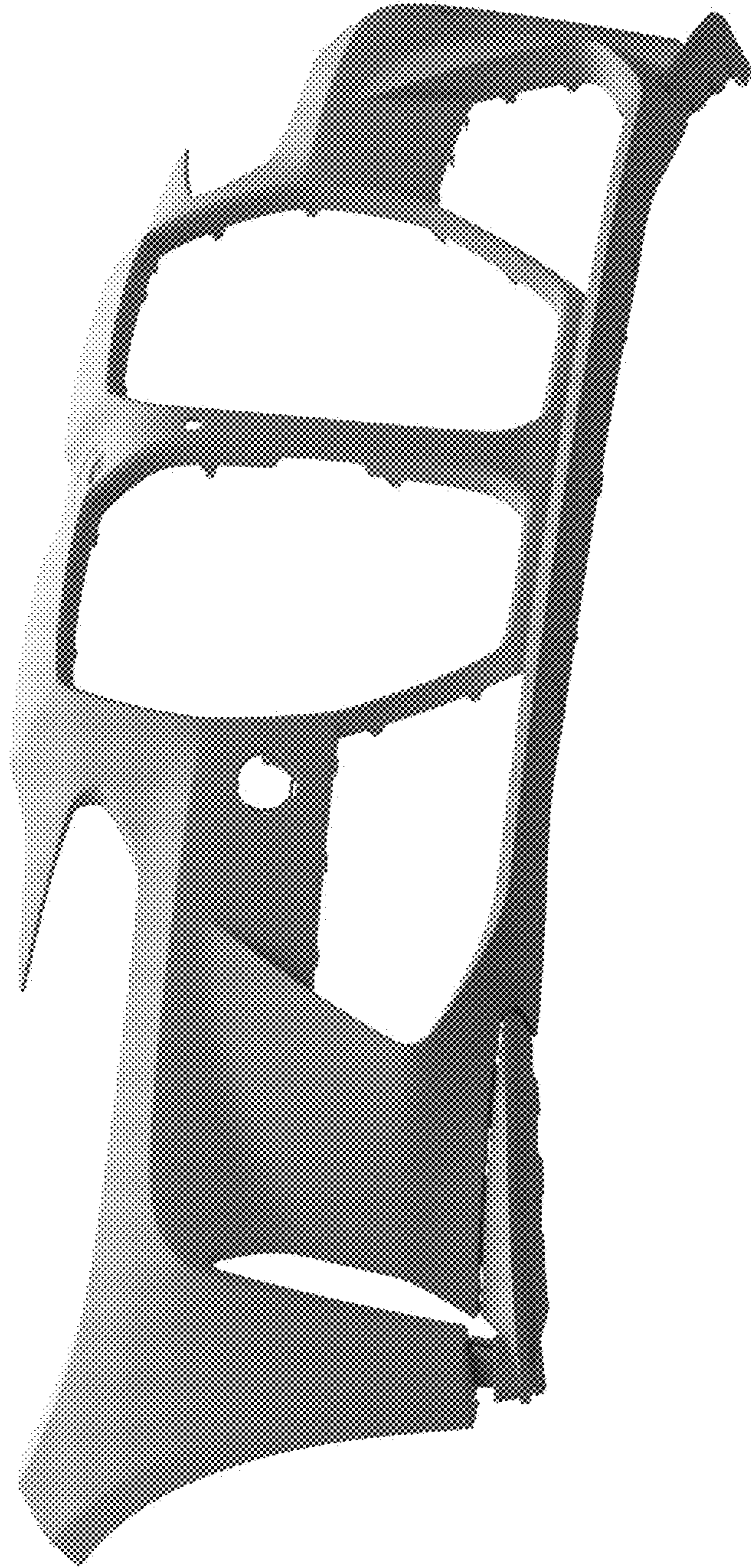


Fig. 3

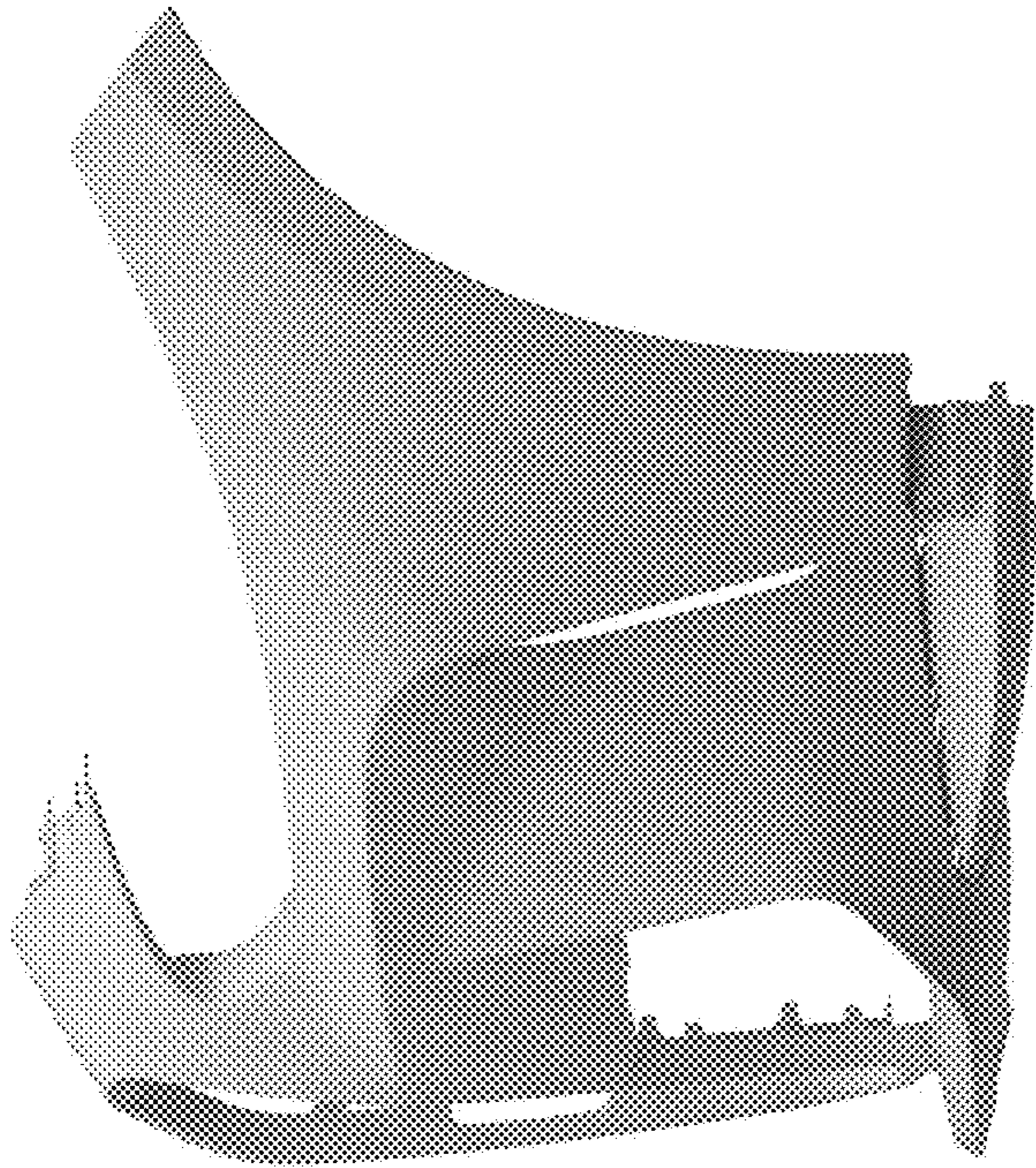


Fig. 4

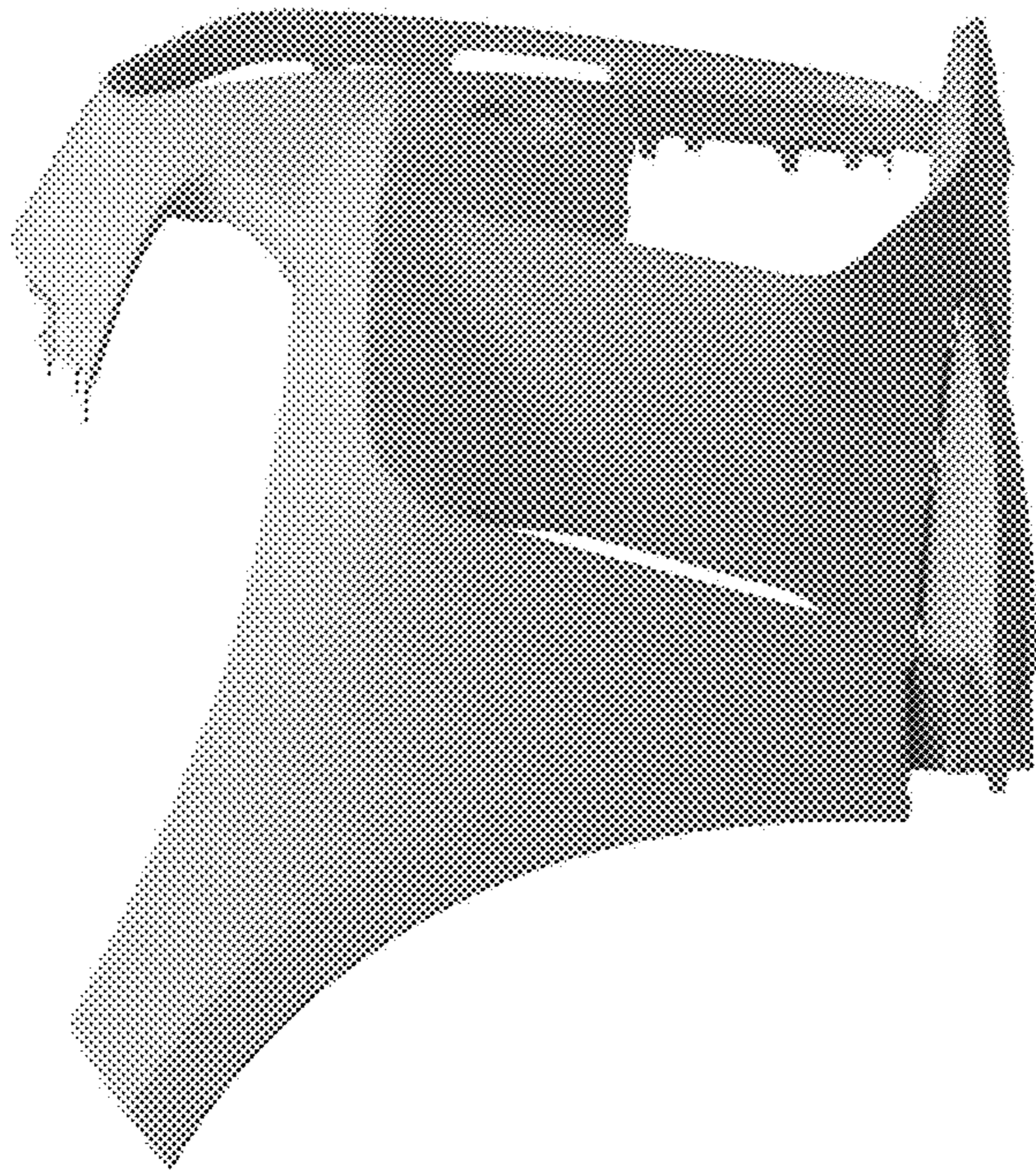


Fig. 5

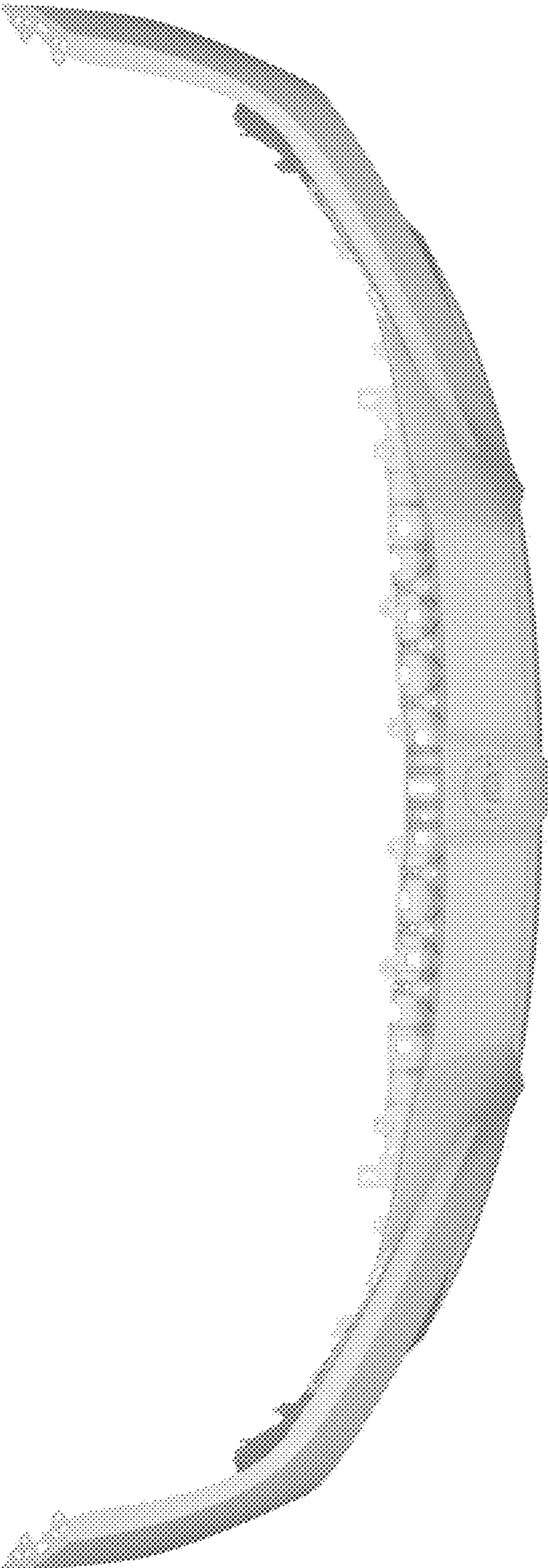


Fig. 6



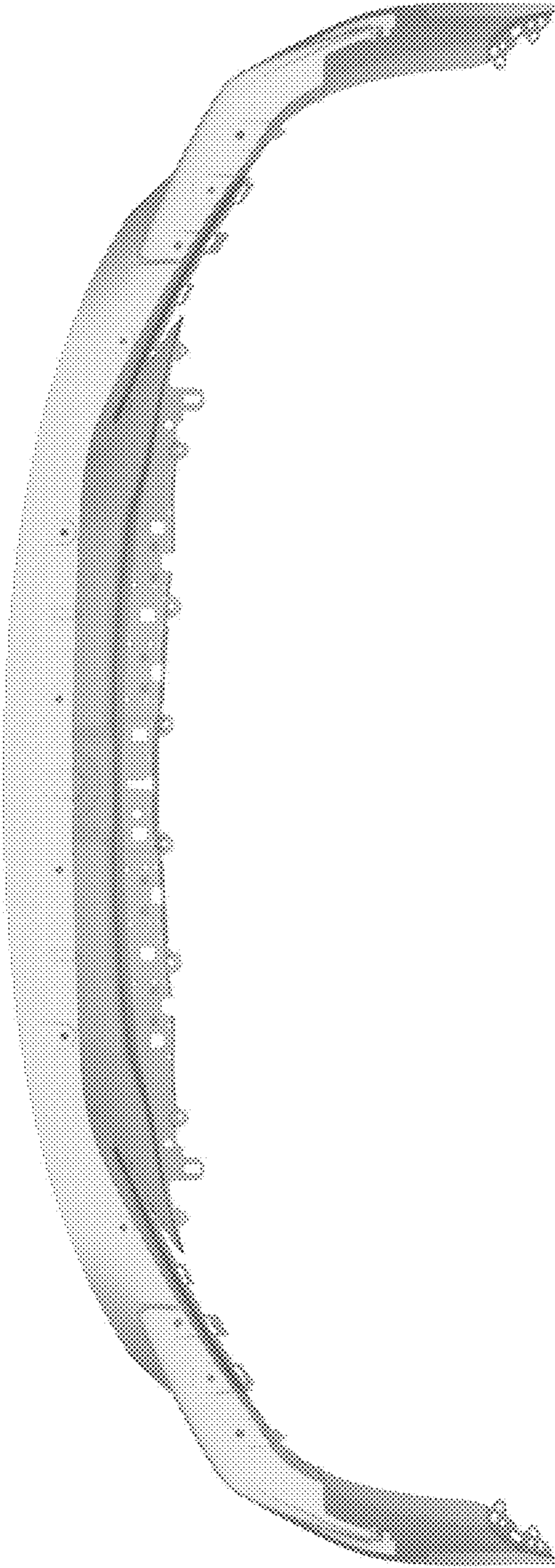


Fig. 7

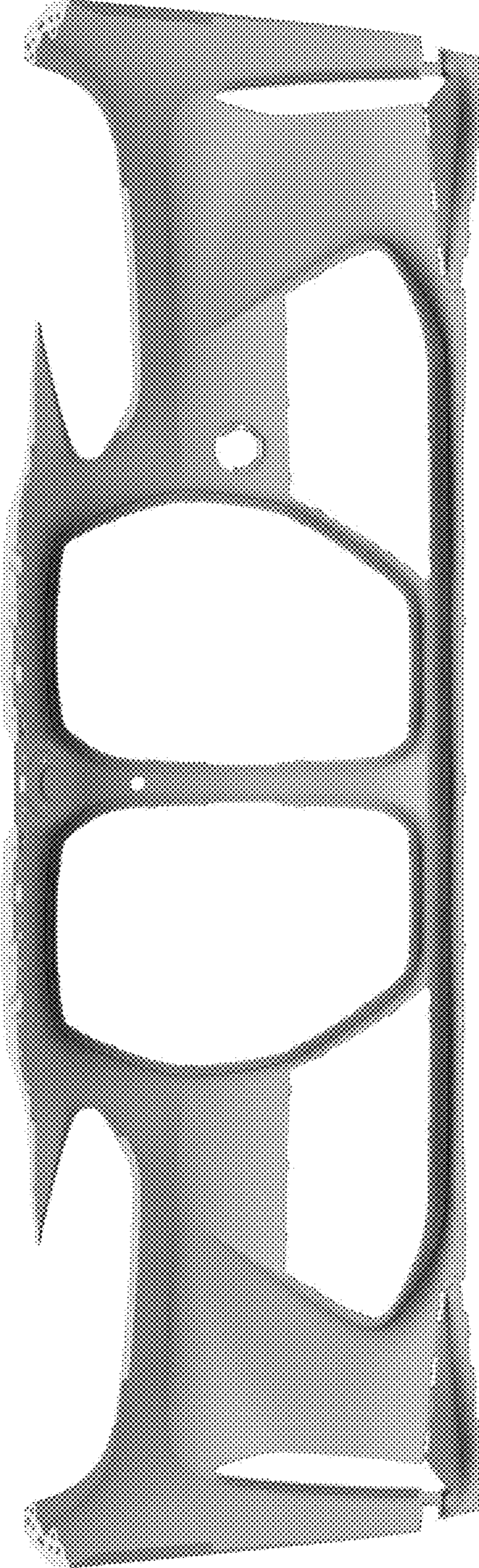


Fig. 8