



US00D941716S

(12) **United States Design Patent** (10) **Patent No.:** **US D941,716 S**
Kim et al. (45) **Date of Patent:** **** Jan. 25, 2022**

(54) **VEHICLE REAR LOWER BUMPER COVER**

(56) **References Cited**

(71) Applicant: **Ford Global Technologies, LLC**,
Dearborn, MI (US)
(72) Inventors: **Sooyoung Kim**, Northville, MI (US);
Thomas Marminc, Ferndale, MI (US);
Damon G. Depeyster, Northville, MI
(US); **Gordon M. Platto**, Troy, MI
(US)

U.S. PATENT DOCUMENTS

D192,684 S * 5/1962 Knowles D12/185
D537,390 S * 2/2007 Golden D12/169
D540,226 S * 4/2007 Levy D12/169
D542,195 S * 5/2007 Golden D12/169
D543,137 S * 5/2007 Levy D12/169
D607,383 S * 1/2010 Krauss D12/181
D610,056 S * 2/2010 Ishibashi D12/169

(Continued)

(73) Assignee: **Ford Global Technologies, LLC**,
Dearborn, MI (US)

FOREIGN PATENT DOCUMENTS

(**) Term: **15 Years**

CN 110466465 A * 11/2019

(21) Appl. No.: **29/728,253**

OTHER PUBLICATIONS

(22) Filed: **Mar. 17, 2020**

2021 Ford Explorer, Published Apr. 8, 2021 [online], [retrieved on Aug. 20, 2021]. Retrieved from the Internet: <https://www.autotrader.com/car-reviews/2021-ford-explorer-review> (Year: 2021).*

Related U.S. Application Data

(62) Division of application No. 29/650,710, filed on Jun. 8, 2018, now Pat. No. Des. 878,256.

Primary Examiner — Christian P. McLean

Assistant Examiner — Adam C Mager

(51) **LOC (13) Cl.** **12-16**

(52) **U.S. Cl.**
USPC **D12/169**

(57) **CLAIM**

(58) **Field of Classification Search**

USPC D12/82, 85, 86, 88, 89, 90, 91, 92, 93,
D12/96, 98, 99, 101, 102, 106, 163, 164,
D12/165, 166, 167, 169, 170, 171, 172,
D12/173, 181, 184, 185, 190, 192, 196,
D12/216, 223, 400; D21/533, 548, 552,
D21/561
CPC B60R 19/00; B60R 19/02; B60R 19/04;
B60R 19/16; B60R 19/18; B60R 19/24;
B60R 19/26; B60R 19/44; B60R 19/48;
B60R 19/52; B60R 19/56; B60R
2019/007; B60R 2019/522; B60R
2019/525; B60R 2019/527; B60R
2019/1886; B62D 25/02; B62D 25/08;
B62D 25/16; B60K 11/08; B60K 11/085

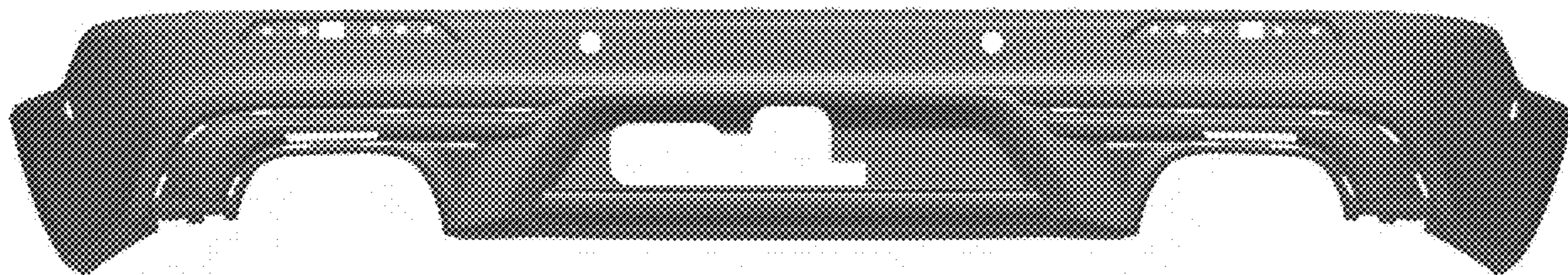
The ornamental design for a vehicle rear lower bumper cover, as shown and described.

DESCRIPTION

FIG. 1 is a front elevational view of a vehicle rear lower bumper cover, showing our new design;
FIG. 2 is a left side elevational view thereof;
FIG. 3 is a right side elevational view thereof;
FIG. 4 is a top plan view thereof;
FIG. 5 is a bottom plan view thereof;
FIG. 6 is a bottom, front and left side perspective view thereof; and,
FIG. 7 is a top, front and left side perspective view thereof.

See application file for complete search history.

1 Claim, 7 Drawing Sheets



(56)

References Cited

U.S. PATENT DOCUMENTS

D610,503 S * 2/2010 Bucher D12/169
 D663,660 S * 7/2012 Platto D12/169
 D671,050 S * 11/2012 Davidson D12/169
 D671,051 S * 11/2012 Davidson D12/169
 D678,146 S * 3/2013 Behmer D12/169
 D746,736 S * 1/2016 Wolff D12/169
 D746,738 S * 1/2016 Wolff D12/169
 D751,008 S * 3/2016 Behmer D12/169
 D751,010 S * 3/2016 Behmer D12/169
 D763,744 S * 8/2016 Behmer D12/169
 D776,021 S * 1/2017 Kapitonov D12/169
 D793,294 S * 8/2017 Lee D12/169
 D793,299 S * 8/2017 Krieg D12/169
 D793,300 S * 8/2017 Krieg D12/169
 D797,616 S * 9/2017 Lee D12/169
 D811,963 S * 3/2018 Sullivan D12/169
 D813,741 S * 3/2018 Perkins D12/169
 D813,742 S * 3/2018 McMahan D12/169
 D813,743 S * 3/2018 Lee D12/169
 D813,744 S * 3/2018 Whitla D12/169
 D813,745 S * 3/2018 Behmer D12/169
 D813,756 S * 3/2018 Loeb D12/169
 D816,563 S * 5/2018 McMahan D12/169
 D819,524 S * 6/2018 Behmer D12/169
 D822,551 S * 7/2018 McMahan D12/169
 D822,554 S * 7/2018 Platto D12/169
 D822,555 S * 7/2018 Platto D12/169
 D822,556 S * 7/2018 Platto D12/169
 D824,304 S * 7/2018 Akrapovic D12/181
 D826,802 S * 8/2018 Platto D12/169
 D832,157 S * 10/2018 Svensson D12/169
 D838,636 S * 1/2019 Behmer D12/169
 D845,195 S * 4/2019 Buttigieg D12/169
 D849,629 S * 5/2019 De Leon D12/196

D849,630 S * 5/2019 De Leon D12/196
 D851,558 S * 6/2019 Thurber D12/169
 D851,559 S * 6/2019 Thurber D12/169
 D853,906 S * 7/2019 Betancourt D12/169
 D855,507 S * 8/2019 Blanski D12/169
 D856,206 S * 8/2019 De Leon D12/169
 D858,377 S * 9/2019 Riggs D12/169
 D859,237 S * 9/2019 Koo D12/169
 D868,649 S * 12/2019 Woodhouse D12/169
 D870,002 S * 12/2019 Bucher D12/169
 D874,994 S * 2/2020 Kim D12/169
 D874,995 S * 2/2020 Kim D12/169
 D875,623 S * 2/2020 Kim D12/169
 D877,006 S * 3/2020 Luke D12/169
 D878,256 S * 3/2020 Kim D12/169
 D882,469 S * 4/2020 Lu D12/169
 D883,153 S * 5/2020 Metros D12/169
 D883,873 S * 5/2020 Woodhouse D12/169
 D887,919 S * 6/2020 Metros D12/169
 D891,326 S * 7/2020 Bucher D12/169
 D899,325 S * 10/2020 Metros D12/169
 D903,546 S * 12/2020 Kim D12/169
 D903,547 S * 12/2020 Kim D12/169
 D903,548 S * 12/2020 Kim D12/169
 D903,549 S * 12/2020 Kim D12/169
 D903,550 S * 12/2020 Kim D12/169
 D903,551 S * 12/2020 Kim D12/169
 D903,552 S * 12/2020 Kim D12/169
 D904,250 S * 12/2020 Wheel D12/169
 D909,251 S * 2/2021 Park D12/91
 D909,252 S * 2/2021 Park D12/91
 D918,796 S * 5/2021 Ruiz D12/169
 D918,798 S * 5/2021 Woodhouse D12/169
 D919,501 S * 5/2021 Gay D12/169
 D924,746 S * 7/2021 Smith D12/169
 2011/0057462 A1 * 3/2011 Wuertemberger B60R 19/18
 293/151

* cited by examiner

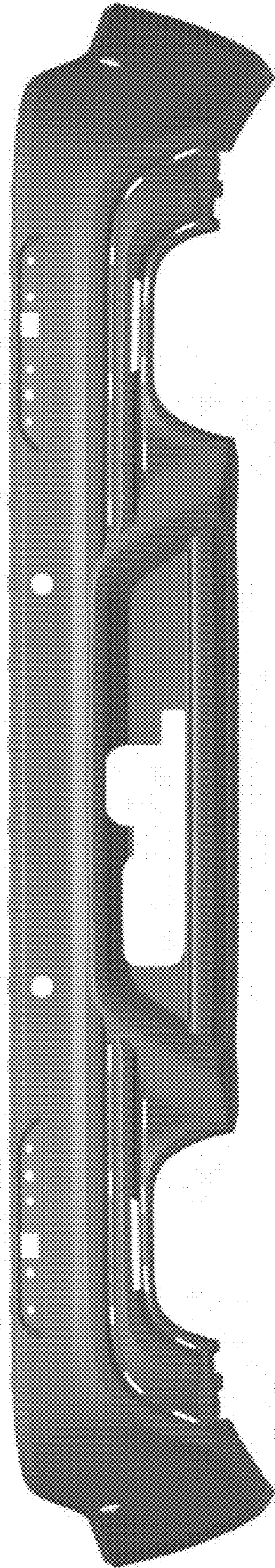


Fig. 1

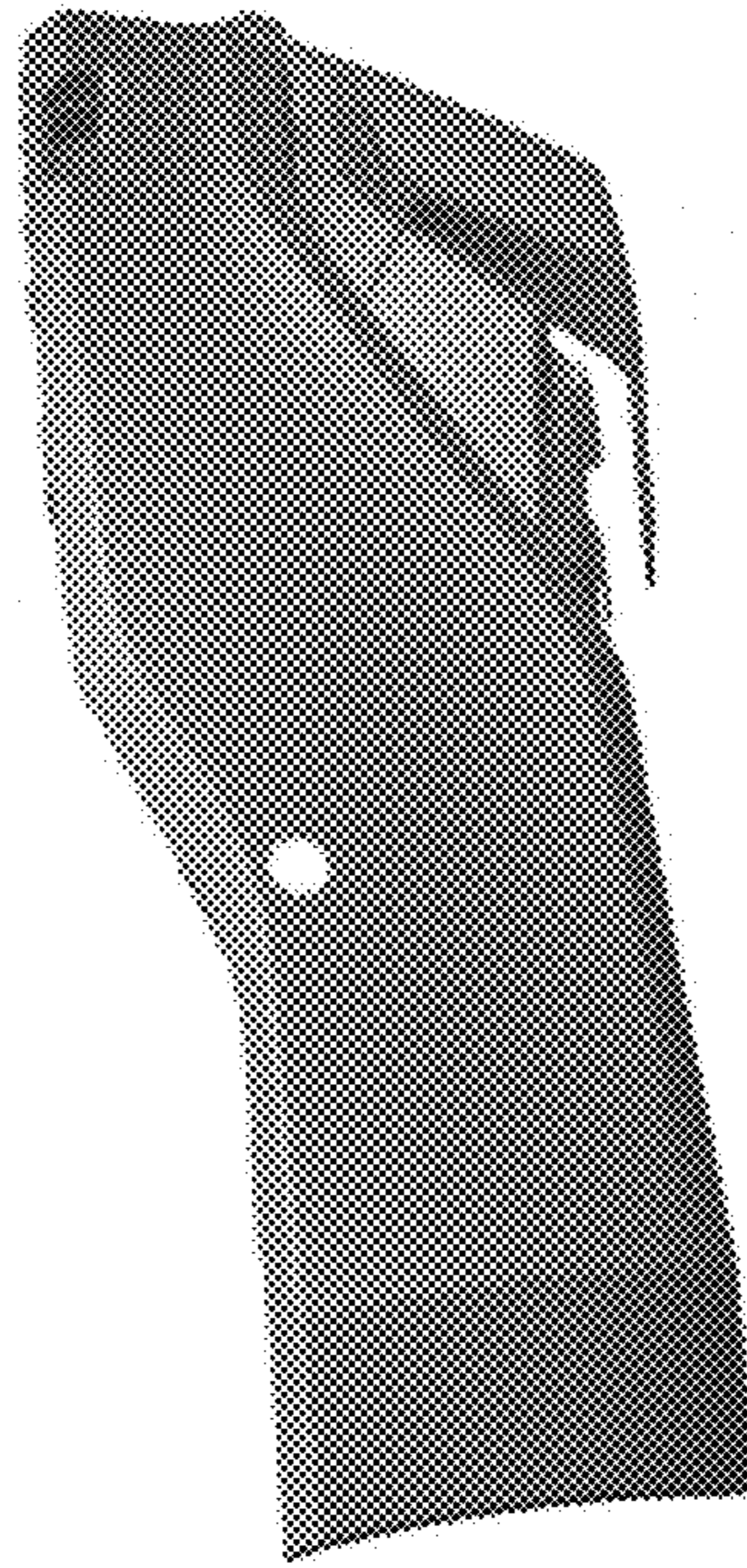


Fig. 2

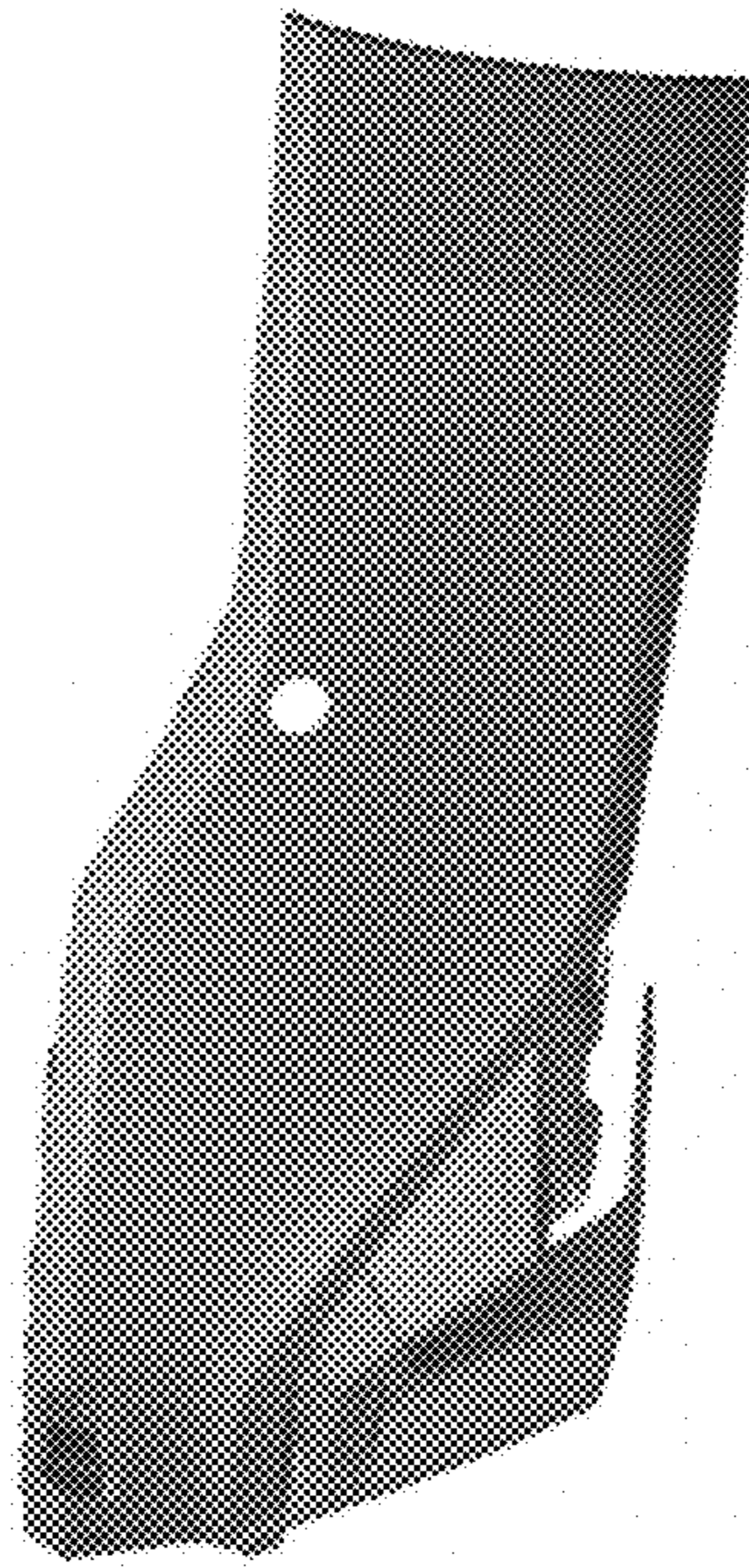


Fig. 3

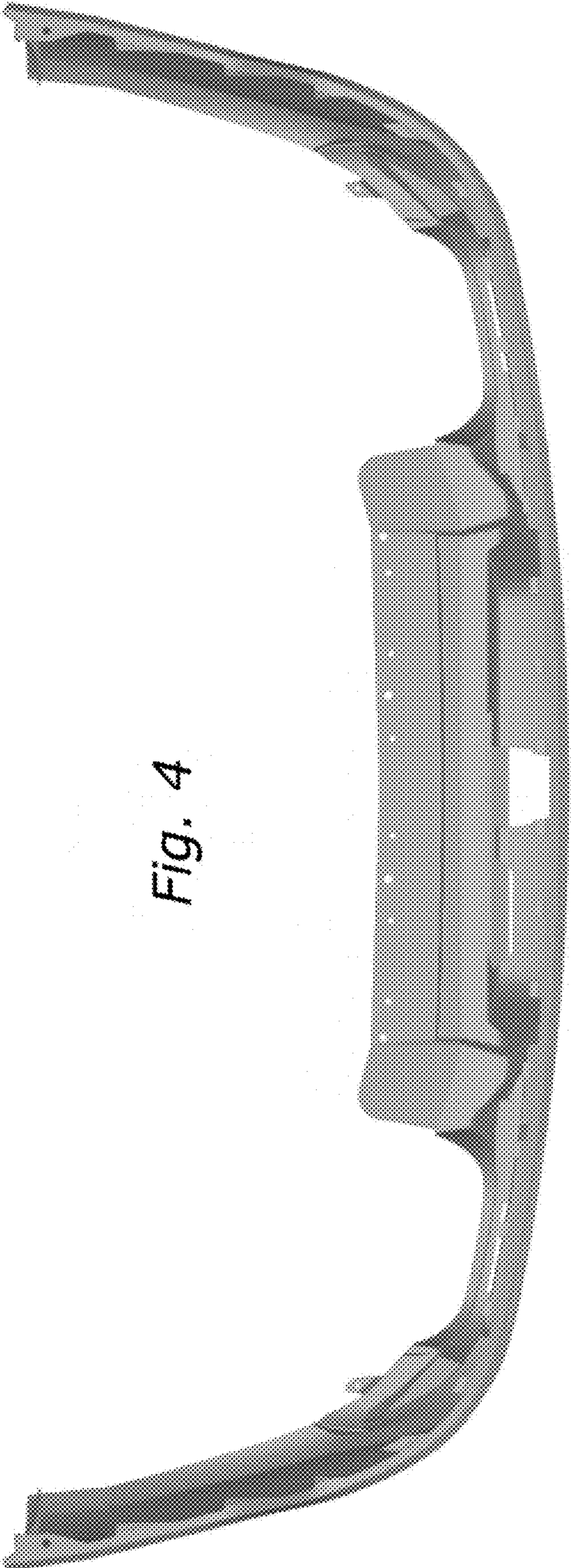


Fig. 4

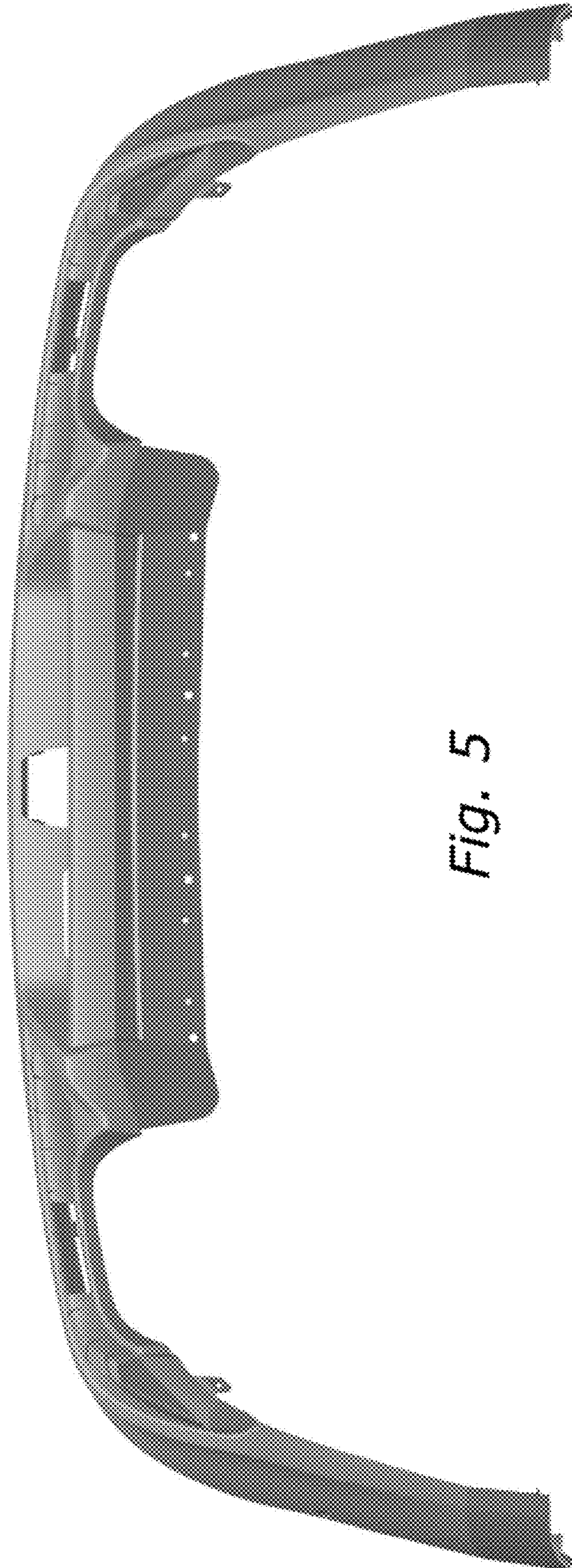


Fig. 5

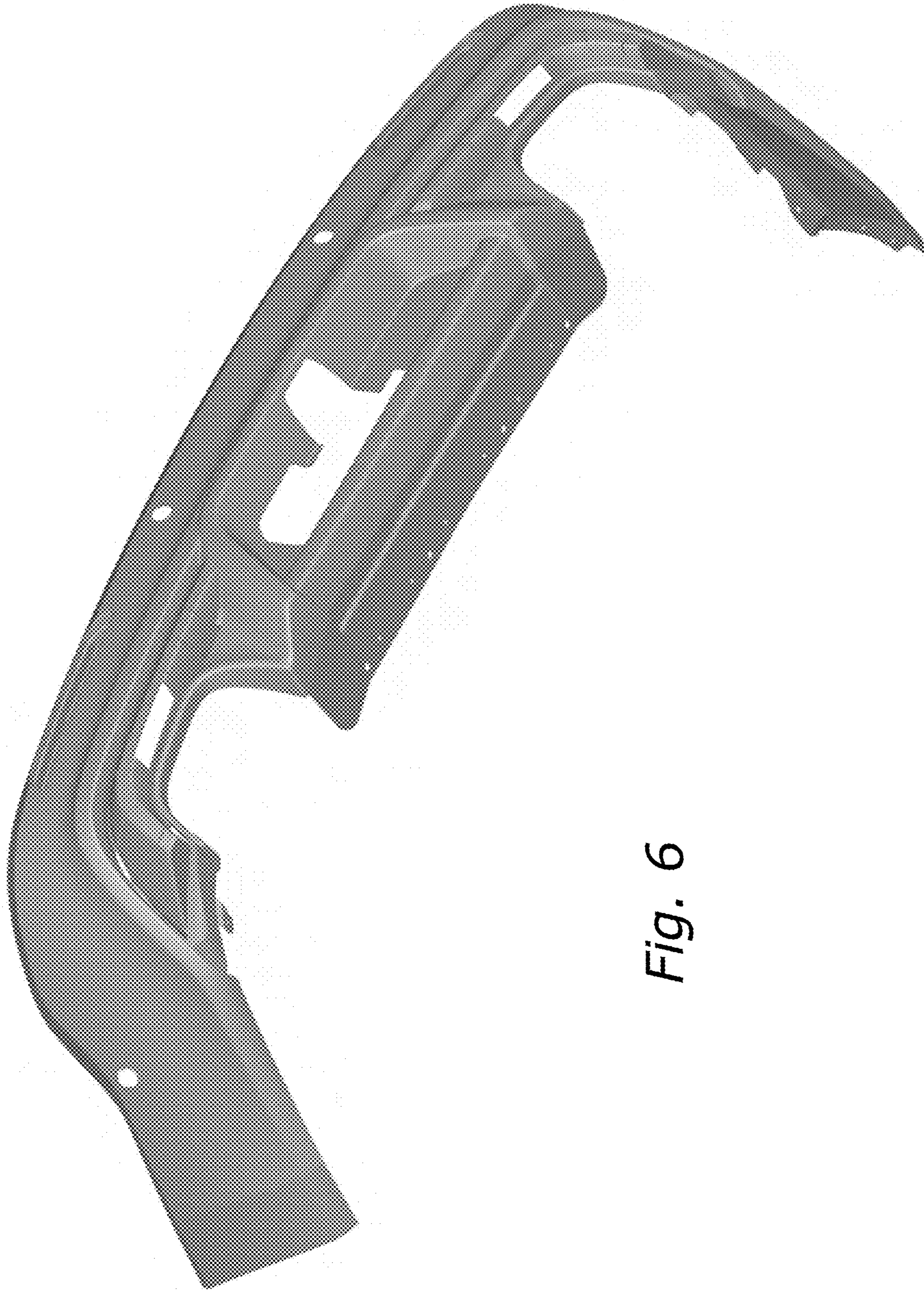


Fig. 6

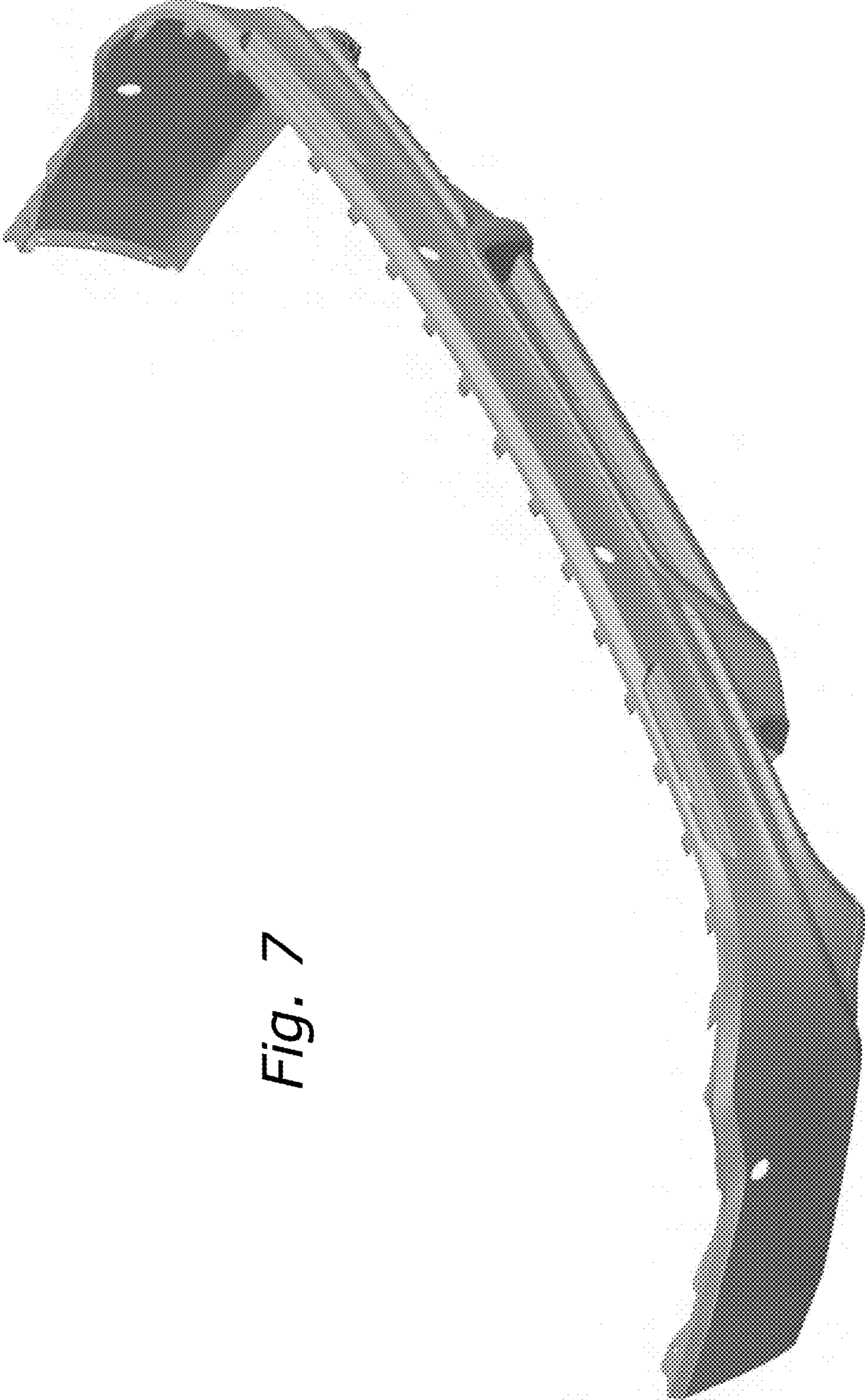


Fig. 7