

US00D941714S

(12) **United States Design Patent**  
**Huet**

(10) **Patent No.:** **US D941,714 S**  
(45) **Date of Patent:** **\*\* Jan. 25, 2022**

(54) **FRONT PORTION OF A MOTOR VEHICLE,  
TOY REPLICA, AND/OR OTHER REPLICA**

(71) Applicant: **Daimler AG**, Stuttgart (DE)

(72) Inventor: **Jean-Francois Huet**, Grasse (FR)

(73) Assignee: **Daimler AG**, Stuttgart (DE)

(\*\*) Term: **15 Years**

(21) Appl. No.: **29/744,590**

(22) Filed: **Jul. 30, 2020**

(30) **Foreign Application Priority Data**

Jan. 31, 2020 (DE) ..... 402020200456.5

(51) **LOC (13) Cl.** ..... **12-16**

(52) **U.S. Cl.**  
USPC ..... **D12/164**

(58) **Field of Classification Search**  
USPC .... D12/86, 90-92, 164; D21/424, 433, 434,  
D21/533; 296/181.1-181.5  
CPC ..... B62D 25/00; B62D 25/06; B62D 33/00;  
B62D 35/00  
See application file for complete search history.

(56) **References Cited**

**U.S. PATENT DOCUMENTS**

D813,726 S \* 3/2018 Tanghe ..... D12/91  
D813,727 S \* 3/2018 Beermann ..... D12/92  
D821,919 S \* 7/2018 Simm ..... D12/91  
D825,383 S \* 8/2018 Luk ..... D12/91

D825,390 S \* 8/2018 Al Attar ..... D12/92  
D826,783 S \* 8/2018 Badstuebner ..... D12/92  
D827,497 S \* 9/2018 Frei ..... D12/91  
D827,514 S \* 9/2018 Badstuebner ..... D12/164  
D828,244 S \* 9/2018 Frei ..... D12/164  
D831,540 S \* 10/2018 Buckingham ..... D12/92  
D837,692 S \* 1/2019 Badstuebner ..... D12/91  
D860,880 S \* 9/2019 Huet ..... D12/164  
D862,287 S \* 10/2019 Badstuebner ..... D12/91  
D873,715 S \* 1/2020 Badstuebner ..... D12/91  
D873,716 S \* 1/2020 Badstuebner ..... D12/91  
D886,679 S \* 6/2020 Hellwig ..... D12/91  
D888,623 S \* 6/2020 Vidojkovic ..... D12/164  
D888,624 S \* 6/2020 Badstuebner ..... D12/164  
D898,622 S \* 10/2020 Wittinger ..... D12/92  
D902,796 S \* 11/2020 Badstuebner ..... D12/164  
D929,900 S \* 9/2021 Badstuebner ..... D12/91

\* cited by examiner

*Primary Examiner* — Melody N Brown

(74) *Attorney, Agent, or Firm* — Crowell & Moring LLP

(57) **CLAIM**

The ornamental design for a front portion of a motor vehicle, toy replica and/or other replica, as shown and described.

**DESCRIPTION**

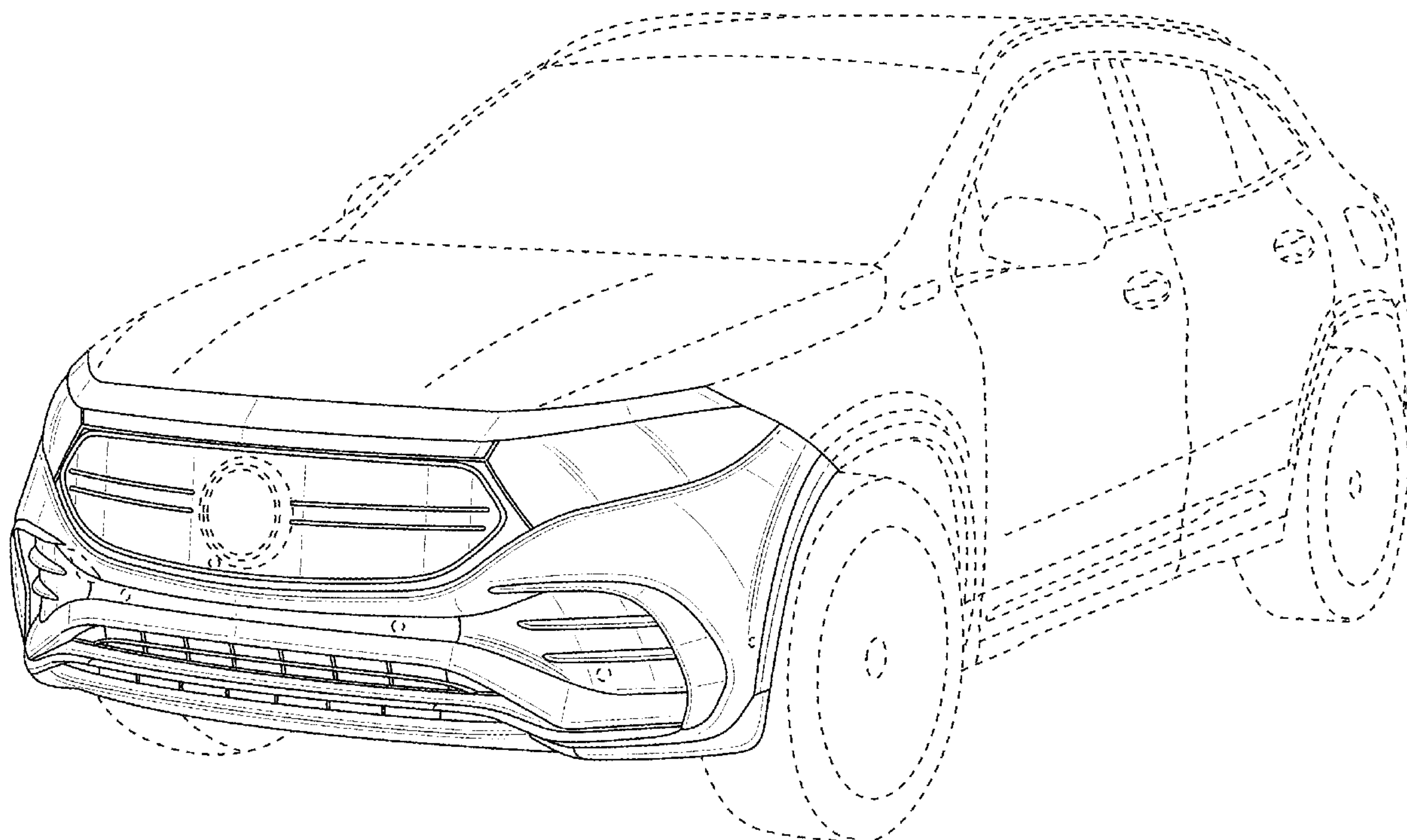
FIG. 1 is a right, front perspective view of a front portion of a motor vehicle, toy replica and/or other replica according to the design;

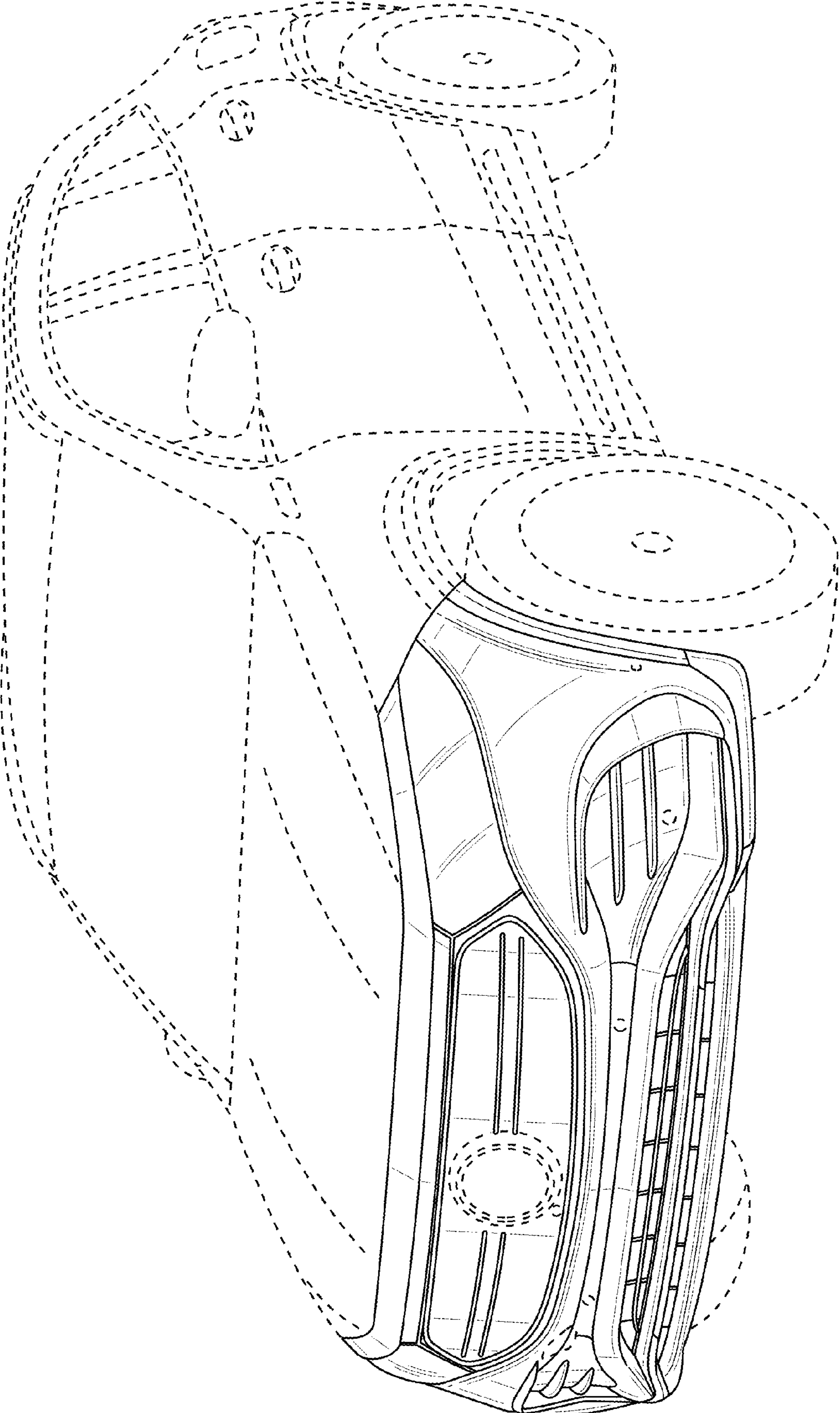
FIG. 2 is a front view thereof; and,

FIG. 3 is a right side view thereof.

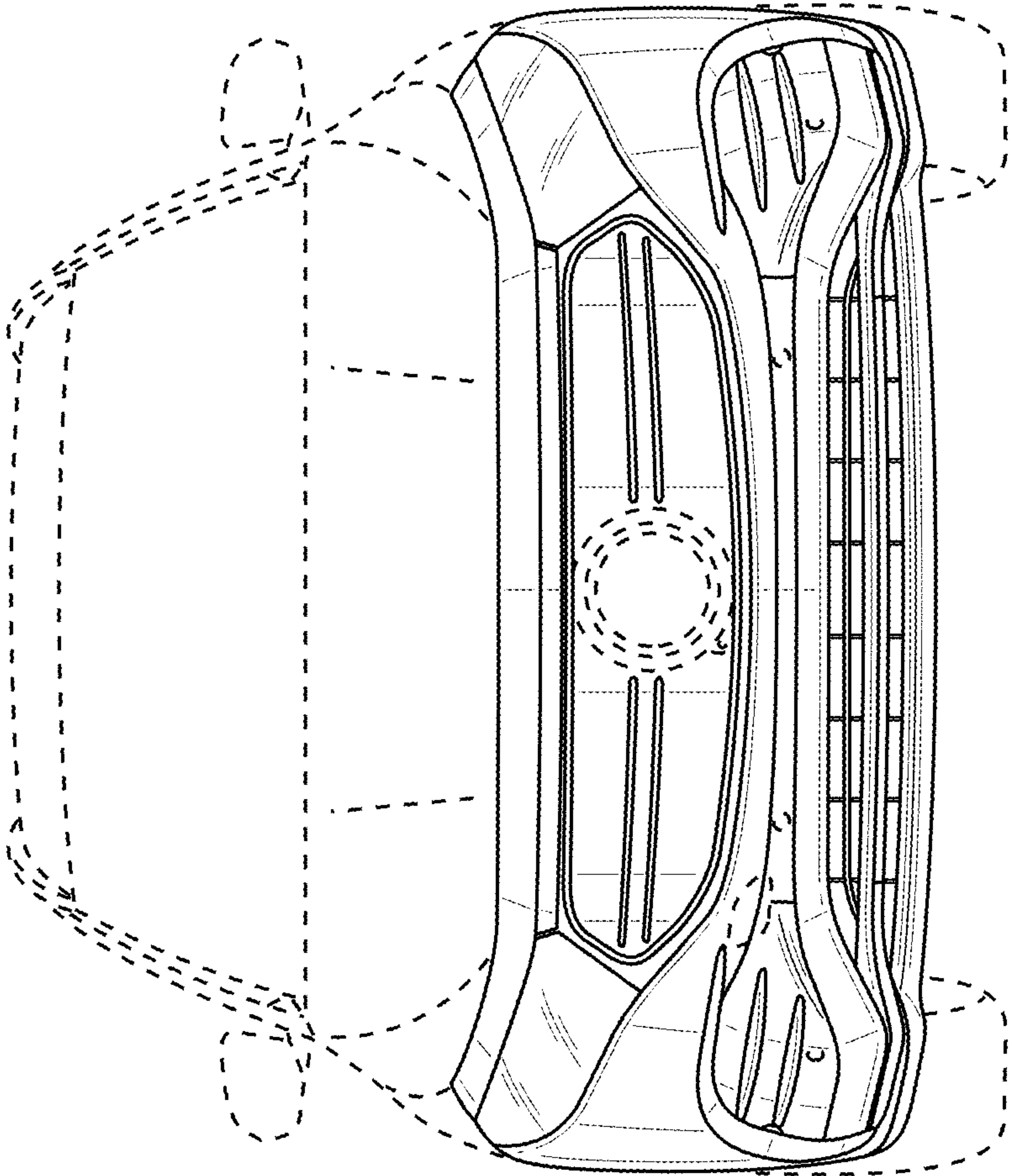
The broken lines in the drawings illustrate environmental subject matter only and form no part of the claimed design.

**1 Claim, 3 Drawing Sheets**



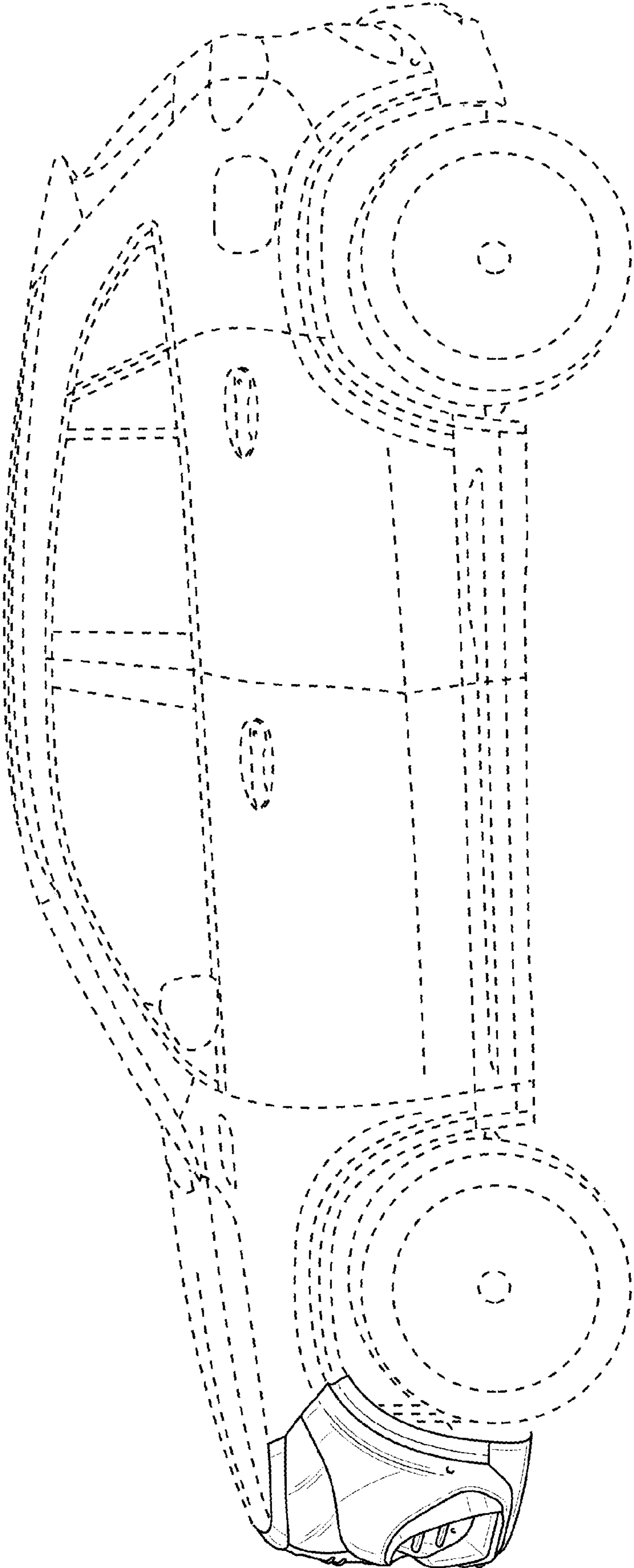


**FIG. 1**



**FIG. 2**





**FIG. 3**