



US00D941713S

(12) **United States Design Patent** (10) **Patent No.:** **US D941,713 S**  
**Siegel et al.** (45) **Date of Patent:** **\*\* Jan. 25, 2022**

- (54) **CLEVIS HITCH BALL MOUNT** 7,029,022 B2 \* 4/2006 Moss ..... B60D 1/06  
280/416.1
- (71) Applicant: **HORIZON GLOBAL AMERICAS** D526,602 S 8/2006 Sparkes  
**INC., Plymouth, MI (US)** D609,139 S 2/2010 Luckey  
D615,006 S 5/2010 Goodman et al.  
D841,526 S 2/2019 Siegel
- (72) Inventors: **Theodore J. Siegel**, Mayfield Heights, OH (US); **Eric Yukich**, Stow, OH (US);  
**Michael Maurer**, Euclid, OH (US);  
**Douglas Soulsby**, Stow, OH (US); **Alex Meyer**, Cleveland, OH (US) D856,199 S 8/2019 Siegel  
D857,563 S 8/2019 Siegel  
D862,308 S 10/2019 Siegel  
D909,922 S \* 2/2021 Siegel ..... D12/162  
2004/0084877 A1 \* 5/2004 Smith ..... B60D 1/46  
280/490.1
- (73) Assignee: **HORIZON GLOBAL AMERICAS** 2005/0040623 A1 \* 2/2005 Krespach ..... B60D 1/52  
**INC., Plymouth, MI (US)** 280/511
- (\*\*) Term: **15 Years** 2008/0106065 A1 5/2008 Cutts  
2008/0252042 A1 10/2008 Sparkes  
2010/0207360 A1 8/2010 Columbia  
2012/0119467 A1 5/2012 Svihla  
2019/0070917 A1 3/2019 Nance
- (21) Appl. No.: **29/769,850**
- (22) Filed: **Feb. 8, 2021**

\* cited by examiner

*Primary Examiner* — Susan E Krakower  
*Assistant Examiner* — Jerry Shiuhan-Hua Hsu  
(74) *Attorney, Agent, or Firm* — McDonald Hopkins LLC

**Related U.S. Application Data**

- (62) Division of application No. 29/614,524, filed on Aug. 21, 2017, now Pat. No. Des. 909,922.
- (51) **LOC (13) Cl.** ..... **12-16**
- (52) **U.S. Cl.**  
USPC ..... **D12/162**
- (58) **Field of Classification Search**  
USPC ..... D12/400, 199, 159, 160, 161, 162  
CPC . B60D 1/00; B60D 1/02; B60D 1/145; B60D  
1/06; B60D 1/065; B60D 1/60; B60D  
1/58  
See application file for complete search history.

(57) **CLAIM**

The ornamental design for a clevis hitch ball mount, as shown and described.

**DESCRIPTION**

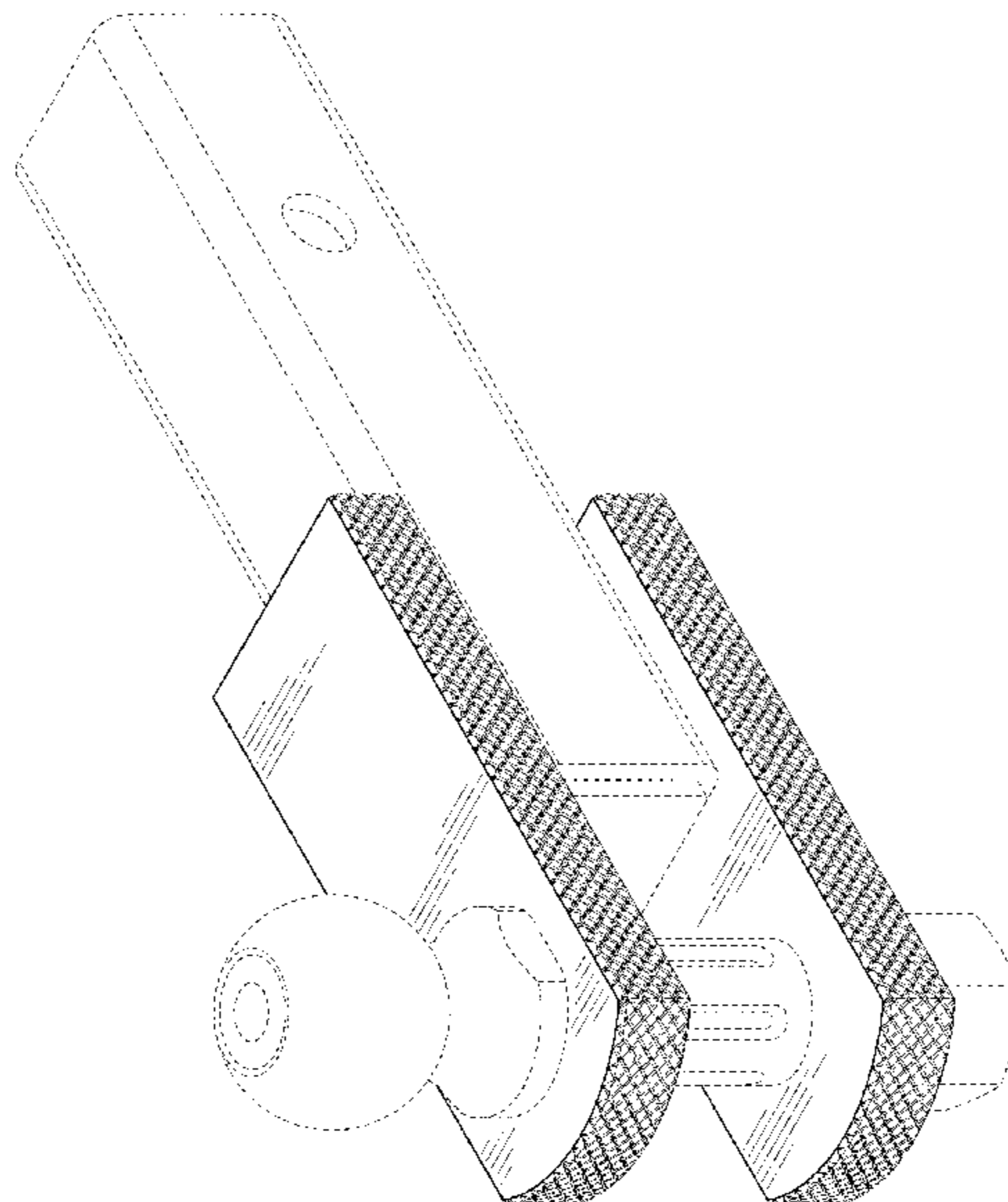
FIG. 1 is a perspective view of a clevis hitch ball mount showing our new design;  
FIG. 2 is a right side elevation view thereof;  
FIG. 3 is a left side elevation view thereof;  
FIG. 4 is a rear elevation view thereof;  
FIG. 5 is a front elevation view thereof;  
FIG. 6 is a top plan view thereof; and,  
FIG. 7 is a bottom plan view thereof.  
The broken lines in the figures are included for the purpose of illustrating portions of a clevis hitch ball mount and form no part of the claimed design.

(56) **References Cited**

**U.S. PATENT DOCUMENTS**

- 5,857,693 A 1/1999 Clark
- 6,712,381 B1 \* 3/2004 Moss ..... B60D 1/06  
280/415.1
- 6,974,148 B2 \* 12/2005 Moss ..... B60D 1/06  
280/416.1

**1 Claim, 5 Drawing Sheets**



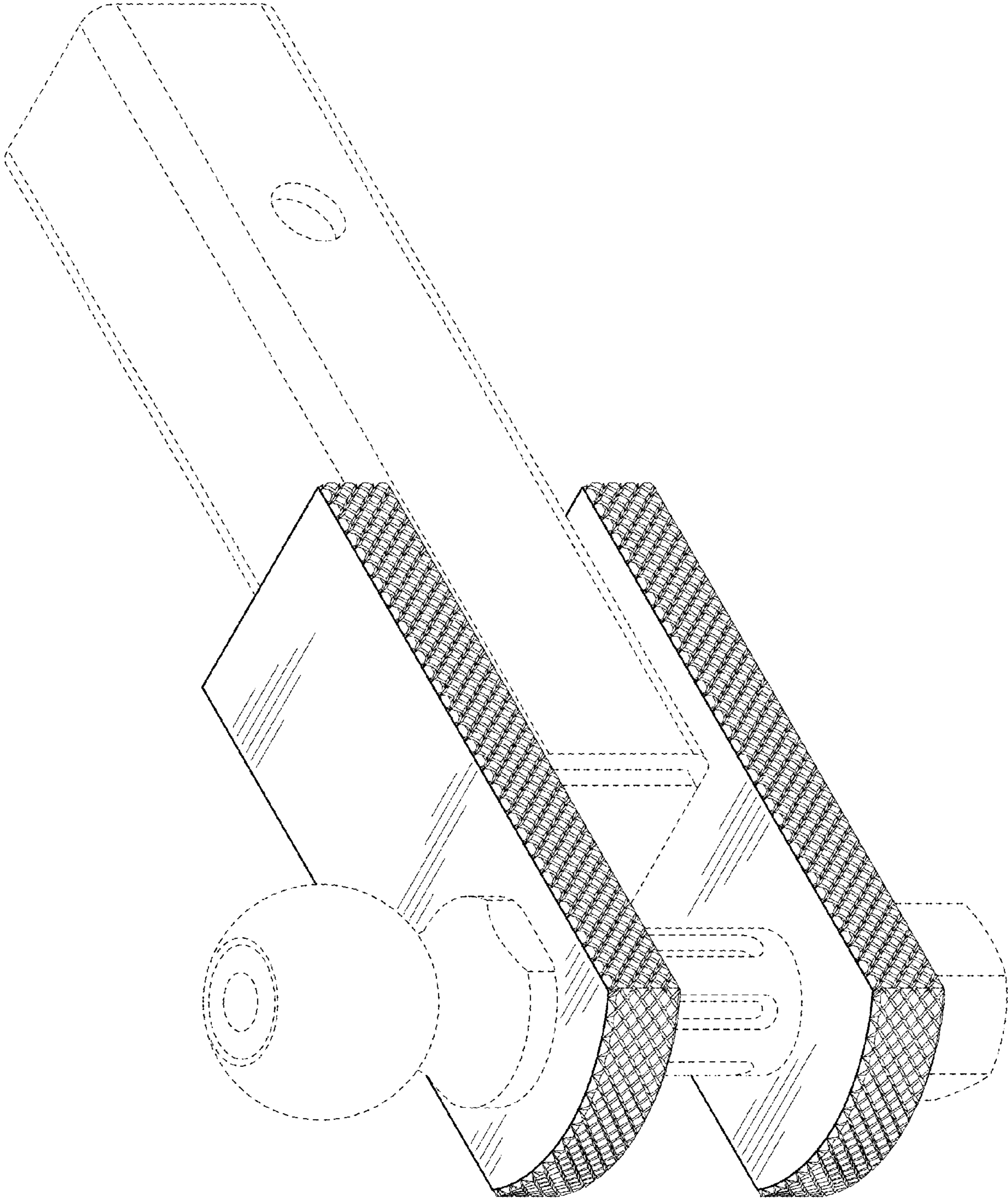


FIG. 1



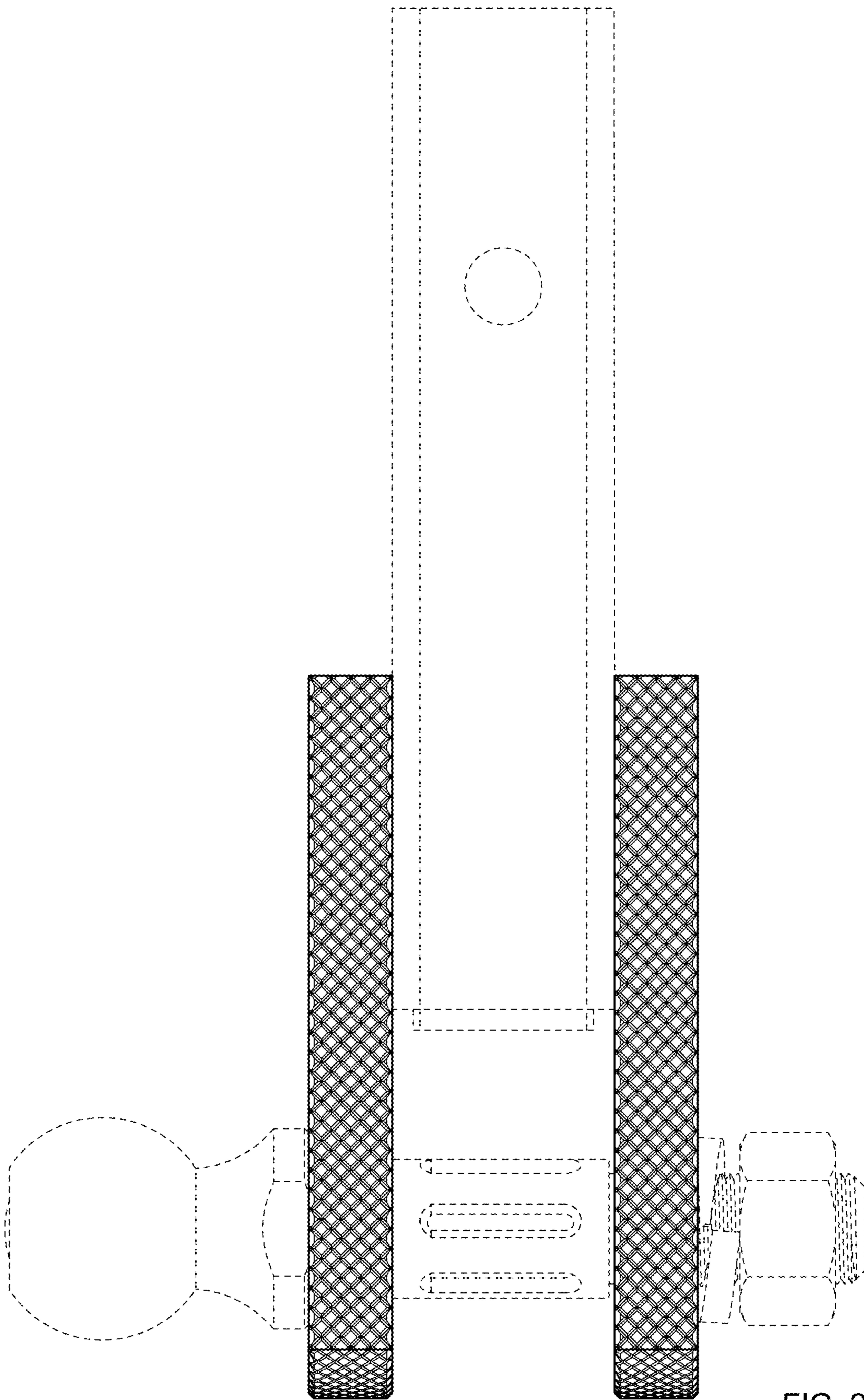


FIG. 2

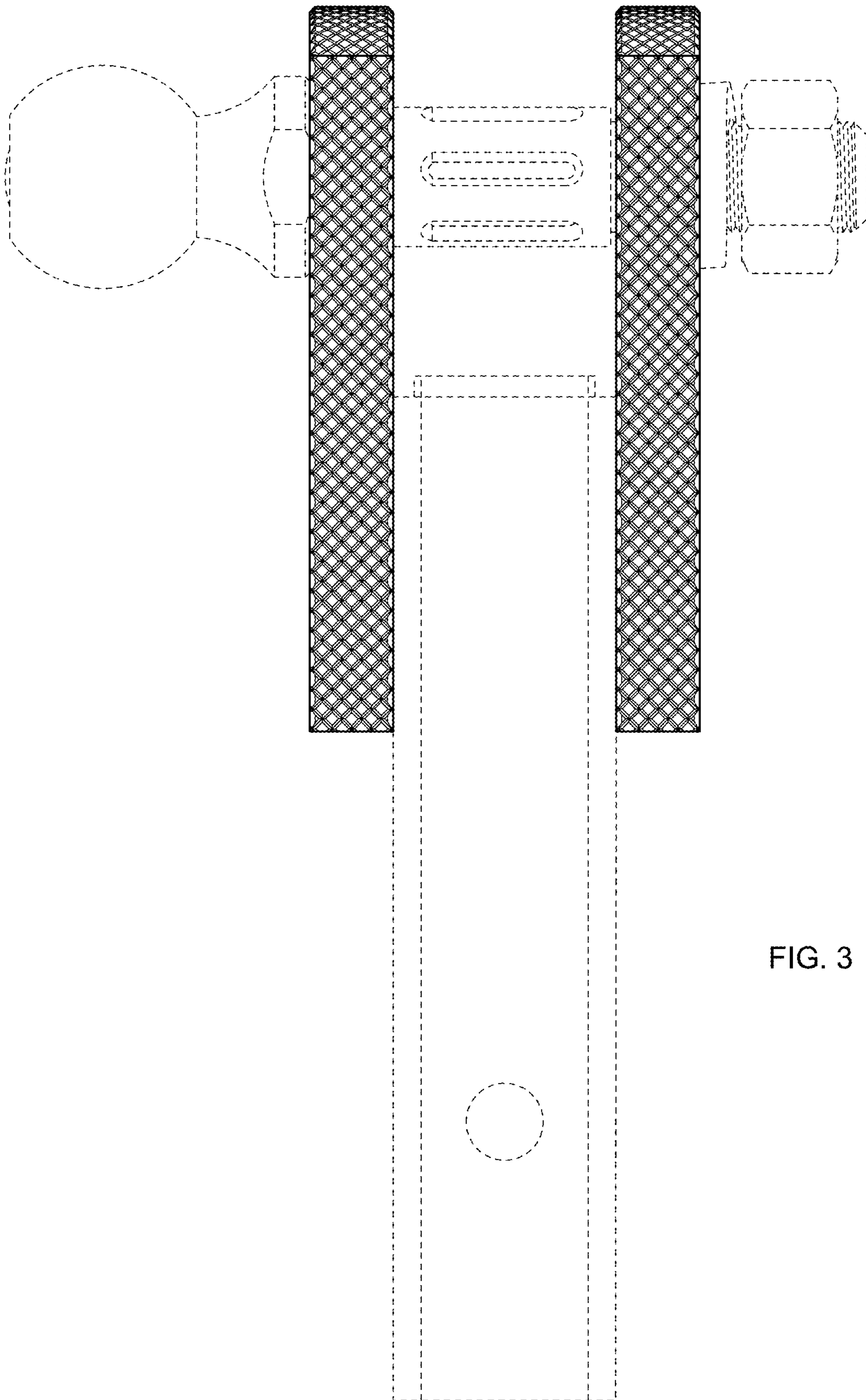


FIG. 3



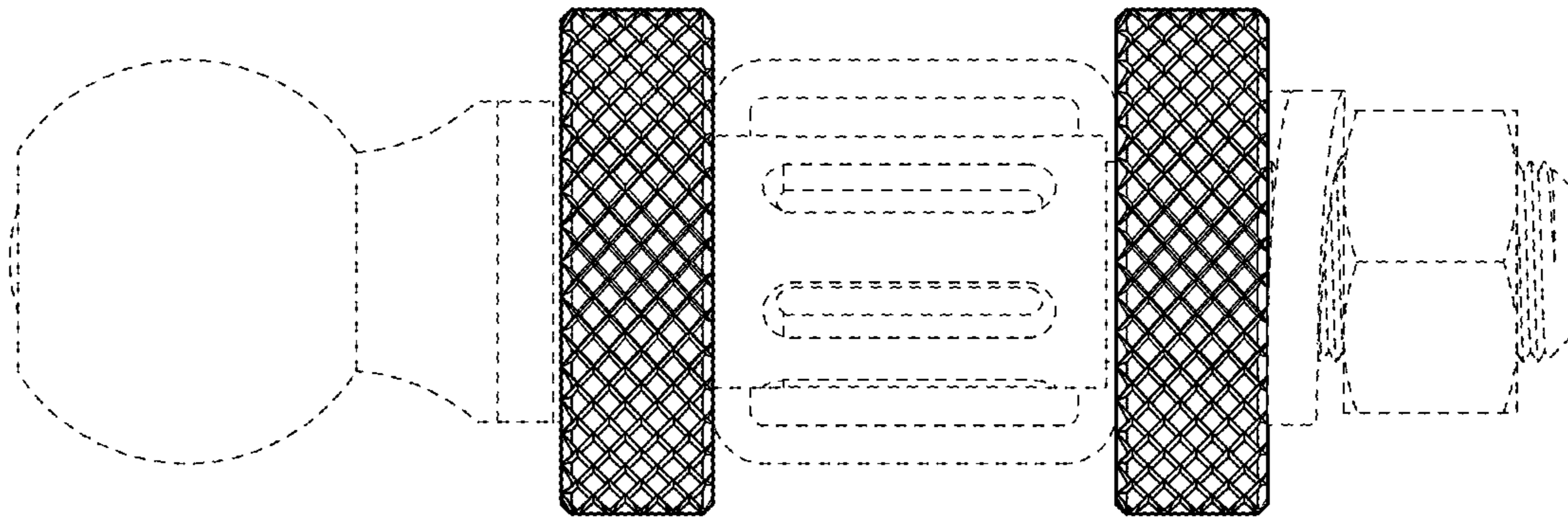


FIG. 5

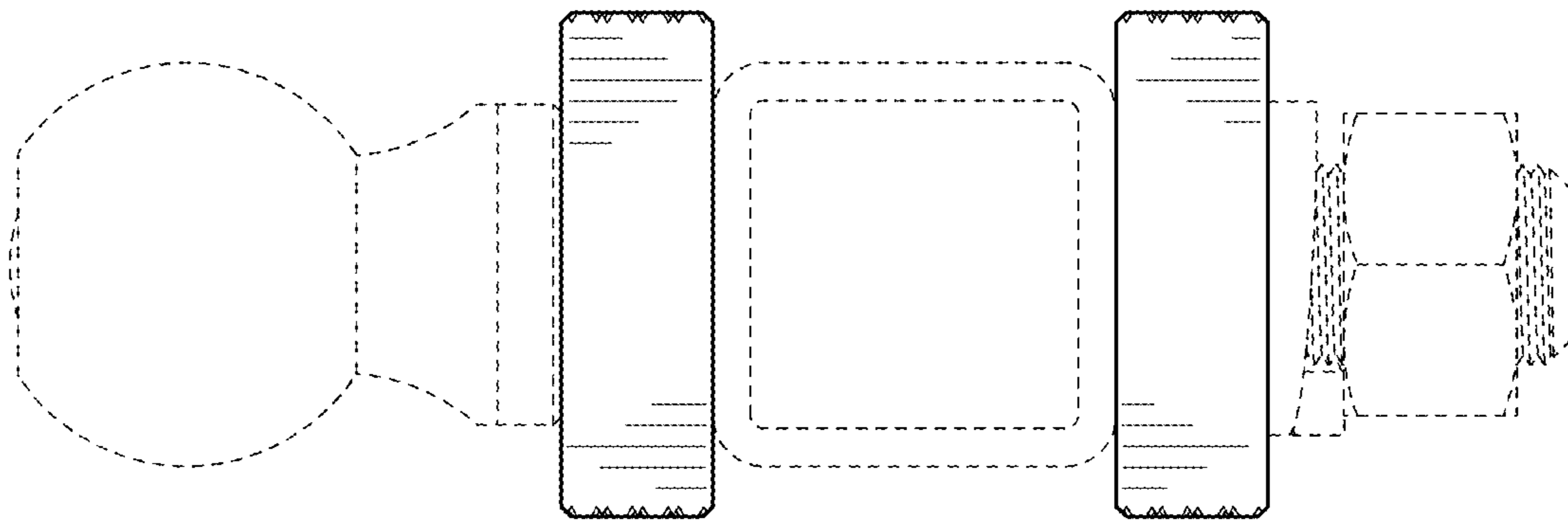


FIG. 4

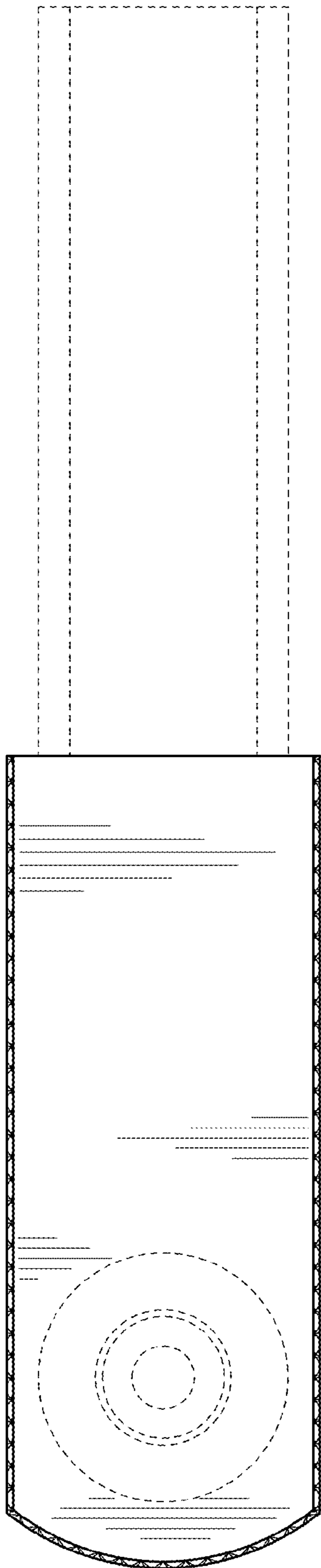


FIG. 6

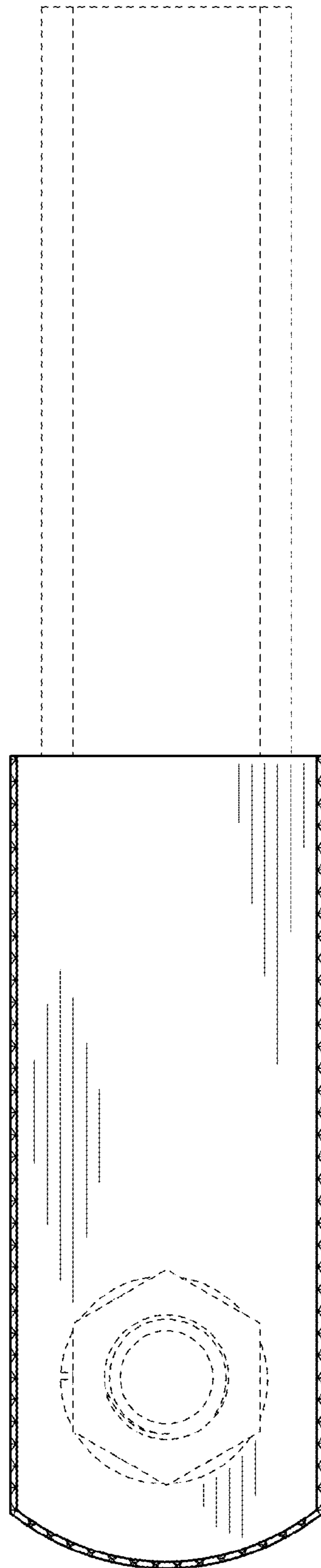


FIG. 7