



US00D941711S

(12) **United States Design Patent** (10) **Patent No.:** **US D941,711 S**
Aulick et al. (45) **Date of Patent:** **** Jan. 25, 2022**

(54) **GOOSENECK TRAILER**
(71) Applicant: **ORIGINAL EQUIPMENT CO.,**
Scottsbluff, NE (US)
(72) Inventors: **Vinc L. Aulick**, Scottsbluff, NE (US);
Jacob L. Aulick, Minatare, NE (US);
Austin L. Aulick, Minatare, NE (US);
Harry L. Aulick, Scottsbluff, NE (US)

(**) Term: **15 Years**

(21) Appl. No.: **29/652,194**

(22) Filed: **Jun. 8, 2020**

(51) **LOC (13) Cl.** **12-16**

(52) **U.S. Cl.**
USPC **D12/101**

(58) **Field of Classification Search**
USPC D12/19, 121, 100-106, 111-112;
D21/425, 435; D34/21-26, 12, 16-19
CPC .. B62D 35/00; B62D 33/077; B62D 33/0612;
B62D 24/04; B60P 3/10; B60P 3/1033;
B60P 3/0257; B60P 3/38; B60P 3/34;
E01F 15/14
See application file for complete search history.

(56) **References Cited**

U.S. PATENT DOCUMENTS

3,433,470	A *	3/1969	Erke	B60J 7/062
					296/182.1
3,795,333	A *	3/1974	Tebben	B60P 1/43
					414/537
3,837,702	A *	9/1974	Case	B60J 7/102
					296/36
D237,169	S *	10/1975	Hill et al.	D12/162

D299,219	S *	1/1989	Edwards	D12/101
D315,537	S *	3/1991	Wright	D12/97
D617,685	S *	6/2010	Rodabaugh	D12/103
D838,211	S *	1/2019	Crabb	D12/101
D876,288	S *	2/2020	Grube	D12/159
2017/0066360	A1 *	3/2017	Bushek	B60P 1/43
2019/0389387	A1 *	12/2019	Erickson	B62D 33/0222
2020/0392826	A1 *	12/2020	Cui	E21B 43/2607
2021/0061162	A1 *	3/2021	Noble	B62D 29/008

* cited by examiner

Primary Examiner — Katrina A Betton

(74) *Attorney, Agent, or Firm* — Luke C. Holst; McGrath
North Mullin & Kratz, PC LLO

(57) **CLAIM**

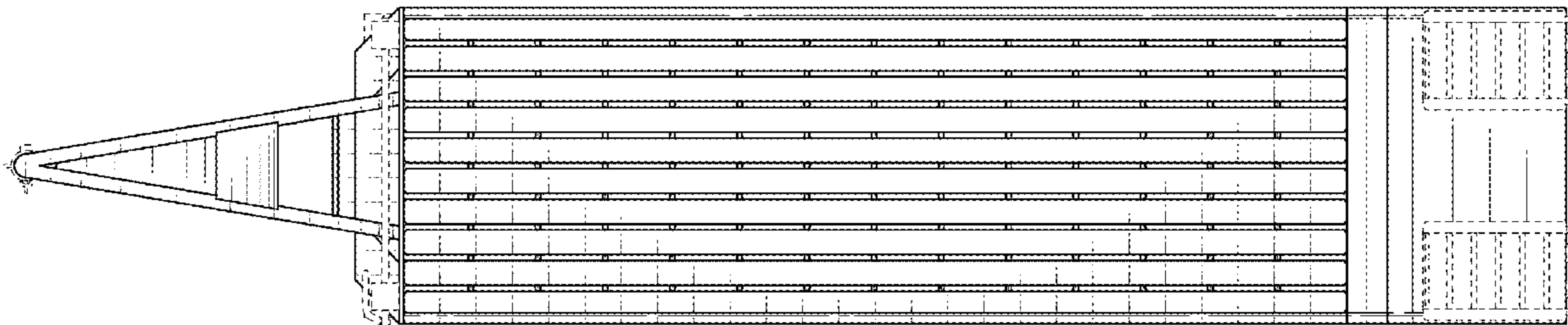
The ornamental design for a gooseneck trailer, as shown and described.

DESCRIPTION

FIG. 1 is a front perspective view of the gooseneck trailer showing the new design;
FIG. 2 is a right side view of FIG. 1;
FIG. 3 is a left side view of FIG. 1;
FIG. 4 is a front view of FIG. 1;
FIG. 5 is a rear view of FIG. 1;
FIG. 6 is a top view of FIG. 1; and,
FIG. 7 is a bottom view of FIG. 1.

Applicant makes no claim to the structure shown in broken lines in the drawings. Furthermore, Applicant notes that the markings on the drawings are for shading purposes only, and are not to be considered a part of the design of the present invention. The Applicant also notes that the claimed subject matter depicted in the drawings is not limited by any description given of the embodiment.

1 Claim, 5 Drawing Sheets



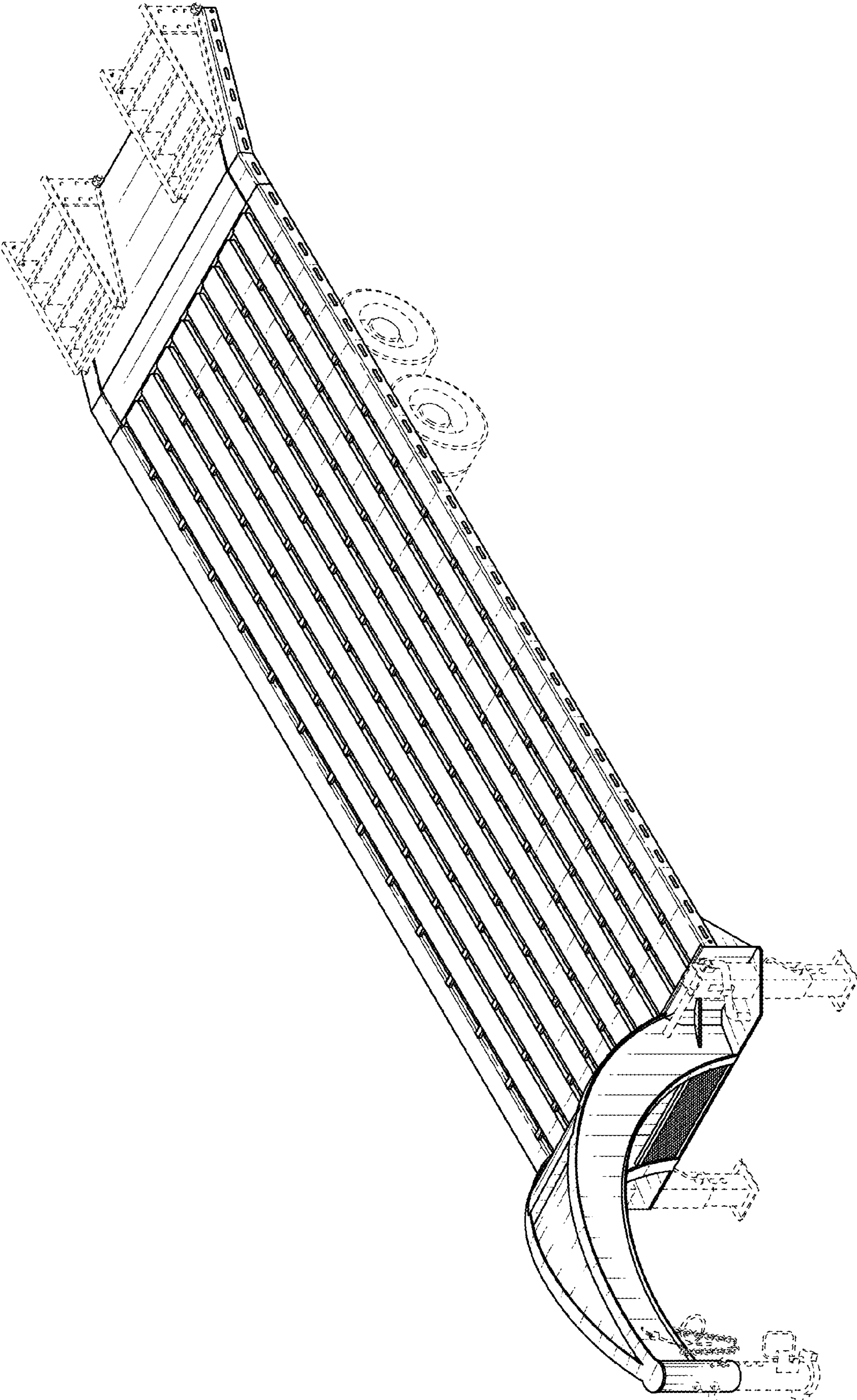


FIG. 1

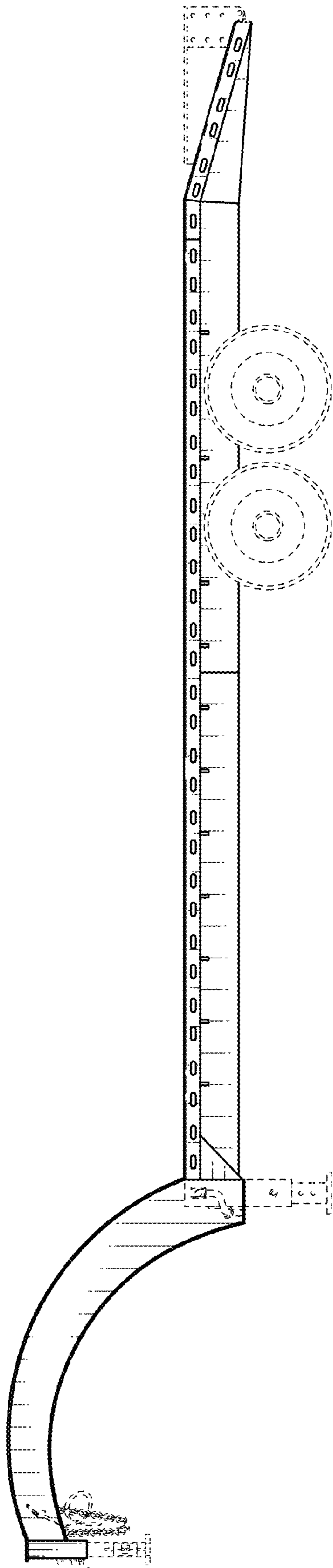


FIG. 2

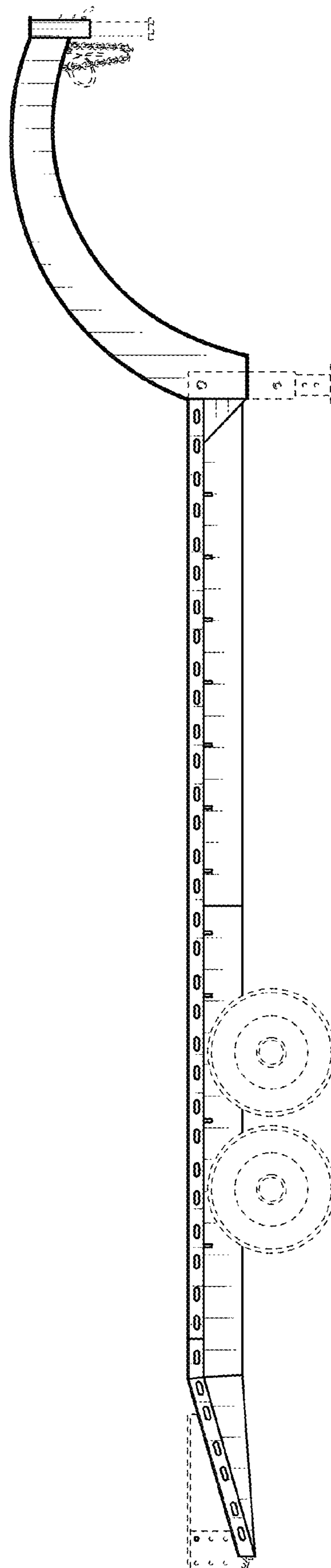


FIG. 3

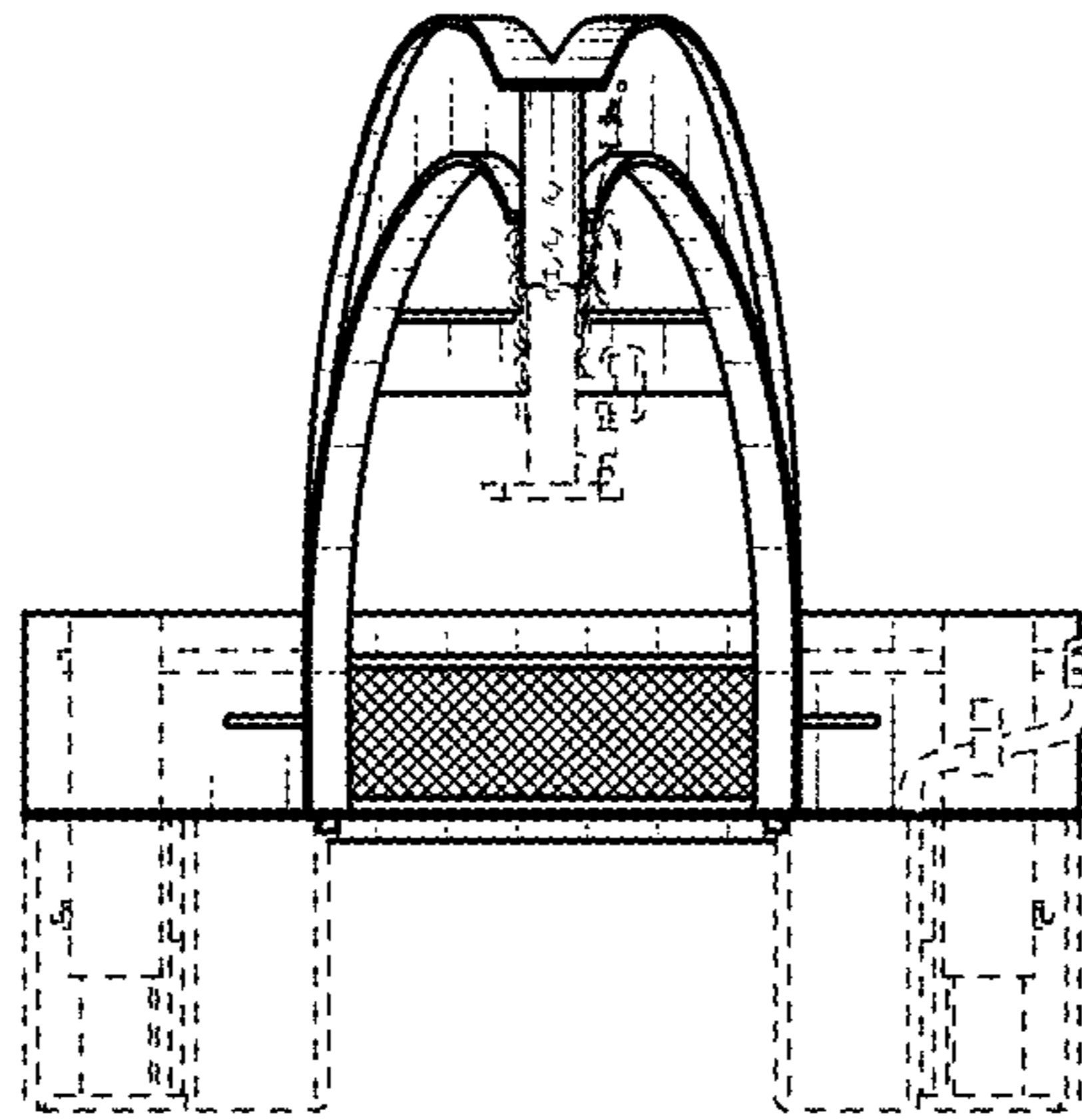


FIG. 4

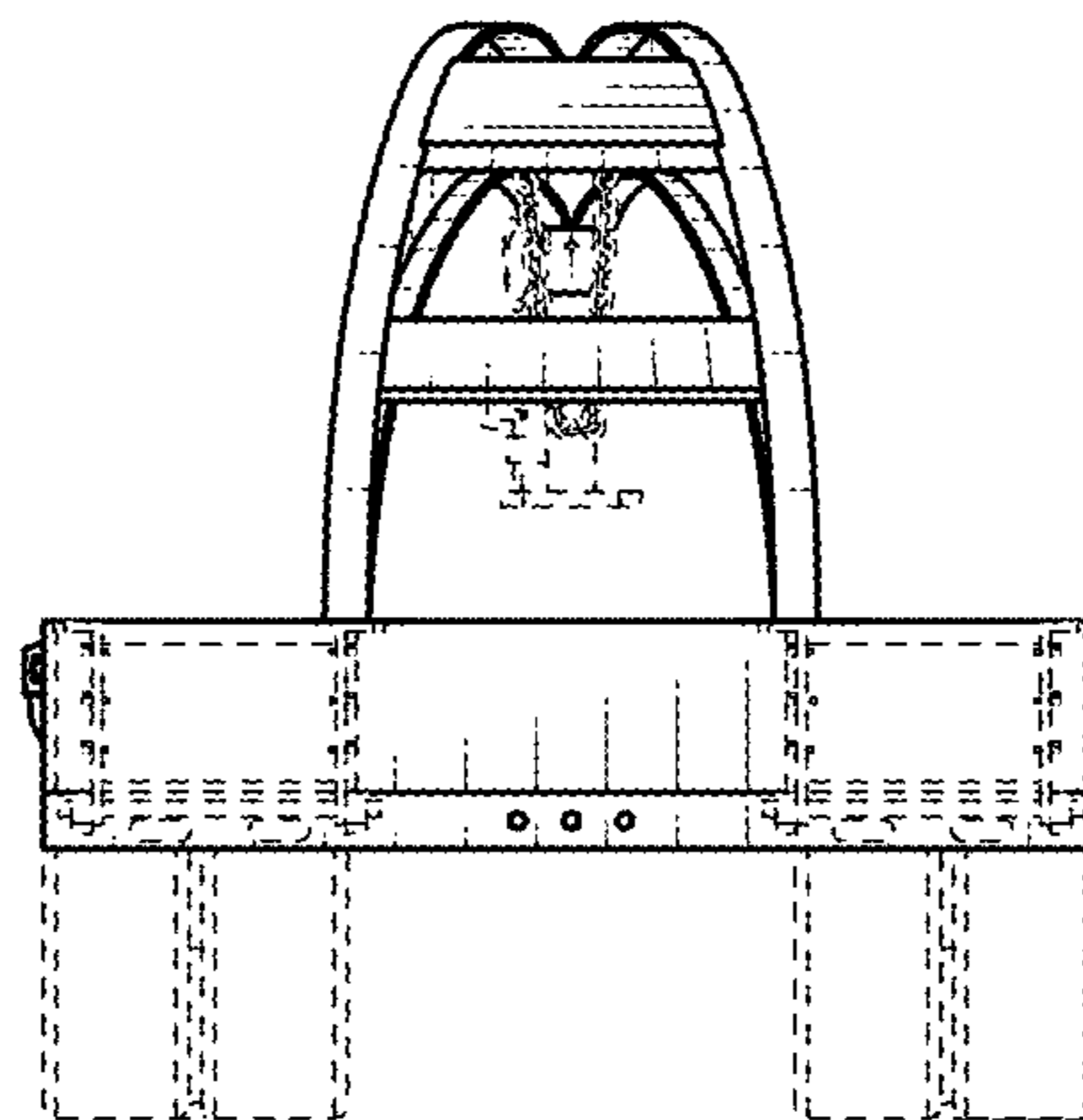


FIG. 5

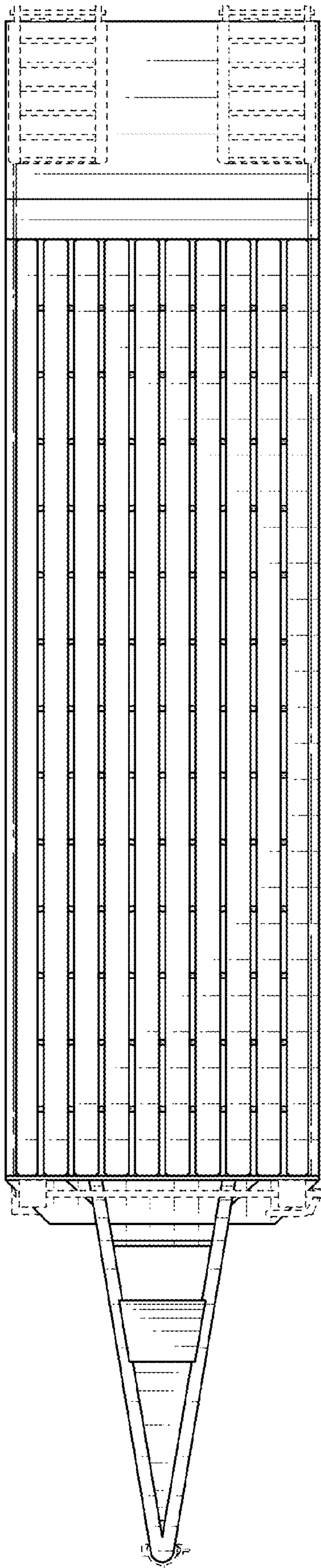


FIG. 6

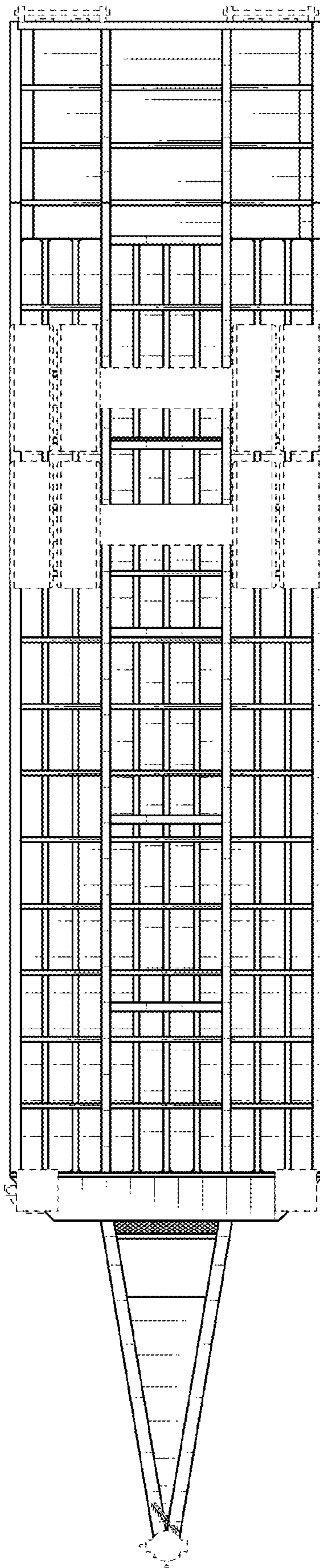


FIG. 7