



US00D941707S

(12) **United States Design Patent** (10) **Patent No.:** **US D941,707 S**  
**Woodhouse et al.** (45) **Date of Patent:** **\*\* Jan. 25, 2022**

(54) **MOTOR VEHICLE, TOY REPLICA, AND/OR OTHER REPLICAS**

(56) **References Cited**

(71) Applicant: **Ford Global Technologies, LLC**,  
Dearborn, MI (US)  
(72) Inventors: **David Woodhouse**, Troy, MI (US);  
**Kemal Curic**, Irvine, CA (US); **Xitij Mistry**,  
Ann Arbor, MI (US); **Gurminder Bhandal**,  
Ferndale, MI (US); **John C. Caswell**, Grosse Pointe,  
MI (US)  
(73) Assignee: **Ford Global Technologies, LLC**,  
Dearborn, MI (US)

U.S. PATENT DOCUMENTS

D727,210 S *	4/2015	Grake .....	D12/91
D728,424 S *	5/2015	Rupar .....	D12/91
D728,426 S *	5/2015	Di Buduo .....	D12/91
D741,224 S *	10/2015	Rupar .....	D12/91
D741,752 S *	10/2015	Messale .....	D12/91
D743,303 S *	11/2015	Huang .....	D12/91
D746,175 S *	12/2015	Wolff .....	D12/91
D754,563 S *	4/2016	Behmer .....	D12/91
D770,942 S *	11/2016	Woodhouse .....	D12/92
D793,283 S *	8/2017	Woodhouse .....	D12/91
D820,162 S *	6/2018	Woodhouse .....	D12/91
D820,163 S *	6/2018	Woodhouse .....	D12/91
D869,337 S *	12/2019	Woodhouse .....	D12/91
D890,032 S *	7/2020	Woodhouse .....	D12/91
D906,178 S *	12/2020	Woodhouse .....	D12/91

(\*\*) Term: **15 Years**

\* cited by examiner

(21) Appl. No.: **29/759,507**

*Primary Examiner* — Melody N Brown

(22) Filed: **Nov. 23, 2020**

**Related U.S. Application Data**

(62) Division of application No. 29/716,527, filed on Dec. 10, 2019, now Pat. No. Des. 906,178, which is a division of application No. 29/641,676, filed on Mar. 23, 2018, now Pat. No. Des. 869,337.

(51) **LOC (13) Cl.** ..... **12-08**

(52) **U.S. Cl.**  
USPC ..... **D12/91**

(58) **Field of Classification Search**  
USPC ..... D12/86, 90-92, 88; D21/424, 433, 434;  
296/181.1-181.5, 183.1  
CPC ..... B62D 25/00; B62D 25/06; B62D 33/00;  
B62D 35/00

See application file for complete search history.

(57) **CLAIM**

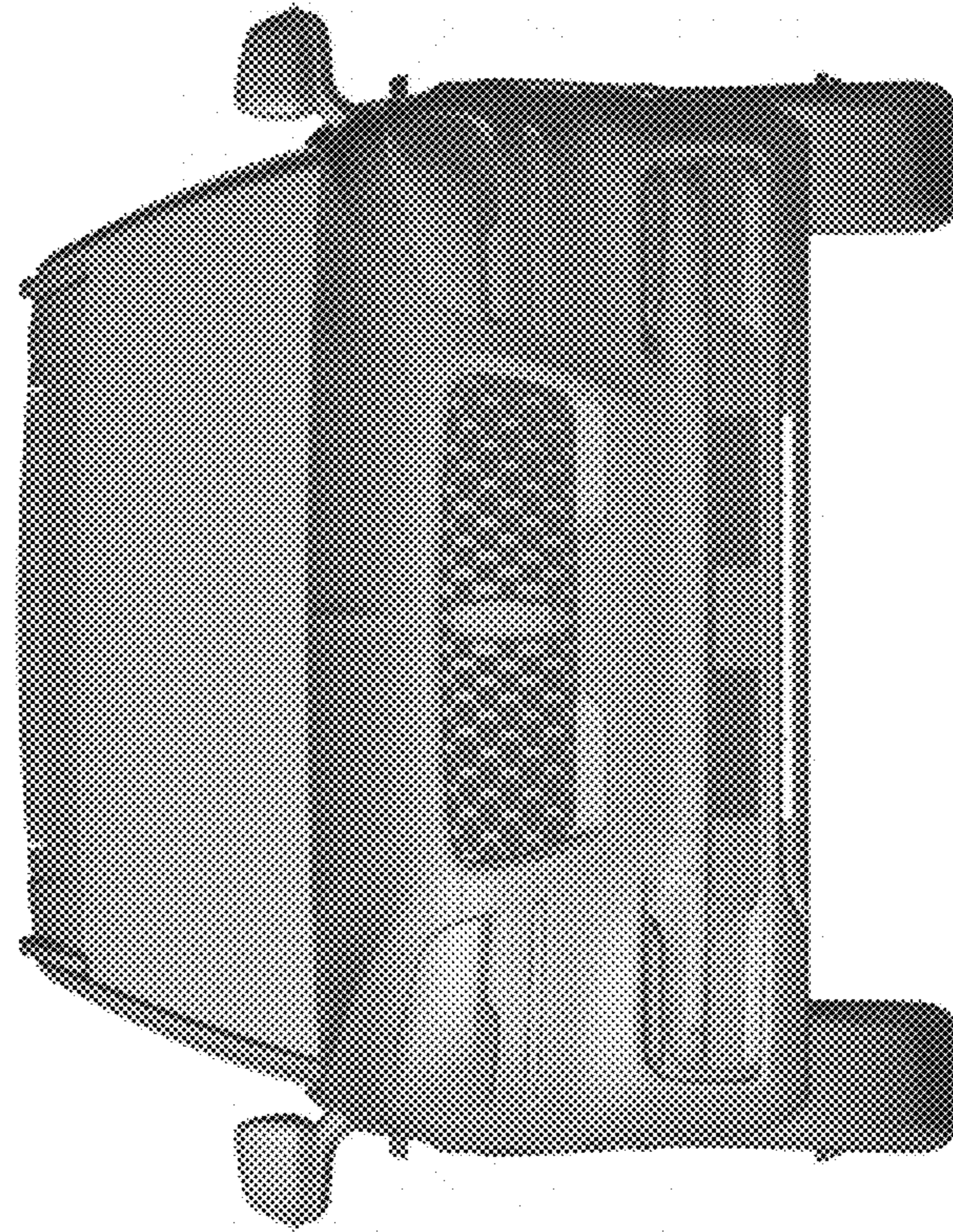
The ornamental design for a motor vehicle, toy replica, and/or other replicas, as shown and described.

**DESCRIPTION**

FIG. 1 is a front elevational view of a motor vehicle, toy replica, and/or other replicas, showing our new design;  
FIG. 2 is a rear elevational view thereof;  
FIG. 3 is a left side elevational view thereof;  
FIG. 4 is a right side elevational view thereof;  
FIG. 5 is a top plan view thereof;  
FIG. 6 top, front, and left side perspective view thereof; and,  
FIG. 7 is a top, rear, and left side perspective view thereof.

**1 Claim, 7 Drawing Sheets**





*Fig. 1*

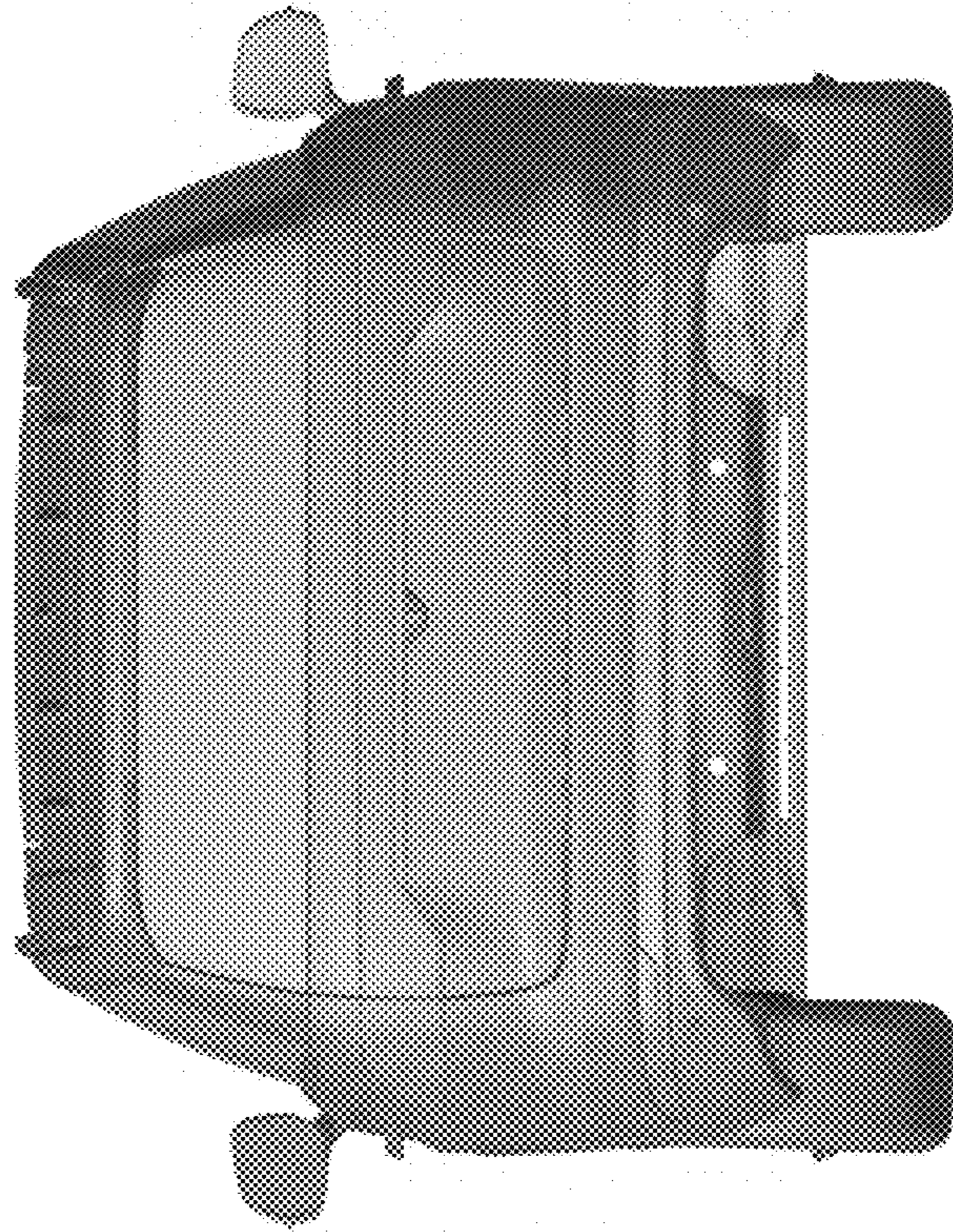


Fig. 2



Fig. 3



Fig. 4



Fig. 5



Fig. 6

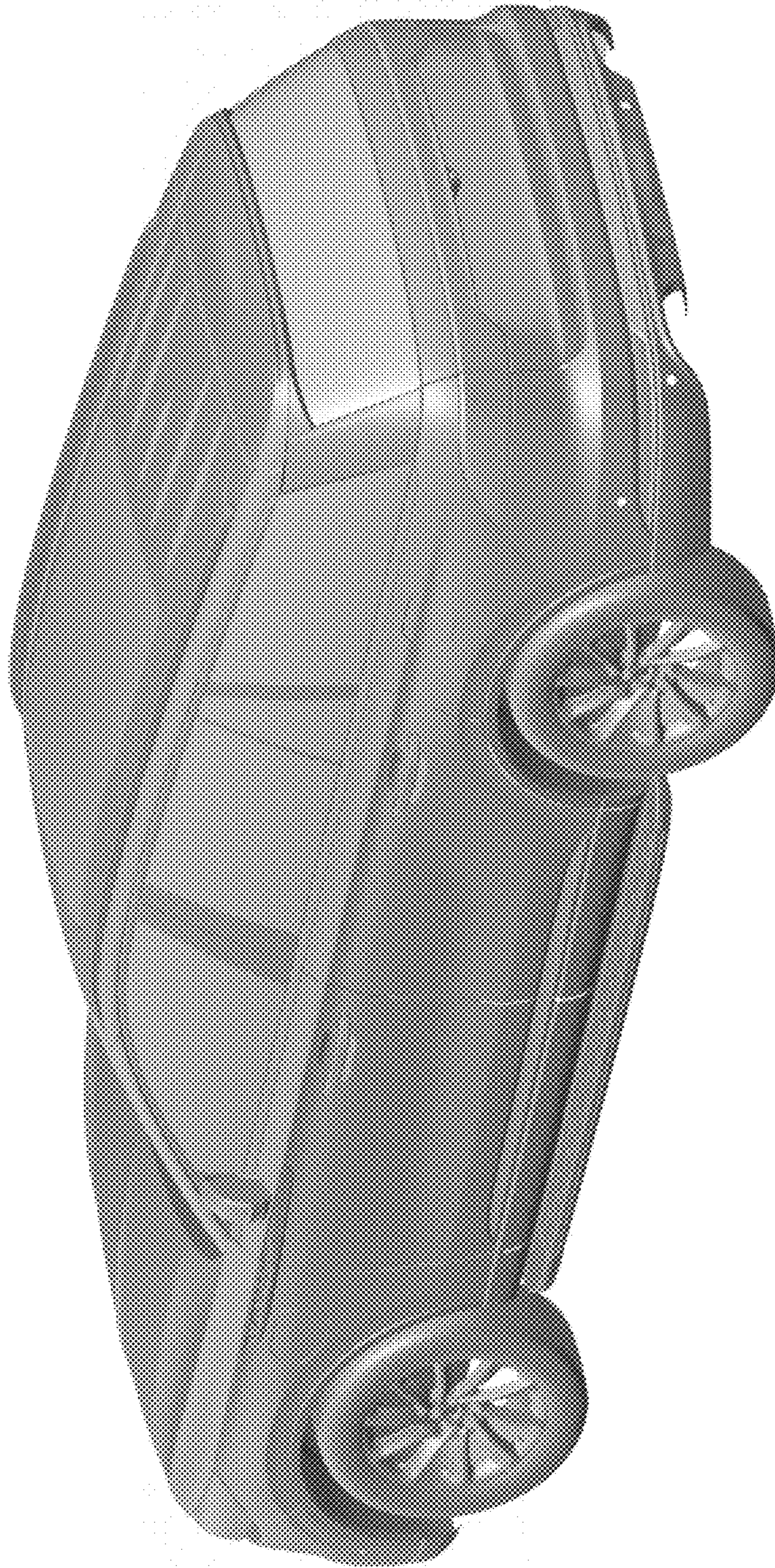


Fig. 7