



US00D941703S

(12) **United States Design Patent**
Muron

(10) **Patent No.:** **US D941,703 S**
(45) **Date of Patent:** **** Jan. 25, 2022**

(54) **SNOW SCOOTER**
(71) Applicant: **MOONBIKES MOTORS**, Paris (FR)
(72) Inventor: **Nicolas Muron**, Paris (FR)
(73) Assignee: **MOONBIKES MOTORS**, Paris (FR)
(**) Term: **15 Years**
(21) Appl. No.: **35/510,192**

D333,110 S * 2/1993 Mogi D12/7
6,112,840 A * 9/2000 Forbes B62K 3/002
180/191
D585,332 S * 1/2009 Marks D12/10
D612,766 S * 3/2010 Boivin D12/7
D778,783 S * 2/2017 Will D12/7
D813,091 S * 3/2018 Tharp D12/7
9,988,067 B1 * 6/2018 Mangum B62B 17/04
10,889,338 B2 * 1/2021 Mangum B62D 55/07
10,899,415 B2 * 1/2021 Mangum B62M 27/02
11,027,794 B2 * 6/2021 Vigen B62M 27/02
2008/0017431 A1 * 1/2008 Sadakuni B62M 27/02
180/193

(22) Filed: **Feb. 27, 2020**

* cited by examiner

(80) **Hague Agreement Data**

Int. Filing Date: **Feb. 27, 2020**
Int. Reg. No.: **DM/206591**
Int. Reg. Date: **Feb. 27, 2020**
Int. Reg. Pub. Date: **Aug. 28, 2020**

Primary Examiner — George D. Kirschbaum
(74) *Attorney, Agent, or Firm* — Buchanan Ingersoll & Rooney PC

(30) **Foreign Application Priority Data**

Aug. 27, 2019 (EM) 006777363

(51) **LOC (13) Cl.** **12-13**

(52) **U.S. Cl.**
USPC **D12/10**

(58) **Field of Classification Search**
USPC D12/7, 10
CPC B62K 3/002; B62B 17/04; B62D 55/07
See application file for complete search history.

(57) **CLAIM**

The ornamental design for a snow scooter, as shown and described.

(56) **References Cited**

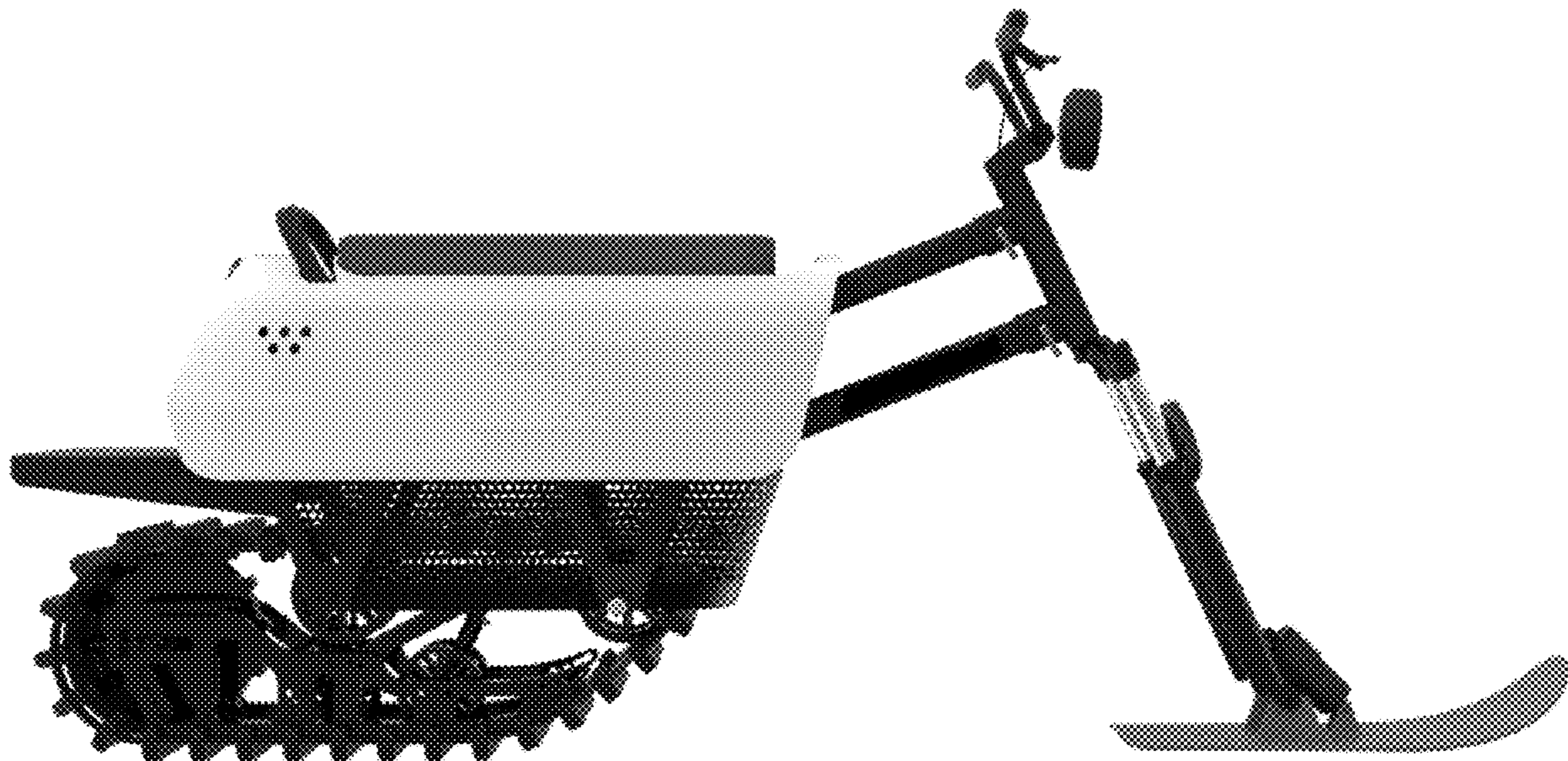
U.S. PATENT DOCUMENTS

4,286,682 A * 9/1981 Stewart B62M 27/02
180/184
D266,917 S * 11/1982 Stewart D12/7

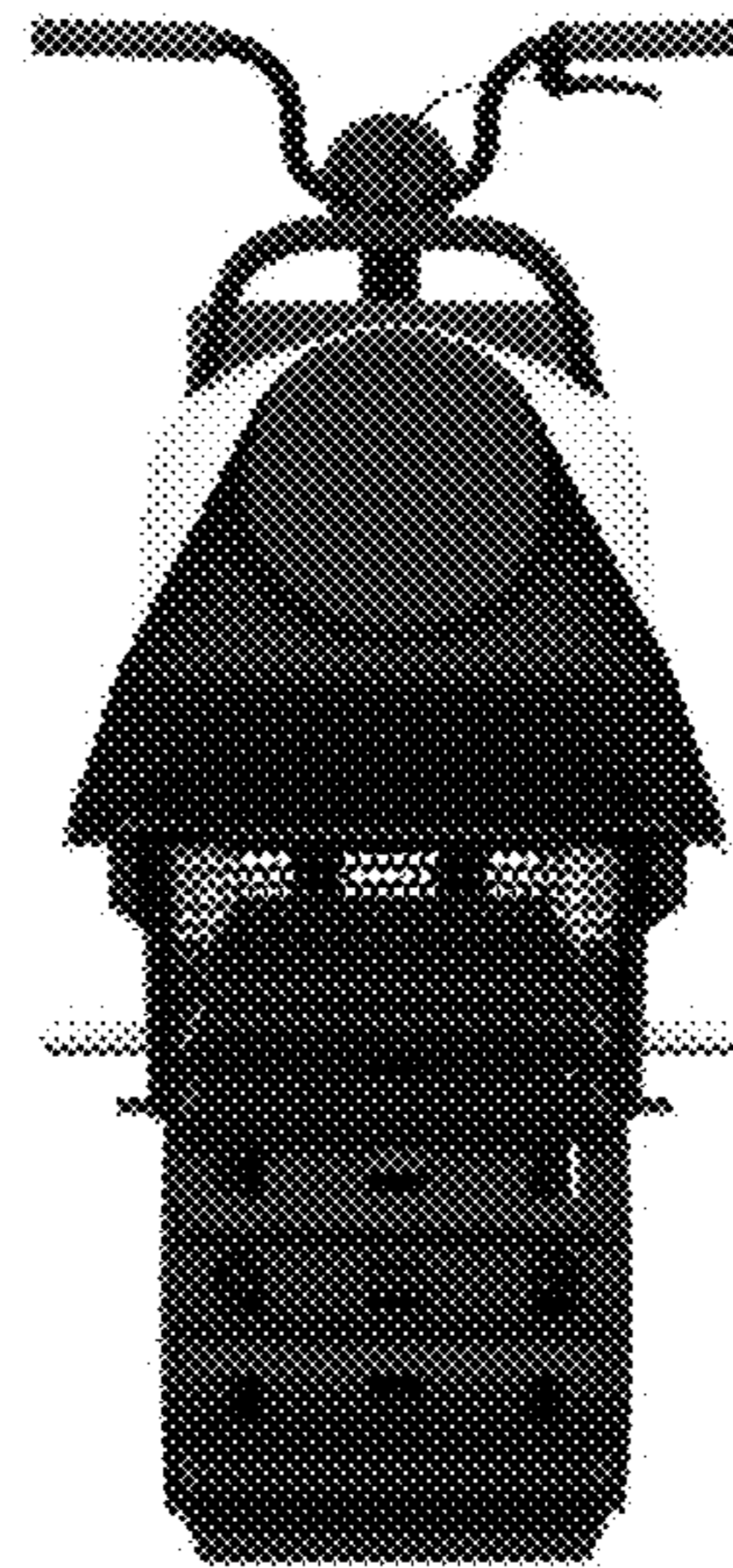
DESCRIPTION

- 1. Snow scooter
- 1.1 is a rear view.
- 1.2 is a right side view.
- 1.3 is a front view.
- 1.4 is a right rear perspective view.
- 1.5 is a top view.
- 1.6 is an exploded view.
- 1.7 is a front right perspective view.

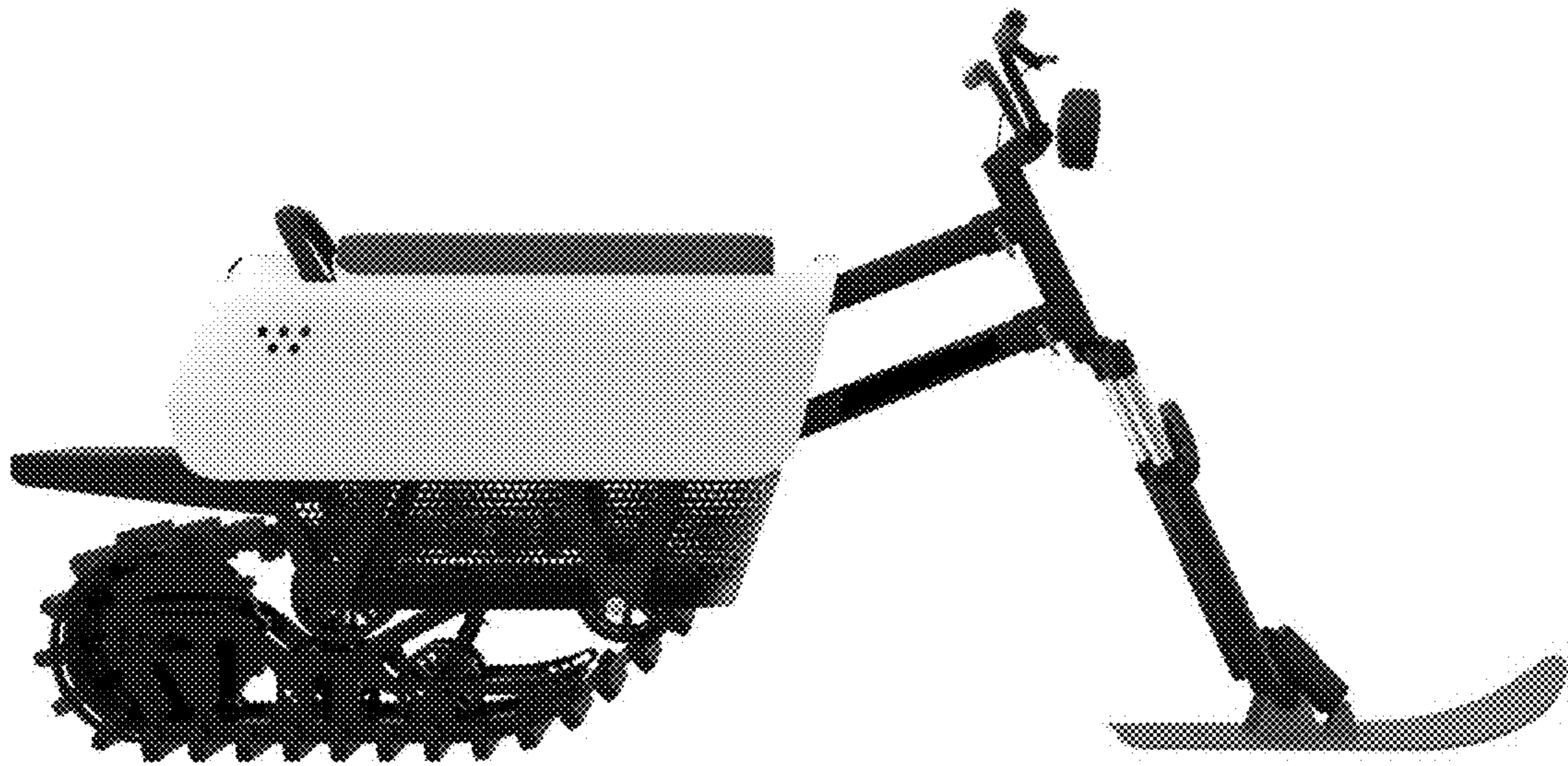
1 Claim, 7 Drawing Sheets



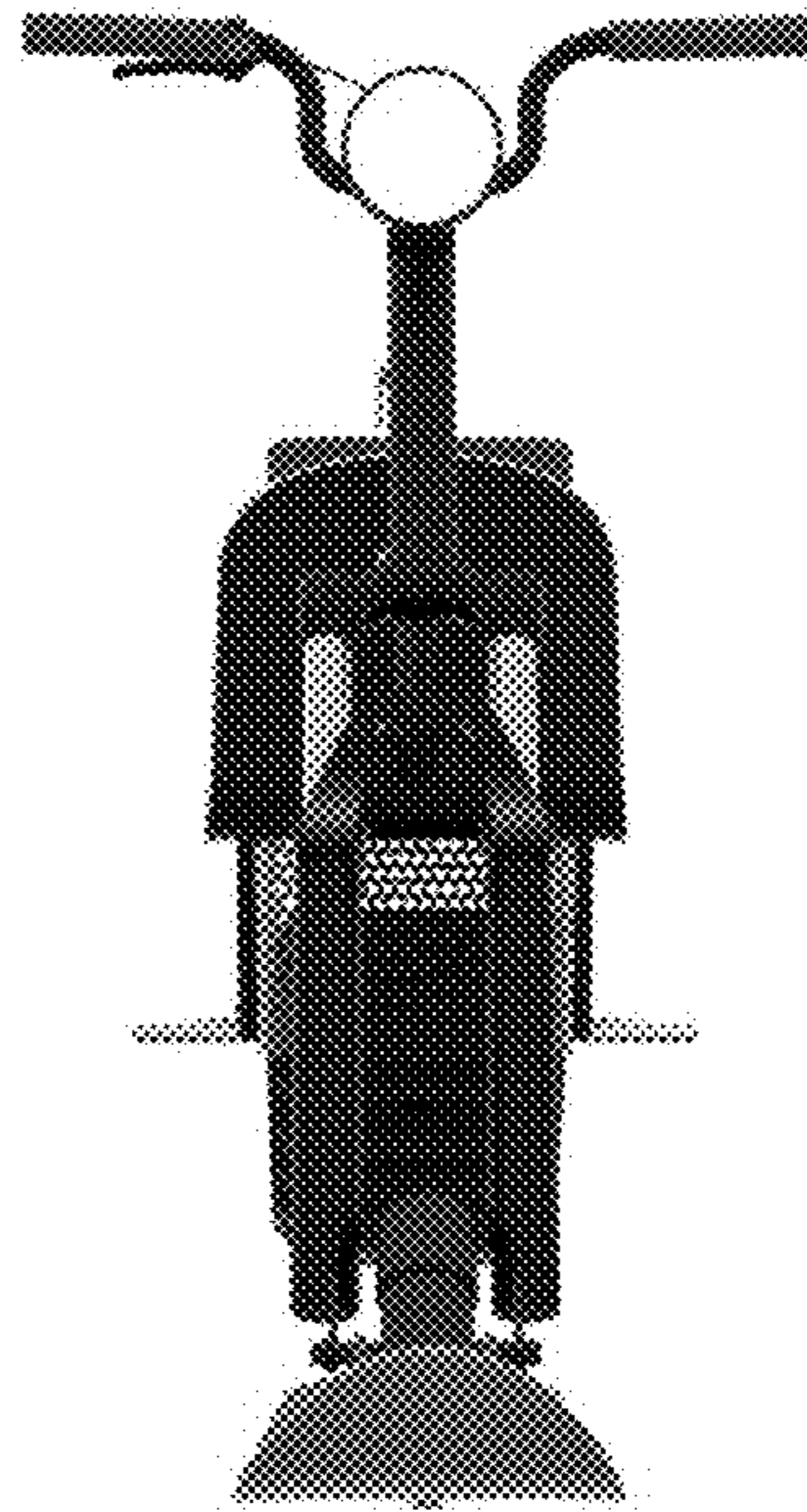
1.1



1.2



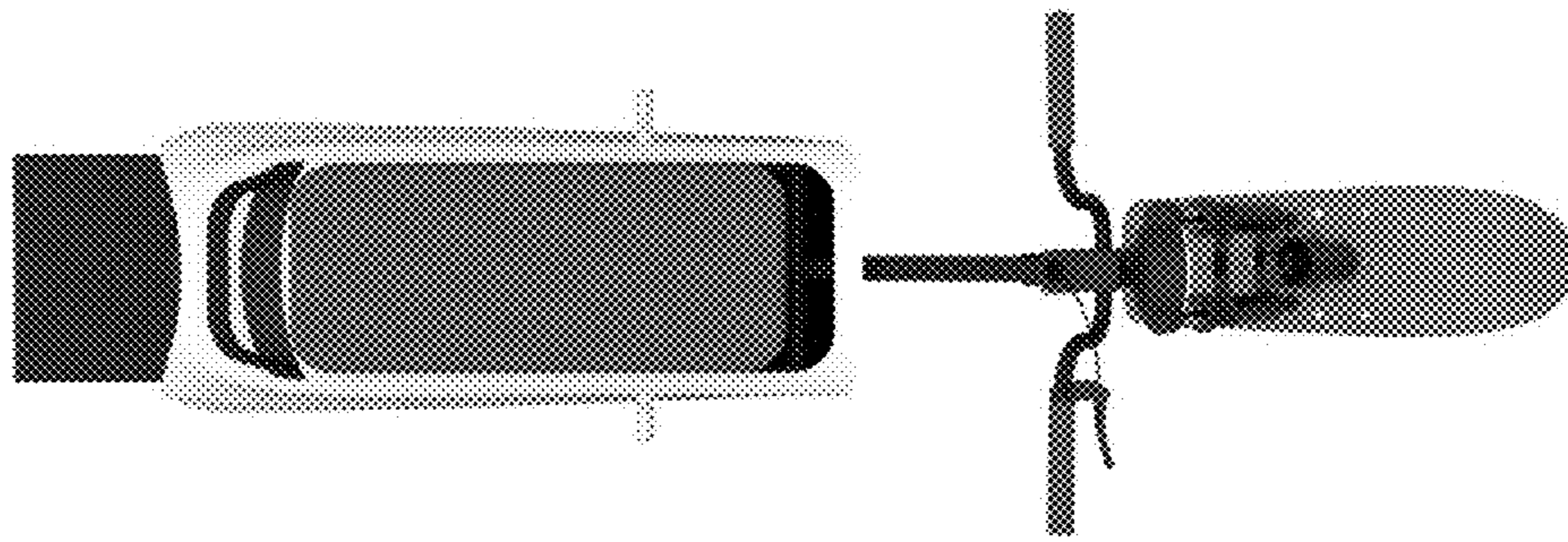
1.3



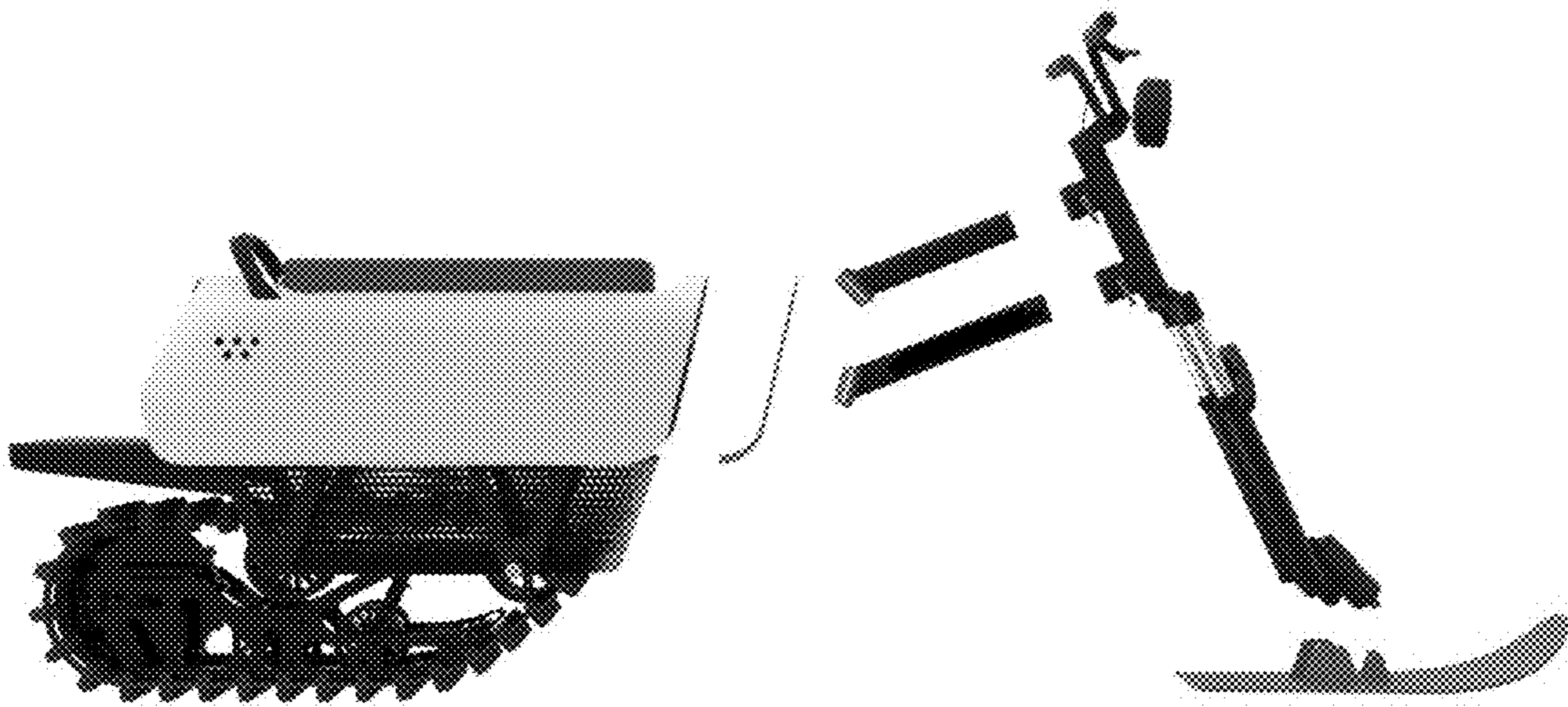
1.4



1.5



1.6



1.7

