



US00D941700S

(12) **United States Design Patent**
Dholakiya

(10) **Patent No.:** **US D941,700 S**
(45) **Date of Patent:** **** Jan. 25, 2022**

- (54) **PRECIOUS STONE JEWELRY SETTING**
- (71) Applicant: **H. K. Designs Inc.**, New York, NY (US)
- (72) Inventor: **Hasu Dholakiya**, New York, NY (US)
- (73) Assignee: **H. K. DESIGNS INC.**, New York, NY (US)
- (**) Term: **15 Years**
- (21) Appl. No.: **29/705,609**
- (22) Filed: **Sep. 13, 2019**

- D497,322 S 10/2004 Gruosi-Scheufele
- D538,696 S 3/2007 Azrielant
- D542,694 S 5/2007 Schweizer
- D549,129 S 8/2007 Kothari
- D614,065 S 4/2010 Vagal
- D644,141 S 8/2011 George
- D655,219 S 3/2012 Kothari
- D676,349 S 2/2013 Papadimitriou
- D676,781 S 2/2013 Papadimitriou
- D684,085 S 6/2013 Papadimitriou
- D713,404 S 9/2014 Green
- D716,683 S 11/2014 Wolf
- D725,537 S 3/2015 Wellendorff
- D726,577 S 4/2015 Weems
- D748,006 S 1/2016 Vartanian
- D751,945 S 3/2016 Yep
- D754,024 S 4/2016 Yep
- D761,151 S 7/2016 Weems
- D766,123 S 9/2016 Wachtmeister
- D770,430 S 11/2016 Lee
- D794,491 S 8/2017 Shanderson
- D808,851 S 1/2018 Kwon

Related U.S. Application Data

- (62) Division of application No. 29/600,165, filed on Apr. 10, 2017, now Pat. No. Des. 860,036.

- (51) **LOC (13) Cl.** **11-01**
- (52) **U.S. Cl.**
USPC **D11/91**
- (58) **Field of Classification Search**
USPC D11/1, 2, 26-31, 34-40, 79, 91-92
CPC . A44C 17/02; A44C 17/0275; A44C 17/0283;
A44C 17/0291; A44C 25/001; A44C
25/007; A44C 17/04

See application file for complete search history.

References Cited

U.S. PATENT DOCUMENTS

- (56) 795,109 A * 7/1905 Dover A44C 17/02
63/26
- D254,537 S 3/1980 Abelson
- 4,435,963 A * 3/1984 Shigeru A44C 17/02
63/18
- D306,707 S * 3/1990 Henry De Frahan D11/75
- D308,651 S 6/1990 Bulgari
- D311,356 S * 10/1990 De Frahan D11/79
- D311,504 S * 10/1990 De Frahan D11/79

Primary Examiner — Llorellys Martinez

(74) *Attorney, Agent, or Firm* — Ostrolenk Faber LLP

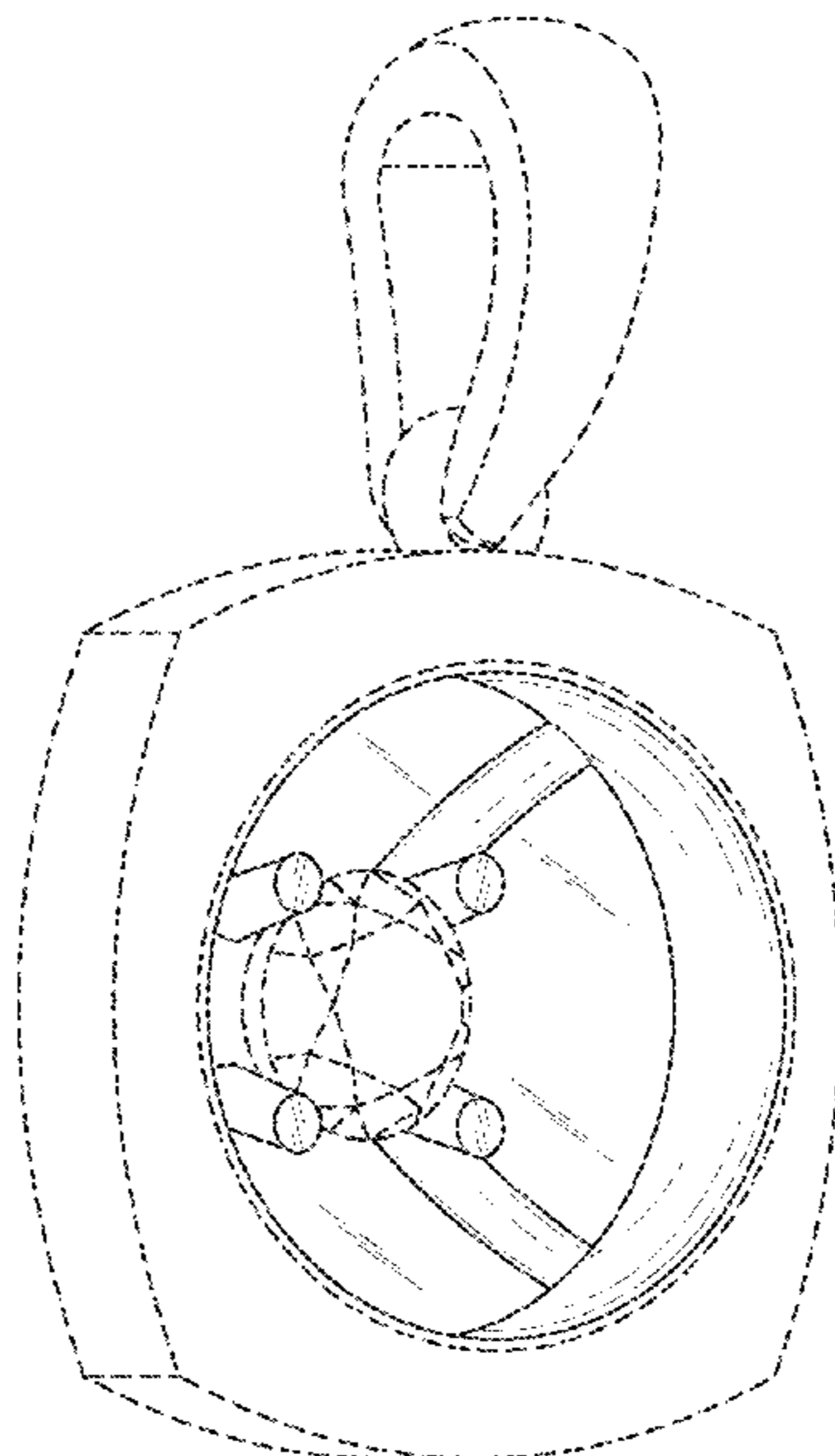
CLAIM

(57) The ornamental design for a precious stone jewelry setting, as shown and described.

DESCRIPTION

FIG. 1 is a perspective view of a precious stone jewelry setting showing my new design.
 FIG. 2 is a front view of FIG. 1.
 FIG. 3 is a right side view of FIG. 1, the left side view being a mirror image thereof; and,
 FIG. 4 is a rear view of FIG. 1.
 The broken lines in the drawings represent portions of the precious stone jewelry setting that form no part of the claimed design.

1 Claim, 4 Drawing Sheets



(56)

References Cited

U.S. PATENT DOCUMENTS

D831,530	S	10/2018	Dholakiya	
D860,036	S *	9/2019	Dholakiya	D11/91
10,602,814	B1 *	3/2020	Dholakiya	A44C 17/02
D891,977	S *	8/2020	Dholakiya	D11/91
D893,340	S *	8/2020	Zheng	D11/42
D899,964	S *	10/2020	Dholakiya	D11/92
2001/0017040	A1 *	8/2001	Tseng	A44C 25/001
				63/1.11
2004/0103689	A1 *	6/2004	Chia	A44C 11/007
				63/26
2005/0199004	A1 *	9/2005	Bernsen	A44C 11/007
				63/26
2007/0089457	A1 *	4/2007	Katz	A44C 17/02
				63/26
2012/0151963	A1	6/2012	Dobashi	
2016/0066662	A1 *	3/2016	Rosenberg	A44C 17/02
				428/13
2016/0232439	A1 *	8/2016	Huynh	A44C 17/02
2017/0172265	A1 *	6/2017	Leuz	A44C 17/0283
2018/0000208	A1 *	1/2018	Bove	A44C 17/04
2018/0070686	A1 *	3/2018	de Cezaro	A44C 17/02
2018/0307050	A1	10/2018	Dholakiya	

* cited by examiner

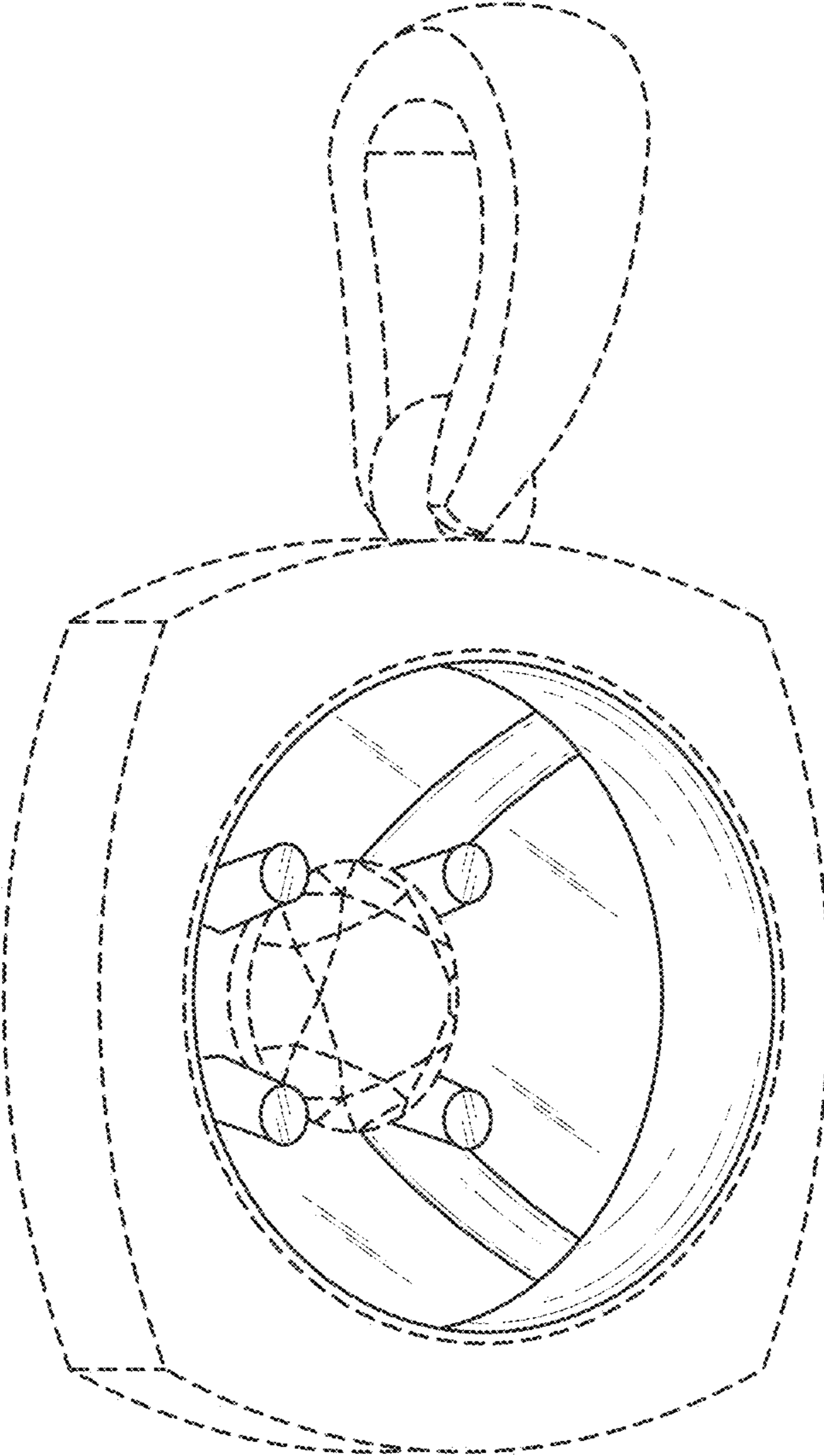


FIG. 1

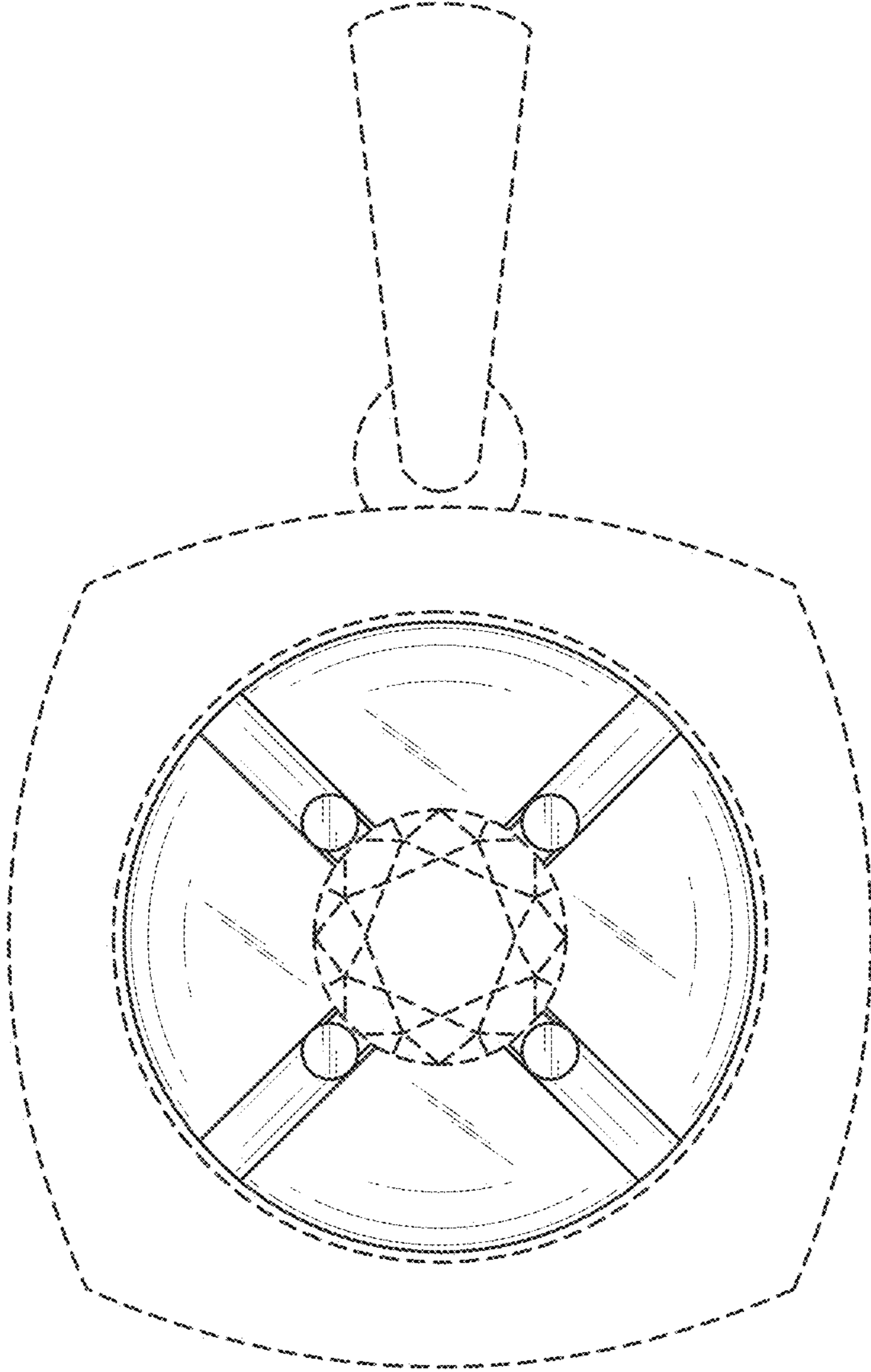


FIG. 2

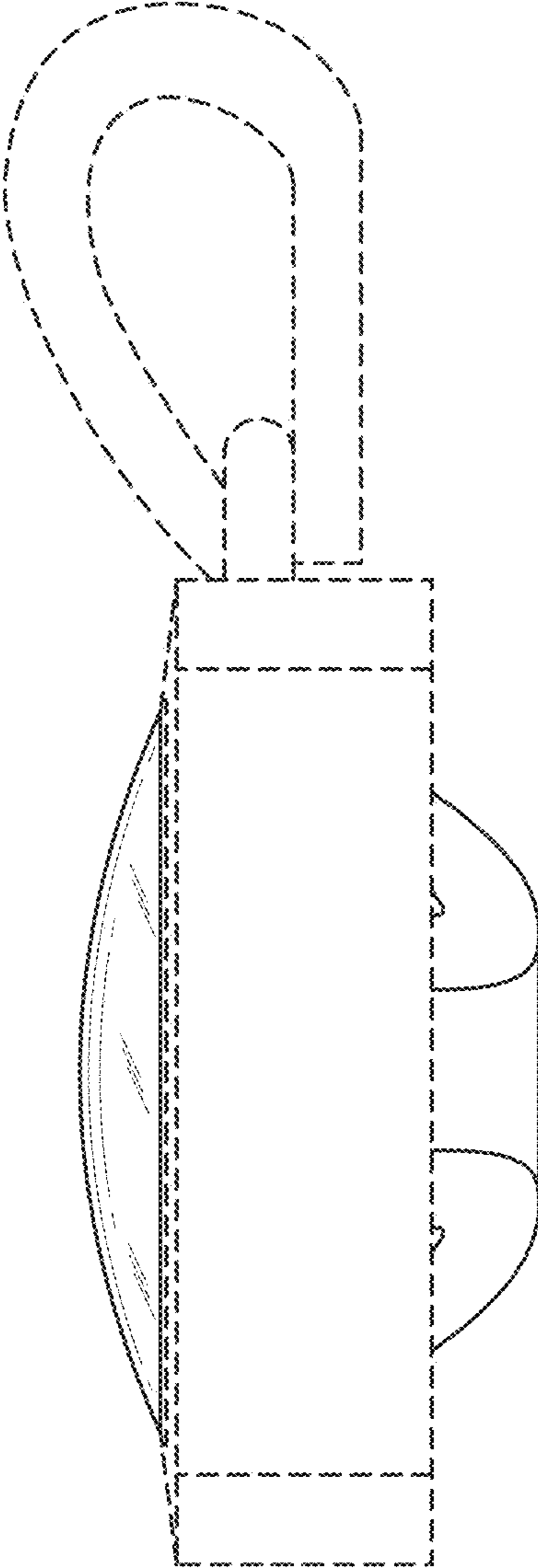


FIG. 3

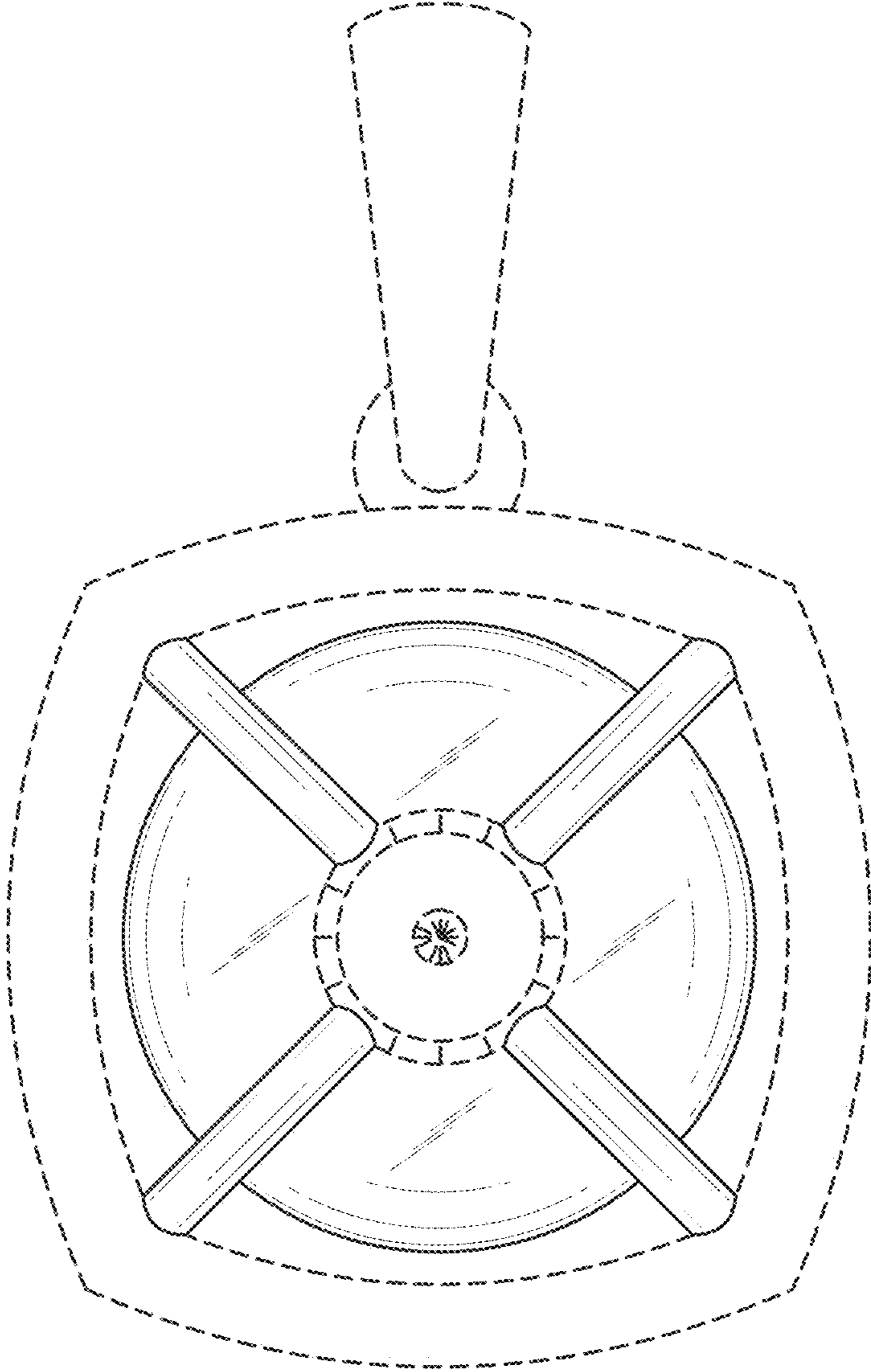


FIG. 4