



US00D941699S

(12) **United States Design Patent** (10) **Patent No.:** **US D941,699 S**
Dholakiya (45) **Date of Patent:** **** Jan. 25, 2022**

(54) **PRECIOUS STONE JEWELRY SETTING** 10,602,814 B1 * 3/2020 Dholakiya A44C 17/02
D891,977 S * 8/2020 Dholakiya D11/91
(71) Applicant: **H. K. Designs Inc.**, New York, NY D893,340 S * 8/2020 Zheng D11/42
(US) D899,964 S * 10/2020 Dholakiya D11/92
2001/0017040 A1 * 8/2001 Tseng A44C 25/001
(72) Inventor: **Hasmukh H. Dholakiya**, New York, 2004/0103689 A1 * 6/2004 Chia A44C 11/007
NY (US) 63/1.11
2005/0199004 A1 * 9/2005 Bernsen A44C 11/007
(73) Assignee: **H. K. DESIGNS INC.**, New York, NY 63/26
(US) 2007/0089457 A1 * 4/2007 Katz A44C 17/02
63/26
(**) Term: **15 Years** 2016/0066662 A1 * 3/2016 Rosenberg A44C 17/02
428/13
(21) Appl. No.: **29/698,005** 2016/0232439 A1 * 8/2016 Huynh A44C 17/02
2017/0172265 A1 * 6/2017 Leuz A44C 17/0283
(22) Filed: **Jul. 12, 2019** 2018/0000208 A1 * 1/2018 Bove A44C 17/04
(Continued)

Related U.S. Application Data

(62) Division of application No. 29/604,915, filed on May 22, 2017, now Pat. No. Des. 891,977.
(51) **LOC (13) Cl.** **11-01**
(52) **U.S. Cl.**
USPC **D11/91**
(58) **Field of Classification Search**
USPC D11/1, 2, 26-31, 34, 79, 91-92, 35-40
CPC . A44C 17/02; A44C 17/0275; A44C 17/0283;
A44C 17/0291; A44C 25/001; A44C
25/007; A44C 17/04
See application file for complete search history.

References Cited

U.S. PATENT DOCUMENTS

(56) 795,109 A * 7/1905 Dover A44C 17/02
63/26
4,435,963 A * 3/1984 Shigeru A44C 17/02
63/18
D306,707 S * 3/1990 Henry De Frahan D11/75
D311,356 S * 10/1990 De Frahan D11/79
D311,504 S * 10/1990 De Frahan D11/79
D860,036 S * 9/2019 Dholakiya D11/91

Primary Examiner — Llorelys Martinez
(74) *Attorney, Agent, or Firm* — Ostrolenk Faber LLP

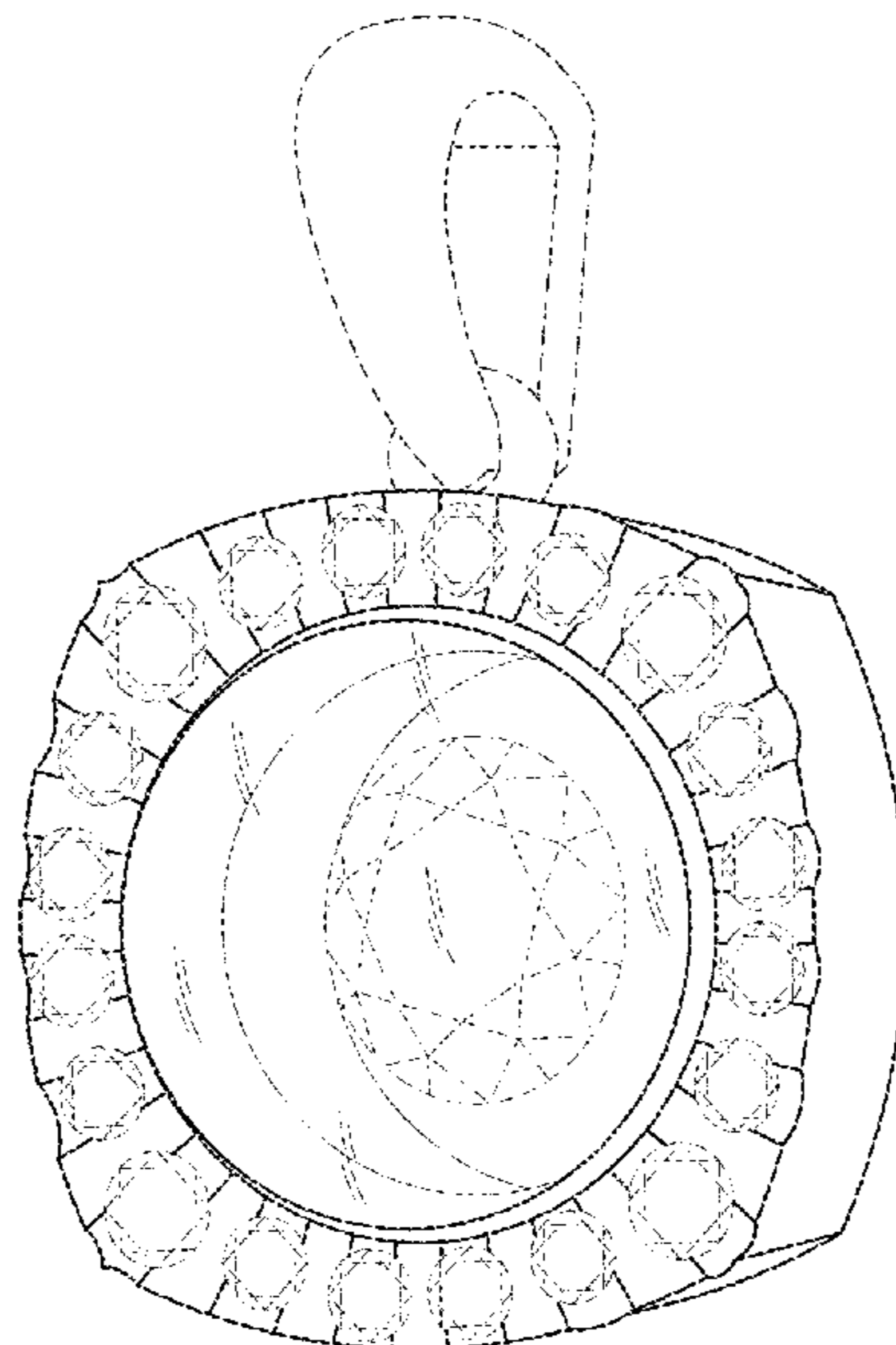
CLAIM

(57) The ornamental design for a precious stone jewelry setting, as shown and described.

DESCRIPTION

FIG. 1 is a perspective view of the precious stone jewelry setting showing my new design.
FIG. 2 is a front view of the precious stone jewelry setting of FIG. 1.
FIG. 3 is a rear perspective of the precious stone jewelry setting of FIG. 1.
FIG. 4 is a right side elevation view of FIG. 1, the left side elevation view being a mirror image thereof.
FIG. 5 is a cross-sectional view thereof, taken along lines 5-5 in FIG. 2; and,
FIG. 6 is a rear view of FIG. 1.
The broken lines in the drawings illustrate portion of the precious stone jewelry setting that form no part of the claimed design.

1 Claim, 6 Drawing Sheets



(56)

References Cited

U.S. PATENT DOCUMENTS

2018/0070686 A1* 3/2018 de Cezaro A44C 17/02
2021/0137228 A1* 5/2021 Dholakiya A44C 17/04

* cited by examiner

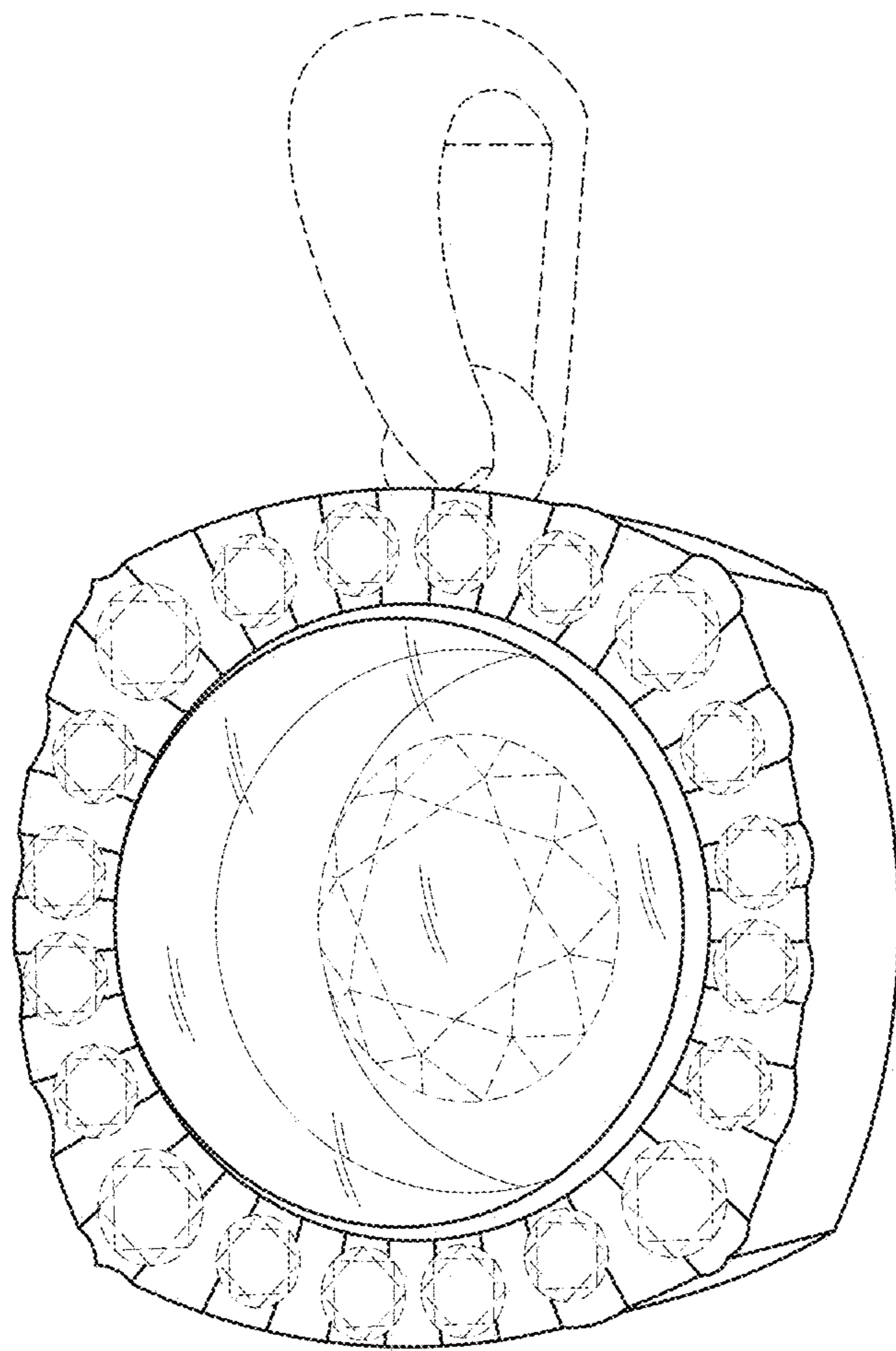


FIG. 1

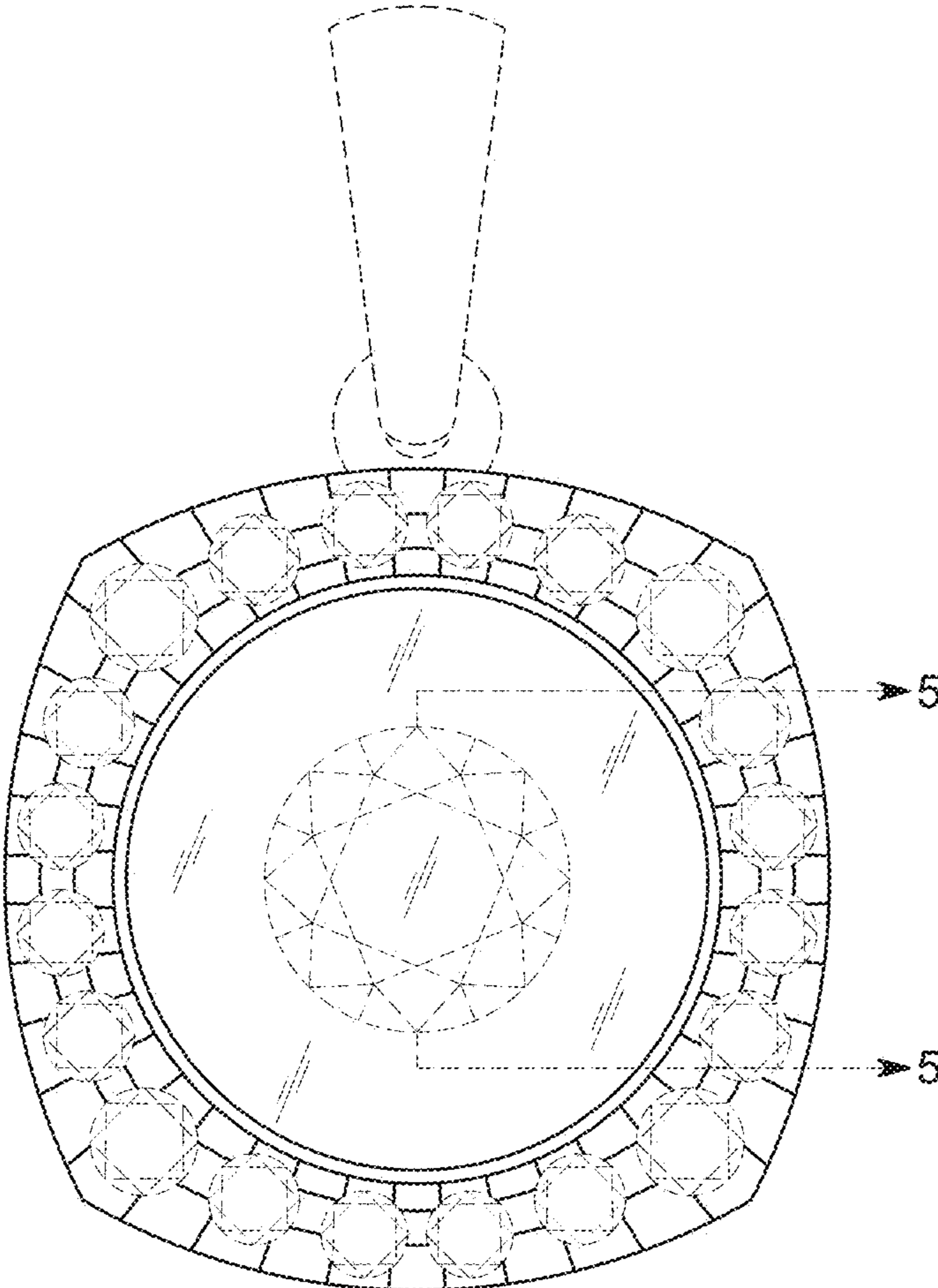


FIG. 2

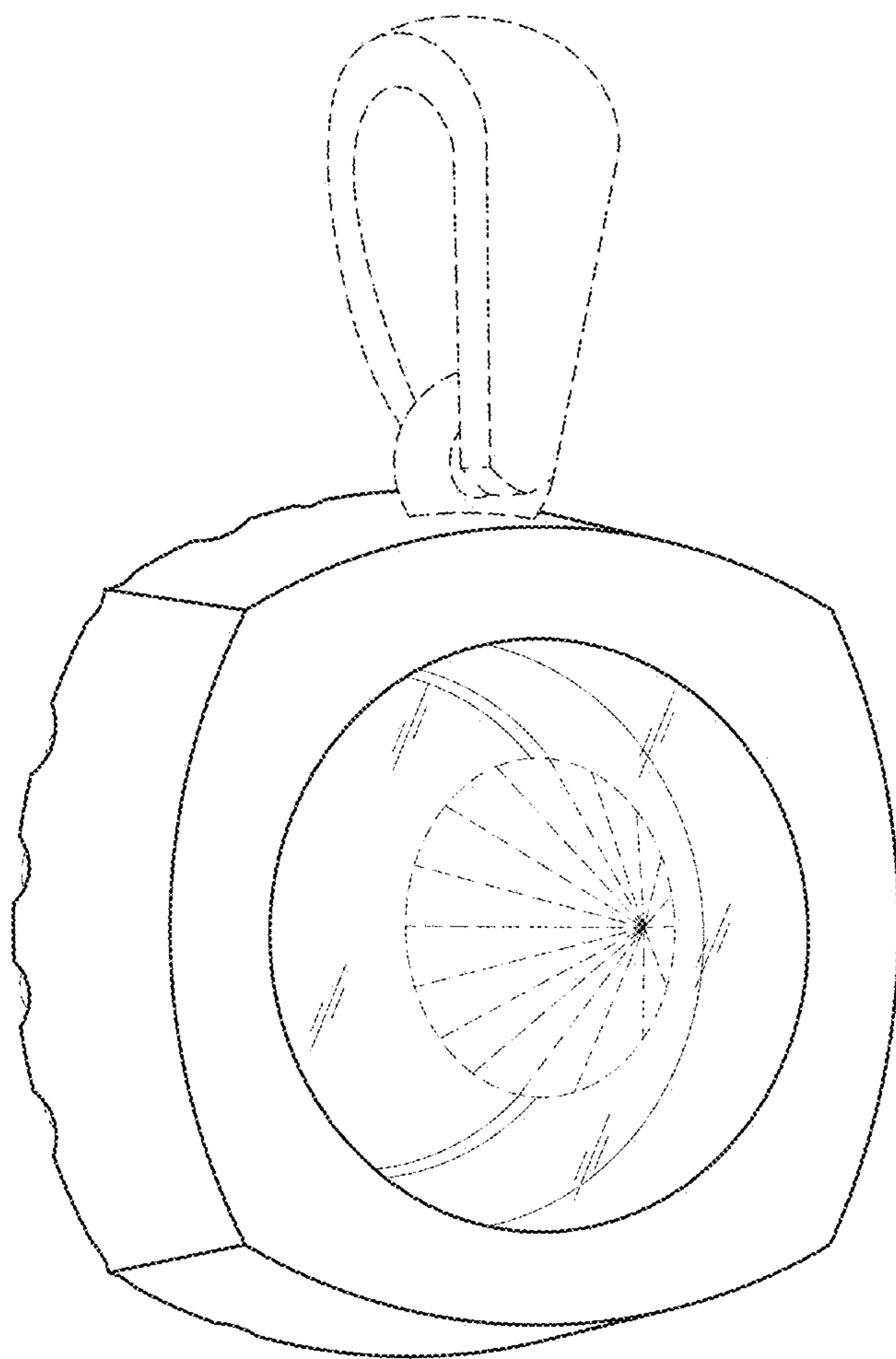


FIG. 3

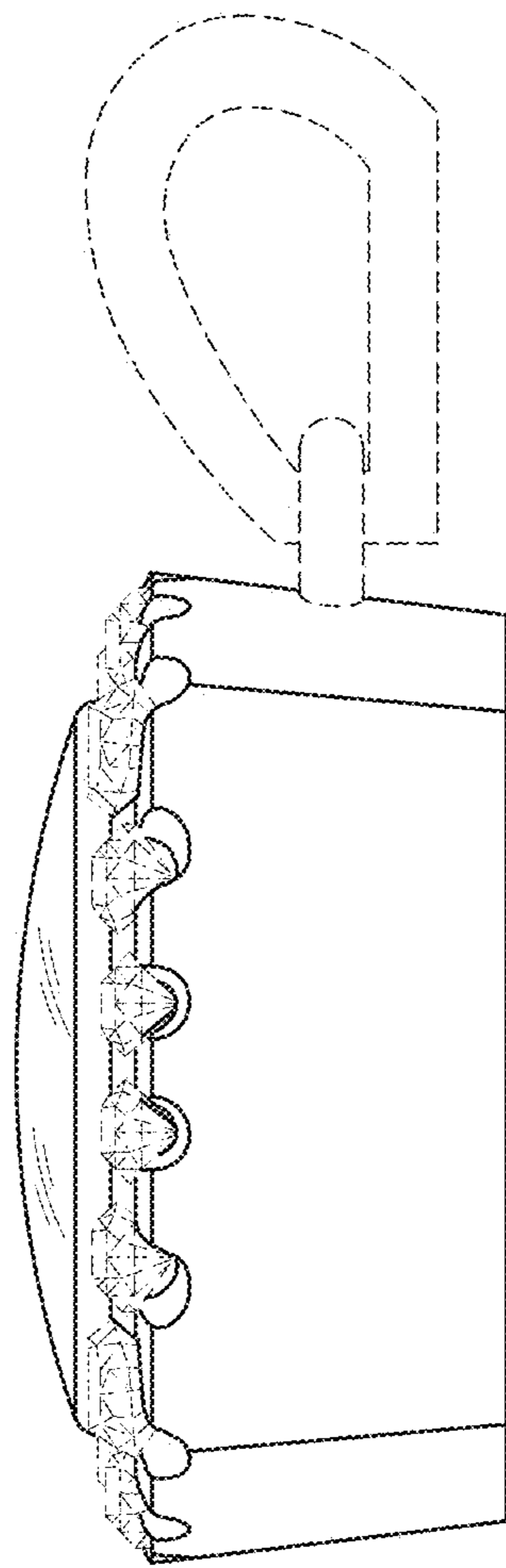


FIG. 4

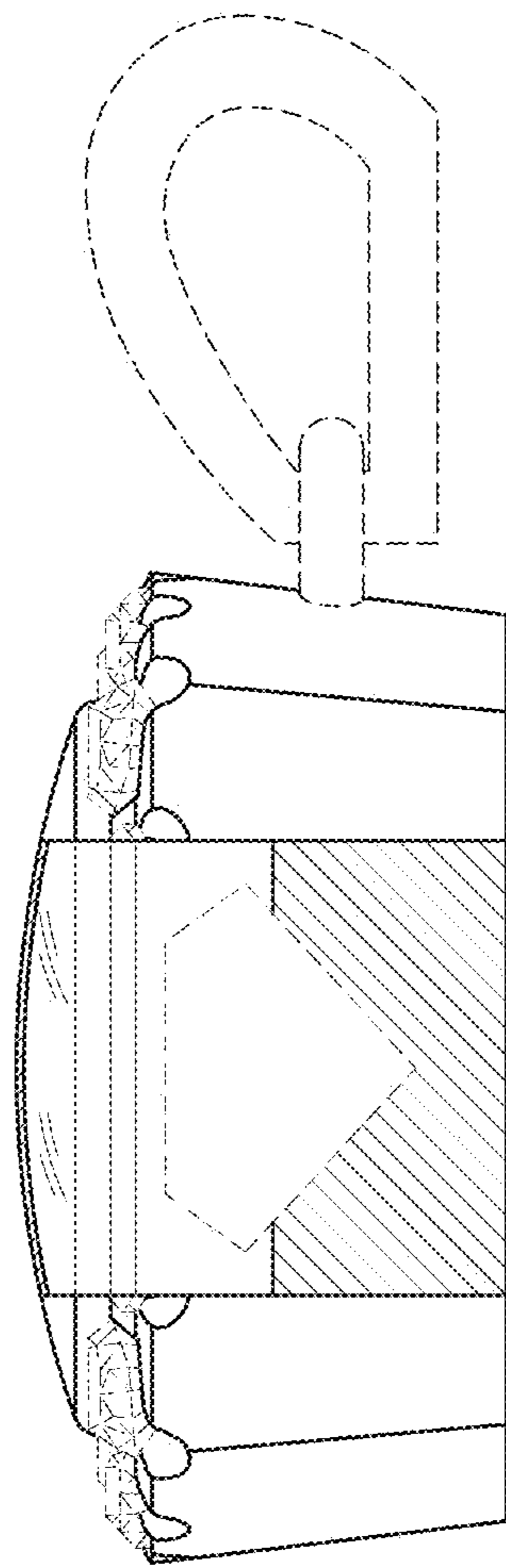


FIG. 5

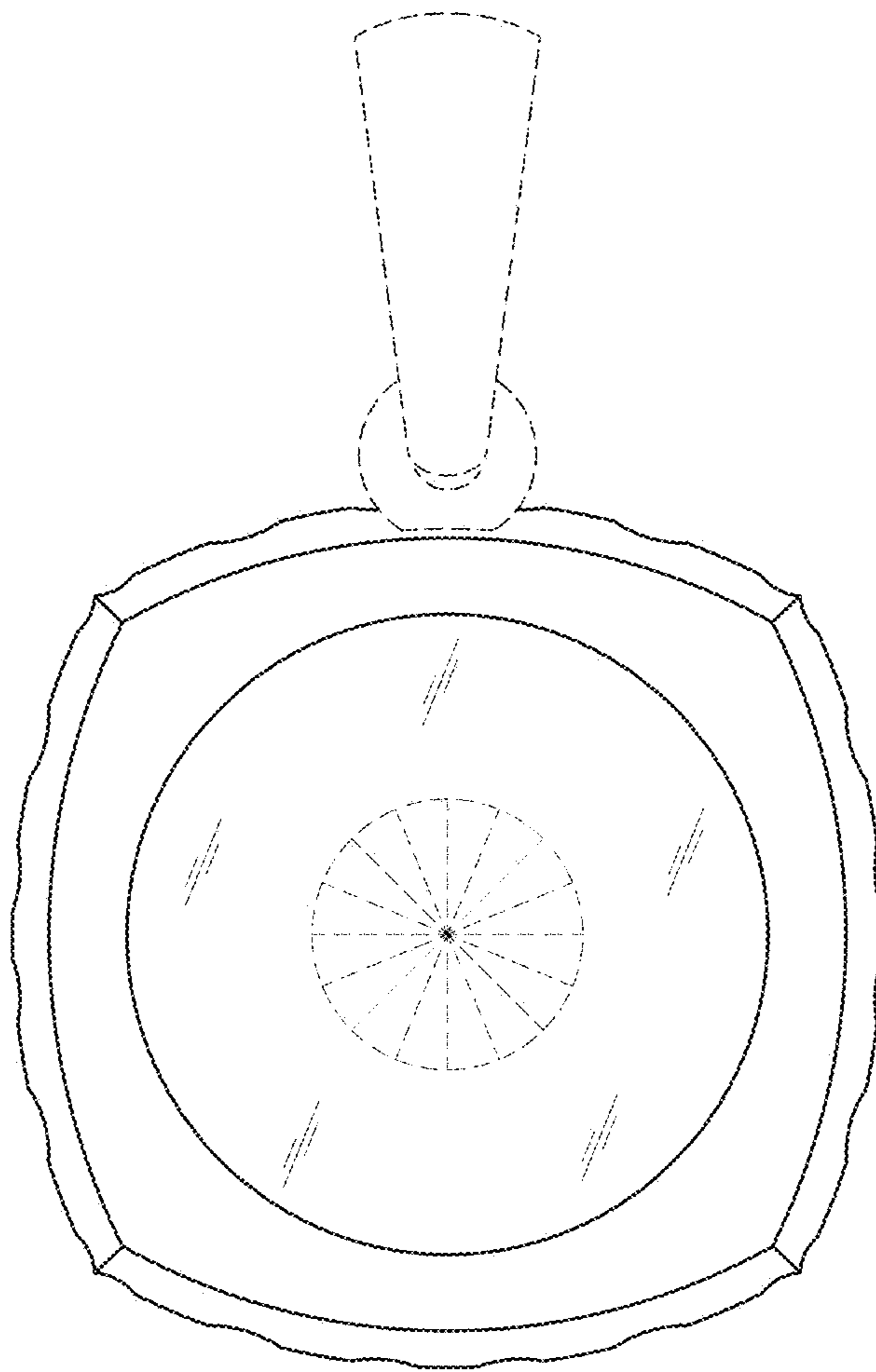


FIG. 6