



US00D941695S

(12) **United States Design Patent**
Lyons et al.

(10) **Patent No.:** **US D941,695 S**
(45) **Date of Patent:** **** Jan. 25, 2022**

- (54) **DOME FOR LIGHTBAR**
- (71) Applicant: **Whelen Engineering Company, Inc.**,
Chester, CT (US)
- (72) Inventors: **Jon H. Lyons**, Haddam, CT (US);
William J. Pokorny, East Haddam, CT
(US)
- (73) Assignee: **Whelen Engineering Company, Inc.**,
Chester, CT (US)

- D553,789 S * 10/2007 Akinrele D26/118
- D593,428 S * 6/2009 Lyons D10/114.4
- D603,740 S * 11/2009 Lyons D10/114.4
- D729,095 S * 5/2015 Chiang D10/114.4
- D800,367 S * 10/2017 Ladnier D26/76
- D832,125 S * 10/2018 Goltche D10/114.4
- D870,585 S * 12/2019 Lyons D10/114.4
- D870,586 S * 12/2019 Lyons D10/114.4
- 10,598,371 B2 * 3/2020 Lyons B60Q 1/46
- D893,333 S * 8/2020 Lyons D10/114.4
- D898,983 S * 10/2020 Lyons D26/118

* cited by examiner

(**) Term: **15 Years**

Primary Examiner — George D. Kirschbaum
(74) *Attorney, Agent, or Firm* — Alix, Yale & Ristas,
LLP

(21) Appl. No.: **29/702,375**

(22) Filed: **Aug. 19, 2019**

(57) **CLAIM**

Related U.S. Application Data

The ornamental design for the dome for a lightbar, as shown and described.

(62) Division of application No. 29/622,870, filed on Oct. 20, 2017, now Pat. No. Des. 870,586.

(51) **LOC (13) Cl.** **10-05**

DESCRIPTION

(52) **U.S. Cl.**
USPC **D10/114.4**

FIG. 1 is a perspective view of an embodiment of a dome for a lightbar showing our new design;
FIG. 2 is a front view of the dome for a lightbar of FIG. 2, the rear view being a mirror image thereof;
FIG. 3 is a top view, looking down at the dome for a lightbar of FIG. 1; and,
FIG. 4 is a right end view of the dome for a lightbar of FIG. 1.

(58) **Field of Classification Search**
USPC D10/114.4–114.5; D26/72, 75–76
CPC B60Q 1/2611
See application file for complete search history.

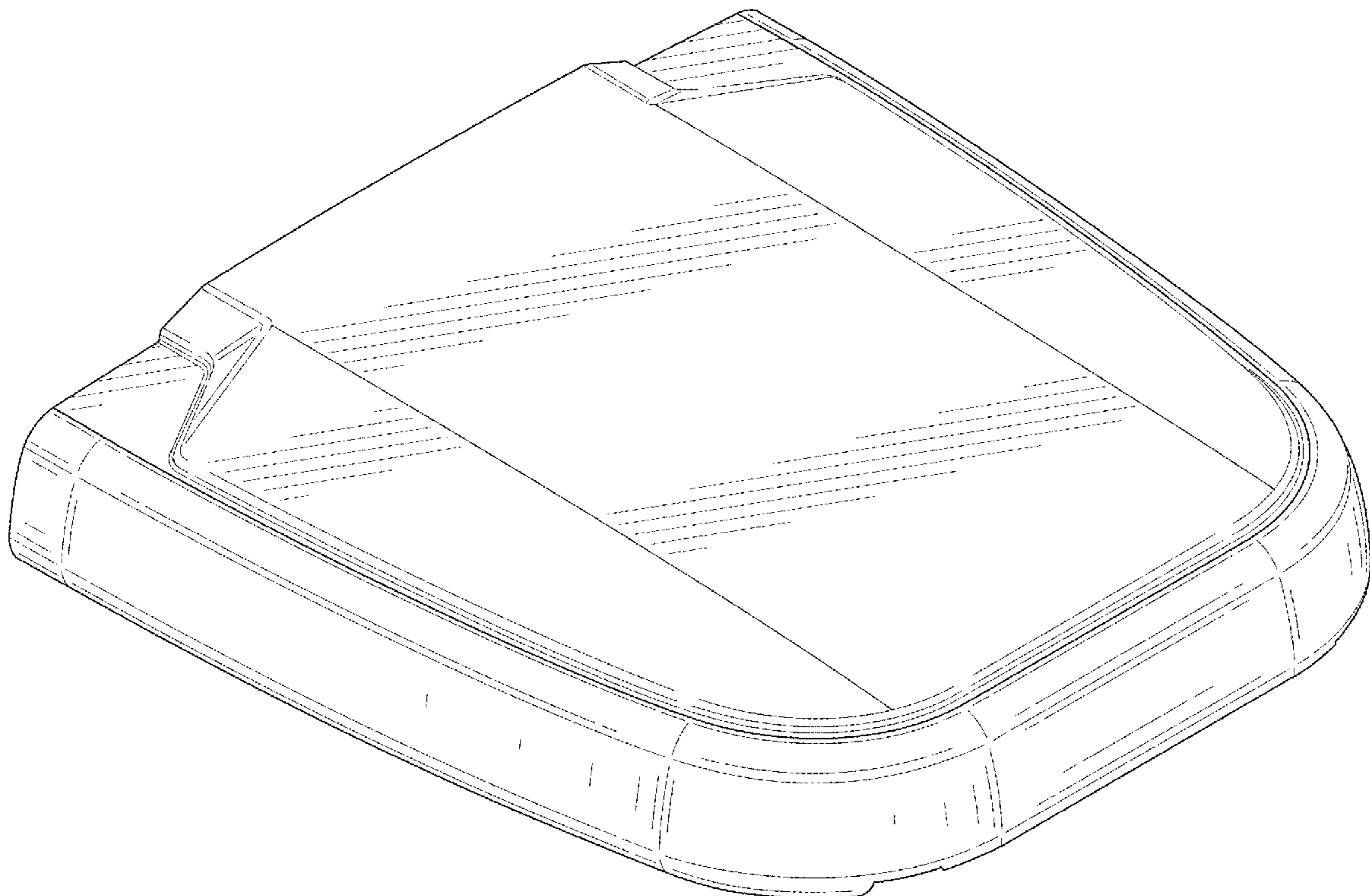
No claim is made to a left end view or a bottom view of the embodiment of a dome for a lightbar disclosed herein.

(56) **References Cited**

U.S. PATENT DOCUMENTS

- D432,038 S * 10/2000 Sasaki D10/114.4
- D432,444 S * 10/2000 Sasaki D10/114.4

1 Claim, 4 Drawing Sheets



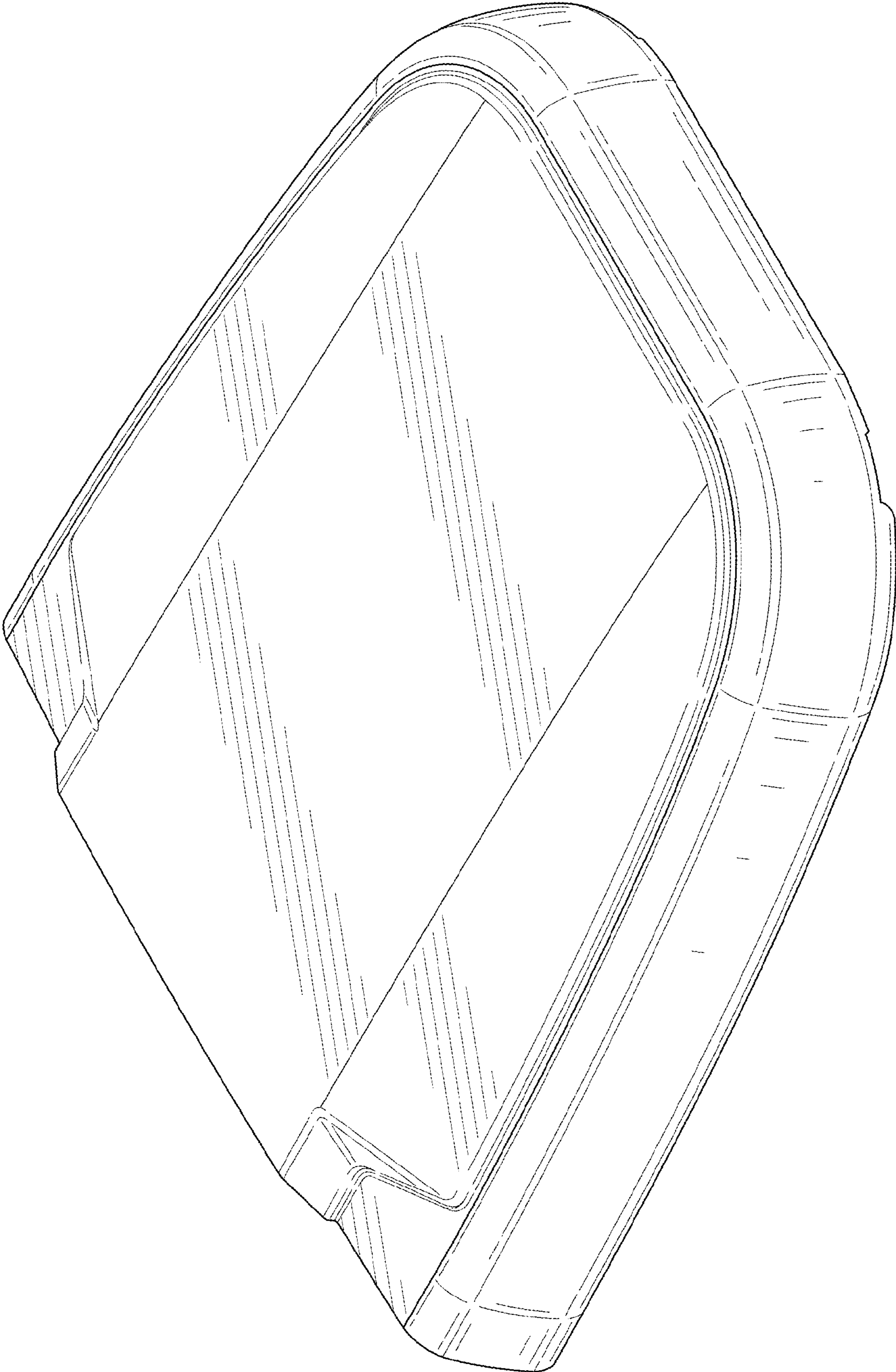


FIG. 1

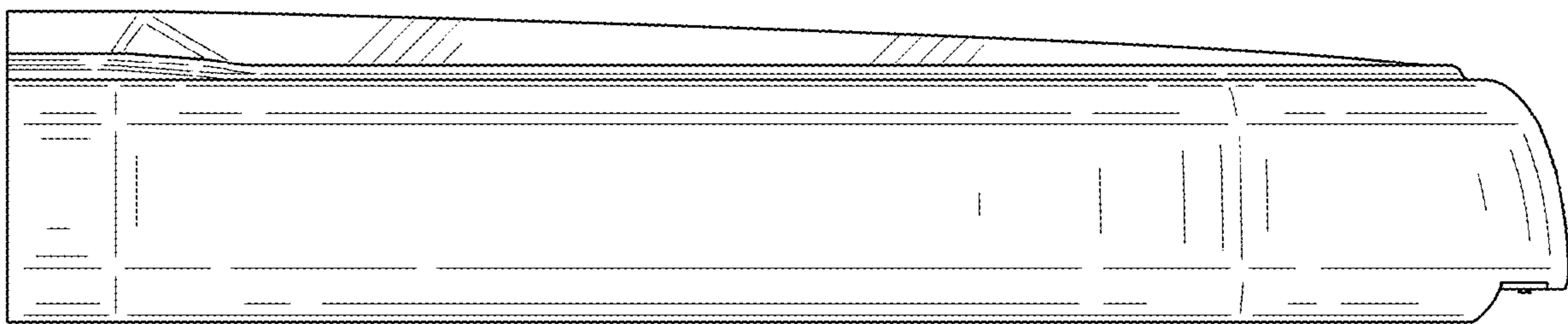


FIG. 2

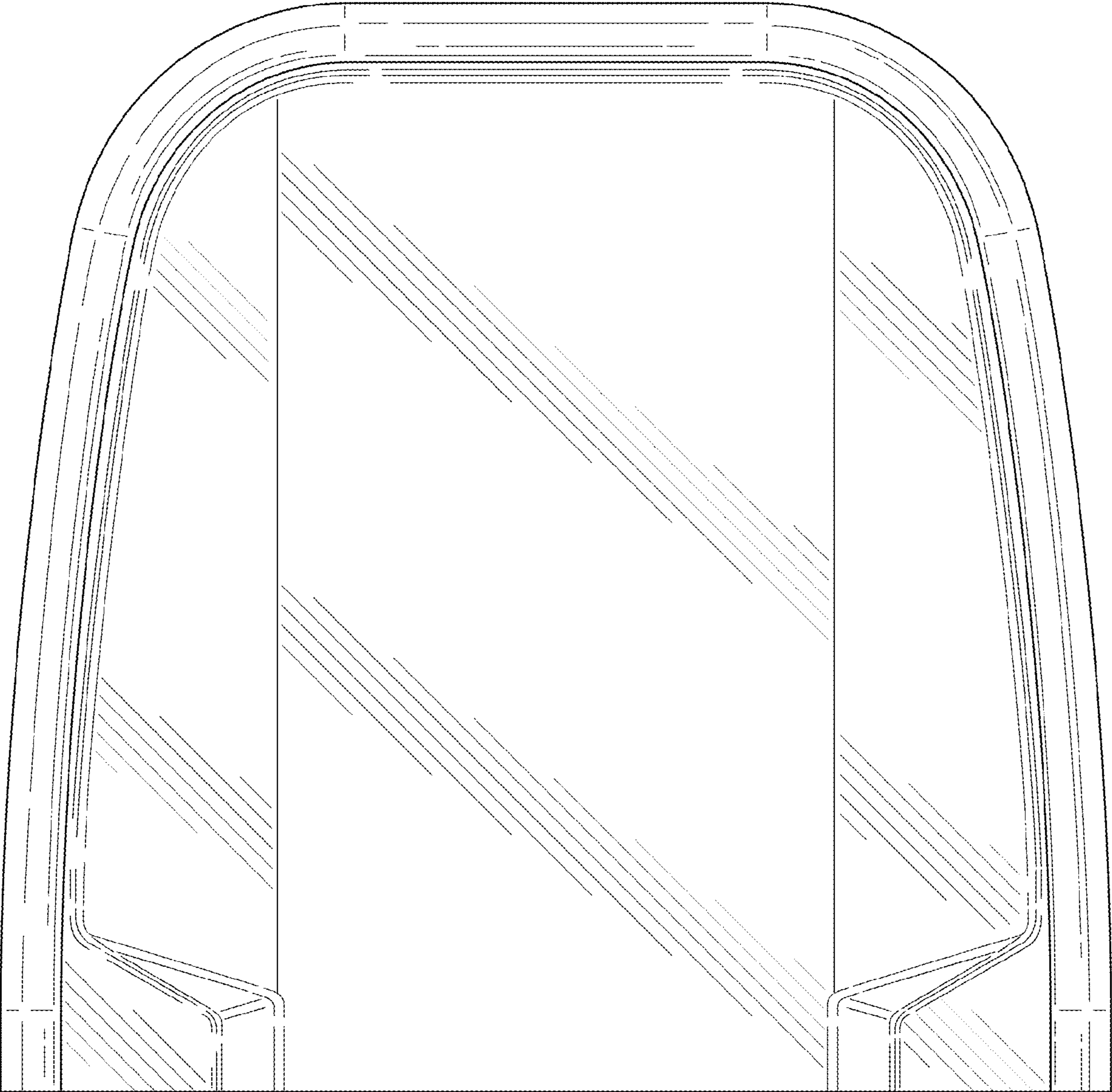


FIG. 3

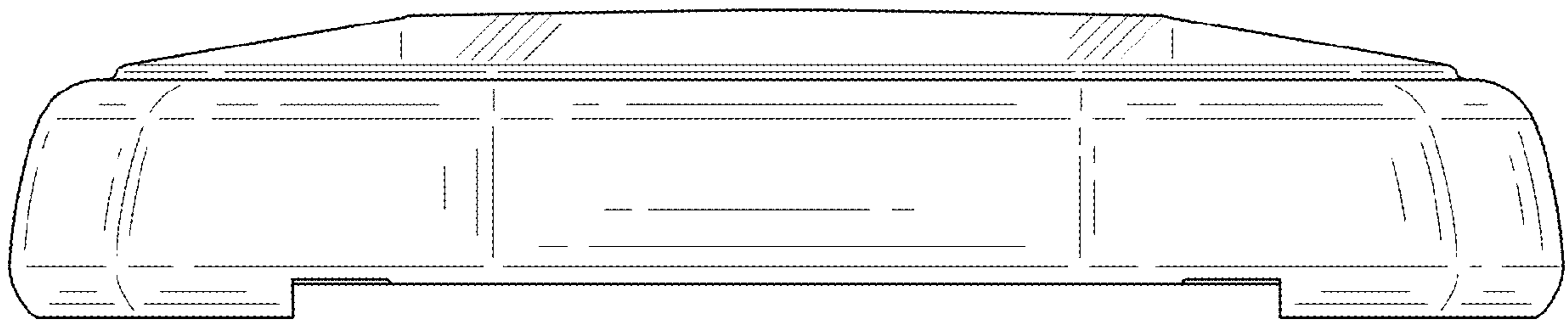


FIG. 4