

US00D941691S

(12) **United States Design Patent**
Wang

(10) **Patent No.:** **US D941,691 S**
(45) **Date of Patent:** **** Jan. 25, 2022**

(54) **CALIBRATION SUPPORT MOUNT**

(71) Applicant: **AUTEL INTELLIGENT TECHNOLOGY CORP., LTD.,**
Guangdong (CN)

(72) Inventor: **Yongshuai Wang,** Guangdong (CN)

(73) Assignee: **AUTEL INTELLIGENT TECHNOLOGY CORP., LTD.,**
Shenzhen (CN)

(**) Term: **15 Years**

(21) Appl. No.: **29/734,575**

(22) Filed: **May 13, 2020**

(30) **Foreign Application Priority Data**

Nov. 14, 2019 (CN) 201930627268.1

(51) **LOC (13) Cl.** **10-04**

(52) **U.S. Cl.**
USPC **D10/103**

(58) **Field of Classification Search**
USPC D10/46, 60, 70, 80, 90, 92, 94, 95, 103;
D15/122, 141, 199; D24/232
CPC G01S 7/4052; G01S 7/4008; G01S 7/4021;
G01S 7/4056; G01S 7/4972; G01S
13/931
See application file for complete search history.

(56) **References Cited**

U.S. PATENT DOCUMENTS

D250,512 S * 12/1978 Rips D10/64
D582,301 S * 12/2008 Shaw D10/64

D662,430 S * 6/2012 Hagmann D10/80
D747,225 S * 1/2016 Decook D10/60
D794,787 S * 8/2017 Kheradpir D24/140
D861,511 S * 10/2019 Cai D10/65
D874,965 S * 2/2020 Siminoff D10/121
D881,051 S * 4/2020 Cai D10/103
D881,052 S * 4/2020 Cai D10/103
D883,110 S * 5/2020 Cai D10/70
D883,111 S * 5/2020 Cai D10/70
D883,112 S * 5/2020 Cai D10/70
D904,218 S * 12/2020 Kousik D10/121

* cited by examiner

Primary Examiner — Michael C Stout
Assistant Examiner — Fritzgerald L Butac

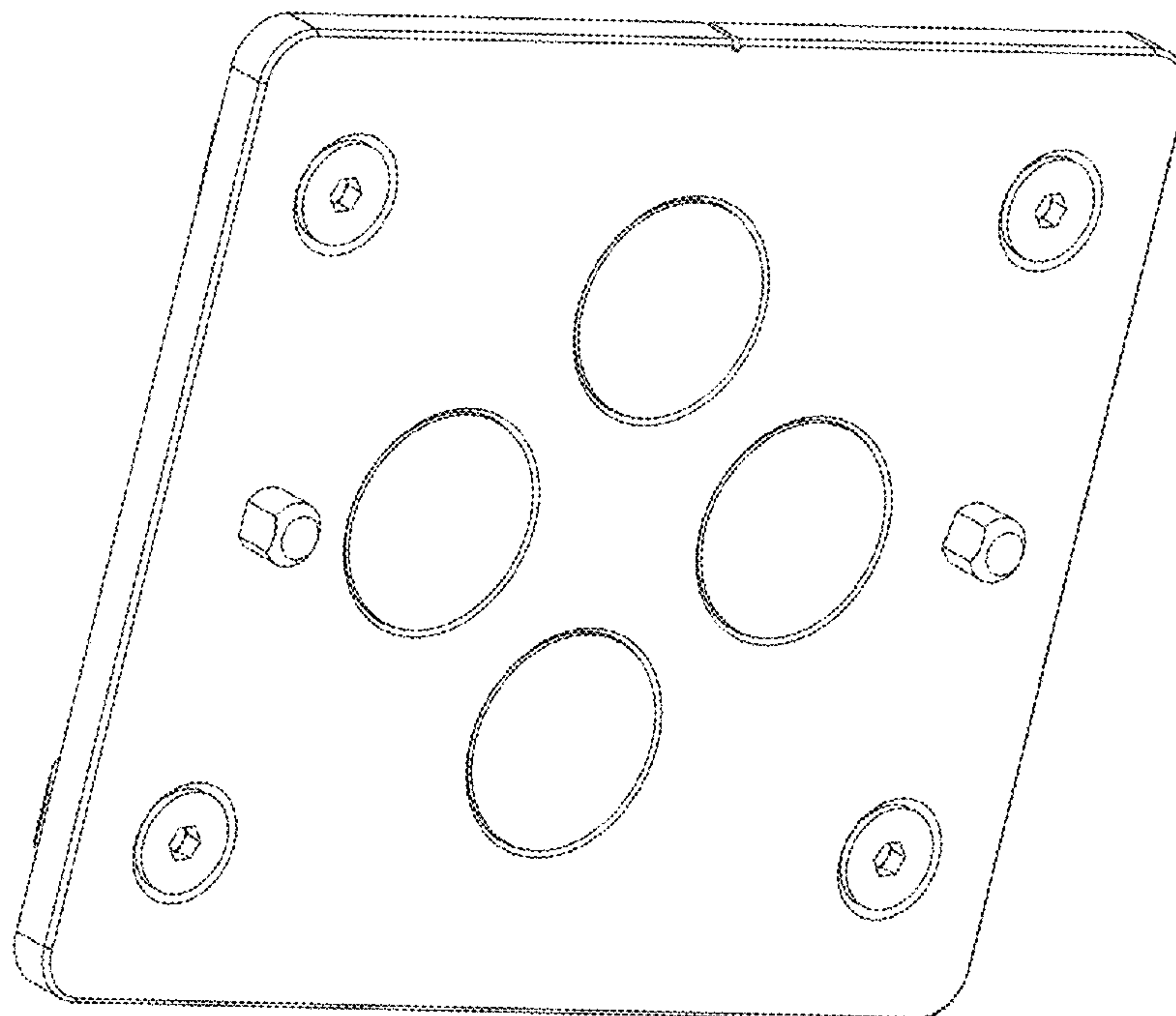
(57) **CLAIM**

I claim the ornamental design for a calibration support mount, as shown and described.

DESCRIPTION

FIG. 1 is a front elevational view of a calibration support mount showing my new design;
FIG. 2 is a back elevational view thereof;
FIG. 3 is a left side elevational view thereof;
FIG. 4 is a right side elevational view thereof;
FIG. 5 is a top plan view thereof;
FIG. 6 is a bottom plan view thereof; and,
FIG. 7 is a perspective view thereof.
The broken lines show portions of the calibration support mount forming no part of the claimed design.

1 Claim, 5 Drawing Sheets



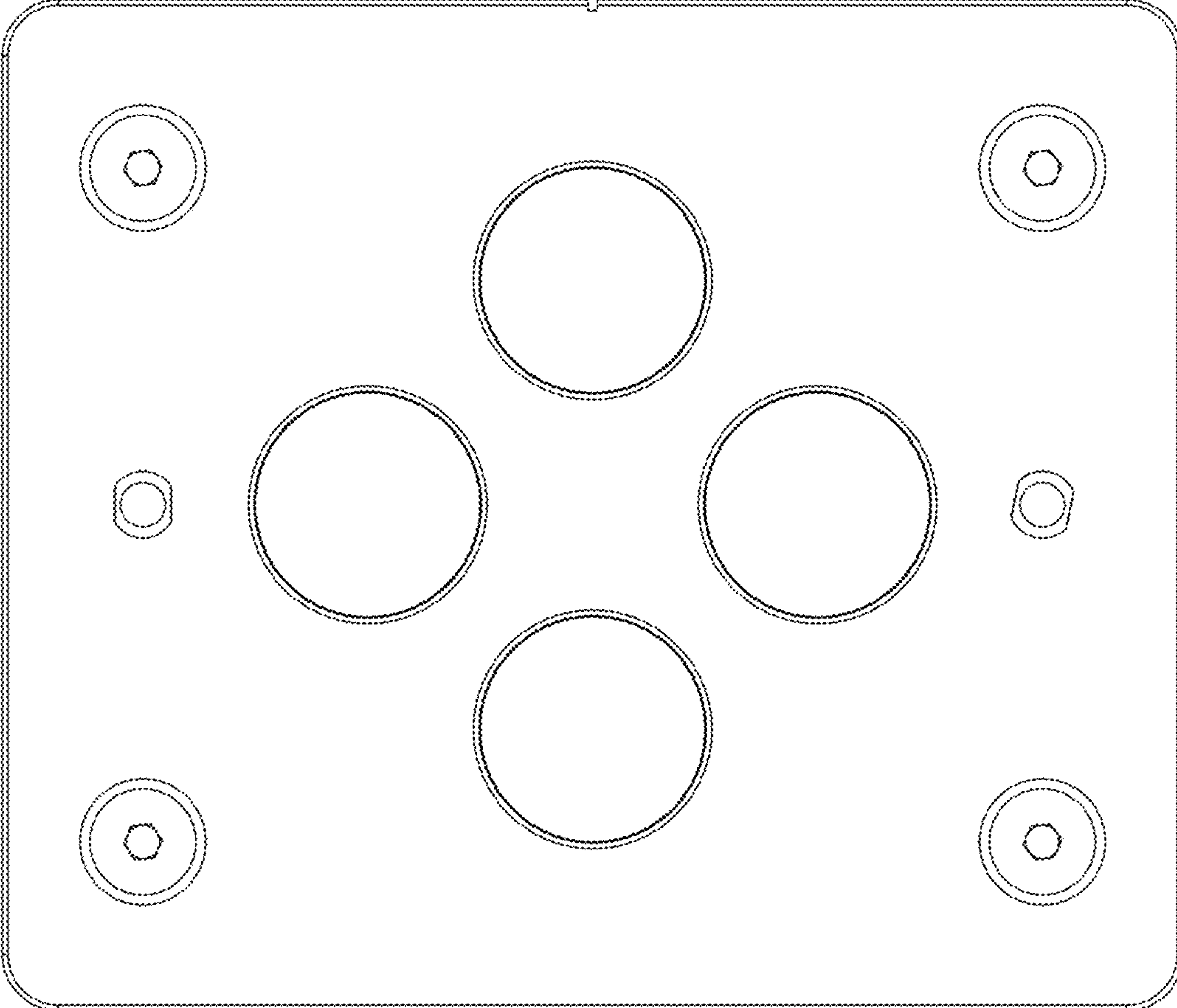


FIG. 1

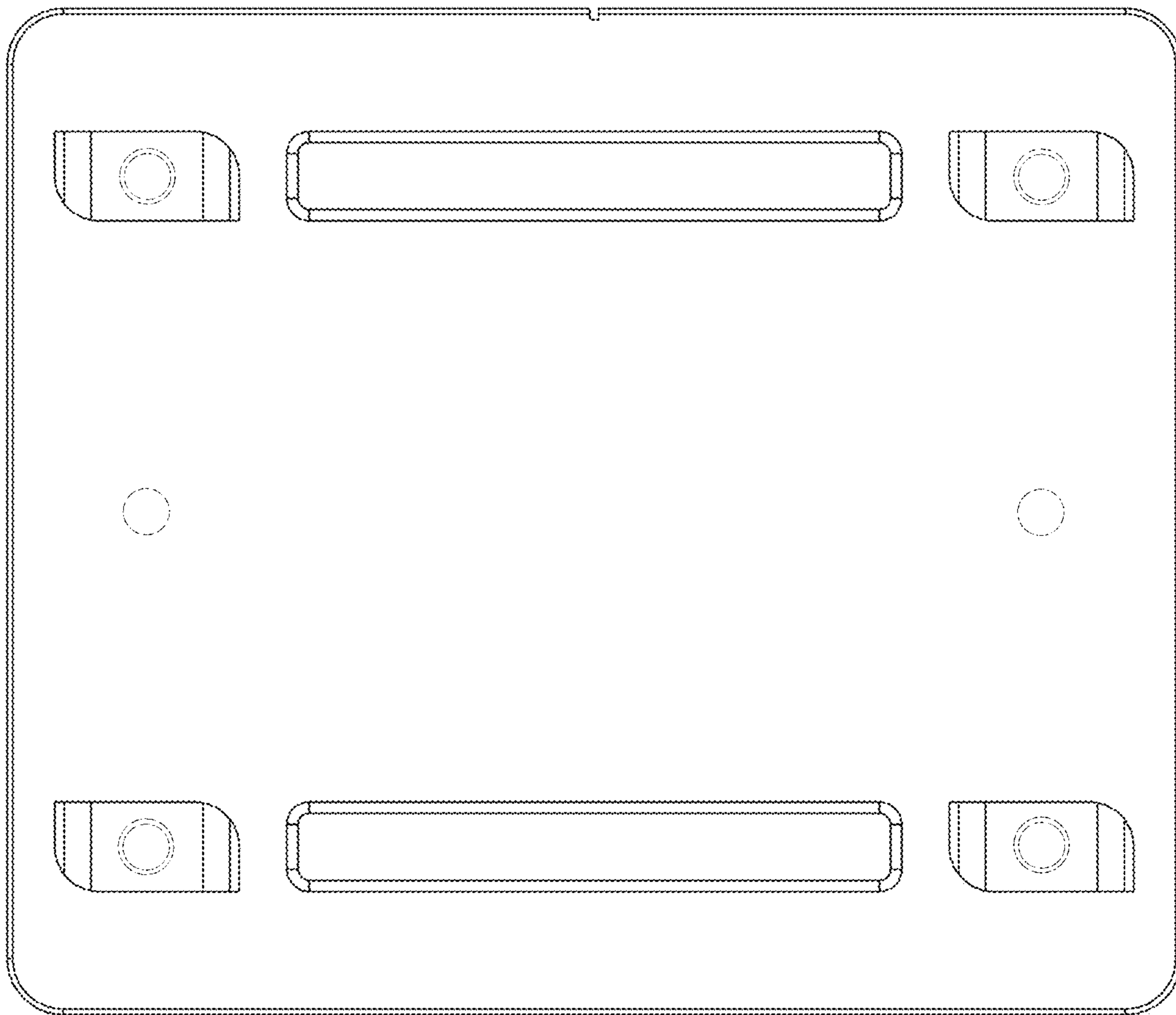


FIG.2

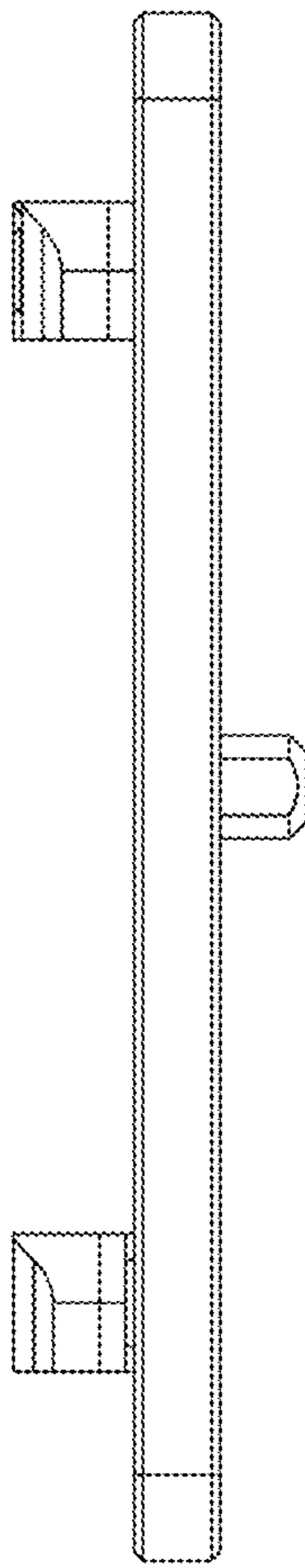


FIG.3

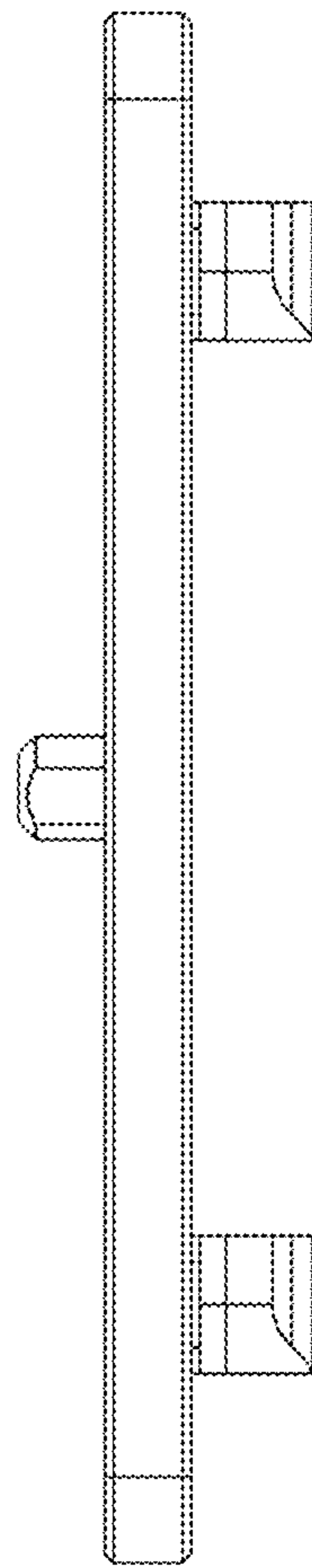


FIG. 4

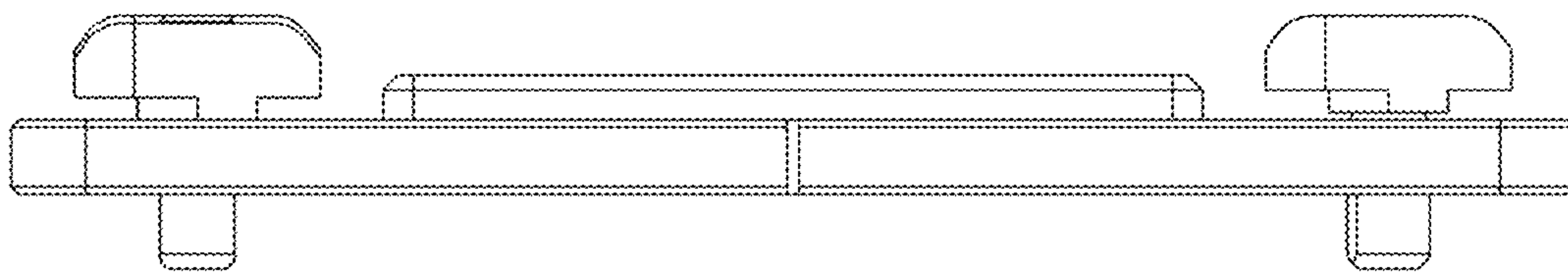


FIG. 5

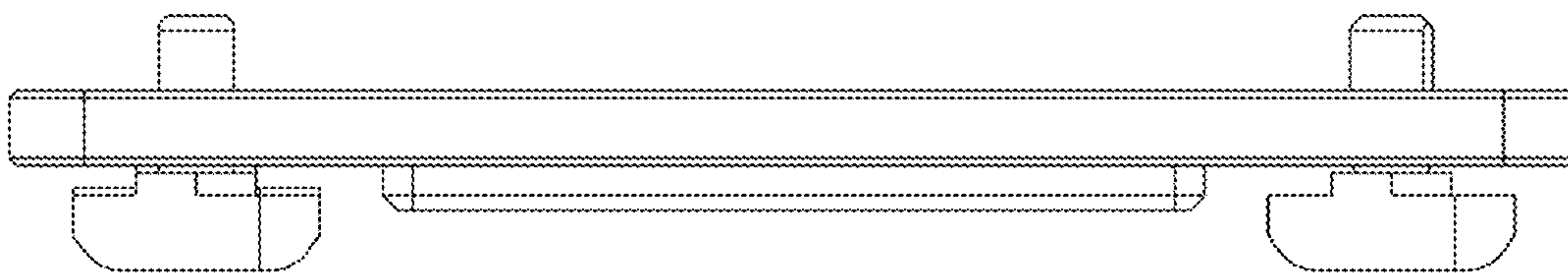


FIG. 6

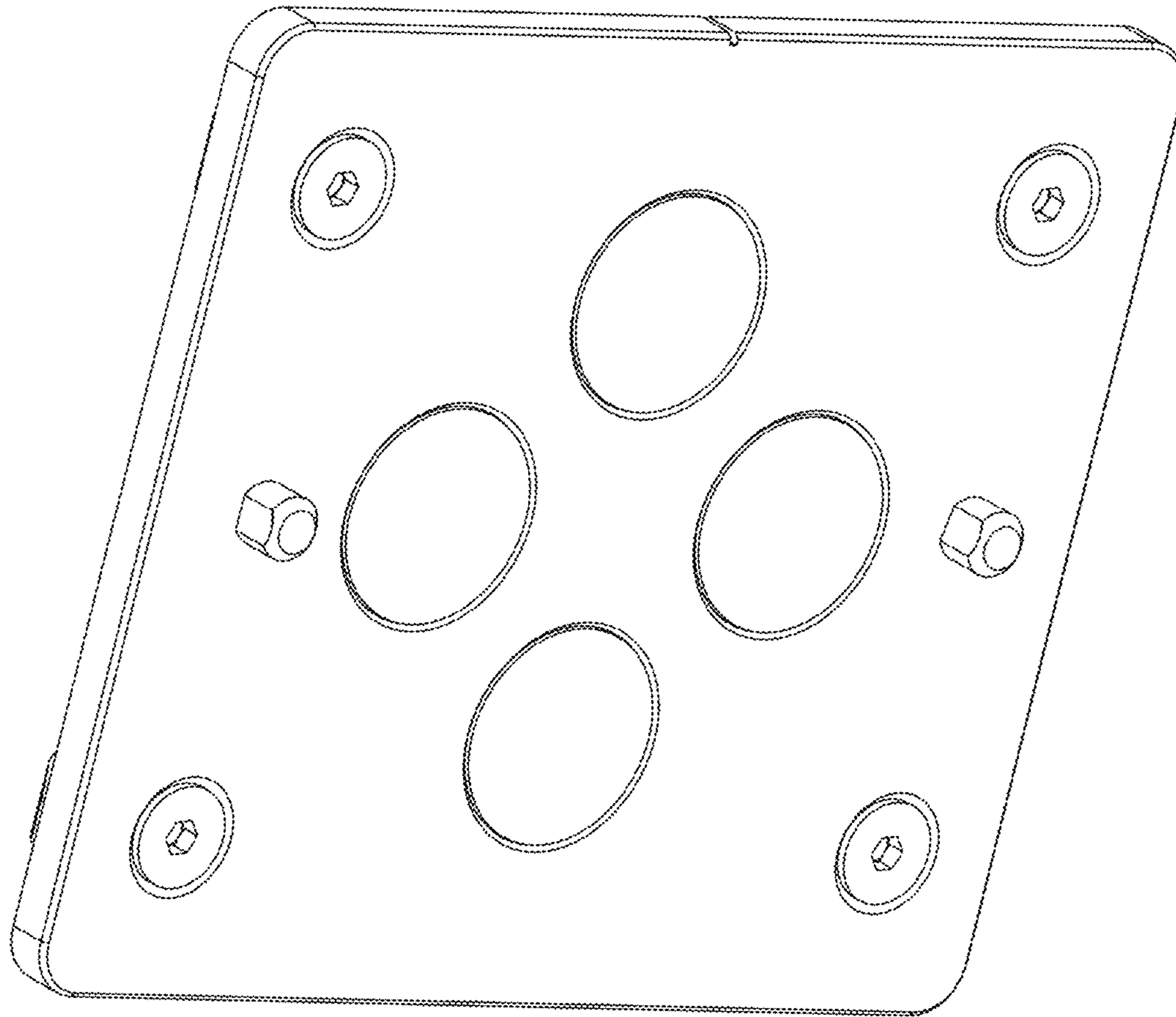


FIG.7