



US00D941690S

(12) **United States Design Patent**
Fraze et al.

(10) **Patent No.:** **US D941,690 S**
(45) **Date of Patent:** **** Jan. 25, 2022**

- (54) **METER**
- (71) Applicant: **Sensus Spectrum, LLC**, Morrisville, NC (US)
- (72) Inventors: **Eric Fraze**, Holly Springs, NC (US);
Anup Nandwana, Goleta, CA (US);
Kevin Long, DuBois, PA (US)
- (73) Assignee: **Sensus Spectrum, LLC**, Morrisville, NC (US)
- (**) Term: **15 Years**
- (21) Appl. No.: **29/709,330**
- (22) Filed: **Oct. 14, 2019**
- (51) **LOC (13) Cl.** **10-04**
- (52) **U.S. Cl.**
USPC **D10/99**
- (58) **Field of Classification Search**
USPC D10/99
CPC G01F 1/662; G01F 3/225; G01F 15/14
See application file for complete search history.

- 6,453,757 B1 * 9/2002 Montag G01F 1/662
73/861.28
- 10,197,432 B2 * 2/2019 Mo G01F 23/363
- D882,436 S * 4/2020 Fraze G01F 15/14
D10/99
- 10,656,000 B2 * 5/2020 Kobayashi G01F 15/18
- 10,982,789 B2 * 4/2021 Heizenroeder G01F 15/14

* cited by examiner

Primary Examiner — Antoine Duval Davis
(74) *Attorney, Agent, or Firm* — Stanek Lemon Crouse & Meeks, PA

(57) **CLAIM**

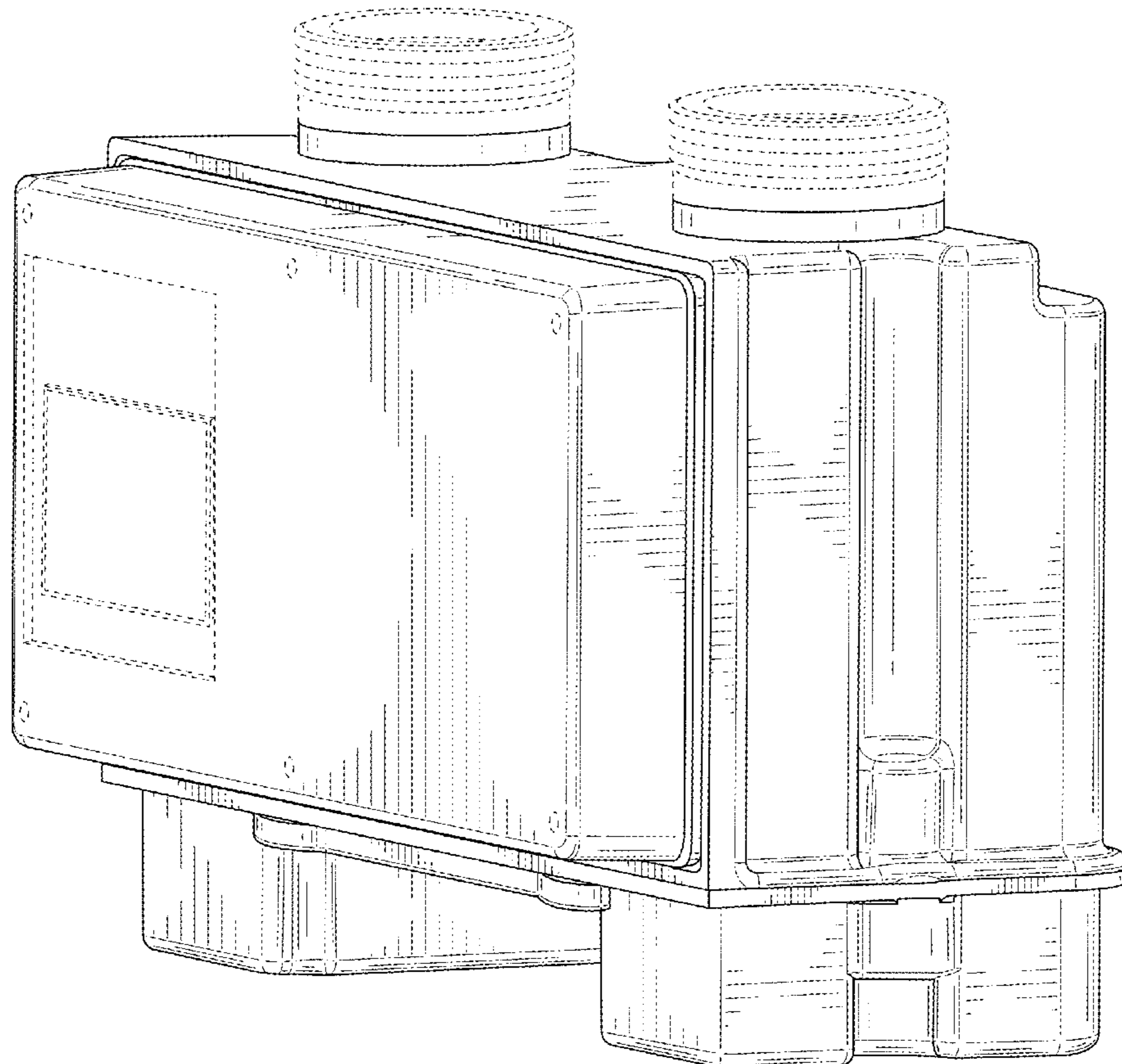
The ornamental design for a meter, as shown and described.

DESCRIPTION

FIG. 1 is a front perspective view of an exterior of a meter showing our design;
FIG. 2 is a front view thereof;
FIG. 3 back view, opposite the front view thereof;
FIG. 4 is a first side view thereof;
FIG. 5 is second side view thereof, opposite that shown in FIG. 4;
FIG. 6 is a top view of the meter; and,
FIG. 7 is a bottom view thereof.
The broken lines shown in the figures depict environment that form no part of the claimed design.

1 Claim, 7 Drawing Sheets

- (56) **References Cited**
U.S. PATENT DOCUMENTS
5,257,538 A * 11/1993 Spendell G01F 15/005
73/198
D415,440 S * 10/1999 Beadsworth G01F 15/005
D10/99



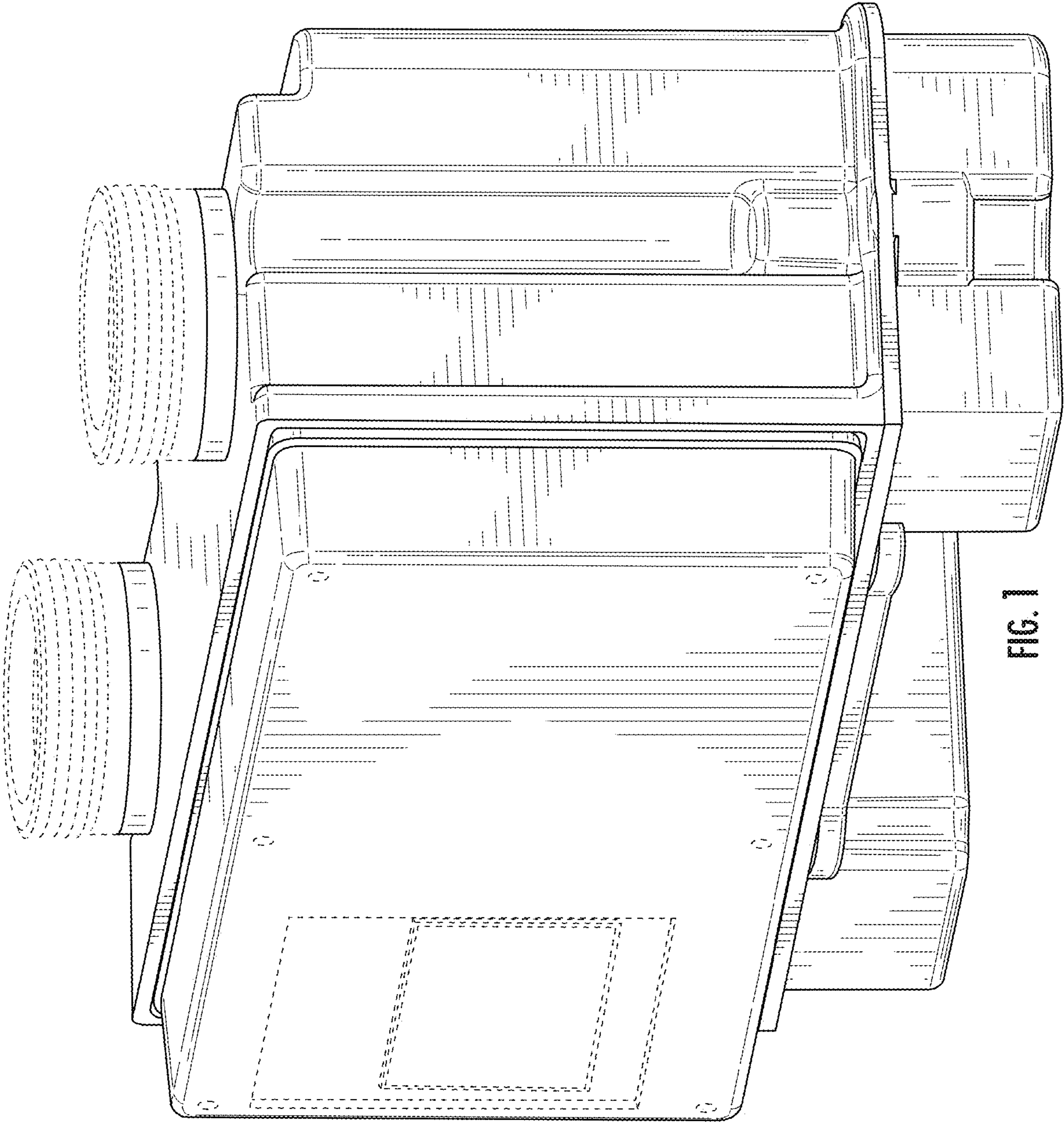


FIG. 1

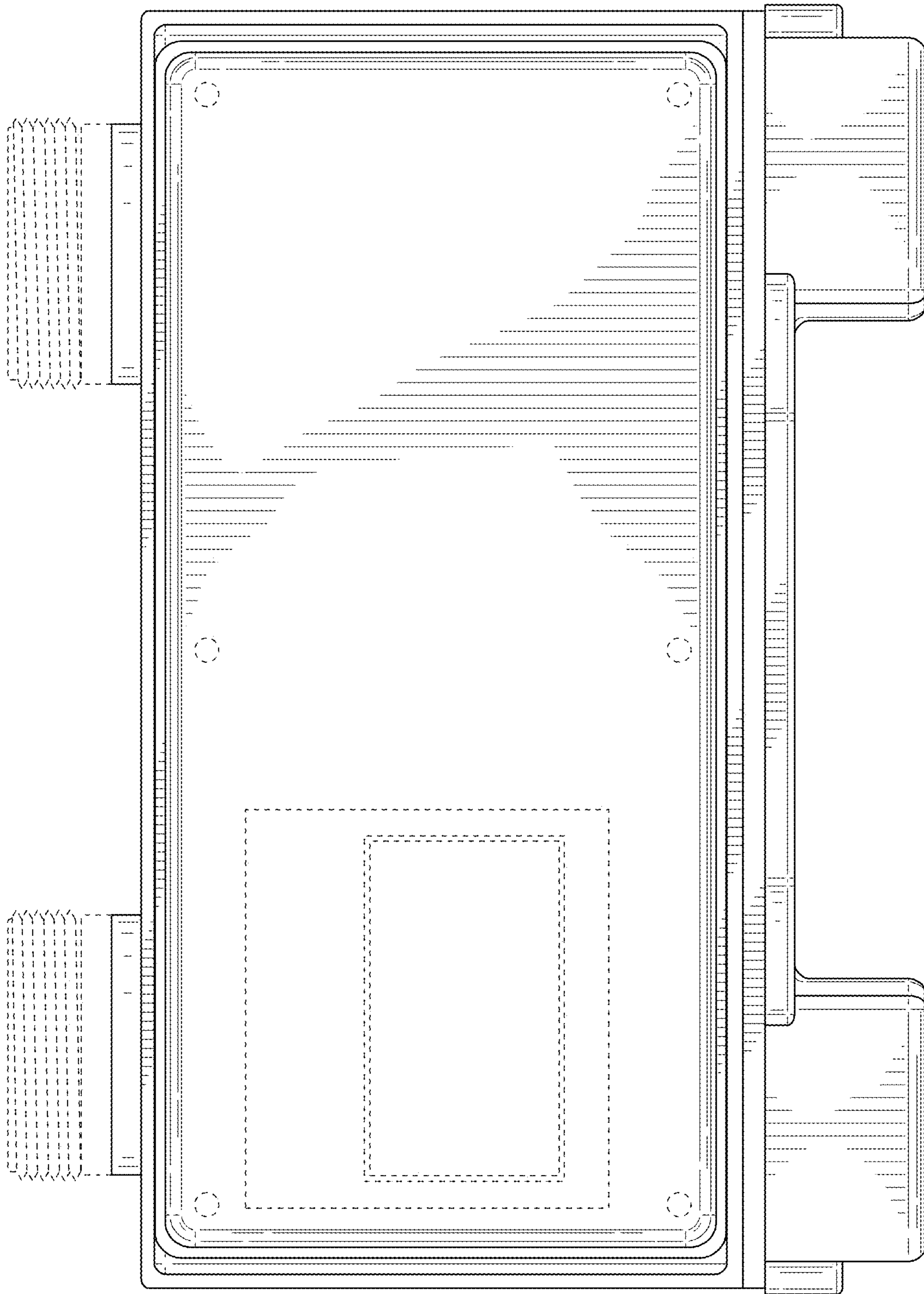


FIG. 2

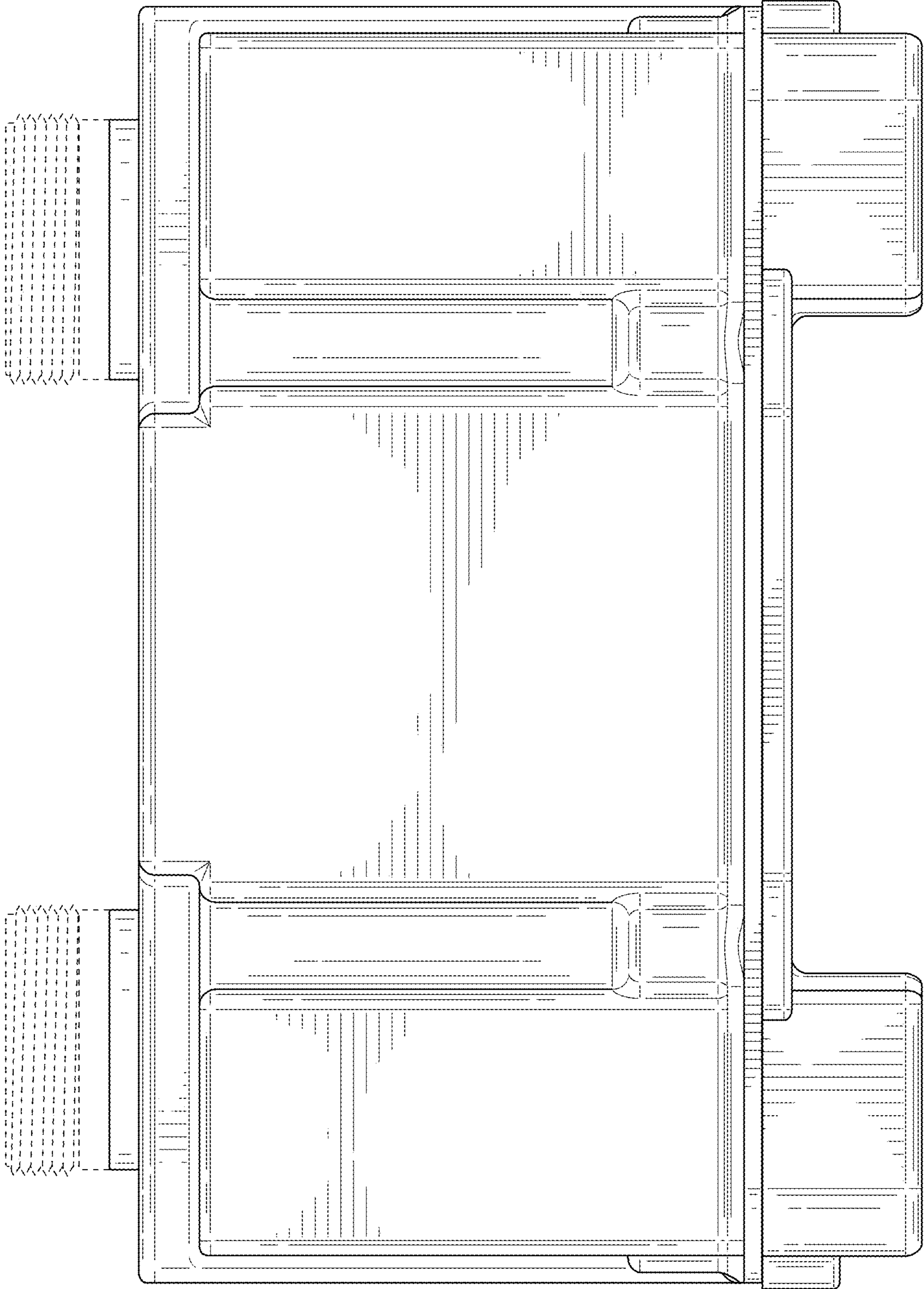


FIG. 3

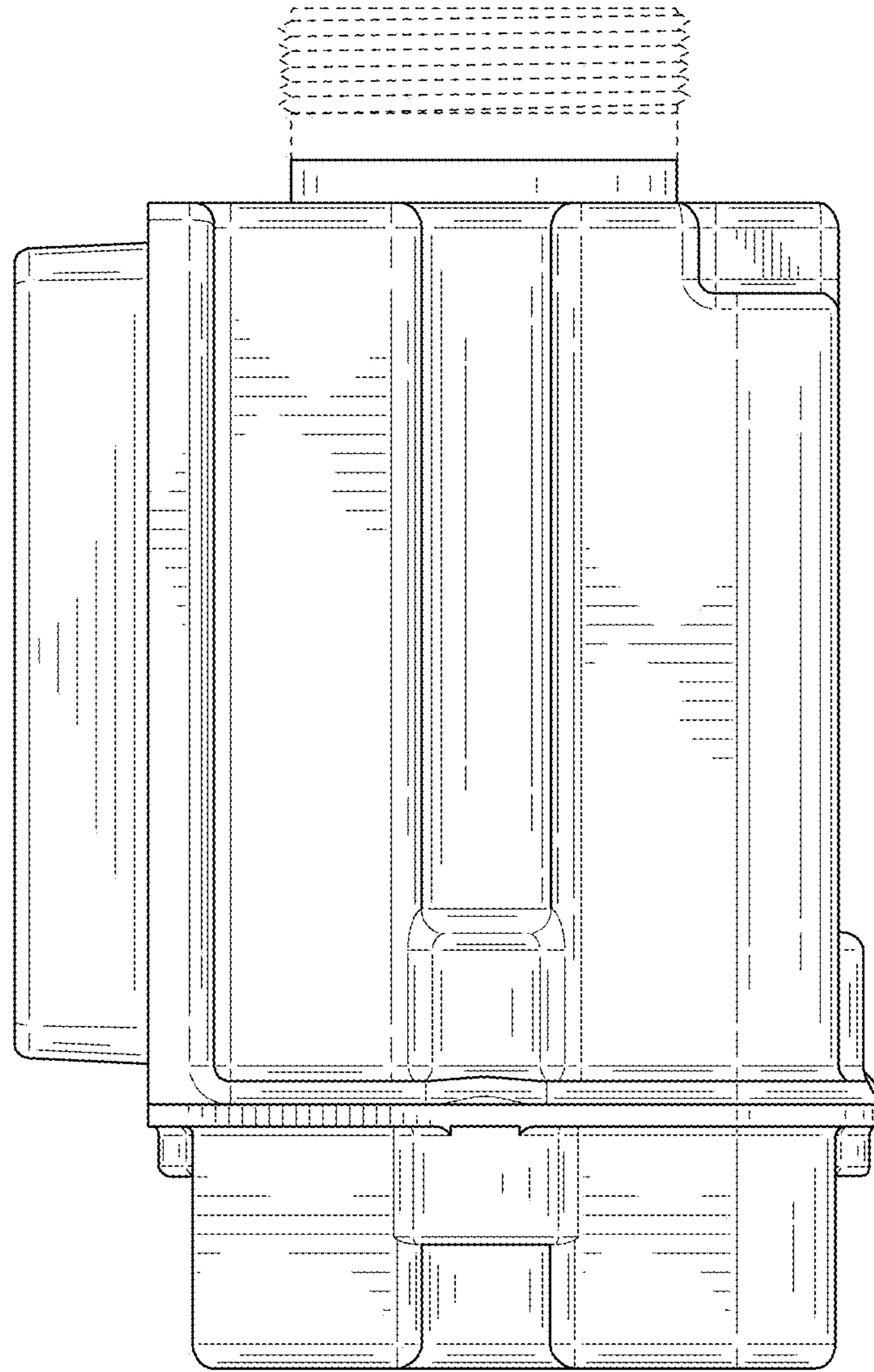


FIG. 4

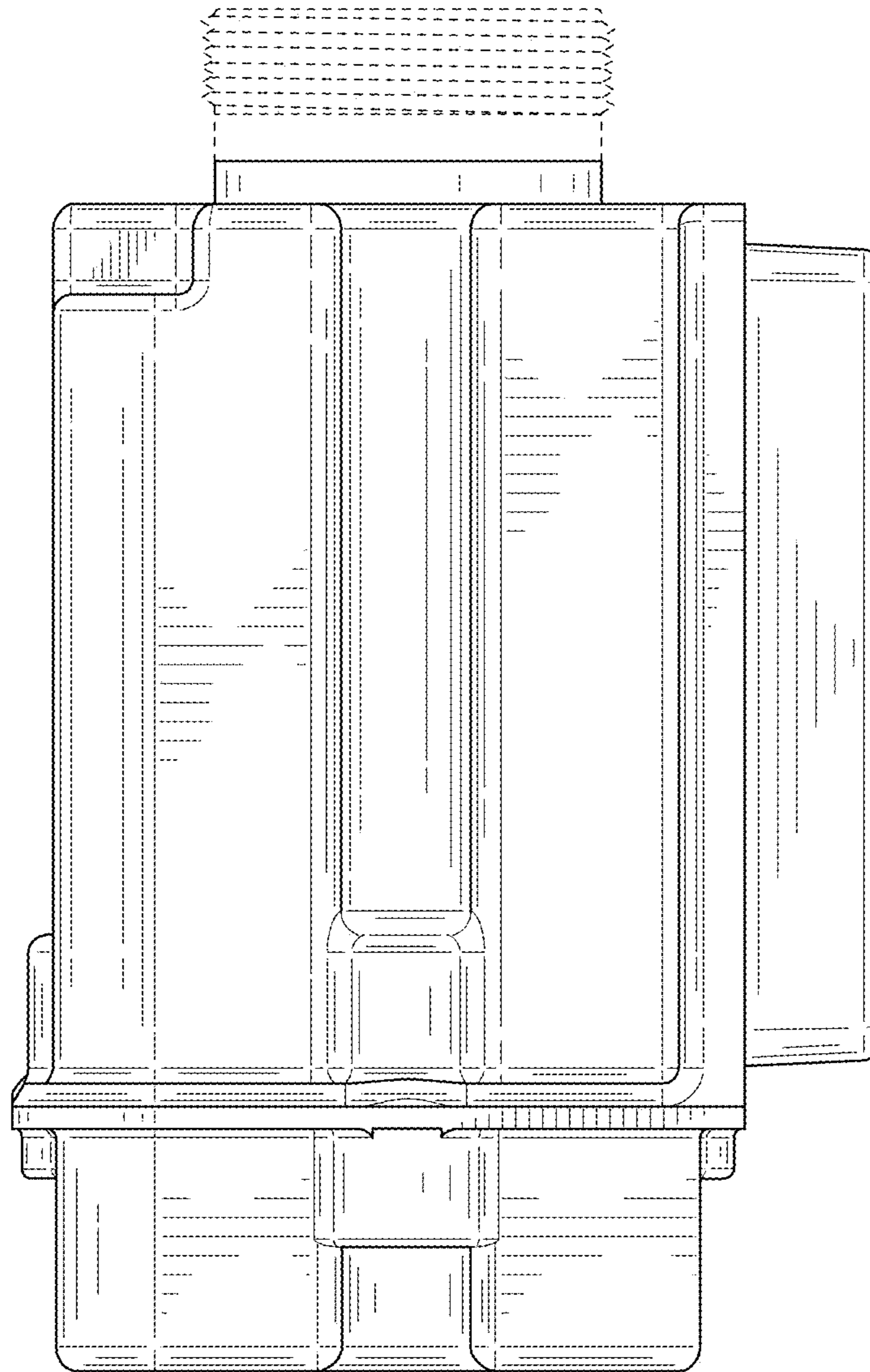


FIG. 5

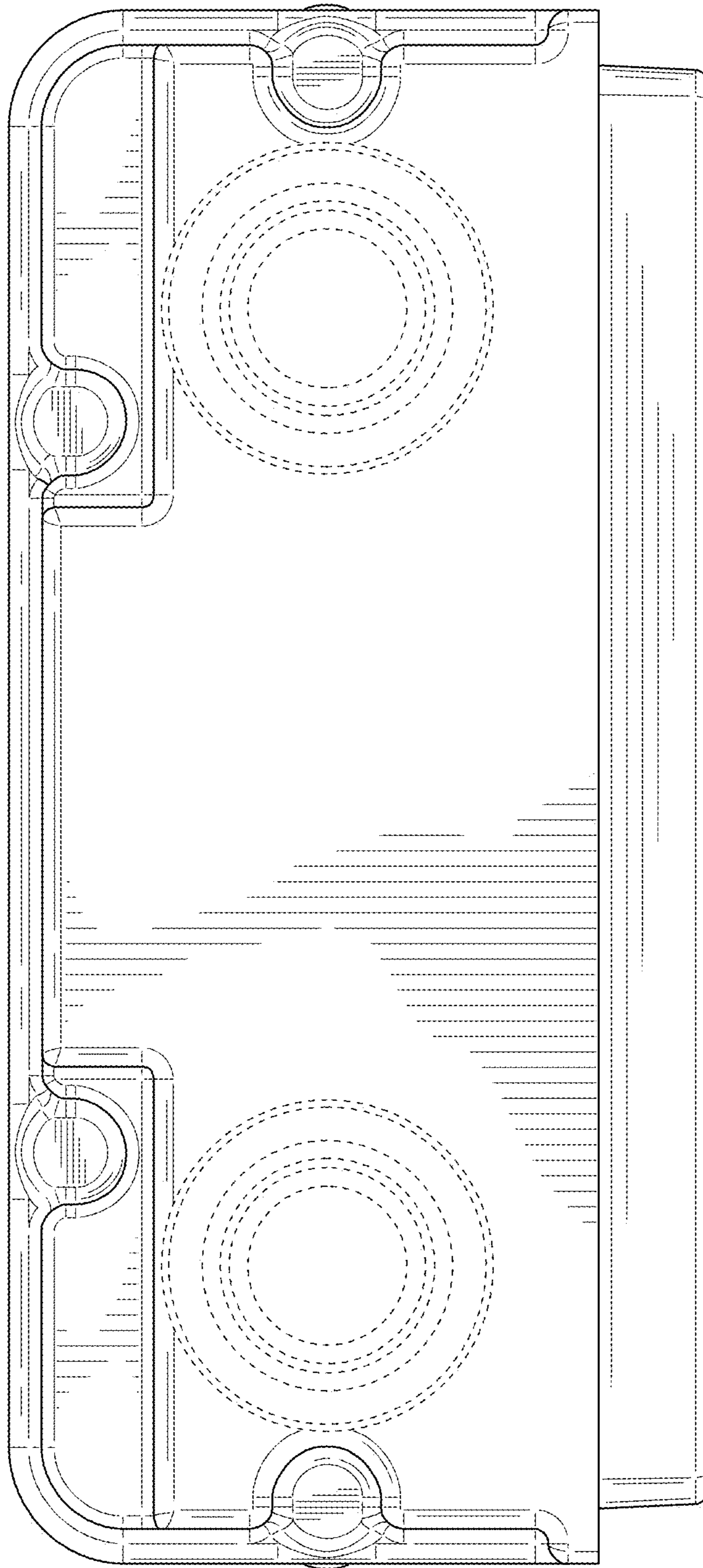


FIG. 6

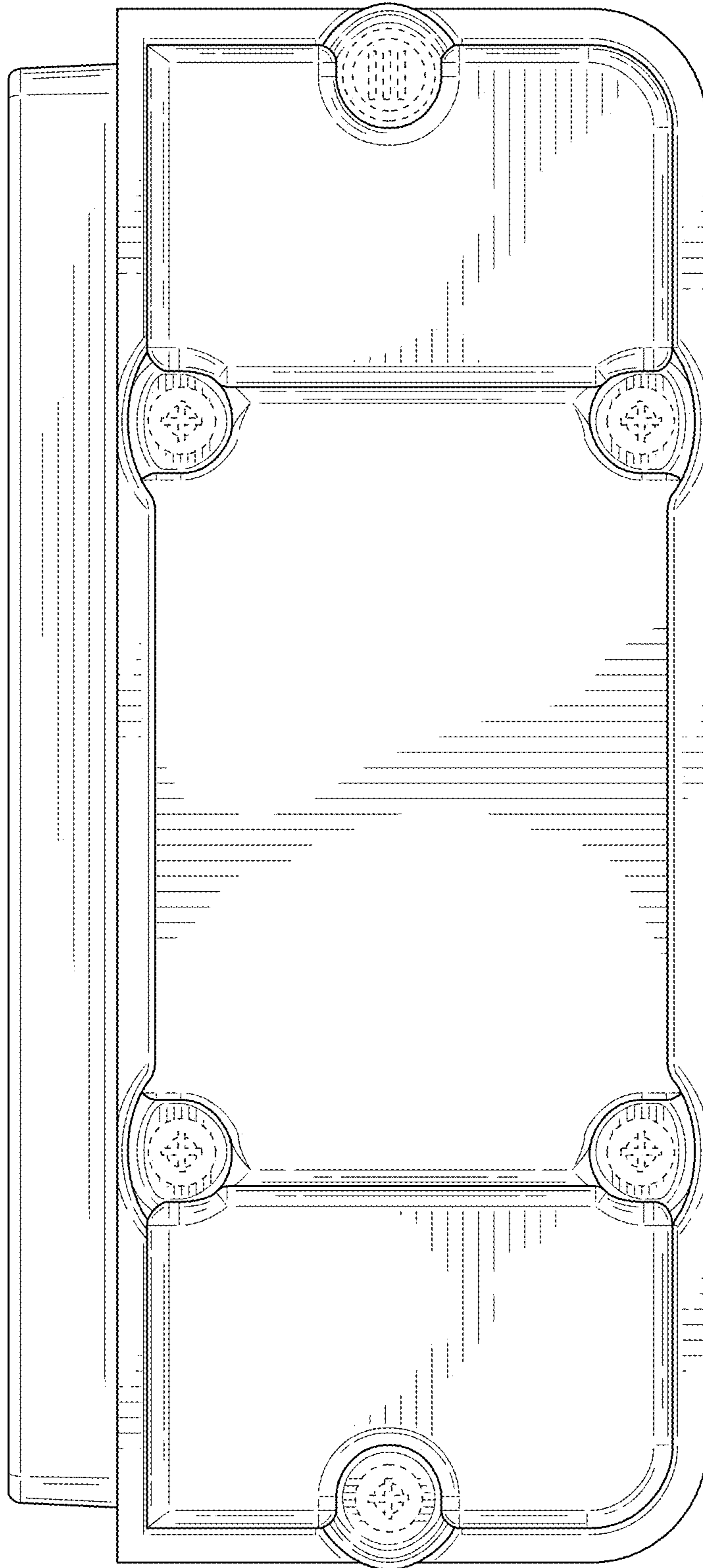


FIG. 7