



US00D941689S

(12) **United States Design Patent** (10) **Patent No.:** **US D941,689 S**
Park et al. (45) **Date of Patent:** **** Jan. 25, 2022**

(54) **LENGTH MEASURING APPARATUS**

(71) Applicant: **BAGEL LABS CO., LTD.**,
Seongnam-si (KR)

(72) Inventors: **Jun Young Park**, Uijeongbu-si (KR);
Jung Hoon Hwang, Bucheon-si (KR)

(73) Assignee: **BAGEL LABS CO., LTD.**,
Seongnam-si (KR)

(**) Term: **15 Years**

(21) Appl. No.: **29/711,680**

(22) Filed: **Nov. 1, 2019**

(30) **Foreign Application Priority Data**

Sep. 5, 2019 (KR) 30-2019-0042892

(51) **LOC (13) Cl.** **10-04**

(52) **U.S. Cl.**
USPC **D10/72**

(58) **Field of Classification Search**
USPC D10/49, 70-74
CPC G01B 3/10; G01B 3/1069;
G01B 2003/1064; G01B 11/02; A41H
1/02; A41H 1/10

See application file for complete search history.

(56) **References Cited**

U.S. PATENT DOCUMENTS

D295,504 S * 5/1988 Yamamoto D10/72
D326,685 S * 6/1992 Czech D10/72
D328,312 S * 7/1992 Halm D10/72
D341,328 S * 11/1993 Wantiez D10/72
5,433,014 A * 7/1995 Falk G01B 3/1084
33/763
D379,156 S * 5/1997 Hochstetler D10/72
D412,858 S * 8/1999 Staton D10/72
7,174,656 B1 * 2/2007 Smith G01B 3/1084
33/769

D599,229 S * 9/2009 Sun D10/72
D604,186 S * 11/2009 Schrage D10/72
D713,750 S * 9/2014 Villalpando D10/72
D731,335 S * 6/2015 Rhoden D10/72
D839,758 S * 2/2019 Mallozzi D10/72
D853,868 S * 7/2019 Park D10/72
D864,769 S * 10/2019 Park D10/72
2014/0101948 A1 * 4/2014 Lee G01B 3/10
33/2 R
2018/0149456 A1 * 5/2018 Lutey G06F 3/162

OTHER PUBLICATIONS

Bagel Labs ALT Smart Tape Measure for Garments | bagel-labs.com; no posting date [online]. © 2020 [retrieved Jun. 10, 2021] from Internet: <<https://www.bagel-labs.com/product/alt-smart-tape-measure-for-garments/>> (Year: 2021).*

* cited by examiner

Primary Examiner — Katherine Glennon

(74) *Attorney, Agent, or Firm* — Rabin & Berdo, P.C.

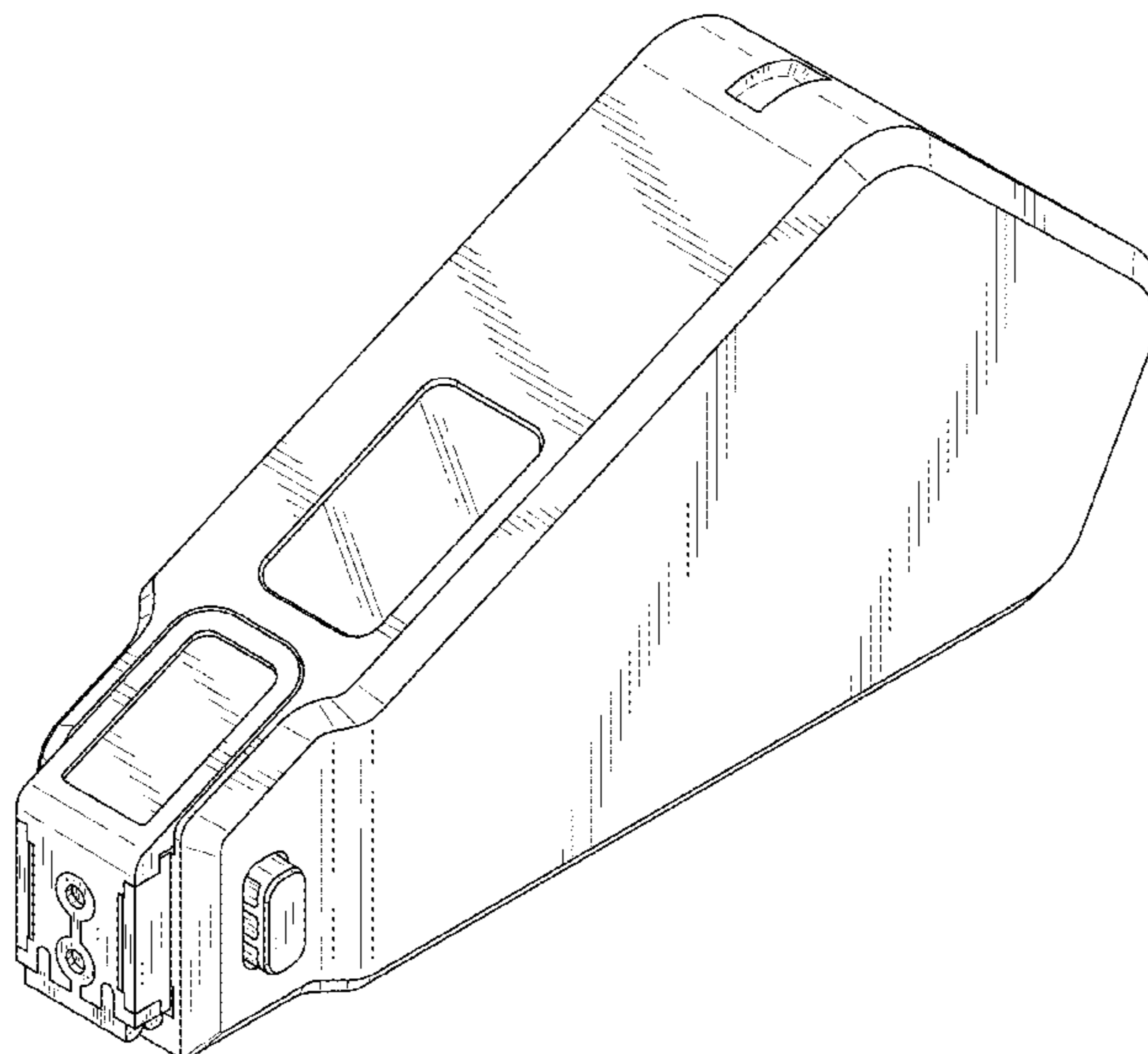
(57) **CLAIM**

The ornamental design for a length measuring apparatus, as shown and described.

DESCRIPTION

FIG. 1 is a perspective view of a length measuring apparatus;
FIG. 2 is a front elevational view thereof;
FIG. 3 is a rear elevational view thereof;
FIG. 4 is a left side elevational view thereof;
FIG. 5 is a right side elevational view thereof;
FIG. 6 is a top plan view thereof;
FIG. 7 is a bottom plan view thereof; and,
FIG. 8 is a perspective view thereof, shown in a state of use.
The broken lines depict portions of the length measuring apparatus that form no part of the claimed design.

1 Claim, 8 Drawing Sheets



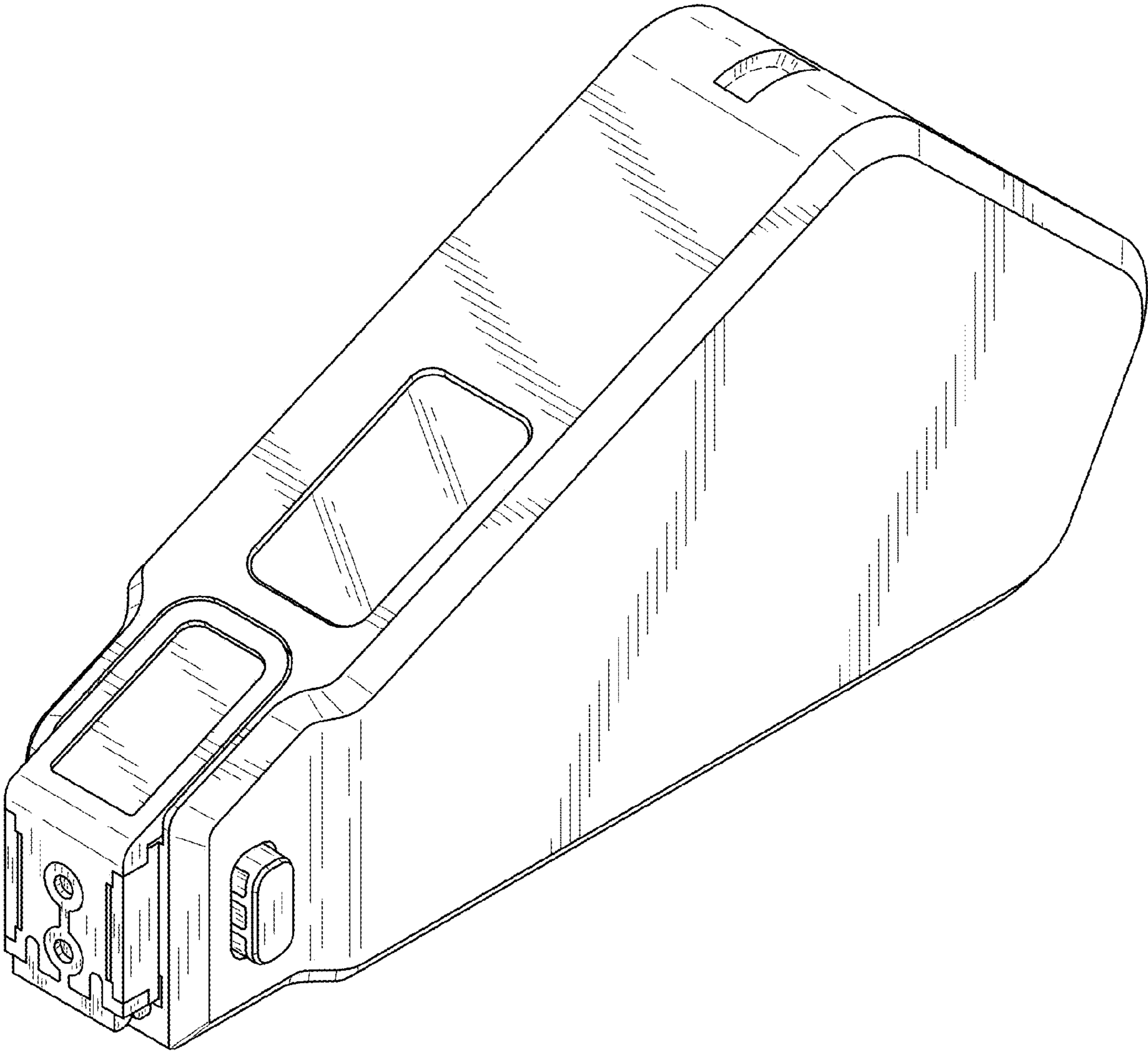


FIG. 1

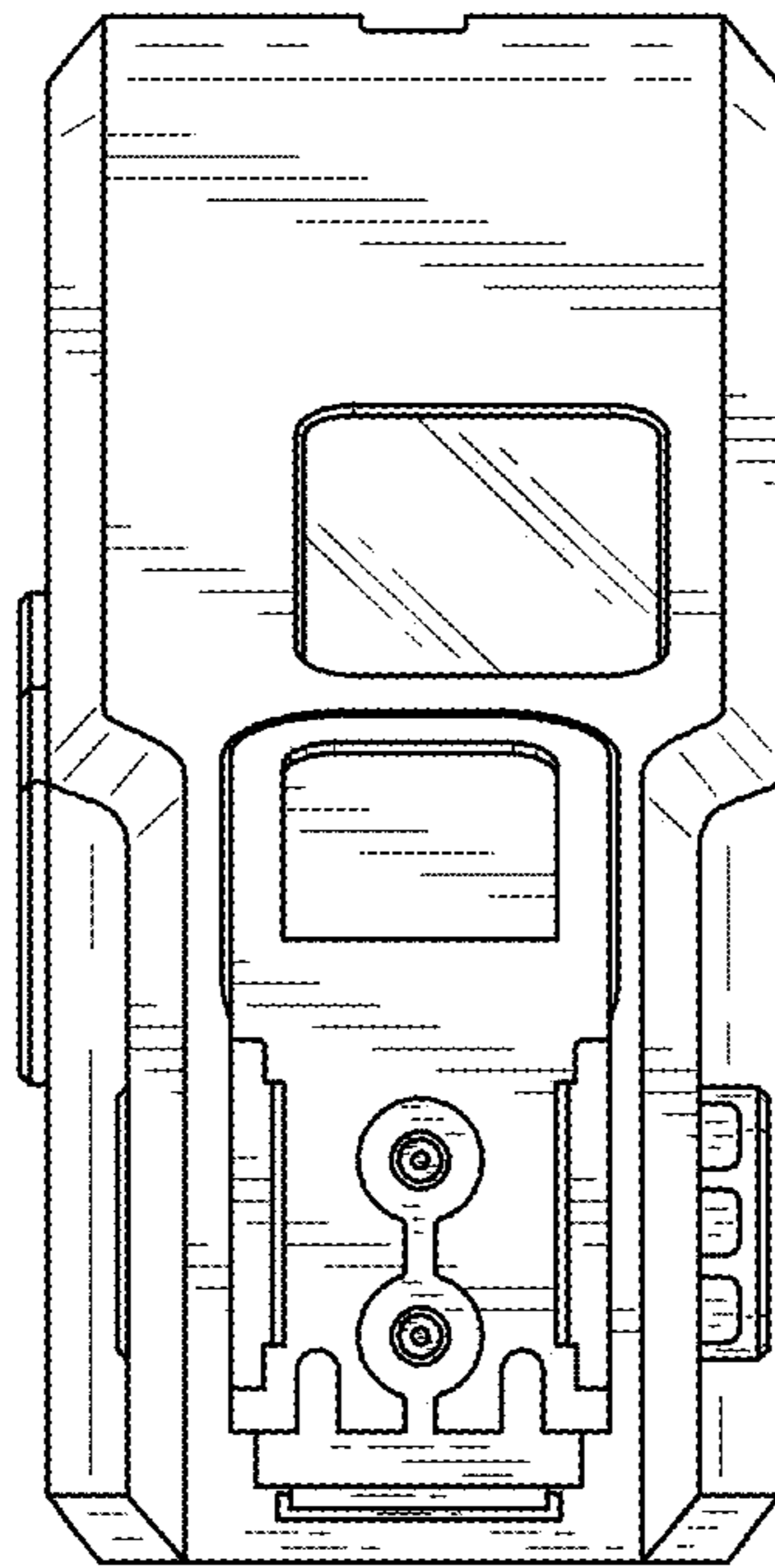


FIG. 2

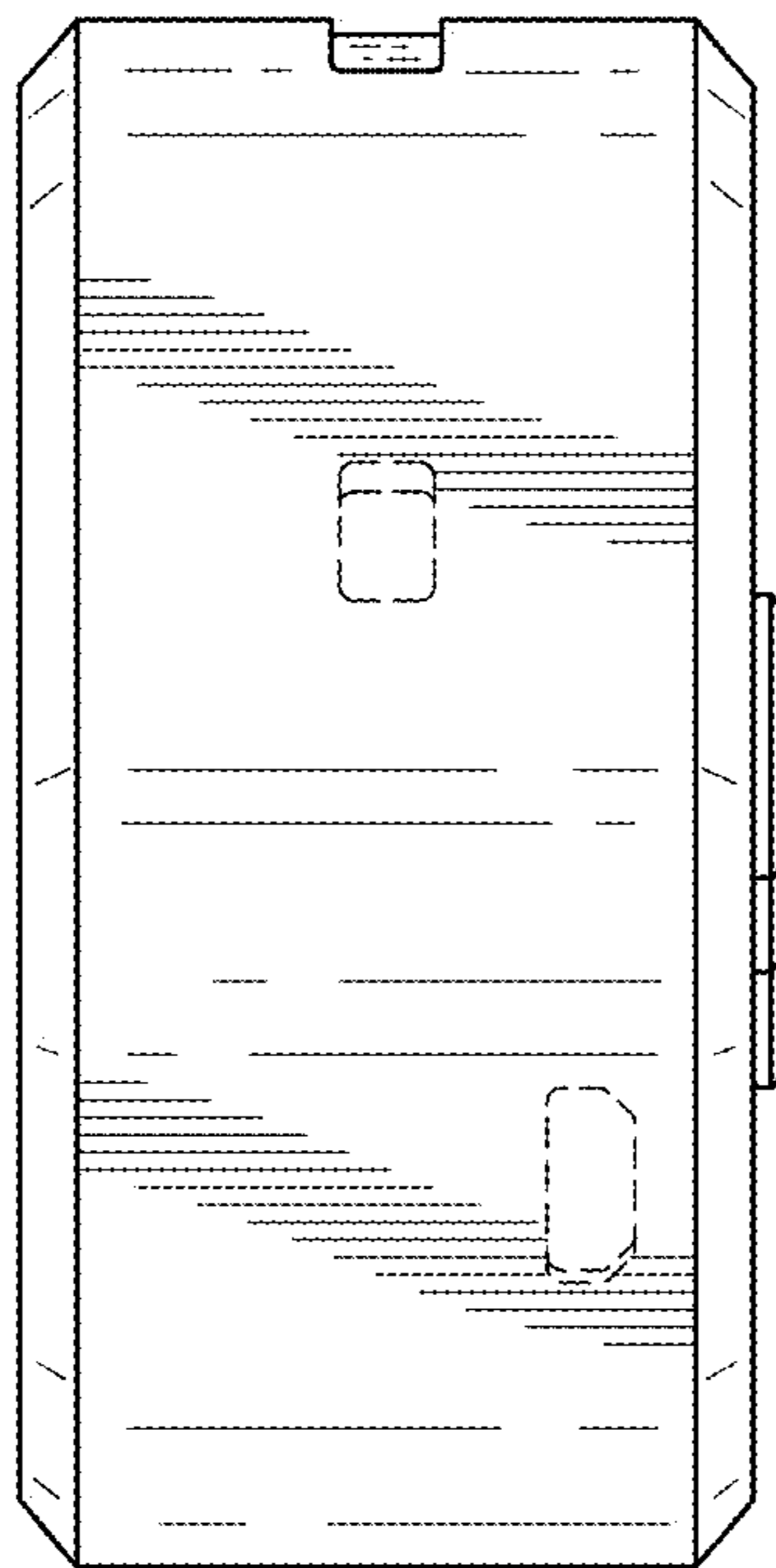


FIG. 3

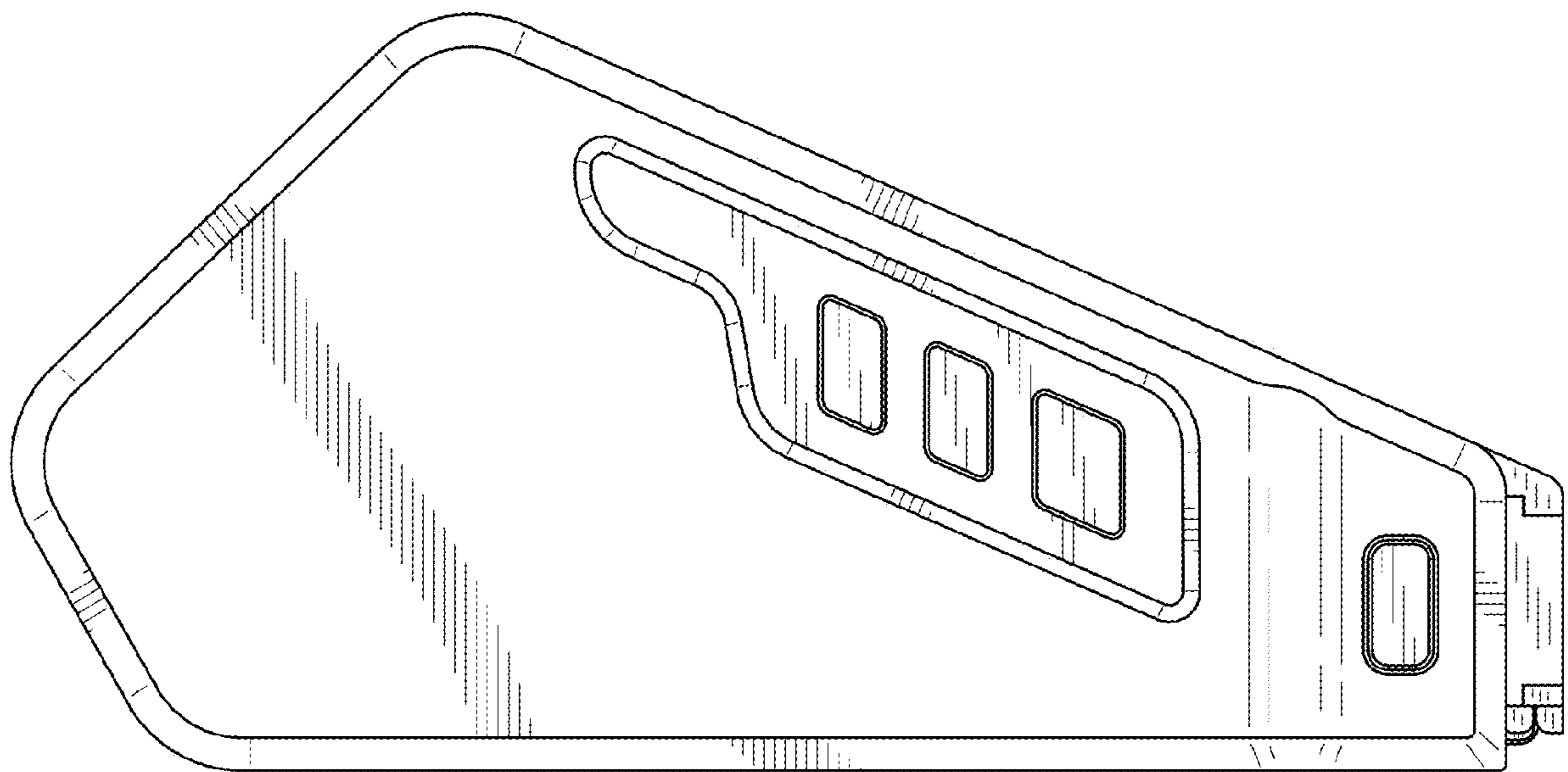


FIG. 4

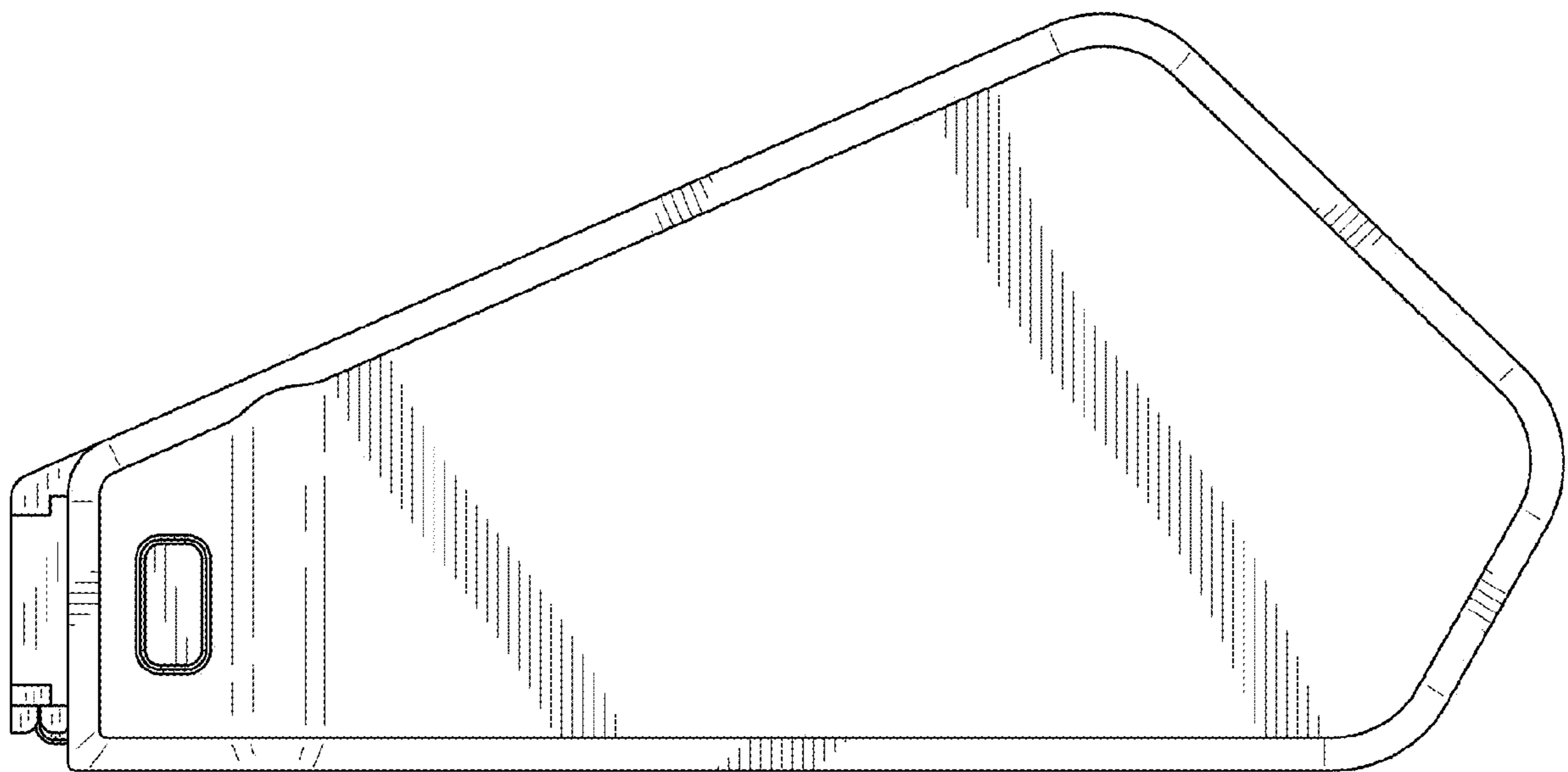


FIG. 5

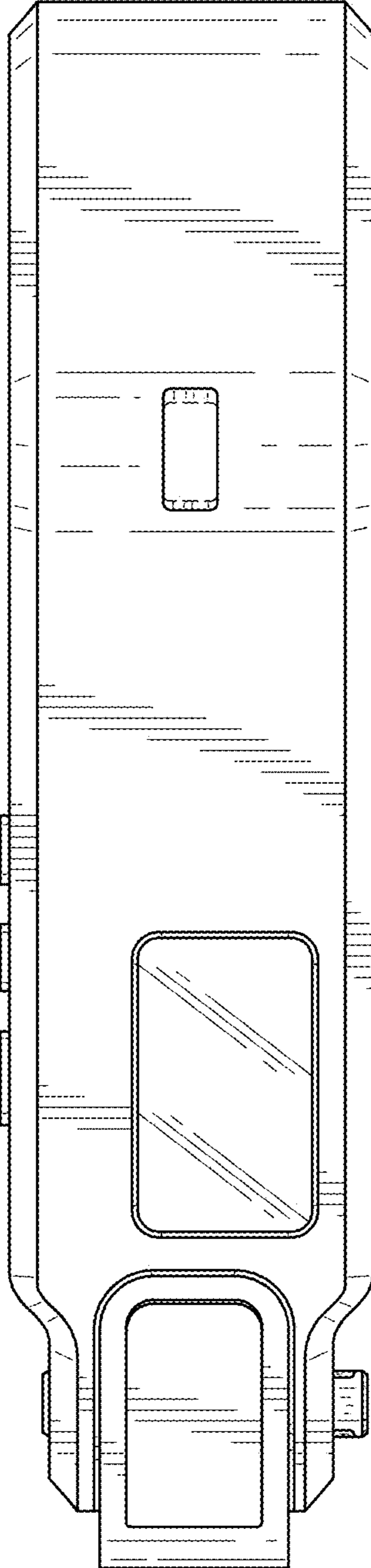


FIG. 6

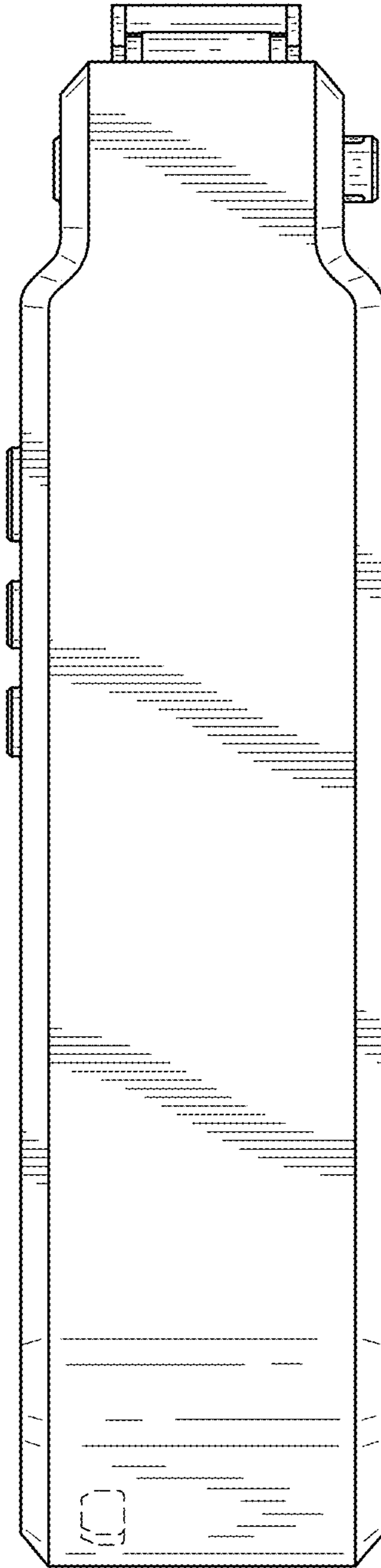


FIG. 7

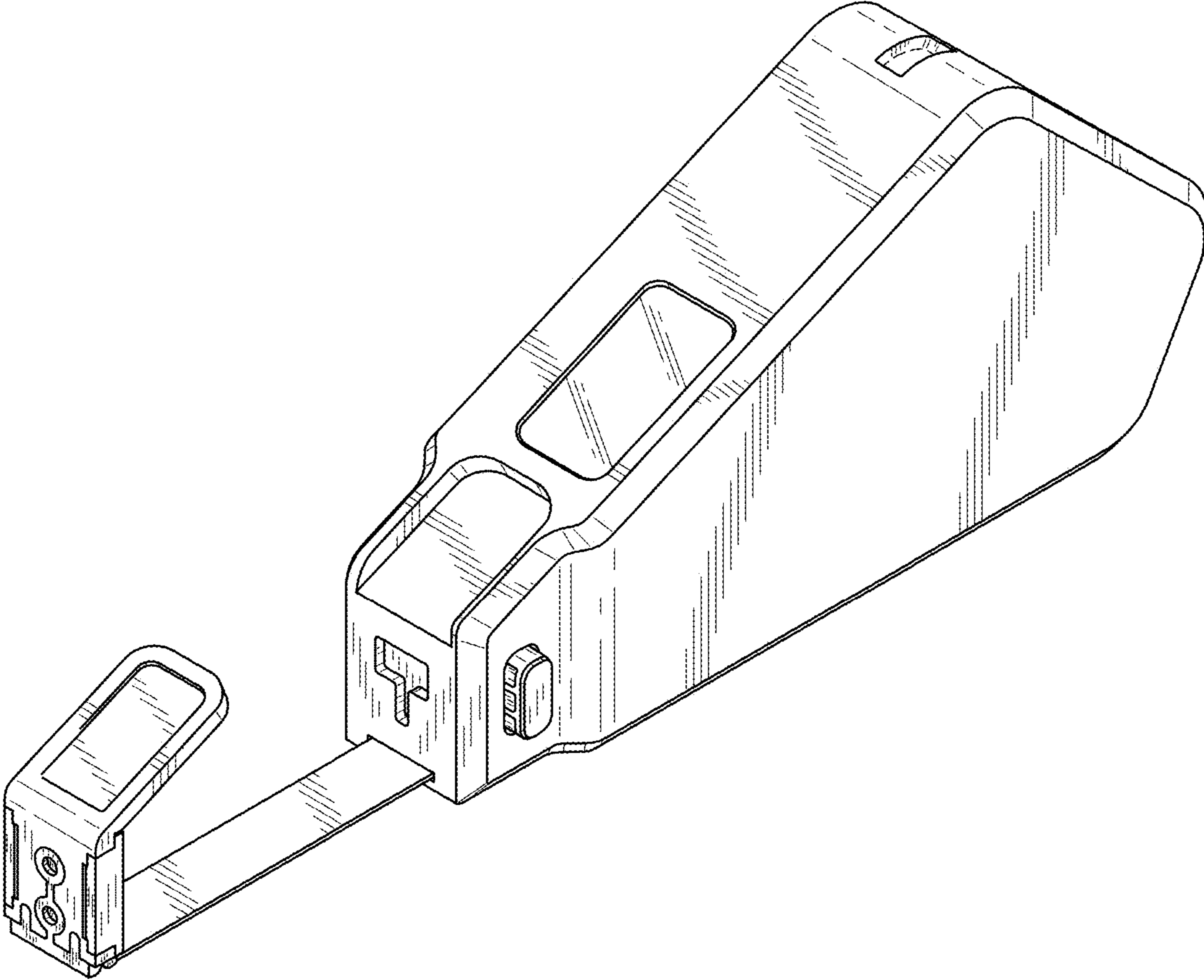


FIG. 8