



US00D941687S

(12) **United States Design Patent** (10) **Patent No.:** **US D941,687 S**
Painter et al. (45) **Date of Patent:** **** Jan. 25, 2022**

(54) **PORTABLE DEVICE WITH A TRIANGULAR MOUNTING PLATE**

(71) Applicant: **T-Mobile USA, Inc.**, Bellevue, WA (US)
(72) Inventors: **Christopher Painter**, Kirkland, WA (US); **Parag Garg**, Woodinville, WA (US); **Joseph Baird**, Kent, WA (US); **Jeffrey Scott Croyle**, San Francisco, CA (US); **Aaron Takeshi Sisneros**, Oakland, CA (US); **Daniel Hundt**, San Francisco, CA (US)

(73) Assignee: **T-Mobile USA, Inc.**, Bellevue, WA (US)

(**) Term: **15 Years**

(21) Appl. No.: **29/735,072**

(22) Filed: **May 18, 2020**

(51) **LOC (13) Cl.** **10-04**

(52) **U.S. Cl.**
USPC **D10/70**

(58) **Field of Classification Search**
USPC D10/75, 65, 70, 81; D12/192; D3/207, D3/208; D14/216, 230; D26/123, 124
CPC . G06F 3/16; G08B 3/00; H04M 11/00; H04N 7/14; H04N 7/26
See application file for complete search history.

(56) **References Cited**

U.S. PATENT DOCUMENTS

4,260,180 A	4/1981	Halushka et al.	
D443,726 S *	6/2001	Faillant-Dumas D28/82
D475,417 S	6/2003	Wintersteiger	
D476,376 S	6/2003	Wintersteiger	
D526,973 S	8/2006	Gates et al.	
7,226,321 B2	6/2007	Uhari	
D558,208 S	12/2007	Ikeda et al.	

(Continued)

OTHER PUBLICATIONS

GearLab Harman Kardon Onyx Studio 4 Review, publication date Feb. 18, 2018, (online) URL:https://www.techgearlab.com/reviews/audio/bluetooth-speaker/harman-kardon-onyx-studio-4 (Year: 2018).*
(Continued)

Primary Examiner — L. A. Grabenstetter
Assistant Examiner — Antoinette Martine Suiter
(74) *Attorney, Agent, or Firm* — Han Santos, PLLC

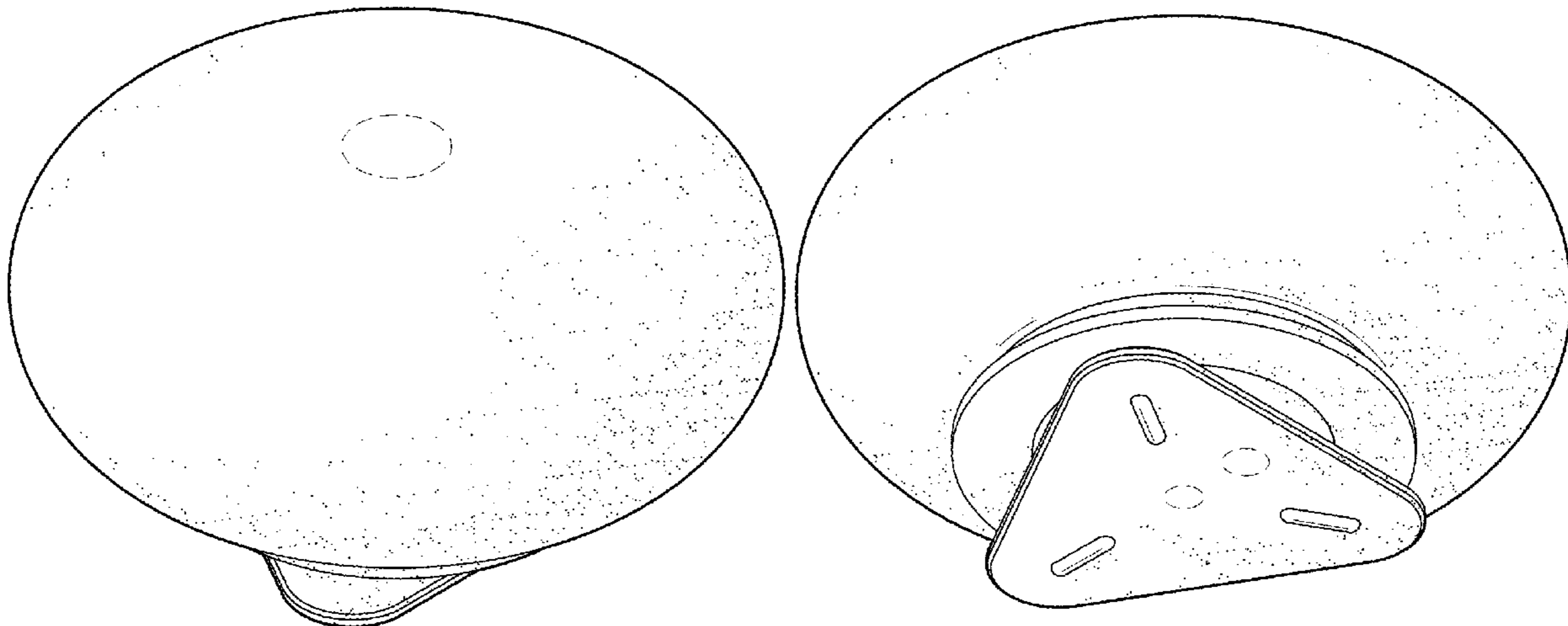
(57) **CLAIM**

The ornamental design for a portable device with the triangular mounting plate, as shown and described.

DESCRIPTION

FIG. 1 is a perspective view of a portable device with a triangular mounting plate taken from the top, right, and front, and illustrating a first orientation;
FIG. 2 is another perspective view of the portable device with mounting plate taken from the bottom, right, and front, and illustrating a second orientation;
FIG. 3 is a front elevation view of the portable device with mounting plate of FIG. 1;
FIG. 4 is a back elevation view of the portable device with the triangular mounting plate of FIG. 1;
FIG. 5 is a right elevation view of the portable device with the triangular mounting plate of FIG. 1;
FIG. 6 is a left elevation view of the portable device with the triangular mounting plate of FIG. 1;
FIG. 7 is a top plan view of the portable device with the triangular mounting plate of FIG. 1; and,
FIG. 8 is a bottom plan view of the portable device with the triangular mounting plate of FIG. 1.
The broken lines shown in the drawings illustrate portions of the portable device with the triangular mounting plate that form no part of the claimed design.

1 Claim, 4 Drawing Sheets



(56)

References Cited

U.S. PATENT DOCUMENTS

D558,209 S 12/2007 Ikeda et al.
 D575,289 S 8/2008 Kuo et al.
 7,431,027 B2 10/2008 Carpenter et al.
 D585,898 S 2/2009 Skurdal
 8,148,701 B2 4/2012 Yoder
 D680,541 S 4/2013 Lee et al.
 8,552,403 B2 10/2013 Yoder et al.
 D693,814 S 11/2013 Park
 D694,228 S 11/2013 Richter
 D717,244 S 11/2014 Reishus et al.
 D749,442 S 2/2016 Jung et al.
 D749,504 S 2/2016 Jeong et al.
 D768,635 S 10/2016 Due
 D784,259 S 4/2017 Huang et al.
 D802,529 S 11/2017 Andersson
 D806,711 S * 1/2018 Sakaguchi D14/388
 9,875,628 B2 1/2018 Pokrajac et al.
 D824,851 S 8/2018 Antonetti et al.
 D848,405 S * 5/2019 Bould D14/240
 D859,363 S * 9/2019 Chalabi D14/216
 D859,364 S * 9/2019 Chalabi D14/216
 D864,961 S * 10/2019 Sakaguchi D14/388
 10,436,914 B2 10/2019 Gindraux et al.
 D878,905 S 3/2020 Illouz
 D882,439 S 4/2020 Fan

D886,795 S * 6/2020 Tak D14/204
 D888,017 S * 6/2020 Yuan D14/216
 D888,687 S * 6/2020 Xu D14/216
 D906,280 S * 12/2020 Matarese D14/204
 D920,143 S * 5/2021 Painter D10/70
 D920,493 S * 5/2021 Alexander D23/366
 D920,949 S * 6/2021 Matarese D14/204
 2010/0207769 A1 8/2010 Pokrajac
 2011/0169616 A1 7/2011 Yoder
 2014/0158129 A1 * 6/2014 Pratt, Jr. A61M 16/0078
 128/203.26
 2020/0378546 A1 * 12/2020 Painter F16B 1/00

OTHER PUBLICATIONS

TmoNews T-Mobile Launches SyncUp Pets Tracker, publication date Feb. 26, 2020, (online) URL:<https://www.tmonews.com/2020/02/t-mobile-syncup-pets-tracker/> (Year: 2020).*

Design U.S. Appl. No. 29/693,293, Ex Parte Quayle mailed Jun. 1, 2020, 15 pages.

Design U.S. Appl. No. 29/693,293, Notice of Allowance dated Aug. 20, 2020, 10 pages.

Design U.S. Appl. No. 29/693,299, Notice of Allowance dated Sep. 14, 2020, 18 pages.

Design U.S. Appl. No. 29/693,289, Notice of Allowance dated Feb. 5, 2021, 21 pages.

* cited by examiner

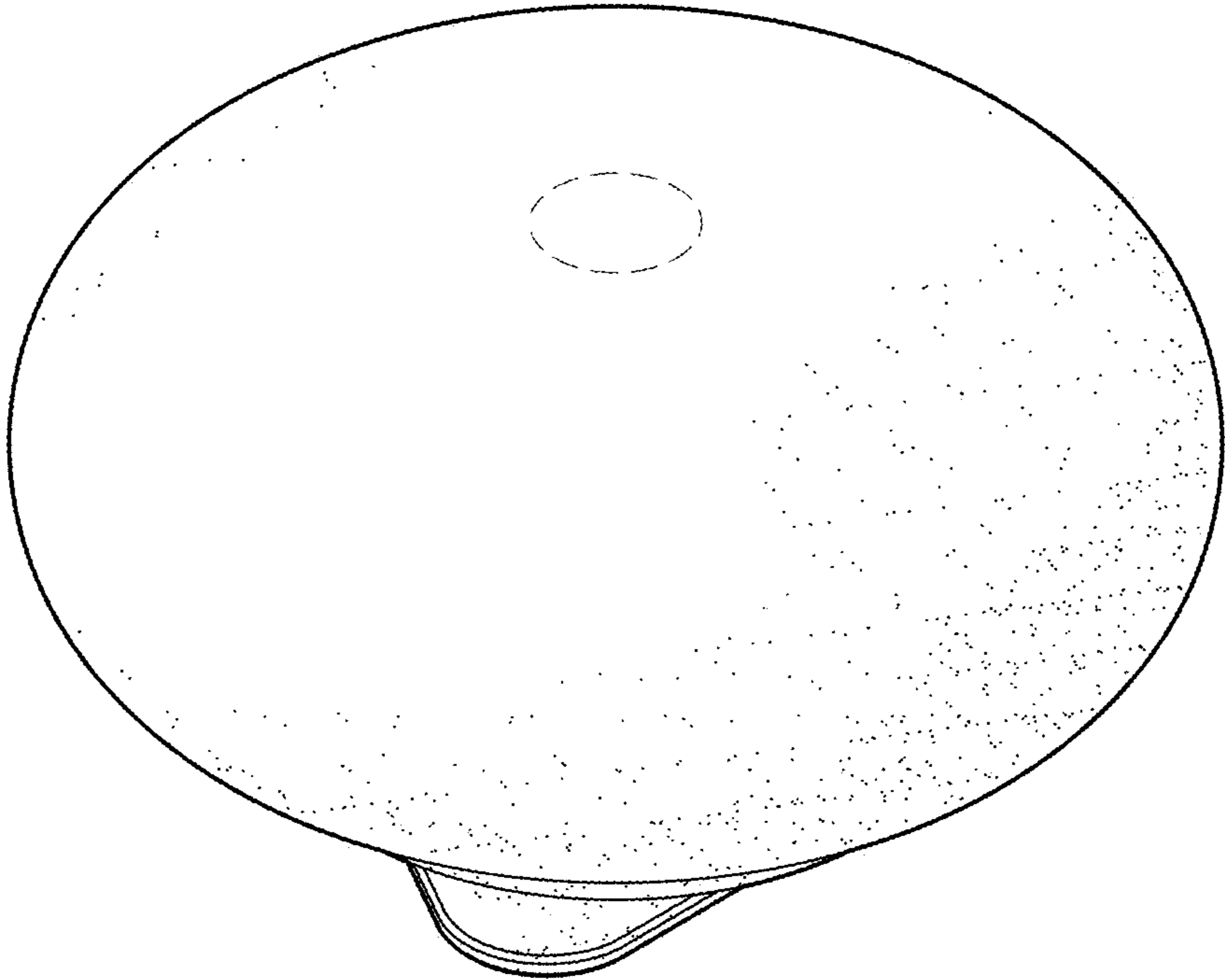


FIG. 1

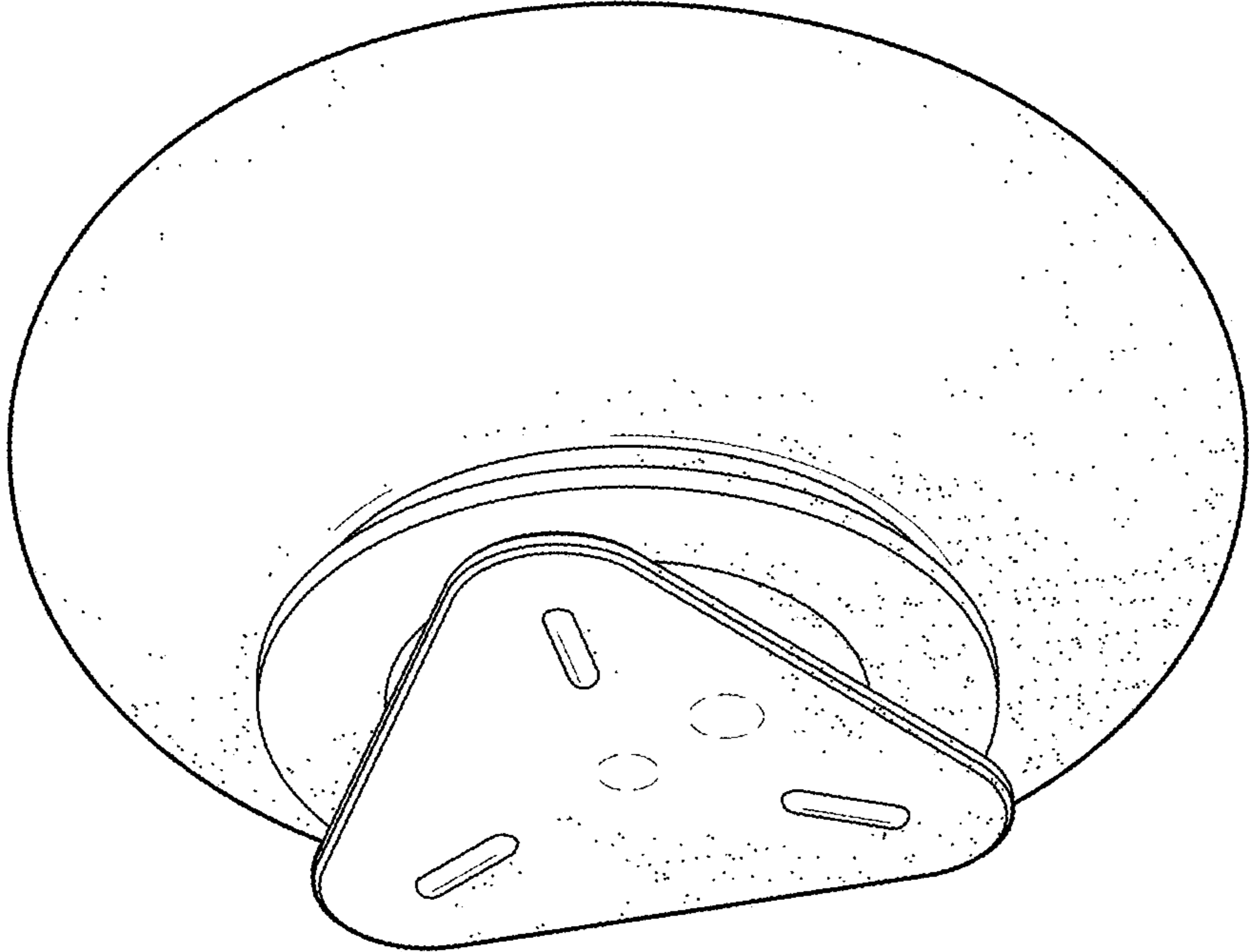


FIG. 2

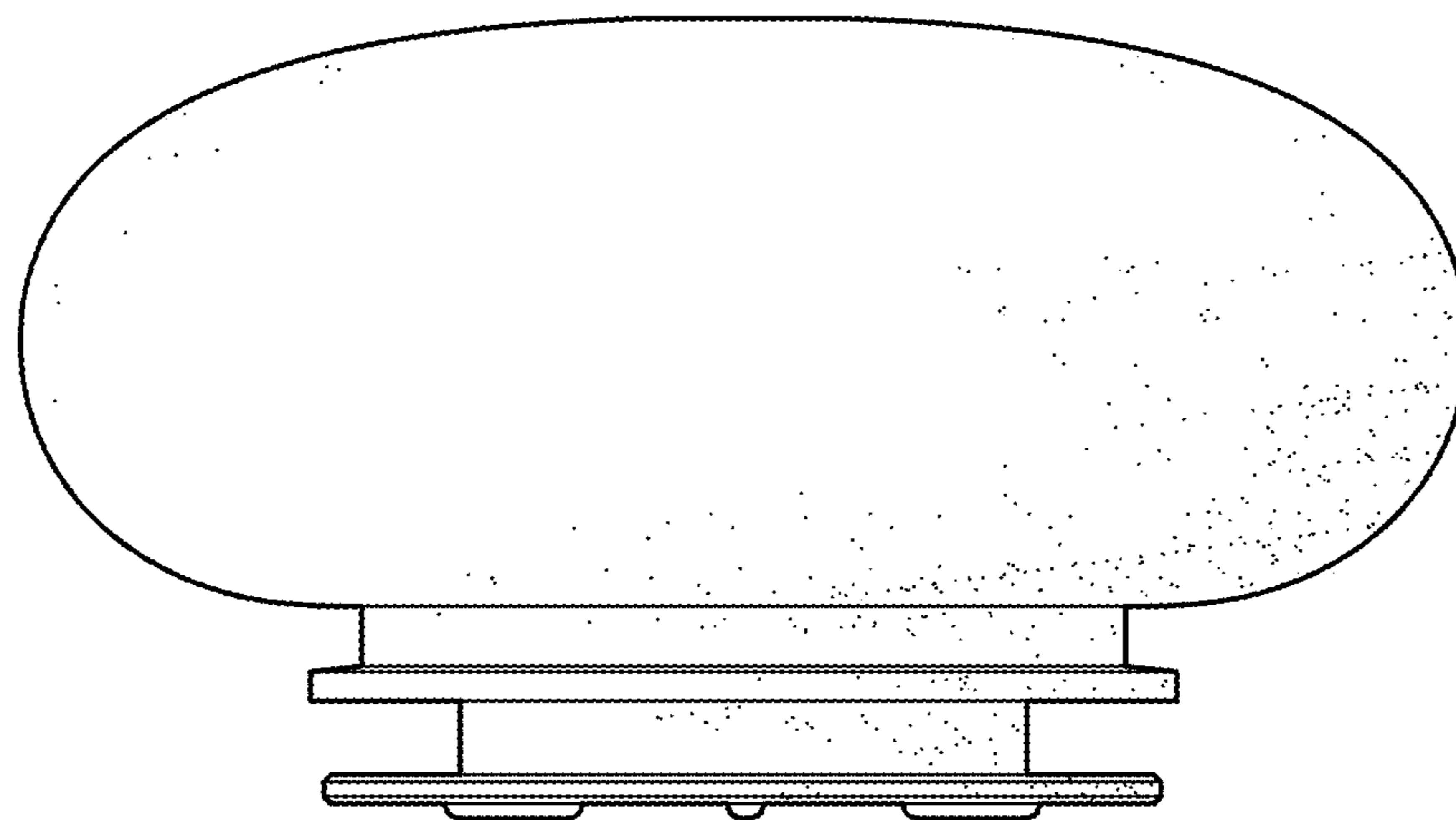


FIG. 3

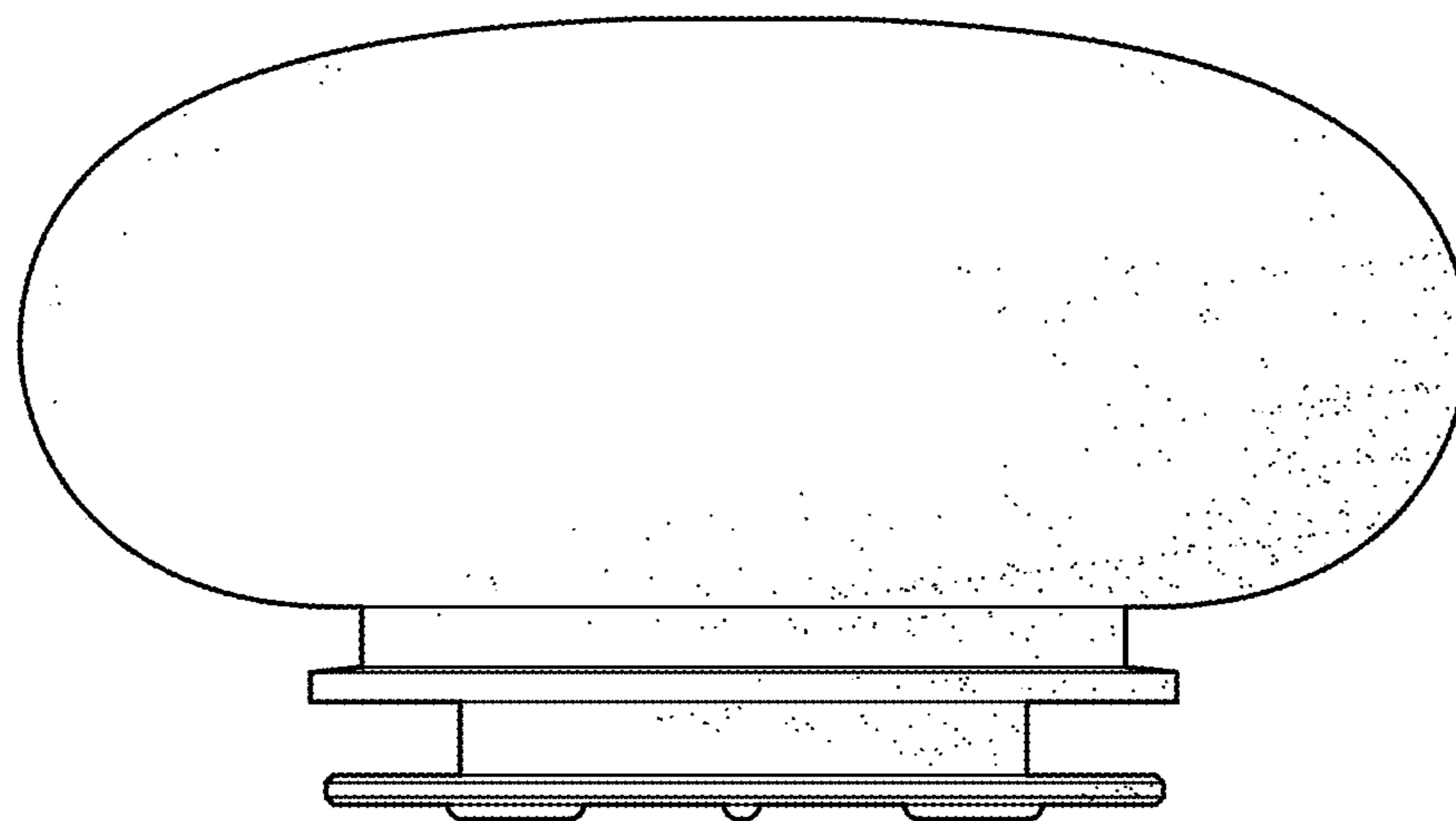


FIG. 4

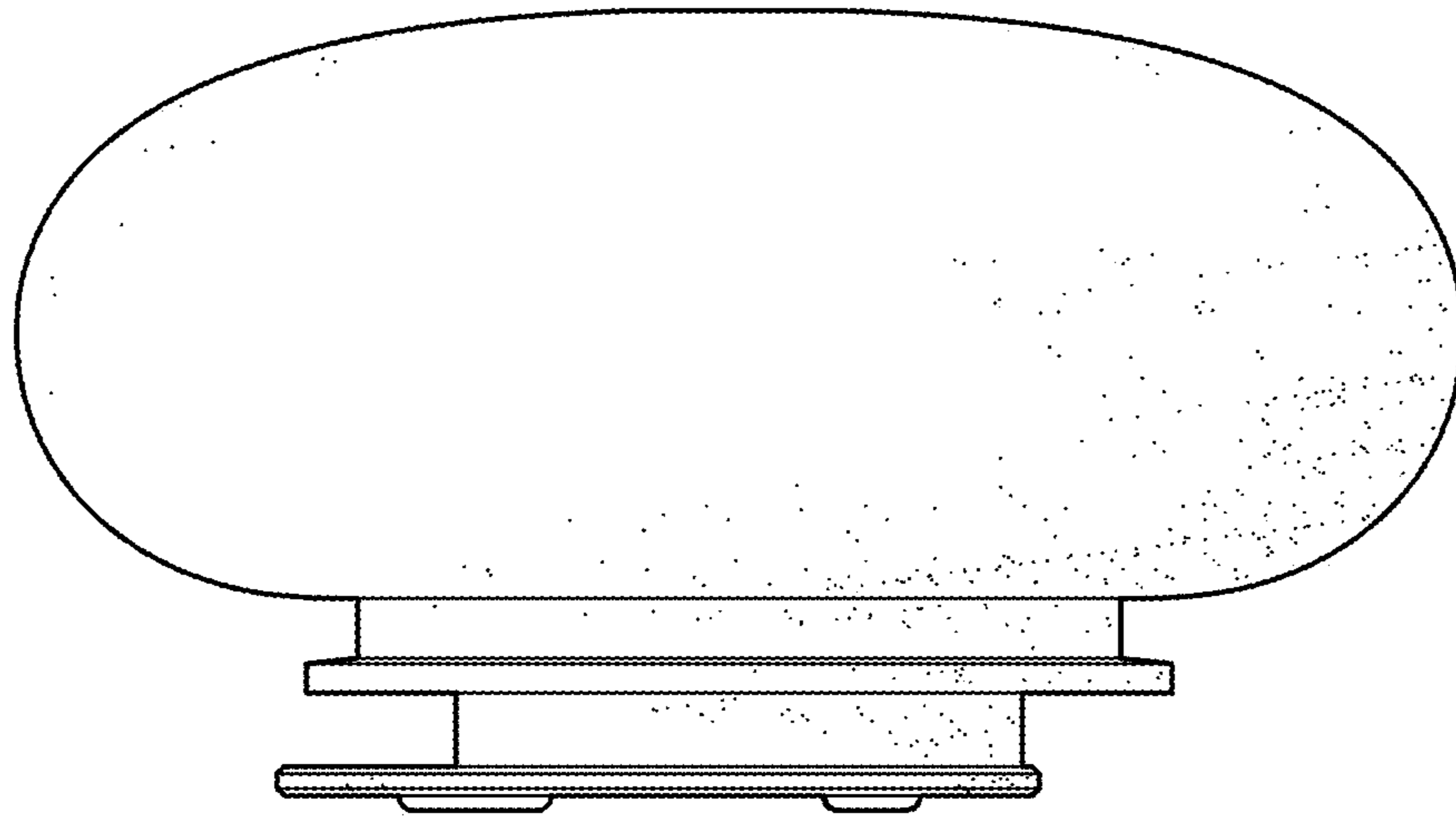


FIG. 5

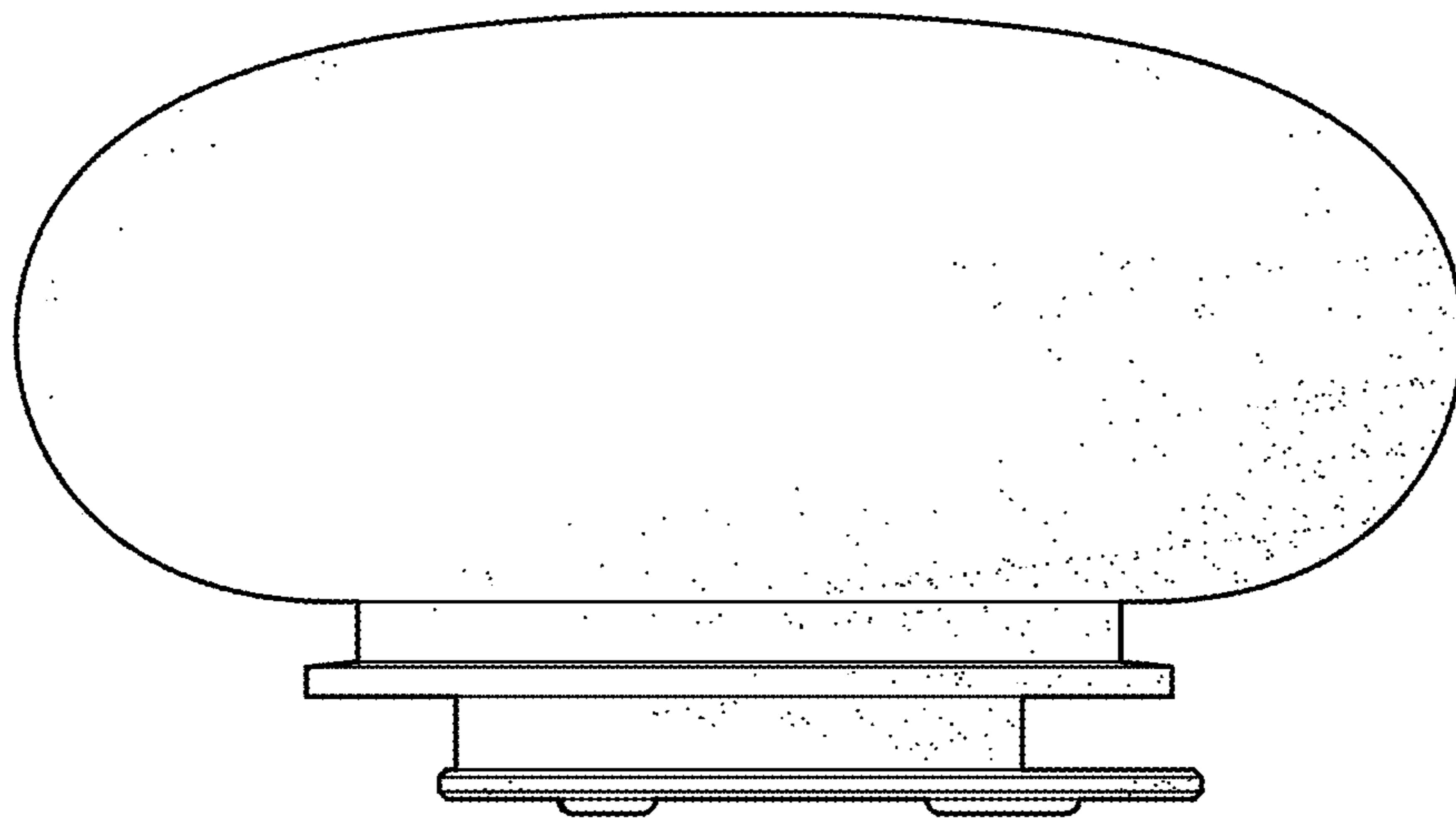


FIG. 6

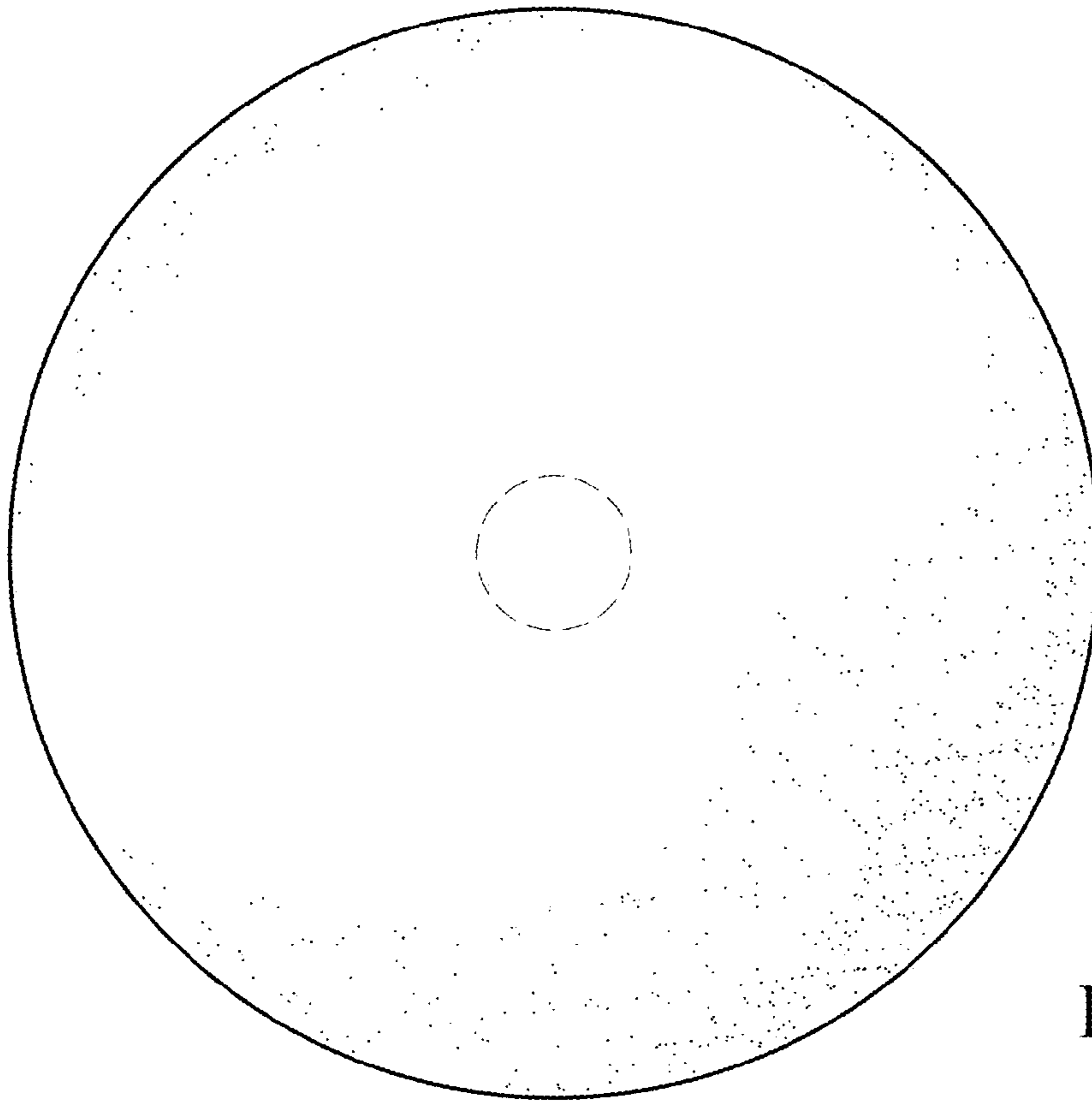


FIG. 7

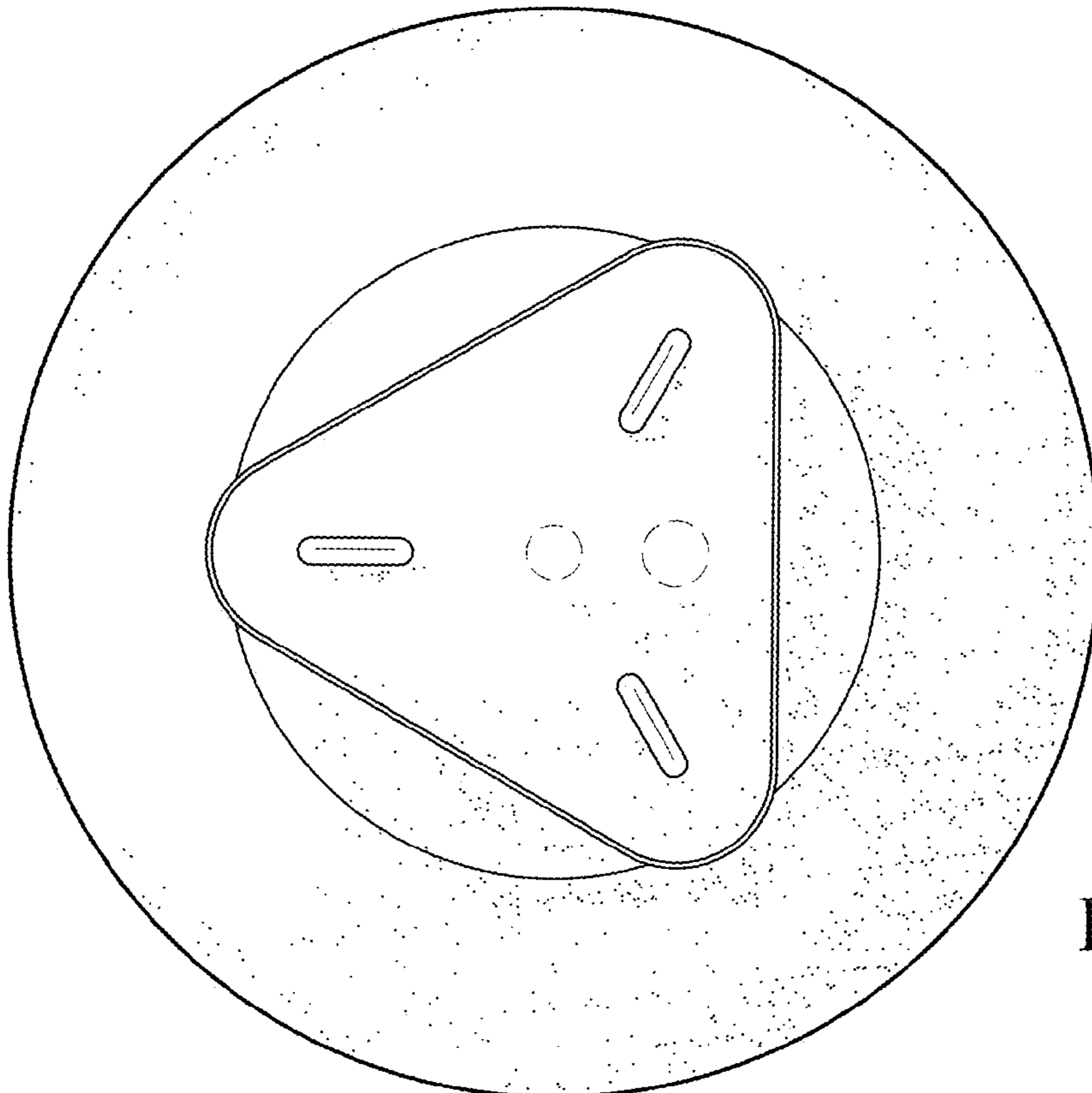


FIG. 8