



US00D941677S

(12) **United States Design Patent** (10) **Patent No.:** **US D941,677 S**
Chen et al. (45) **Date of Patent:** **** Jan. 25, 2022**

(54) **LAWN REFUSE BAG**

(56) **References Cited**

(71) Applicant: **Pratt Corrugated Holdings, Inc.**,
Conyers, GA (US)

(72) Inventors: **Shifeng Chen**, Newport News, VA
(US); **Greg Sollie**, Sharpsburg, GA
(US); **Jamie Waltermire**, Peachtree
City, GA (US)

(73) Assignee: **Pratt Corrugated Holdings, Inc.**,
Conyers, GA (US)

(**) Term: **15 Years**

(21) Appl. No.: **29/800,663**

(22) Filed: **Jul. 22, 2021**

U.S. PATENT DOCUMENTS

474,382 A	5/1892	Haines
645,544 A	3/1900	Bissell
672,657 A	4/1901	Vautrot
1,088,633 A	2/1914	Simmons
1,234,057 A	7/1917	Mcintyre
1,571,608 A	2/1926	Stillman
1,846,542 A	2/1932	Budd
1,858,793 A	5/1932	Archibald
1,879,410 A	9/1932	Morris et al.
1,879,950 A	9/1932	Read, Jr.
1,898,838 A	2/1933	Katz
1,916,519 A	7/1933	Madsen
1,986,898 A	1/1935	Smithwick
2,430,155 A	11/1947	Buttery
2,550,959 A	5/1951	Bowman
2,939,614 A	6/1960	Hill
3,257,068 A	6/1966	Wright
3,324,906 A	6/1967	Chu
3,335,769 A	8/1967	Ilg
3,578,236 A	5/1971	Masayuki
3,734,340 A	5/1973	Ippolito et al.
3,746,240 A	7/1973	Flynn
3,891,136 A	6/1975	Woeste
3,938,731 A	2/1976	Ross et al.
3,977,594 A	8/1976	Swan
3,983,914 A	10/1976	Benson
4,037,778 A	7/1977	Boyle
4,115,909 A	9/1978	Corella
4,139,029 A	2/1979	Geraci
4,258,842 A	3/1981	Falkstein
4,268,081 A	5/1981	Hawkinson
4,273,167 A	6/1981	Stillwell
4,338,979 A	7/1982	Dow
4,361,267 A	11/1982	Wozniacki
4,366,916 A	1/1983	Guido et al.
4,386,729 A	6/1983	Schmidt
4,457,483 A	7/1984	Gagne
4,530,533 A	7/1985	Dieter
4,628,007 A	12/1986	Ledsham
4,643,380 A	2/1987	Copeland
4,659,045 A	4/1987	Flynn
4,669,689 A	6/1987	Jones
4,697,771 A	10/1987	Majors
4,749,011 A	6/1988	Rylander
4,760,982 A	8/1988	Cooke
4,836,970 A	6/1989	Robbins, III
4,884,603 A	12/1989	Simpson
4,890,652 A	1/1990	Hoerner
4,895,456 A	1/1990	Morita

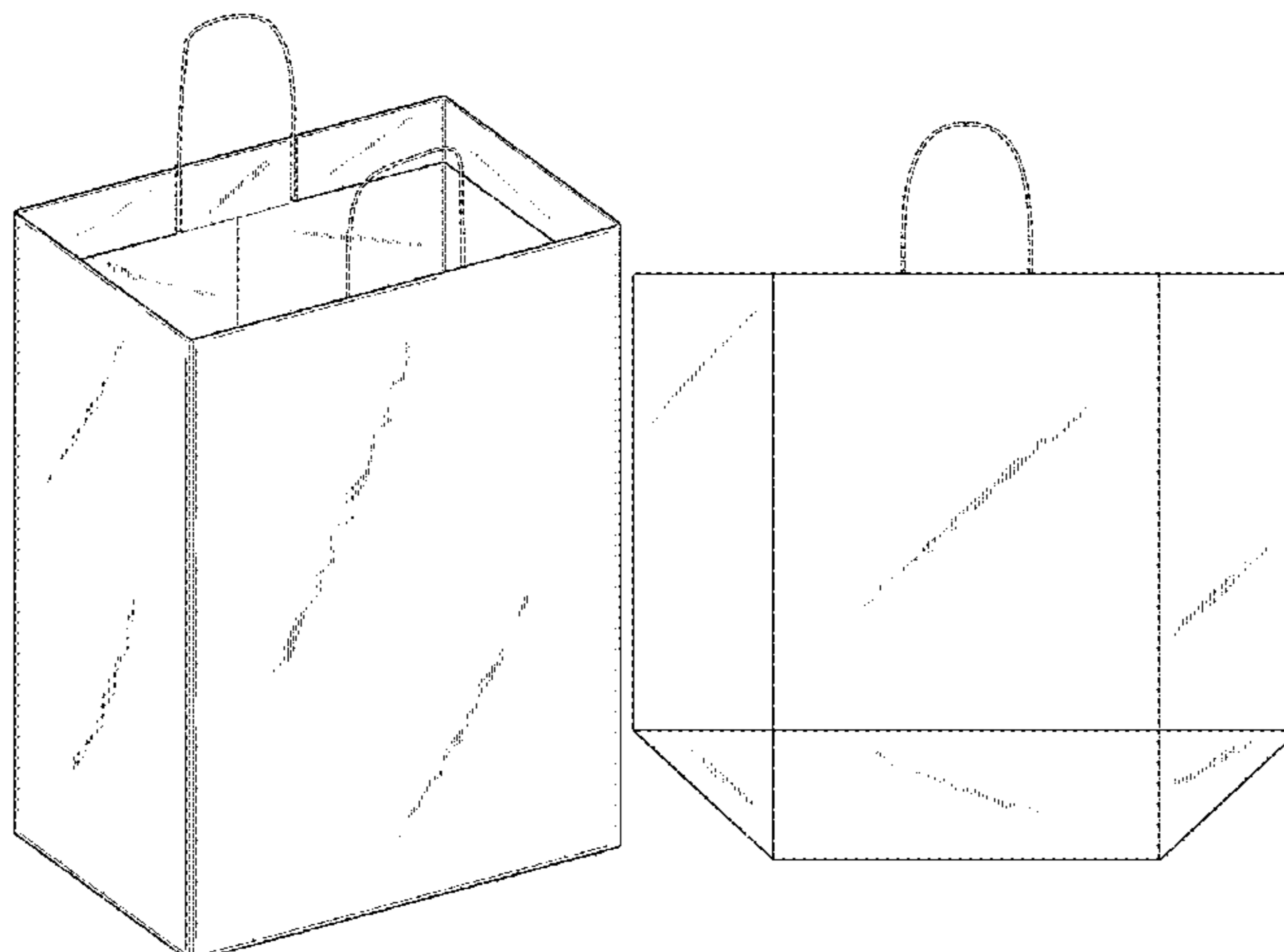
Related U.S. Application Data

(63) Continuation of application No. 29/715,749, filed on
Dec. 4, 2019, now Pat. No. Des. 929,238.

(51) **LOC (13) Cl.** **09-05**

(52) **U.S. Cl.**
USPC **D9/704**

(58) **Field of Classification Search**
USPC D9/702-714, 719, 738-740, 517-518,
D9/522, 416, 435, 444, 460, 455, 414,
D9/499, 431-432; D7/560-562;
206/434, 426-427, 429-430, 485, 485.1,
206/499, 508, 431, 418-422, 588-594;
229/117.3, 185, 121, 122, 200, 207, 236,
229/87.01; 220/23.83; 150/100-118;
294/137, 152; 383/6, 10, 14, 20, 40, 33,
383/104-105, 117, 108, 120, 93, 121.1,
383/127; 428/34.3
CPC B65D 33/00; B65D 33/06; B65D 33/065;
B65D 33/14; B65D 33/1683; B65D
33/12; B65D 31/00; B65D 31/04; B65D
31/10; B65D 31/12; A45C 3/04; A45C
3/10
See application file for complete search history.



US D941,677 S

4,909,553	A	3/1990	Hantover	7,604,156	B2	10/2009	Clohessy
4,940,200	A	7/1990	Sawyer	7,625,026	B2	12/2009	Lau
4,955,496	A	9/1990	Nelson	7,651,024	B2	1/2010	Barner
4,979,547	A	12/1990	Hoerner	7,694,838	B2	4/2010	Yang
5,018,637	A	5/1991	Miller	7,712,623	B2	5/2010	Wentz et al.
5,033,780	A	7/1991	Wootton	7,736,057	B2	6/2010	Vanbost
5,048,778	A	9/1991	Wright	7,810,766	B2	10/2010	Blessman
5,054,724	A	10/1991	Hutcheson	7,815,153	B2	10/2010	Campbell et al.
5,056,679	A	10/1991	Lonczak	D633,268	S	2/2011	Bottita
5,065,965	A	11/1991	Aulabaugh	D639,519	S	6/2011	Gomez
5,080,308	A	1/1992	Franks	D648,912	S	11/2011	Cantu
5,090,756	A	2/1992	Pfisterer	D699,014	S	2/2014	Lohrke et al.
5,129,609	A	7/1992	Tobin	8,757,563	B2	6/2014	Muse
5,271,589	A	12/1993	Belous	8,840,072	B2	9/2014	Muse
5,285,988	A	2/1994	Bogren	8,978,964	B1	3/2015	Ruggiere, Sr.
5,292,093	A	3/1994	Shumake	9,056,715	B2	6/2015	Muse
5,316,060	A	5/1994	Hogdon et al.	9,102,432	B2	8/2015	Muse
5,372,269	A	12/1994	Sutton et al.	D738,743	S *	9/2015	Galmarini D9/631
5,400,989	A	3/1995	Gaskill	9,352,870	B2	5/2016	Muse
D361,185	S	8/1995	Seiler et al.	9,517,884	B2	12/2016	Muse
5,593,117	A	1/1997	Alexander	9,550,623	B2	1/2017	Muse
5,610,230	A	3/1997	Yoshida et al.	D785,463	S *	5/2017	Akana D9/703
5,716,033	A	2/1998	Gibson	9,701,470	B2	7/2017	Muse
D391,722	S	3/1998	Sheppard	9,896,266	B2	2/2018	Muse
5,765,614	A	6/1998	Kardosh	D860,000	S *	9/2019	Baldelomar Bernardin .. D9/704
5,816,431	A	10/1998	Giannopoulos	D899,723	S	10/2020	Boyea
5,868,364	A	2/1999	MacMillan	D900,629	S *	11/2020	Milos D9/703
5,871,037	A	2/1999	Feldt	D909,211	S *	2/2021	Bornmiller D9/703
5,897,084	A	4/1999	Judge	D929,238	S	8/2021	Chen et al.
5,915,768	A	6/1999	Young	D935,124	S	11/2021	Chen et al.
5,918,651	A	7/1999	Gazdy et al.	2002/0074247	A1	6/2002	Tremblay
5,979,842	A	11/1999	Fan	2002/0130224	A1	9/2002	Asaro
6,007,030	A	12/1999	Judge	2003/0173471	A1	9/2003	Weathers et al.
6,035,908	A	3/2000	Hoffman	2003/0218104	A1	11/2003	Klotz
6,073,943	A	6/2000	Serrault	2006/0011785	A1	1/2006	Mclean
6,085,647	A	7/2000	Burow	2006/0032991	A1	2/2006	Gaines
6,116,548	A	9/2000	Oleson	2006/0144467	A1	7/2006	Butzer
6,116,549	A	9/2000	Santa Cruz et al.	2006/0273143	A1	12/2006	Finch
6,131,759	A	10/2000	Young	2008/0023595	A1	1/2008	Armaly, Jr.
6,135,518	A	10/2000	Holthaus	2008/0128479	A1	6/2008	Bates et al.
6,189,841	B1	2/2001	Lapoint et al.	2010/0108826	A1	5/2010	Fernandez et al.
6,202,718	B1	3/2001	Innocenti	2010/0142860	A1	6/2010	Mincozzi
6,273,156	B1	8/2001	Carillo	2010/0237202	A1	9/2010	Mincozzi
6,296,212	B1	10/2001	Monahan	2010/0243650	A1	9/2010	Manley
6,340,037	B1	1/2002	Stafford	2010/0276247	A1	11/2010	Babineau et al.
6,367,747	B1	4/2002	Mulle	2011/0011921	A1	1/2011	Sorensen
6,415,713	B1	7/2002	Abrams	2011/0309208	A1	12/2011	Muse
6,431,435	B1	8/2002	Jones et al.	2011/0309209	A1	12/2011	Muse
6,450,461	B1	9/2002	Lohmann	2011/0309210	A1	12/2011	Muse
6,481,617	B2	11/2002	Yang	2012/0110959	A1	5/2012	Serago, Jr.
6,536,488	B1	3/2003	Pochobradsky	2013/0019995	A1	1/2013	Muse
6,554,810	B1	4/2003	Wilk et al.	2013/0020449	A1	1/2013	Muse
6,659,407	B2	12/2003	Asaro	2013/0140308	A1	6/2013	Stowers
D485,166	S *	1/2004	Clark D9/704	2013/0156350	A1	6/2013	Turner
6,708,742	B2	3/2004	Weathers et al.	2014/0331616	A1	11/2014	Muse
D494,853	S *	8/2004	Chan D9/704	2014/0339379	A1	11/2014	Muse
D498,667	S *	11/2004	Clark D9/703	2015/0232222	A1	8/2015	Muse
D500,457	S	1/2005	Peeples et al.	2015/0291354	A1	10/2015	Muse
D502,582	S	3/2005	Boles	2016/0001975	A1	1/2016	Muse
6,860,094	B1	3/2005	Abrams	2016/0236864	A1	8/2016	Muse
6,866,070	B2	3/2005	King	2017/0088350	A1	3/2017	Muse
6,896,015	B2	5/2005	Beveridge	2017/0275095	A1	9/2017	Muse
D513,352	S	12/2005	Weathers et al.	2021/0070541	A1	3/2021	Chen et al.
6,983,965	B1	1/2006	Bergell	2021/0070542	A1	3/2021	Chen et al.
7,066,220	B1	6/2006	Take et al.				
7,066,379	B2	6/2006	McLeod et al.				
7,152,894	B2	12/2006	Weathers et al.				
7,159,761	B2	1/2007	Abshire et al.				
7,246,641	B2	7/2007	Blessman				
7,302,978	B1	12/2007	Kolarik				
D567,464	S	4/2008	Dullum				
7,367,600	B1	5/2008	Lew et al.				
7,398,913	B2	7/2008	McClure				
7,407,139	B1	8/2008	Dolan				
D576,500	S *	9/2008	Kim D9/703				
D578,409	S *	10/2008	Clark D9/703				
7,434,721	B2	10/2008	Feltz				
7,494,096	B2	2/2009	Paloian et al.				
D593,721	S	6/2009	Koll				

FOREIGN PATENT DOCUMENTS

DE	202013007170	11/2013
JP	2004024200	1/2004

OTHER PUBLICATIONS

Muse, John Richard; Applicant Initiated Interview Summary for U.S. Appl. No. 13/164,464, filed Mar. 20, 2011, mailed Mar. 11, 2014, 5 pgs.
 Muse, John Richard; Final Office Action for U.S. Appl. No. 13/164,464, filed Jun. 20, 2011, dated Jan. 10, 2014, 8 pgs.

Muse, John Richard; Final Office Action for U.S. Appl. No. 13/164,464, filed Jun. 20, 2011, dated Sep. 23, 2013, 8 pgs.

Muse, John Richard; Final Office Action for U.S. Appl. No. 13/164,464, filed Jun. 20, 2011; dated Feb. 22, 2013, 6 pgs.

Muse, John Richard; Issue Notification for U.S. Appl. No. 13/164,464, filed Jun. 20, 2011, mailed Sep. 3, 2014, 1 pg.

Muse, John Richard; Non-Final Office Action for U.S. Appl. No. 13/164,464, filed Jun. 20, 2011, dated May 29, 2013, 12 pgs.

Muse, John Richard; Non-Final Office Action for U.S. Appl. No. 13/164,464, filed Jun. 20, 2011; dated Nov. 16, 2012, 17 pgs.

Muse, John Richard; Notice of Allowance for U.S. Appl. No. 13/164,464, filed Jun. 20, 2011, dated Jan. 29, 2014, 11 pgs.

Muse, John Richard; Restriction Requirement for U.S. Appl. No. 13/164,464, filed Jun. 20, 2011, dated Oct. 19, 2012; 6 pgs.

Muse, John Richard; Non-Final Office Action for U.S. Appl. No. 14/447,043, filed Jul. 30, 2014, dated Mar. 31, 2015, 32 pgs.

Muse, John Richard; Notice of Allowance for U.S. Appl. No. 14/447,043, filed Jul. 30, 2014, dated Jul. 23, 2015, 12 pgs.

Muse, John Richard; Corrected Notice of Allowability for U.S. Appl. No. 14/447,058, filed Jul. 30, 2014, dated Jul. 8, 2015, 4 pgs.

Muse, John Richard; Issue Notification for U.S. Appl. No. 14/447,058, filed Jul. 30, 2014, mailed Jul. 22, 2015, 1 pg.

Muse, John Richard; Notice of Allowance for U.S. Appl. No. 14/447,058, filed Jul. 30, 2014, dated Mar. 30, 2015, 34 pgs.

Muse, John Richard; Non-Final Office Action for U.S. Appl. No. 14/748,772, filed Jun. 24, 2015, dated Oct. 2, 2015, 30 pgs.

Muse, John Richard; Applicant Initiated Interview Summary for U.S. Appl. No. 13/164,473, filed Mar. 20, 2011, mailed Dec. 2, 2013, 3 pgs.

Muse, John Richard; Final Office Action for U.S. Appl. No. 13/164,473, filed Jun. 20, 2011, dated Dec. 13, 2013, 28 pgs.

Muse, John Richard; Issue Notification for U.S. Appl. No. 13/164,473, filed Jun. 20, 2011, mailed Jun. 4, 2014, 1 pg.

Muse, John Richard; Notice of Allowance for U.S. Appl. No. 13/164,473, filed Jun. 20, 2011, dated Mar. 13, 2014, 12 pgs.

Muse, John Richard; Supplemental Notice of Allowability for U.S. Appl. No. 13/164,473, filed Jun. 20, 2011, dated May 27, 2014, 6 pgs.

Muse, John; Final Office Action for U.S. Appl. No. 13/164,473, filed Jun. 20, 2011, dated Mar. 13, 2013, 16 pgs.

MUSE; Non-Final Office Action for U.S. Appl. No. 13/164,473, filed Jun. 20, 2011, dated Dec. 3, 2012; 19 pgs.

MUSE; Non-Final Office Action for U.S. Appl. No. 13/164,473, filed Jun. 20, 2011, dated Jun. 25, 2013, 14 pgs.

Muse, John Richard; Final Office Action for U.S. Appl. No. 13/164,481, filed Jun. 20, 2011, dated Apr. 5, 2013, 17 pgs.

Muse, John Richard; Non-Final Office Action for U.S. Appl. No. 13/164,481, filed Jun. 20, 2011, dated Dec. 5, 2012; 18 pgs.

Muse, John Richard; Notice of Allowance for U.S. Appl. No. 13/164,481, filed Jun. 20, 2011, dated Oct. 23, 2013, 11 pgs.

MUSE; Non-Final Office Action for U.S. Appl. No. 13/164,481, filed Jun. 20, 2011, dated Jul. 11, 2013, 11 pgs.

Muse, John Richard; Advisory Action for U.S. Appl. No. 13/551,575, filed Jul. 17, 2012, dated Dec. 4, 2014, 3 pgs.

Muse, John Richard; Applicant-Initiated Interview Summary for U.S. Appl. No. 13/551,575, filed Jul. 17, 2012, dated Dec. 19, 2014, 3 pgs.

Muse, John Richard; Final Office Action for U.S. Appl. No. 13/551,575, filed Jul. 17, 2012, dated Sep. 30, 2014, 22 pgs.

Muse, John Richard; Issue Notification for U.S. Appl. No. 13/551,575, filed Jul. 17, 2012, mailed May 27, 2015, 1 pg.

Muse, John Richard; Non-Final Office Action for U.S. Appl. No. 13/551,575, filed Jul. 17, 2012, dated Dec. 6, 2013, 45 pgs.

Muse, John Richard; Non-Final Office Action for U.S. Appl. No. 13/551,575, filed Jul. 17, 2012, dated May 16, 2014, 12 pgs.

Muse, John Richard; Notice of Allowance for U.S. Appl. No. 13/551,575, filed Jul. 17, 2012, dated Feb. 2, 2015, 12 pgs.

Muse, John Richard; Advisory Action for U.S. Appl. No. 14/701,022, filed Apr. 30, 2015, dated Jan. 21, 2016, 4 pgs.

Muse, John Richard; Applicant Interview Summary for U.S. Appl. No. 14/701,022, filed Apr. 30, 2015, dated Dec. 22, 2015, 3 pgs.

Muse, John Richard; Final Office Action for U.S. Appl. No. 14/701,022, filed Apr. 30, 2015, dated Oct. 22, 2015, 27 pgs.

Muse, John Richard; Issue Notification for U.S. Appl. No. 14/701,022, filed Apr. 30, 2015, mailed May 11, 2016, 1 pg.

Muse, John Richard; Non-Final Office Action for U.S. Appl. No. 14/701,022, filed Apr. 30, 2015, dated May 3, 2015, 12 pgs.

Muse, John Richard; Notice of Allowance for U.S. Appl. No. 14/701,022, filed Apr. 30, 2015, dated Feb. 8, 2016, 12 pgs.

Muse, John Richard; Issue Notification for U.S. Appl. No. 15/139,375, filed Apr. 27, 2016, mailed Jan. 4, 2017; 1 pg.

Muse, John Richard; Notice of Allowance for U.S. Appl. No. 15/139,375, filed Apr. 27, 2016; dated Sep. 28, 2016; 35 pgs.

Muse, John, R.; Applicant Initiated Interview Summary for U.S. Appl. No. 15/139,375, filed Apr. 27, 2016, dated Mar. 6, 2016, 3 pgs.

Muse, John Richard; Issue Notification for U.S. Appl. No. 15/373,103, filed Dec. 8, 2016, mailed Jun. 21, 2017; 1 page.

Muse, John Richard; Non-final Office Action for U.S. Appl. No. 15/373,103, filed Dec. 8, 2016, dated Feb. 7, 2017; 9 pgs.

Muse, John Richard; Notice of Allowance for U.S. Appl. No. 15/373,103, filed Dec. 8, 2016, dated Mar. 16, 2017; 6 pgs.

Muse, John Richard; Notice of Allowance for U.S. Appl. No. 14/854,777, filed Sep. 15, 2015, dated Sep. 19, 2016, 10 pgs.

Muse, John Richard; Advisory Action for U.S. Appl. No. 14/854,777, filed Sep. 15, 2015, dated Jul. 25, 2016, 3 pgs.

Muse, John Richard; Applicant Initiated Interview Summary for U.S. Patent Application No. 14/854,777, filed Sep. 15, 2015, dated Jun. 16, 2016, 3 pgs.

Muse, John Richard; Applicant-Initiated Interview Summary for U.S. Appl. No. 14/854,777, filed Sep. 15, 2015, dated Aug. 26, 2016; 3 pgs.

Muse, John Richard; Non-Final Office Action for U.S. Appl. No. 14/854,777, filed Sep. 15, 2015, dated Dec. 22, 2015, 38 pgs.

Muse, John Richard; Final Office Action for U.S. Appl. No. 14/854,777, filed Sep. 15, 2015, dated May 24, 2016, 12 pgs.

Muse, John Richard; Issue Notification for U.S. Appl. No. 14/854,777, filed Sep. 15, 2015, mailed Nov. 22, 2016; 1 pg.

MUSE; Non-Final Office Action U.S. Appl. No. 15/615,895, filed Jun. 7, 2017, dated Sep. 14, 2017; 38 pgs.

Muse, John Richard; Notice of Allowance for U.S. Appl. No. 15/615,895, filed Jun. 7, 2017, dated Dec. 8, 2017, 13 pgs.

Muse, John Richard; Issue Notification for U.S. Appl. No. 15/615,895, filed Jun. 7, 2017, mailed Jan. 31, 2018, 1 P9.

Muse, John Richard; Non-Final Office Action for U.S. Appl. No. 13/551,583, filed Jul. 17, 2012, dated Jul. 15, 2014, 38 pgs.

Muse, John Richard; Final Office Action for U.S. Appl. No. 13/551,583, filed Jul. 17, 2012, dated Dec. 31, 2014, 16 pgs.

Muse, John Richard; Non-Final Office Action for U.S. Appl. No. 13/551,583, filed Jul. 17, 2012, dated Apr. 1, 2015, 12 pgs.

Muse, John Richard; Notice of Allowance for U.S. Appl. No. 13/551,583, filed Jul. 17, 2012, dated Sep. 28, 2015, 13 pgs.

Muse, John Richard; Supplemental Notice of Allowability for U.S. Appl. No. 13/551,583, filed Jul. 17, 2012, dated Oct. 15, 2015, 5 pgs.

KNOWLEDGEBOARD.CO; Article entitled: "Leaf Bag Holder", Apr. 21, 2019, 23 pgs.

DONTHUNTMENOW.CLUB; Article entitled: "Paper Leaf Bag", Dec. 1, 2018, 23 pgs.

ALIBABA.COM; Article entitled: "Heavy Duty 32 Gallon Reusable Collapsible Yard Waste Container", publicly available prior to Aug. 19, 2019, 4 pgs.

The Home Depot; Article entitled: "Leaf Easy Plastic Leaf and Lawn Chute", publicly available prior to Aug. 19, 2019, 3 pgs.

Chen, Shifeng; Non-Final Office Action for U.S. Appl. No. 16/703,272, filed Dec. 4, 2019, dated Sep. 17, 2021, 49 pgs.

Chen, Shifeng; Notice of Allowance for U.S. Design U.S. Appl. No. 29/715,749, filed Dec. 4, 2019, dated Jan. 21, 2021, 36 pgs.

Chen, Shifeng; Corrected Notice of Allowance for Design U.S. Appl. No. 29/715,749, filed Dec. 4, 2019, dated May 8, 2021, 6 pgs.

Chen, Shifeng; Corrected Notice of Allowance for Design U.S. Appl. No. 29/715,749, filed Dec. 4, 2019, dated Jul. 26, 2021, 6 pgs.

Chen, Shifeng; Notice of Allowance for U.S. Design U.S. Appl. No. 29/175,742, filed Dec. 4, 2019, dated May 29, 2021, 42 pgs.

Chen, Shifeng; Corrected Notice of Allowance for U.S. Appl. No. 29/715,742, filed Dec. 4, 2019, dated May 31, 2021, 6 pgs.

Chen, Shifeng; Corrected Notice of Allowance for Design U.S.
Appl. No. 29/715,742, filed Dec. 4, 2019, dated Oct. 4, 2021, 6 pgs.

* cited by examiner

Primary Examiner — Abraham Bahta
(74) *Attorney, Agent, or Firm* — Taylor English Duma
LLP

(57) **CLAIM**

We claim the ornamental design for a lawn refuse bag, as shown and described.

DESCRIPTION

FIG. 1 is a top perspective view of a lawn refuse bag in an assembled configuration and an erect orientation.

FIG. 2 is a left-side elevation view thereof.

FIG. 3 is a right-side elevation view thereof.

FIG. 4 is a front elevation view thereof.

FIG. 5 is a rear elevation view thereof.

FIG. 6 is a top plan view thereof.

FIG. 7 is a bottom plan view thereof.

FIG. 8 is a top plan view of the lawn refuse bag of FIG. 1 in a blank configuration; and,

FIG. 9 is a front elevation view showing the lawn refuse bag of FIG. 1 in a collapsed orientation.

The features shown in broken lines form no part of the claimed design.

1 Claim, 9 Drawing Sheets

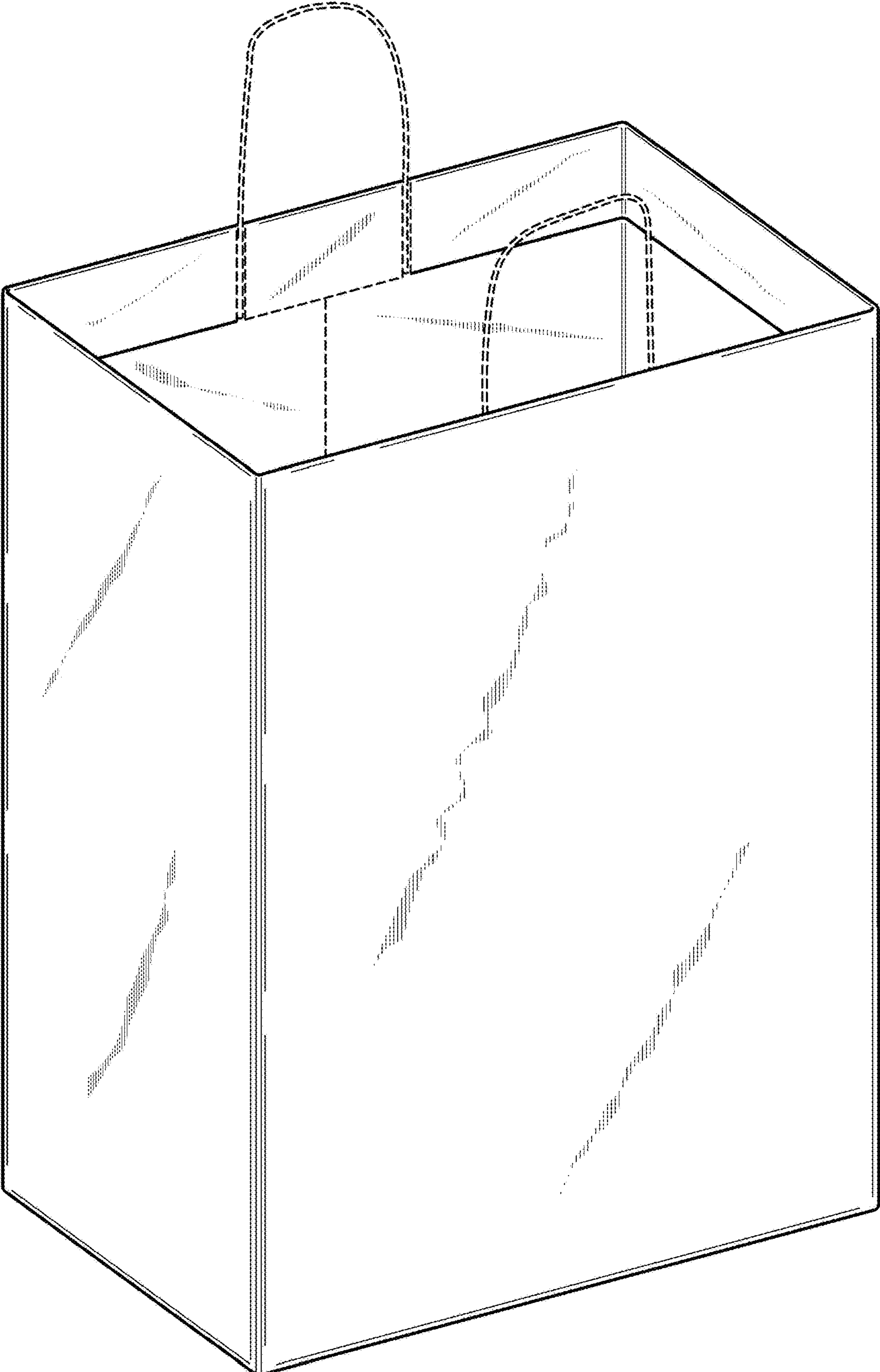


FIG. 1

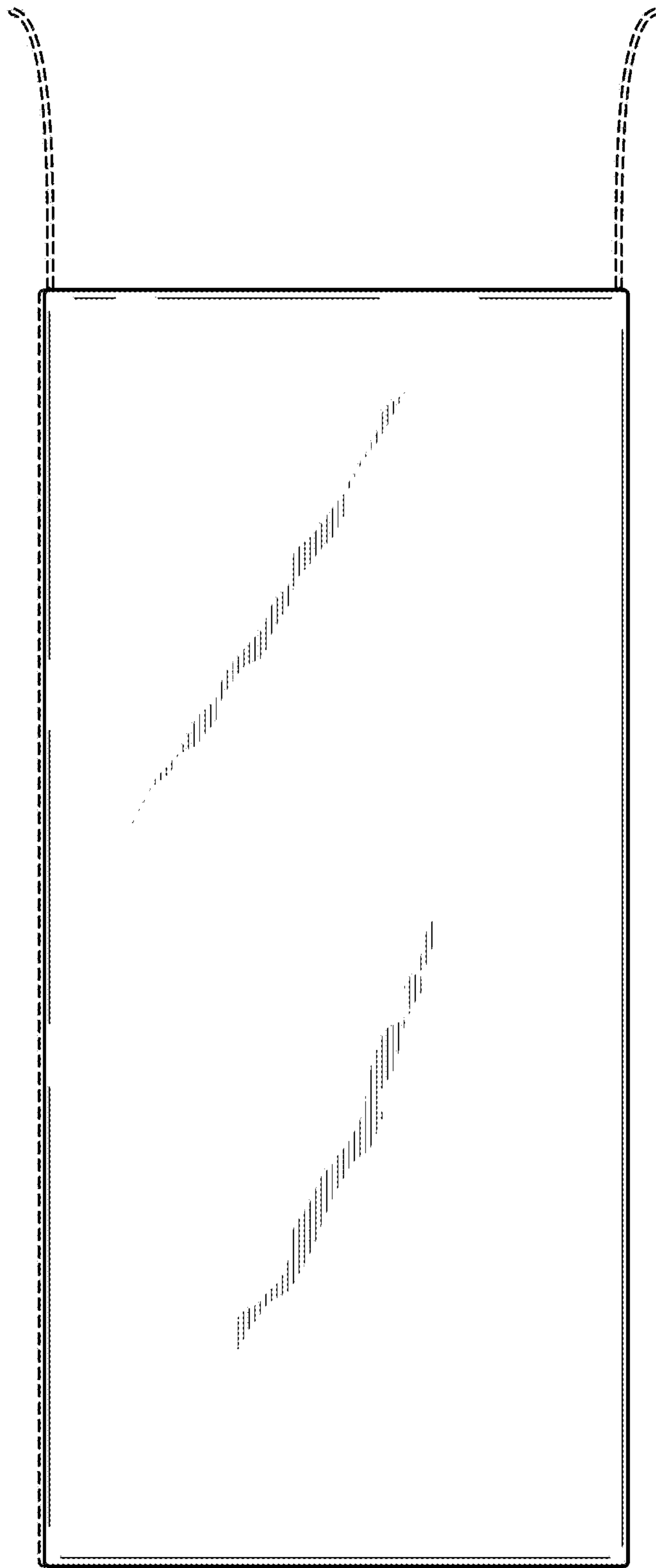


FIG. 2

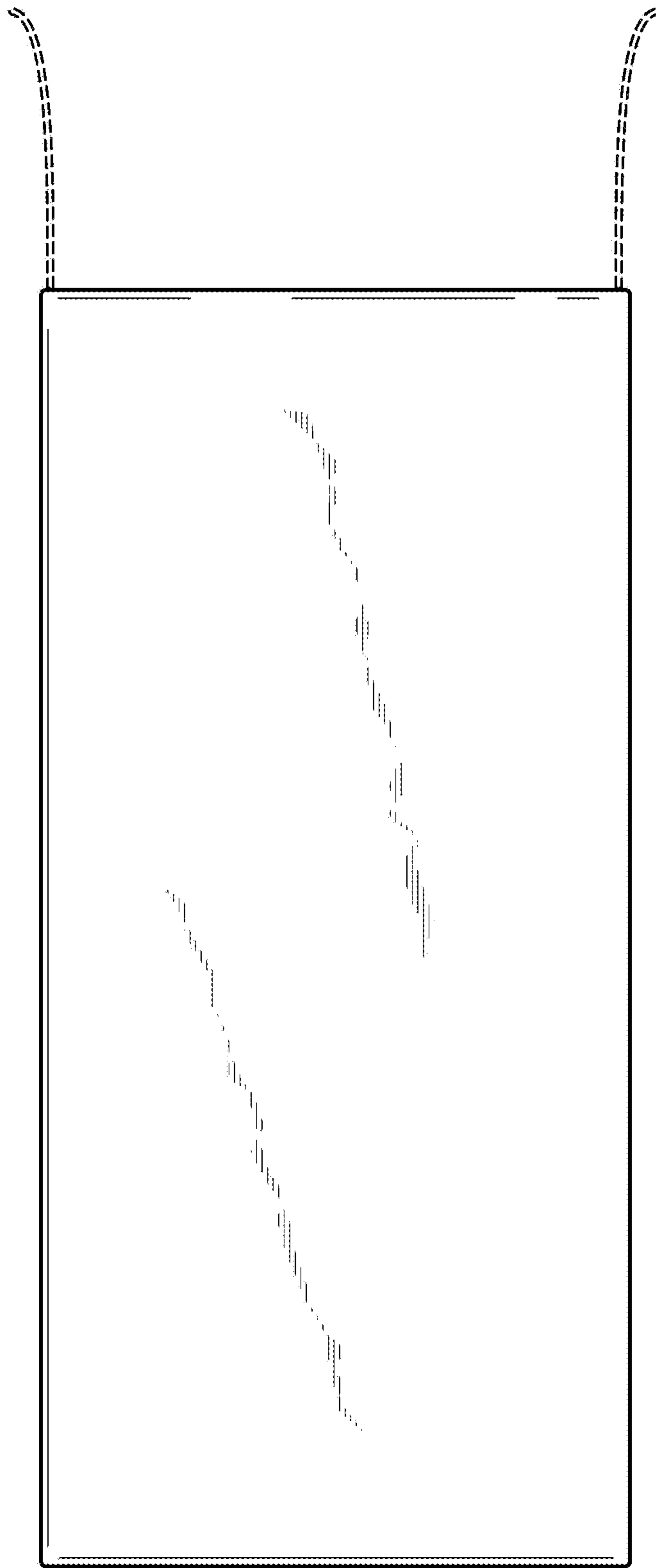


FIG. 3

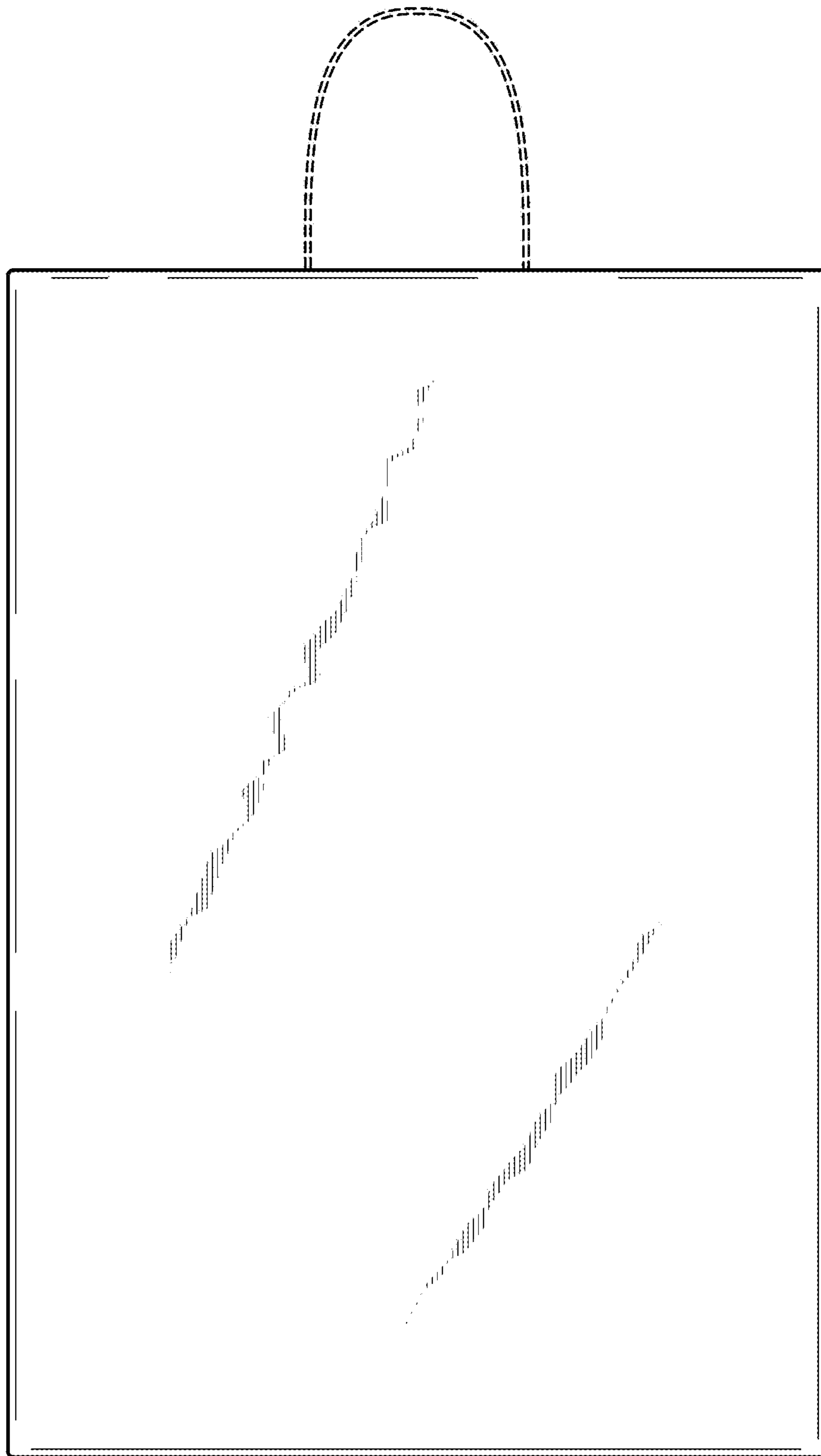


FIG. 4

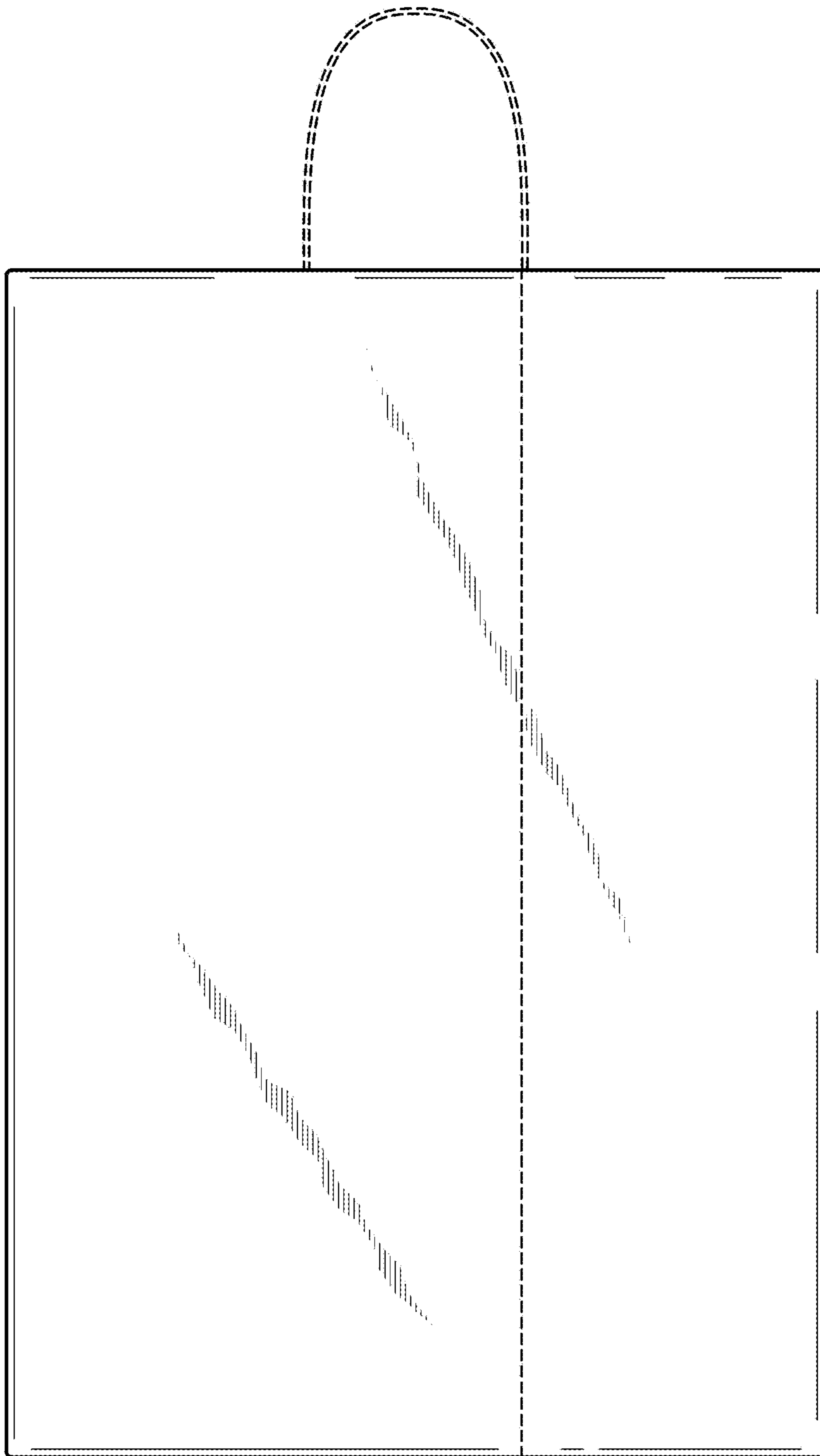


FIG. 5

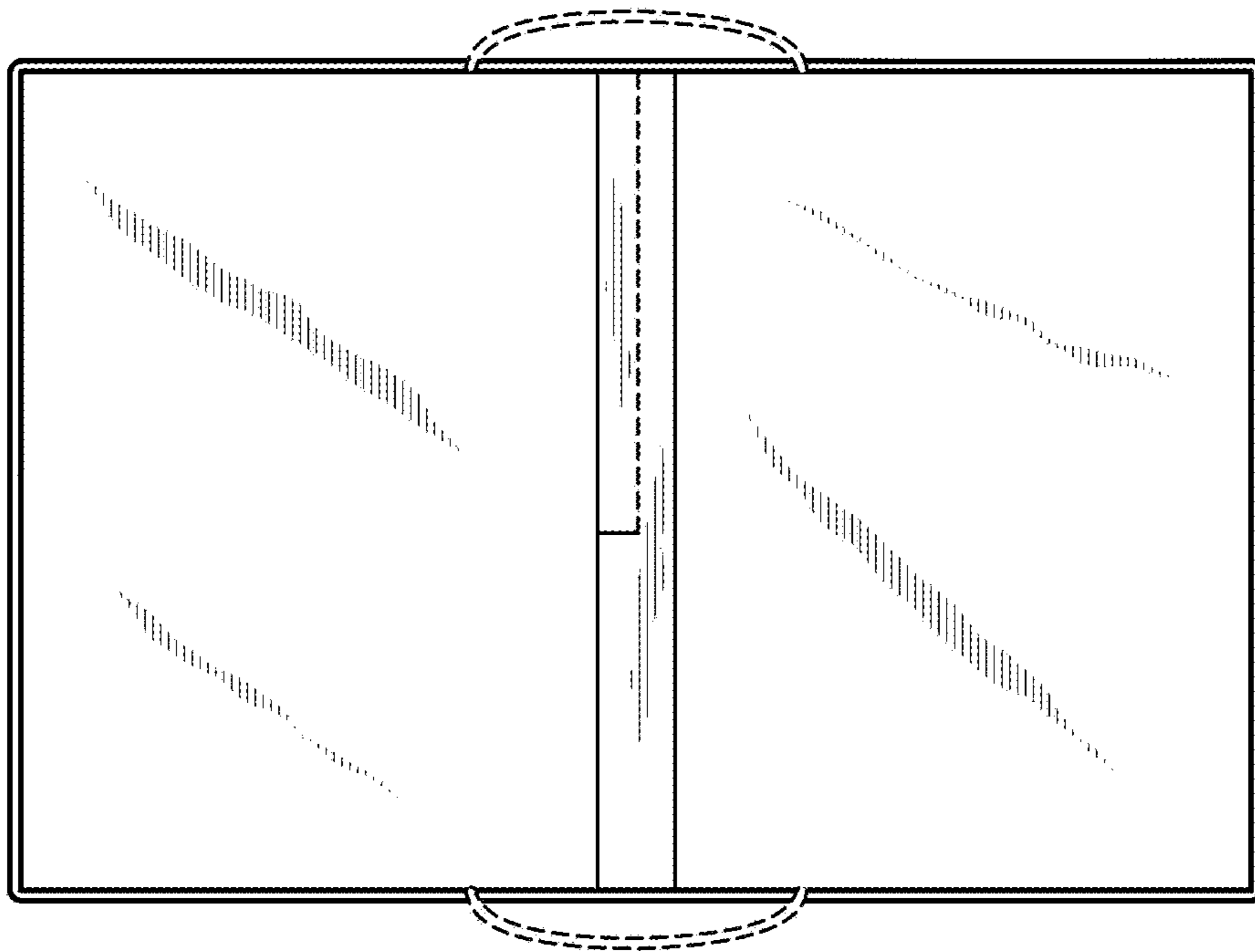


FIG. 6

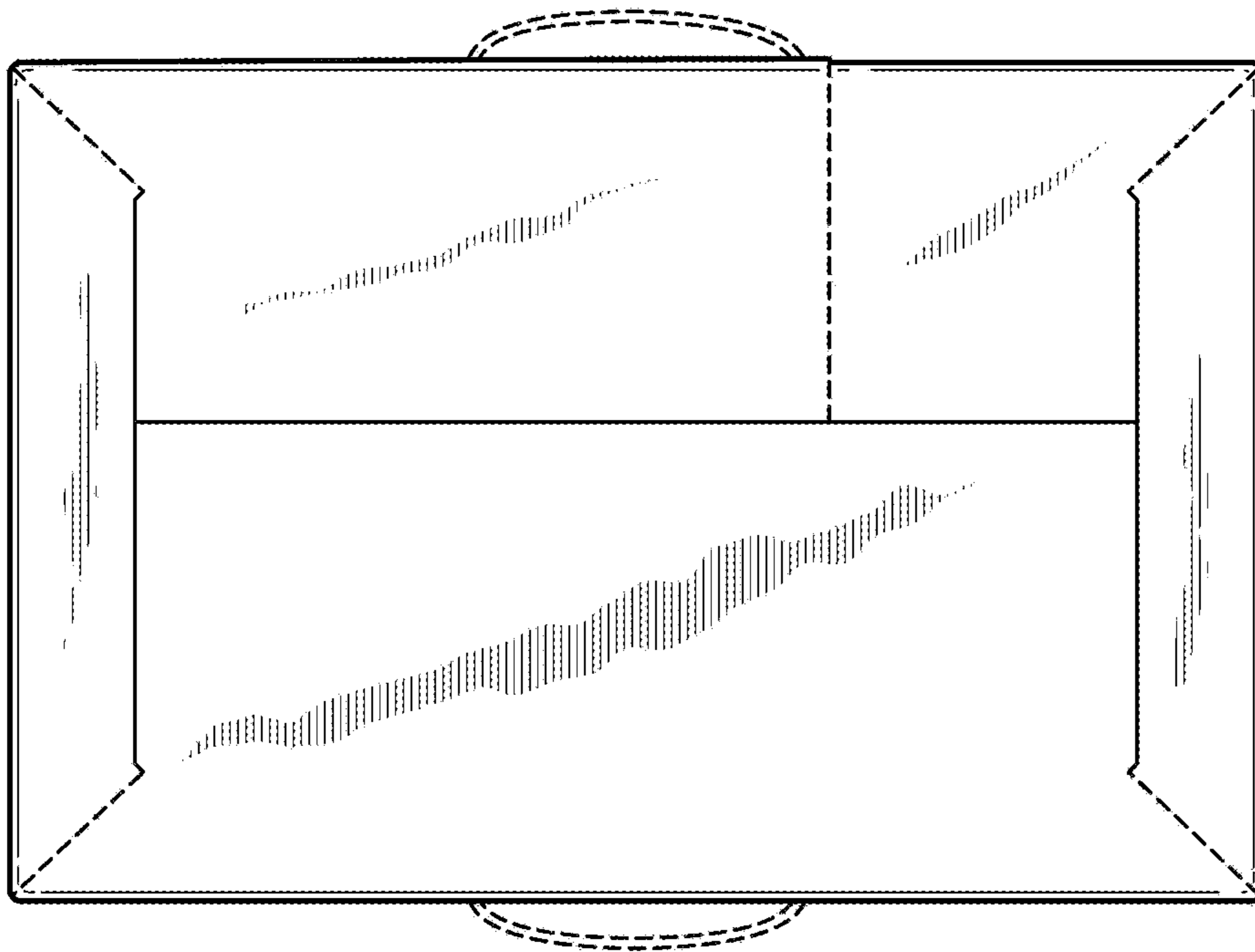


FIG. 7

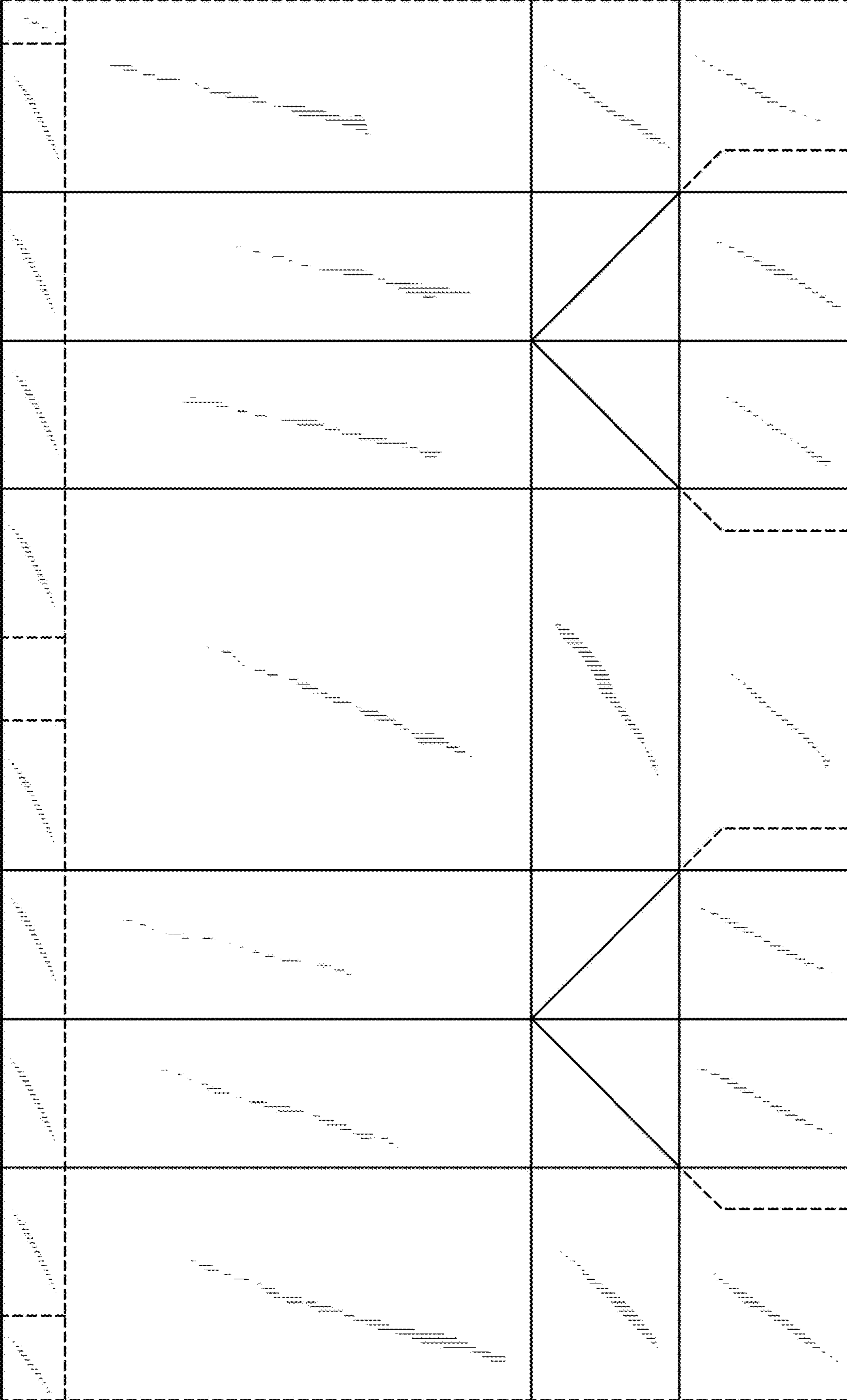


FIG. 8

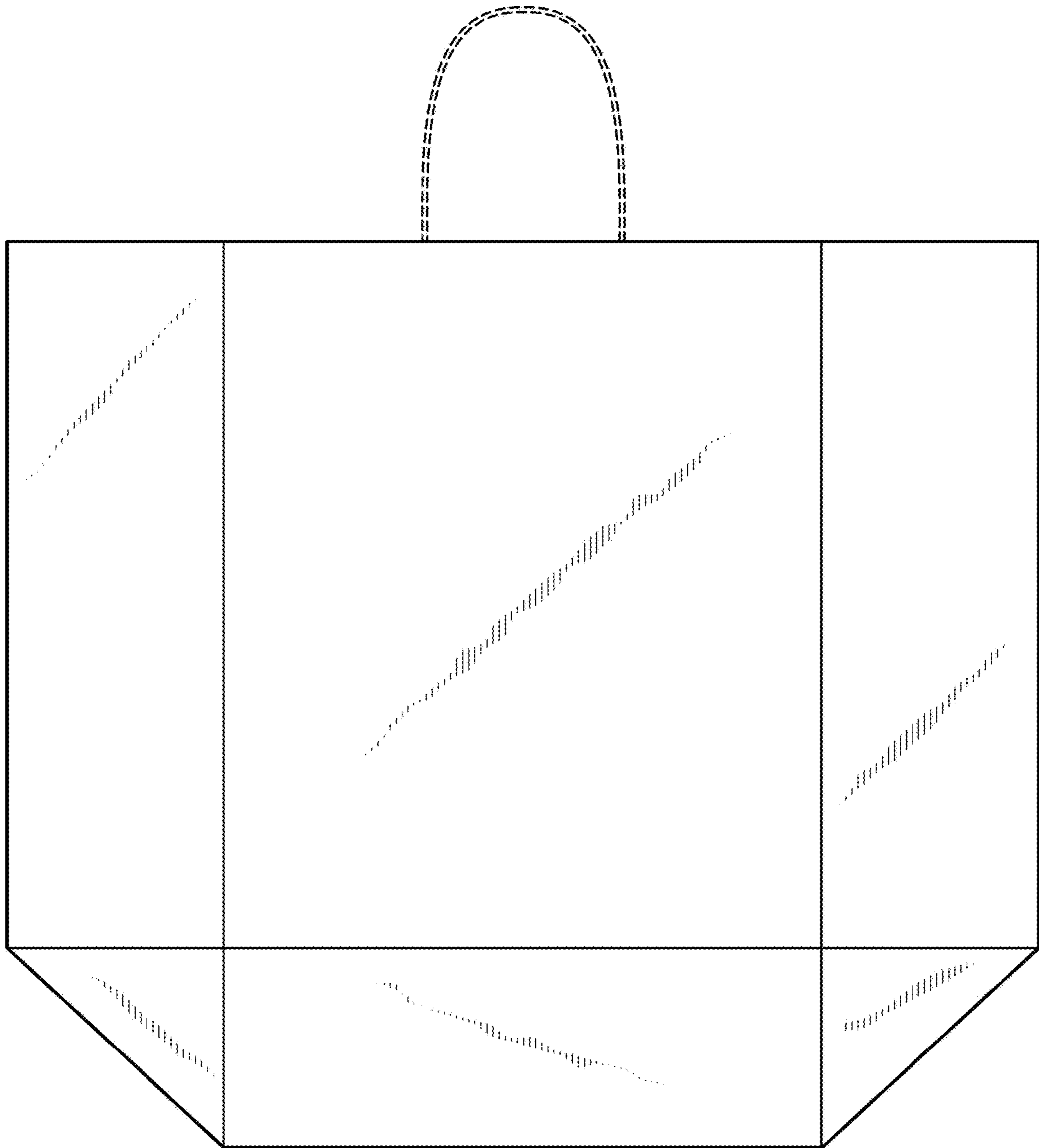


FIG. 9