



US00D941675S

(12) **United States Design Patent**
Marotti

(10) **Patent No.:** **US D941,675 S**
(45) **Date of Patent:** **** Jan. 25, 2022**

(54) **TOOTH-WHITENING PRODUCT PACKAGE**

(71) Applicant: **The Procter & Gamble Company,**
Cincinnati, OH (US)

(72) Inventor: **Martin Jay Marotti,** Carmel, IN (US)

(73) Assignee: **The Procter & Gamble Company,**
Cincinnati, OH (US)

(**) Term: **15 Years**

(21) Appl. No.: **29/747,513**

(22) Filed: **Aug. 24, 2020**

(51) **LOC (13) Cl.** **09-05**

(52) **U.S. Cl.**
USPC **D9/695**

(58) **Field of Classification Search**
USPC D9/702-714, 695-699, 435, 440, 521,
D9/454, 544, 723-724, 499, 449,
D9/727-728, 442, 447, 504; 222/92, 96,
222/107, 527-529, 215, 491, 206,
222/212-213, 251, 95, 536; 206/438,
206/822; 220/DIG. 7, 669; 215/321,
215/381, 382, 316, 380; 141/114-115;
D28/91.1, 76-78, 82, 88; D4/114;
D24/114; D7/601-602; D3/202, 205
CPC B65D 35/00; B65D 35/28; B65D 35/02;
B65D 35/04; B65D 35/08; B65D 35/36;
B65D 35/38; B65D 5/00; B65D 5/001;
B65D 5/0227; B65D 5/0254; B65D
5/0045; B65D 5/18; B65D 5/2033; B65D
5/38; B65D 1/32; B65D 1/00; B65D
1/22; B65D 1/24; B65D 1/34; B65D 1/38

See application file for complete search history.

(56) **References Cited**

U.S. PATENT DOCUMENTS

D873,150 S * 1/2020 Renard D9/697
D933,490 S * 10/2021 Marotti D9/697

* cited by examiner

Primary Examiner — Abraham Bahta

(74) *Attorney, Agent, or Firm* — Jason Jeffrey Camp

(57) **CLAIM**

The ornamental design for a tooth-whitening product package, as shown and described.

DESCRIPTION

The file of this patent contains at least one drawing/photograph executed in color. Copies of this patent with color drawing(s)/photographs(s) will be provided by the Office upon request and payment of the necessary fee.

FIG. 1 is a perspective view of a tooth-whitening product package, embodying my new design;

FIG. 2 is a front view thereof;

FIG. 3 is left side view thereof;

FIG. 4 is back side view thereof;

FIG. 5 is a right side view thereof;

FIG. 6 is a top side view thereof; and

FIG. 7 is a bottom side view thereof;

FIG. 8 is a perspective view of a second embodiment of a tooth-whitening product package, embodying my new design having a blue color and a gray color;

FIG. 9 is a front view thereof;

FIG. 10 is a left side view thereof;

FIG. 11 is a back side view thereof;

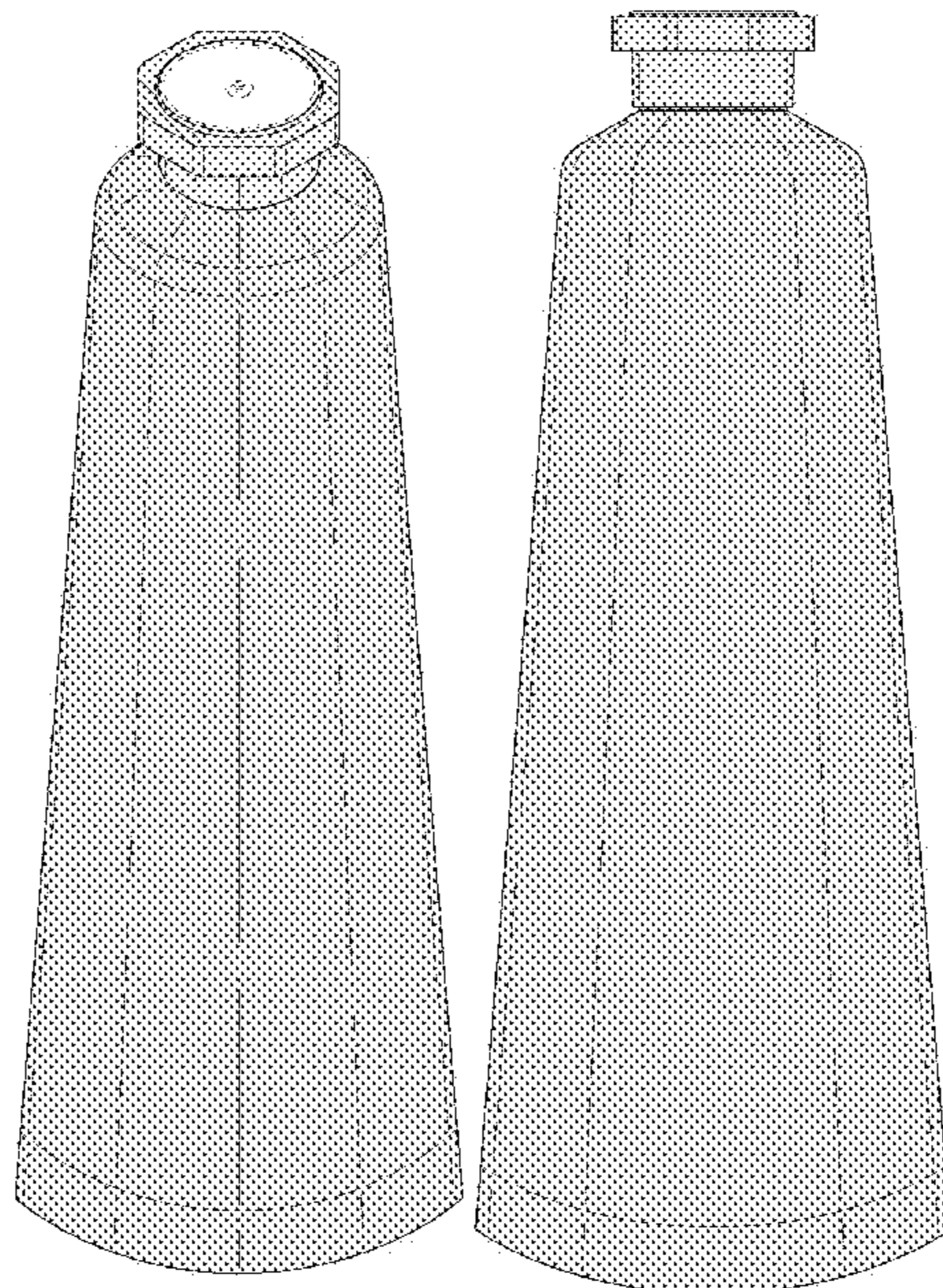
FIG. 12 is a right side view thereof;

FIG. 13 is a top side view thereof; and,

FIG. 14 is a bottom side view thereof.

The broken lines illustrate structure or features that form no part of the claimed design.

1 Claim, 6 Drawing Sheets
(3 of 6 Drawing Sheet(s) Filed in Color)



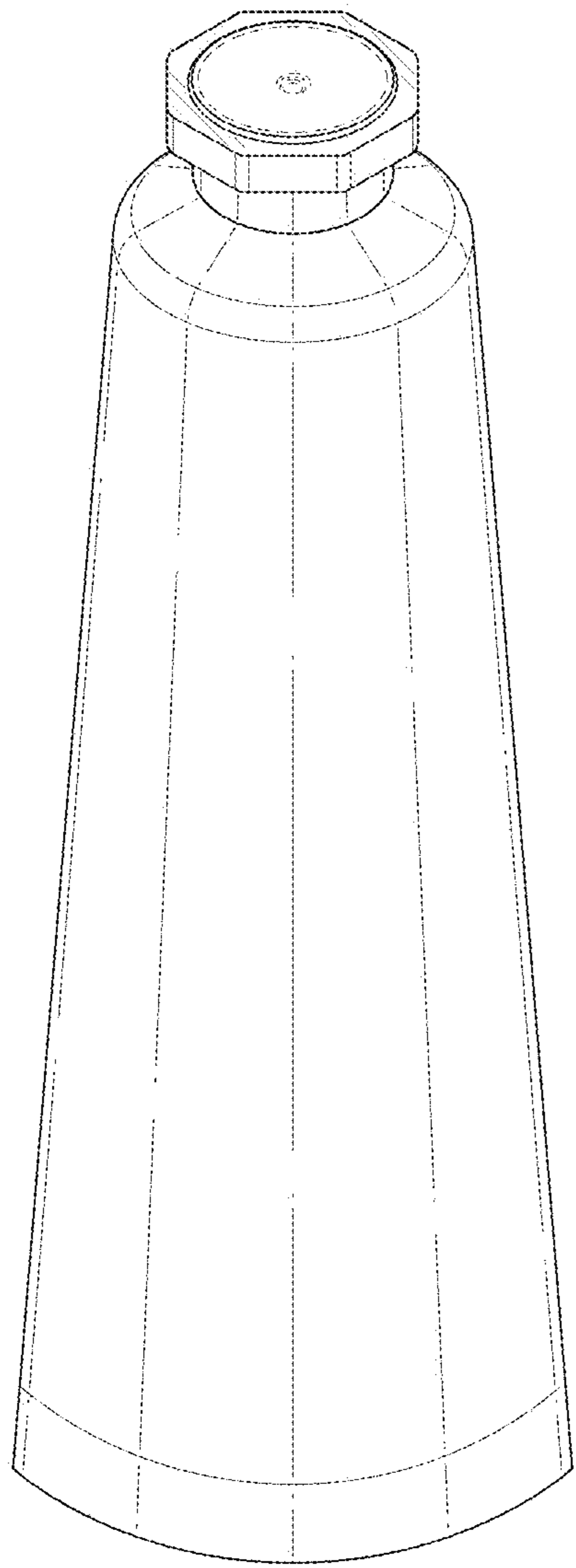


FIG. 1

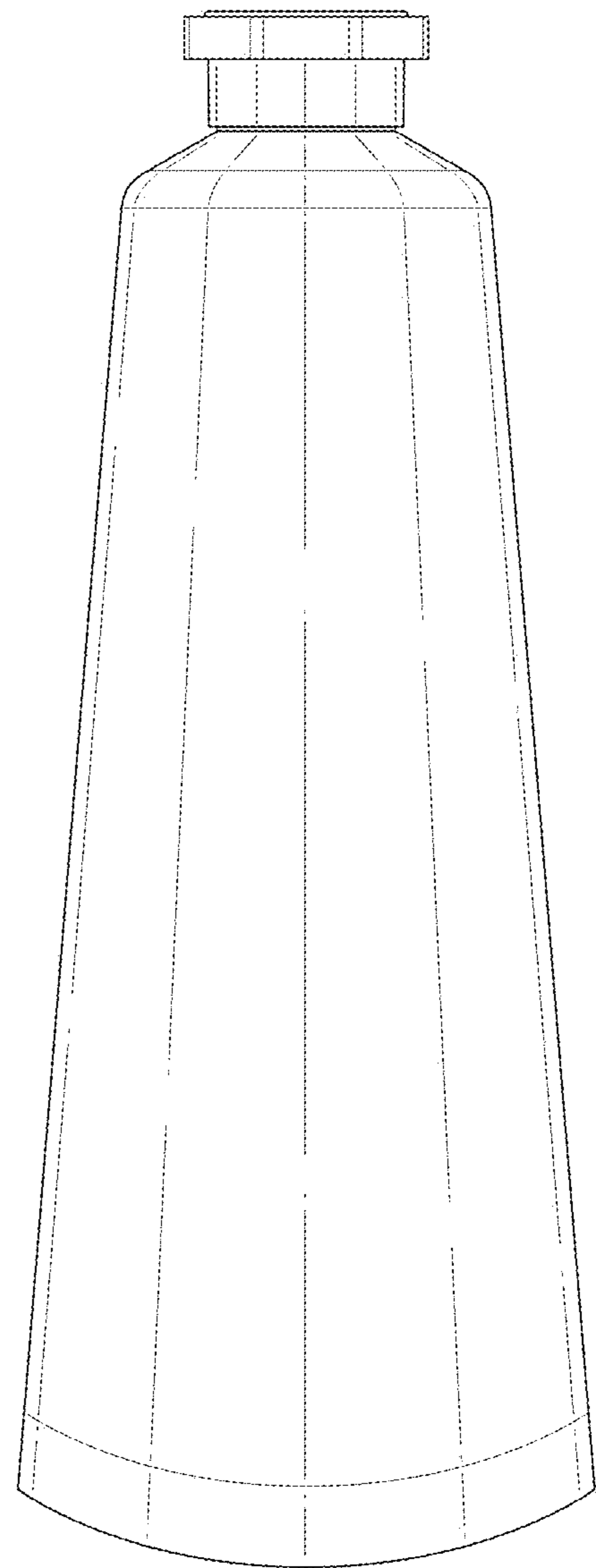


FIG. 2

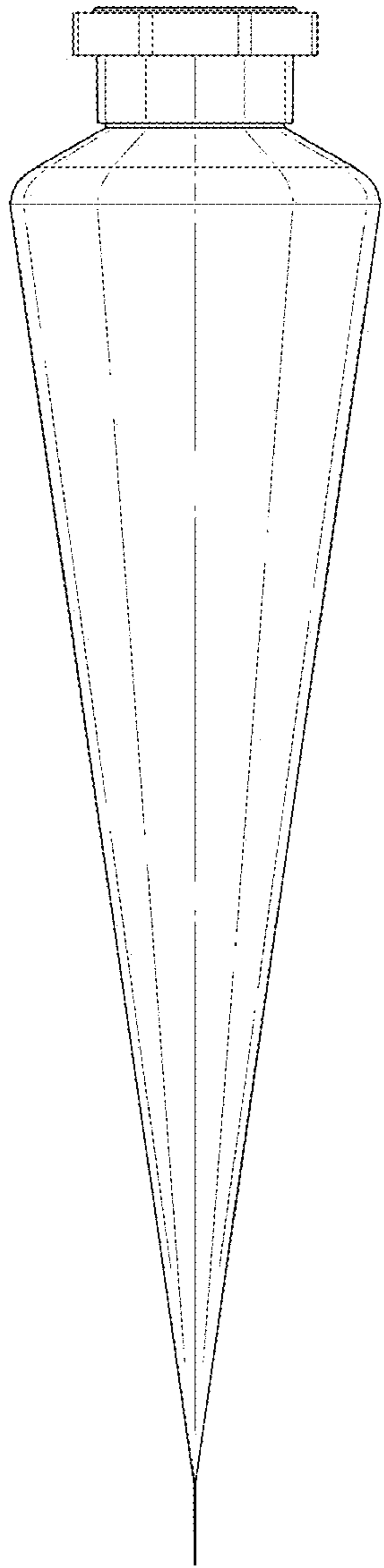


FIG. 3

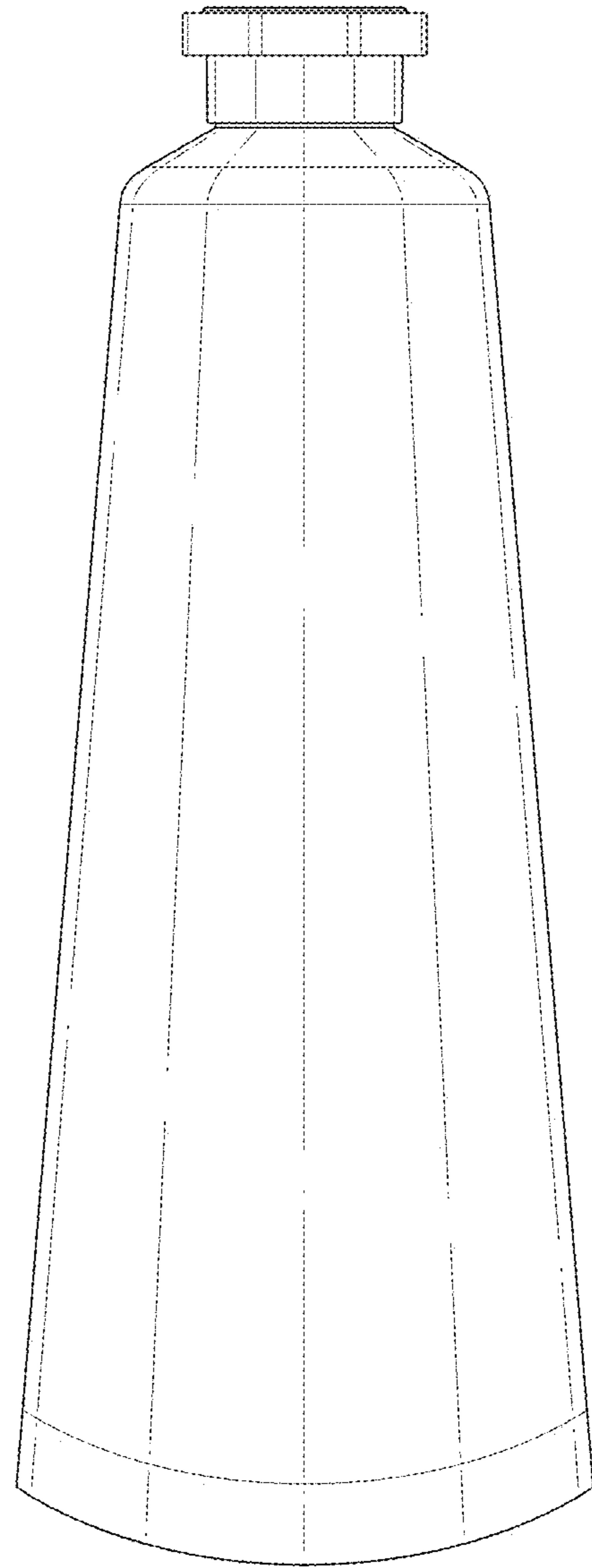


FIG. 4

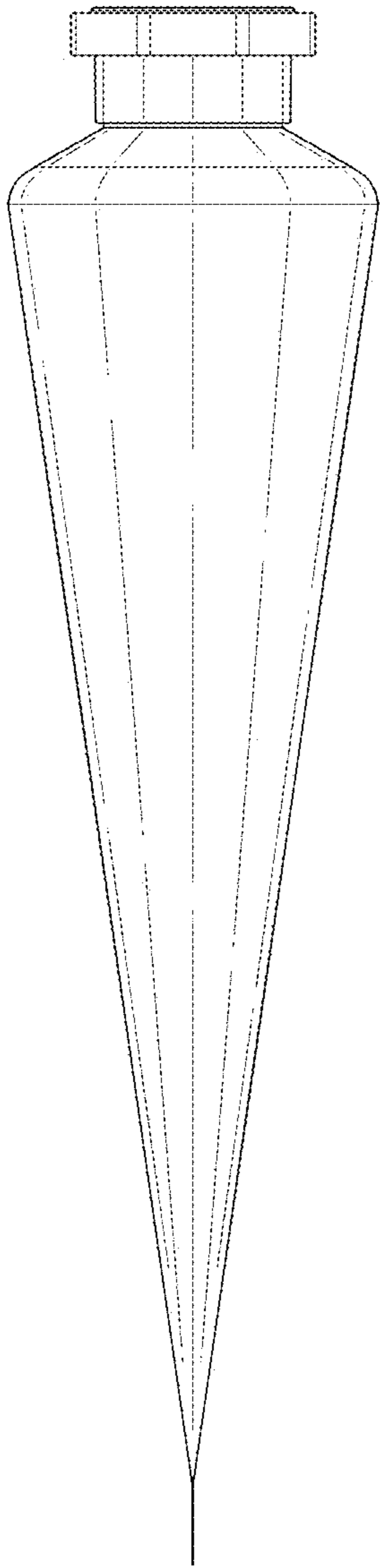


FIG. 5

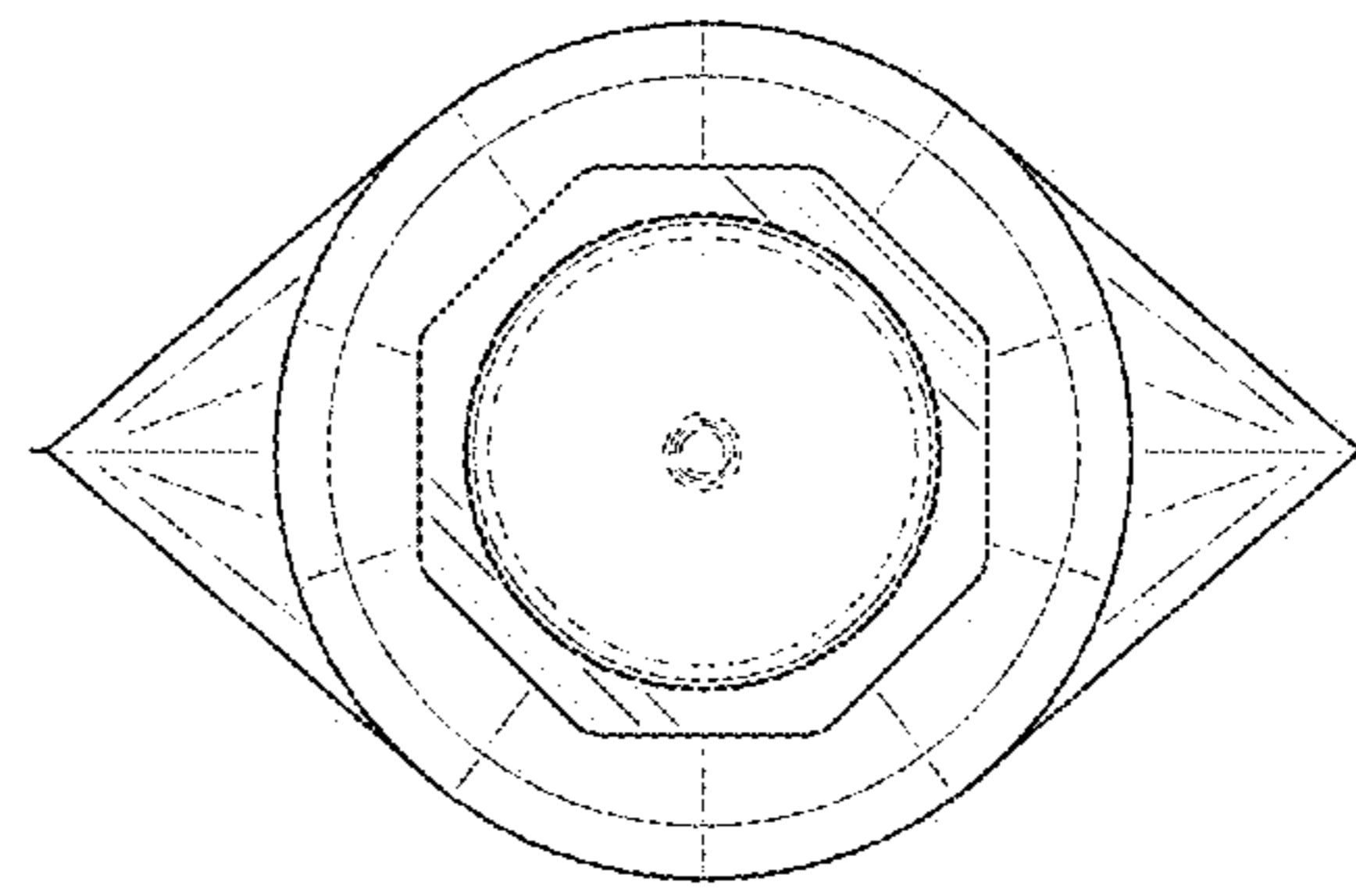


FIG. 6

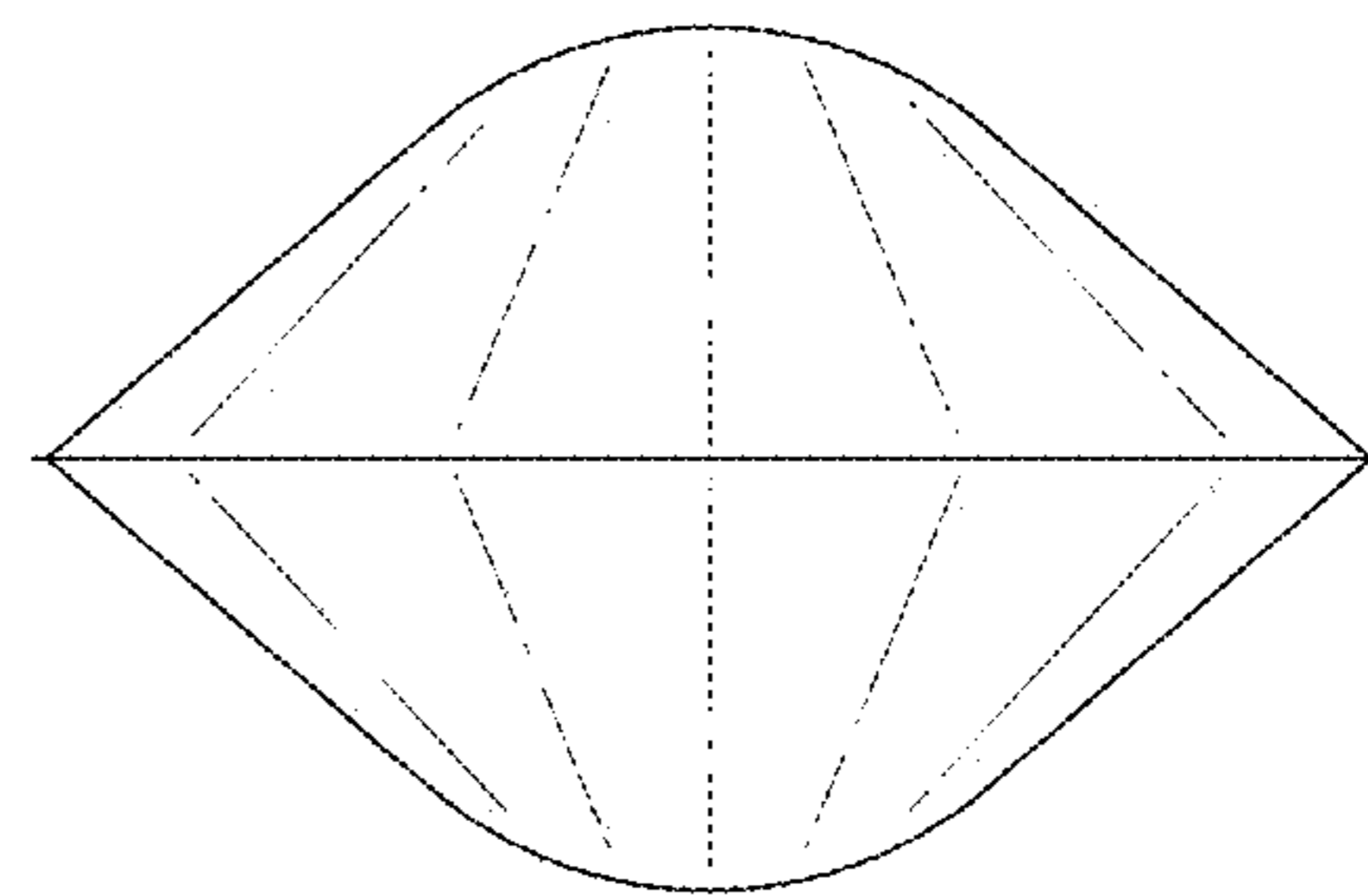


FIG. 7

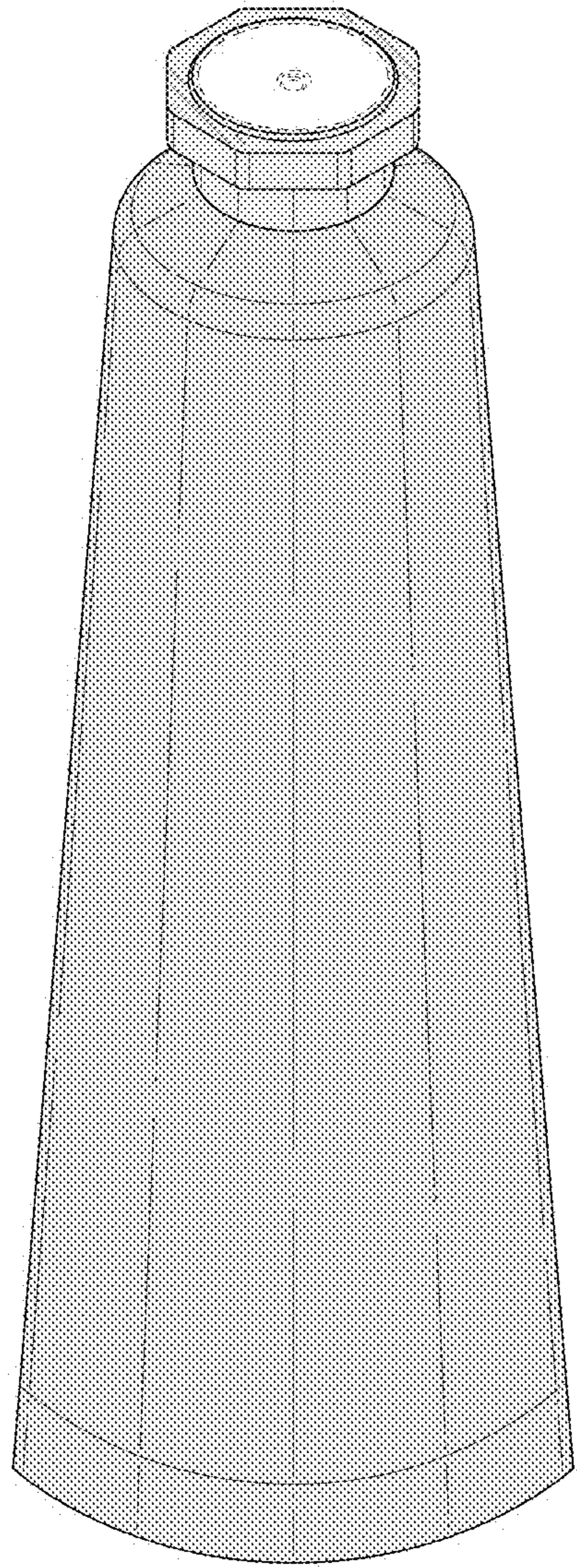


FIG. 8

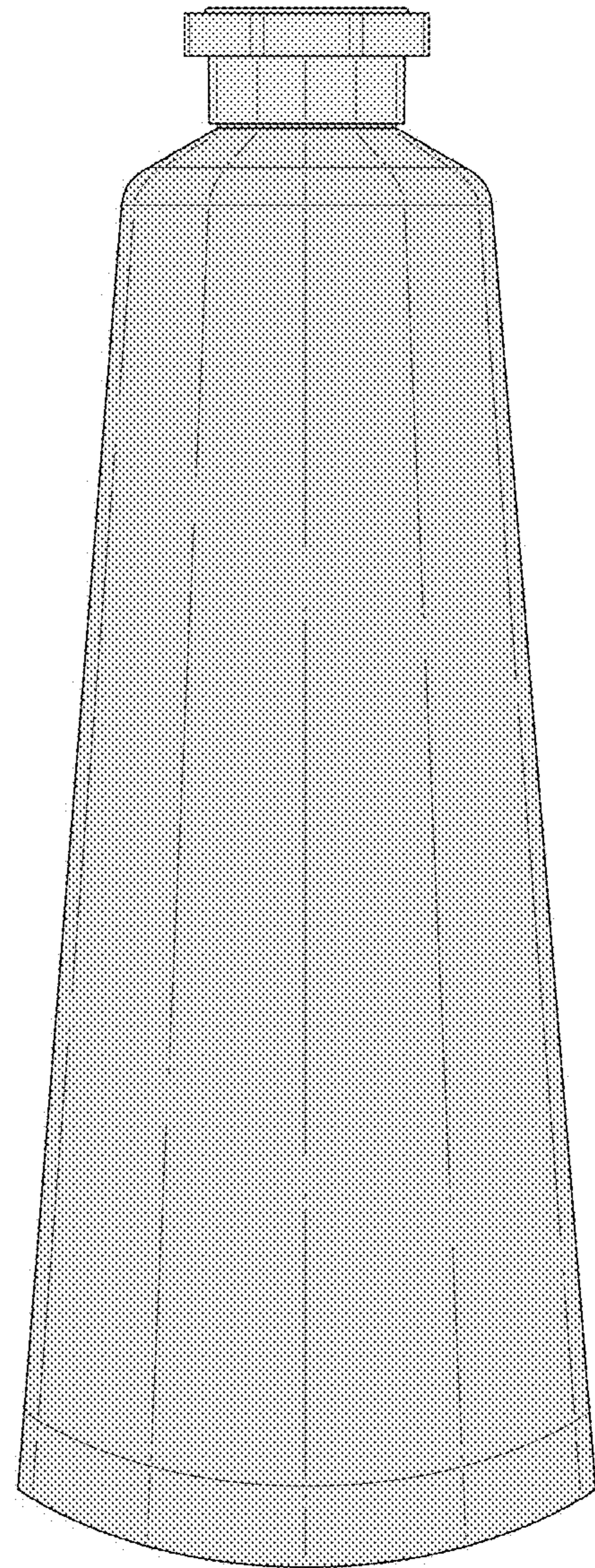


FIG. 9

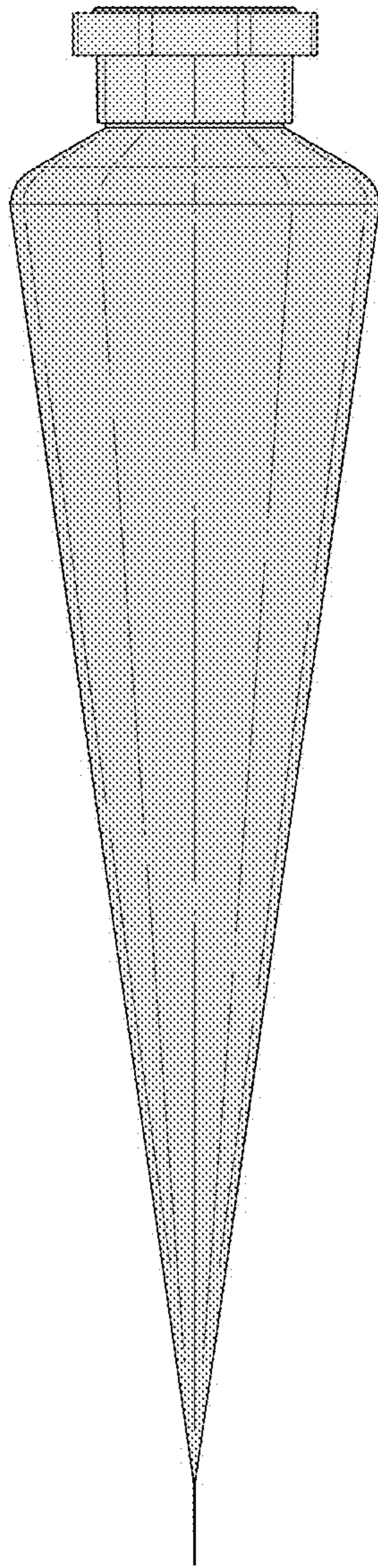


FIG. 10

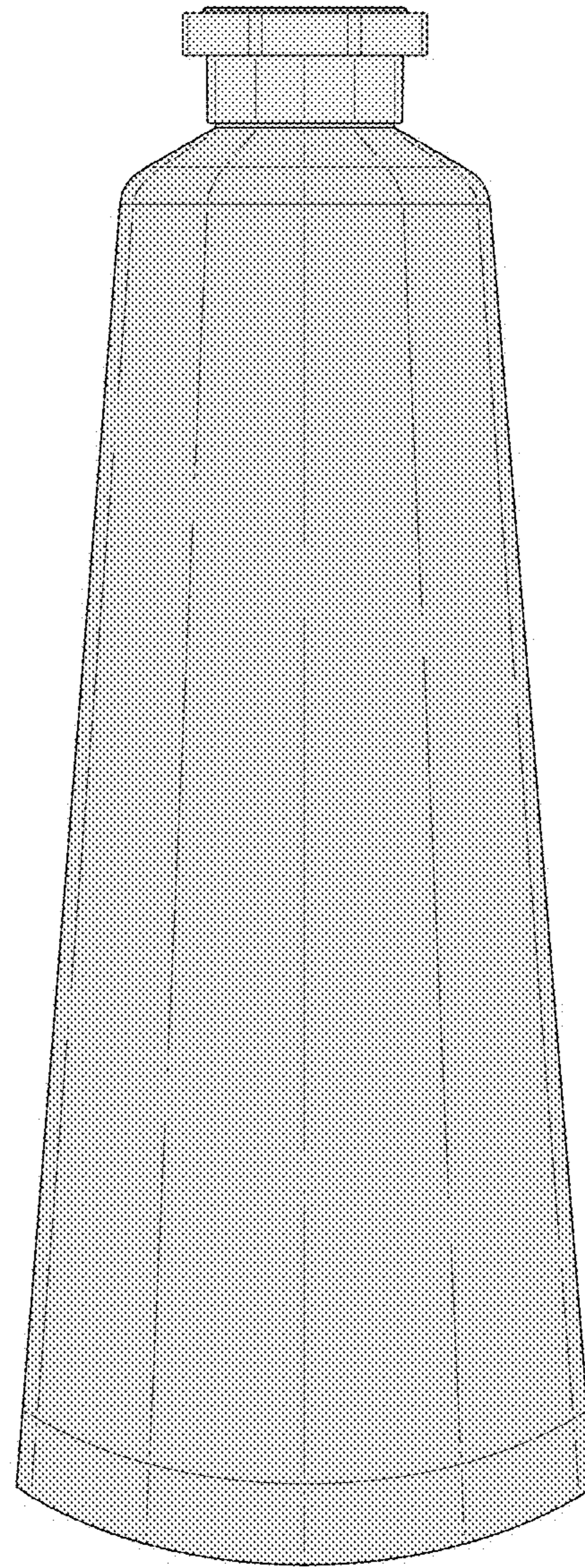


FIG. 11

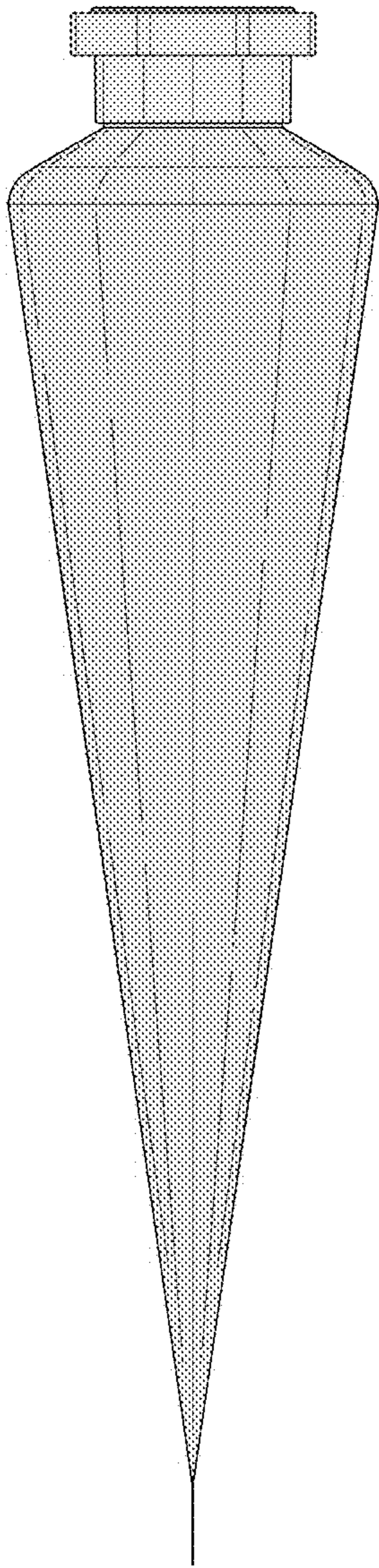


FIG. 12

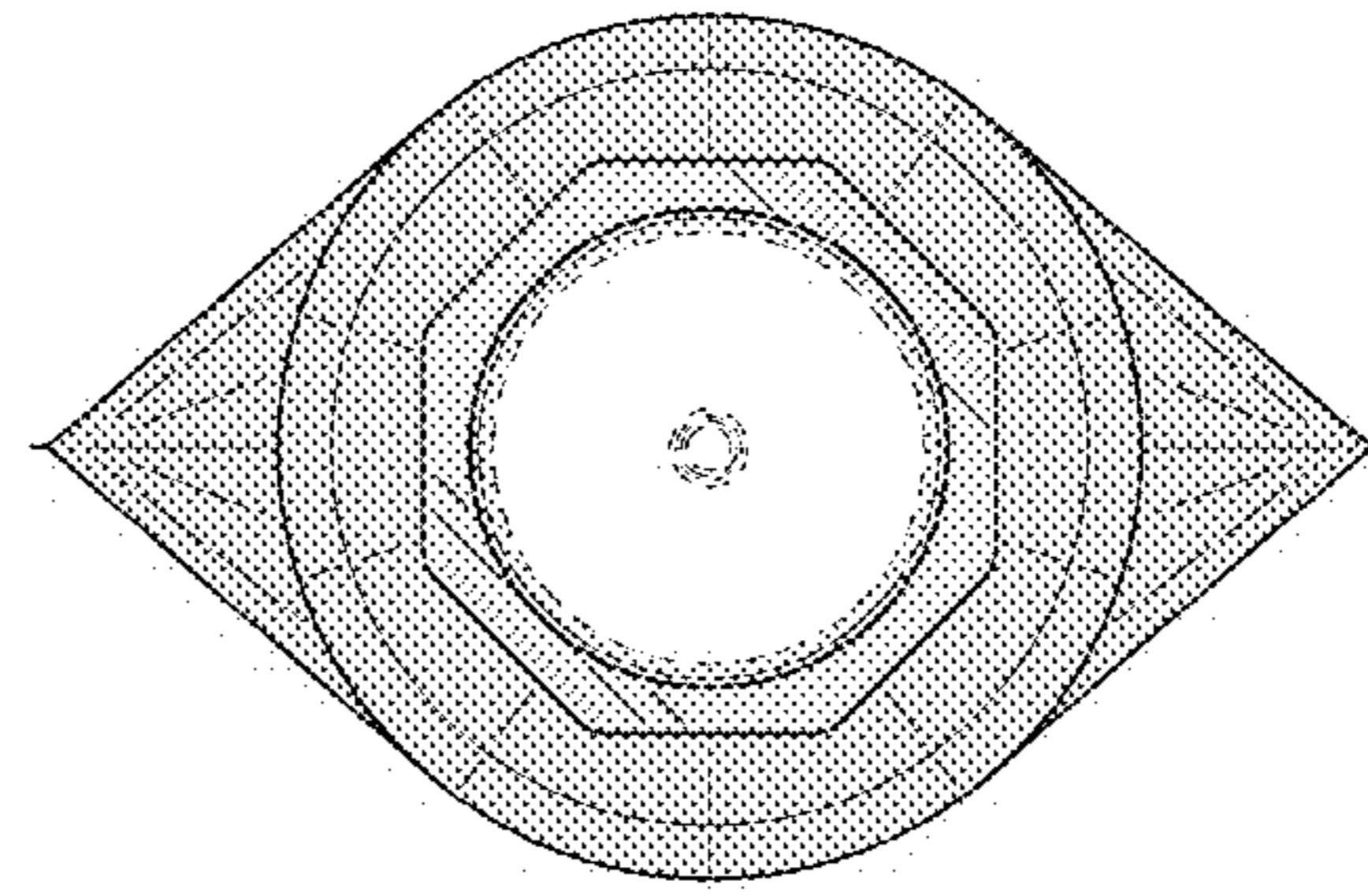


FIG. 13

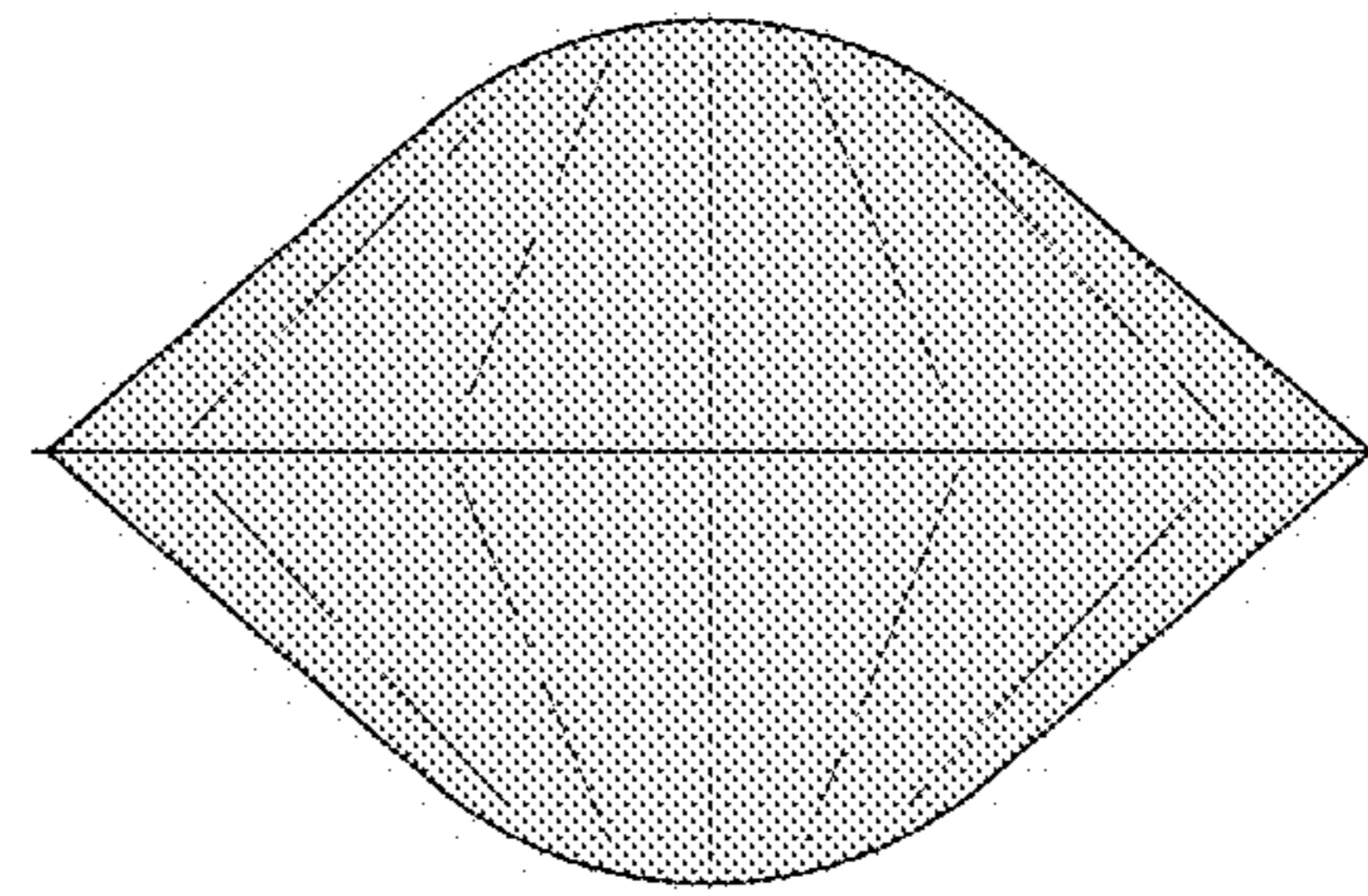


FIG. 14