



US00D941672S

(12) **United States Design Patent**
Lupberger et al.

(10) **Patent No.:** **US D941,672 S**
(45) **Date of Patent:** **** Jan. 25, 2022**

- (54) **SOAP DISPENSING SPRAY HEAD**
- (71) Applicant: **BOCKS INC.**, New York, NY (US)
- (72) Inventors: **Ryan Lupberger**, New York, NY (US);
Zachary Bedrosian, New York, NY (US);
Sina Sohrab, New York, NY (US);
Joseph Guerra, New York, NY (US)
- (73) Assignee: **Bocks Inc**, New York, NY (US)
- (**) Term: **15 Years**
- (21) Appl. No.: **29/738,736**
- (22) Filed: **Jun. 19, 2020**
- (51) **LOC (13) Cl.** **09-01**
- (52) **U.S. Cl.**
USPC **D9/448**; D9/685
- (58) **Field of Classification Search**
USPC D9/439, 440, 442-449, 682, 685, 686,
D9/435, 450, 454; D6/515; D7/507,
D7/509-511, 523, 391, 392, 392.1, 396.2,
D7/605, 608, 900
CPC B65D 83/205; B65D 83/206; B65D 83/40;
B65D 2543/00046; A47G 19/2272
See application file for complete search history.

D409,915 S 5/1999 Durliat
D409,917 S 5/1999 Wadsworth
D409,918 S 5/1999 Wadsworth
(Continued)

FOREIGN PATENT DOCUMENTS

CN 303838537 * 9/2016
CN 305649141 * 3/2020

OTHER PUBLICATIONS

Cleancult, Dec. 8, 2019, cleancult facebook post, URL: <https://www.facebook.com/cleancult/photos/a.1699850986933766/2420718274847030/?type=3&theater> (Year: 2019).*

Primary Examiner — Brett Miller
Assistant Examiner — Rani J Abdallah
(74) *Attorney, Agent, or Firm* — Ignacio Bellver

(57) **CLAIM**

The ornamental design for a soap dispensing spray head, as shown and described.

DESCRIPTION

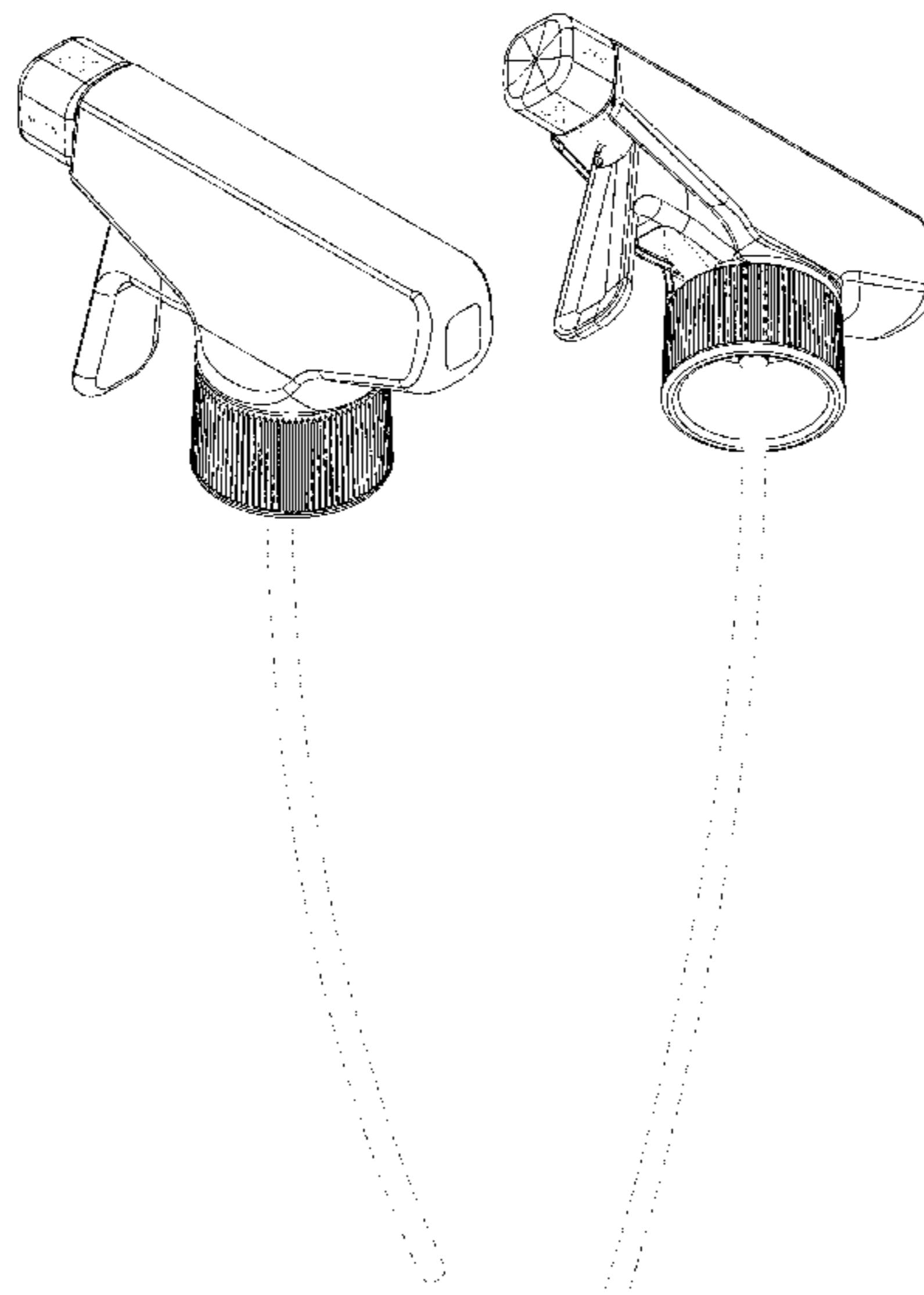
FIG. 1 is a top left perspective view of a soap dispensing spray head showing the new design; FIG. 2 is a front side plain view thereof; FIG. 3 is a left side plain view thereof; FIG. 4 is a right side plain view thereof; FIG. 5 is a rear_side_plain view thereof; FIG. 6 is a top side plain view thereof; FIG. 7 is a cross sectional view of the soap dispensing spray head, taken along lines 7-7 of FIG. 6; FIG. 8 is a top left perspective exploded view of our soap dispensing spray head design shown without a tube attachment; FIG. 9 is a bottom left perspective view thereof; and, FIG. 10 is a bottom plain view our soap dispensing spray head design.
The broken lines depict portions of the article that form no part of the claimed design.

(56) **References Cited**

U.S. PATENT DOCUMENTS

D275,078 S	8/1984	Wassergord	
4,953,791 A	9/1990	Tada	
D354,226 S *	1/1995	Foster	D9/448
5,467,900 A	11/1995	Maas	
D366,692 S *	1/1996	Wadsworth	D9/448
5,535,952 A	7/1996	Tada	
D373,312 S	9/1996	Lin	
D377,602 S *	1/1997	Wadsworth	D9/448
D386,854 S *	11/1997	Koptis	D32/45
D400,102 S	10/1998	Tada	
D409,487 S	5/1999	Wadsworth	

1 Claim, 10 Drawing Sheets



(56)

References Cited

U.S. PATENT DOCUMENTS

D419,876 S *	2/2000	Keung	D9/448	D625,187 S	10/2010	McCay	
D421,388 S	3/2000	Cummings		D625,188 S	10/2010	Rech	
D423,934 S	5/2000	Brozell		D647,805 S	11/2011	Broen	
D438,112 S	2/2001	Keung		D649,458 S *	11/2011	Neumann	D9/448
D439,164 S *	3/2001	Keung	D9/448	D649,459 S *	11/2011	Castillo Higareda	D9/448
D454,787 S	3/2002	Cummings		D650,279 S	12/2011	Arminak	
D456,262 S	4/2002	Cummings		D653,542 S	1/2012	Arminak	
D463,972 S	10/2002	Perrin		D653,946 S	1/2012	Arminak	
D486,386 S *	2/2004	Maras	D9/685	D653,947 S	1/2012	Arminak	
D494,866 S	8/2004	Guala		D653,540 S *	2/2012	Sweeton	D9/448
D508,852 S	8/2005	Arminak		D661,187 S	6/2012	Baranowski	
D520,872 S	5/2006	Pass		D661,987 S	6/2012	Broen	
D521,864 S	5/2006	Cartoni		D662,426 S	6/2012	Broen	
D525,124 S	7/2006	Sweeton		D664,431 S *	7/2012	Wang	D9/448
D525,524 S	7/2006	Sweeton		D665,260 S	8/2012	Driskell	
D525,525 S	7/2006	Sweeton		D672,240 S	10/2012	Branowski	
D530,201 S	10/2006	Sweeton		D675,103 S	1/2013	Broen	
D535,560 S	1/2007	Sweeton		D676,760 S	1/2013	Branowski	
D541,652 S *	5/2007	Arminak	D9/448	D678,065 S	3/2013	Branowski	
D548,078 S	8/2007	Foster		D685,268 S *	7/2013	Gill	D9/448
D551,973 S	10/2007	Hildebrand		D688,562 S	8/2013	Branowski	
D567,082 S	4/2008	Hildebrand		D691,488 S	10/2013	Broen	
D569,726 S	5/2008	Hildebrand		D700,051 S *	2/2014	Driskell	D9/448
D570,215 S *	6/2008	Arminak	D9/448	D713,251 S	9/2014	Driskell	
D570,216 S *	6/2008	Arminak	D9/448	D715,648 S *	10/2014	Kistler	D9/448
D578,887 S	10/2008	Sweeton		D726,026 S *	4/2015	Holbrook	D9/685
D579,330 S	10/2008	Sweeton		D730,732 S *	6/2015	Sweeton	D9/448
D580,759 S	10/2008	Sweeton		D834,944 S *	12/2018	Holbrook	D9/685
D582,768 S	10/2008	Cantoni		D837,649 S	1/2019	Alluigi	
D582,769 S	10/2008	Turchi		D856,139 S	8/2019	Sama, II	
D582,770 S	12/2008	Turchi		D862,229 S	10/2019	Alluigi	
D582,771 S	12/2008	Cantoni		D866,325 S	11/2019	Tu	
D583,233 S	12/2008	Cantoni		D866,326 S	11/2019	Tu	
D587,574 S	3/2009	Cantoni		D866,327 S	11/2019	Tu	
D588,003 S	3/2009	Sweeton		D866,328 S	11/2019	Tu	
D588,455 S	3/2009	Sweeton		D866,329 S	11/2019	Tu	
D596,938 S *	7/2009	Broadbent	D9/448	D866,330 S	11/2019	Tu	
D601,897 S *	10/2009	Contiero	D9/448	D867,135 S	11/2019	Tu	
D602,379 S *	10/2009	Traiforos	D9/685	D867,136 S	11/2019	Tu	
				D875,526 S	2/2020	Boz	

* cited by examiner

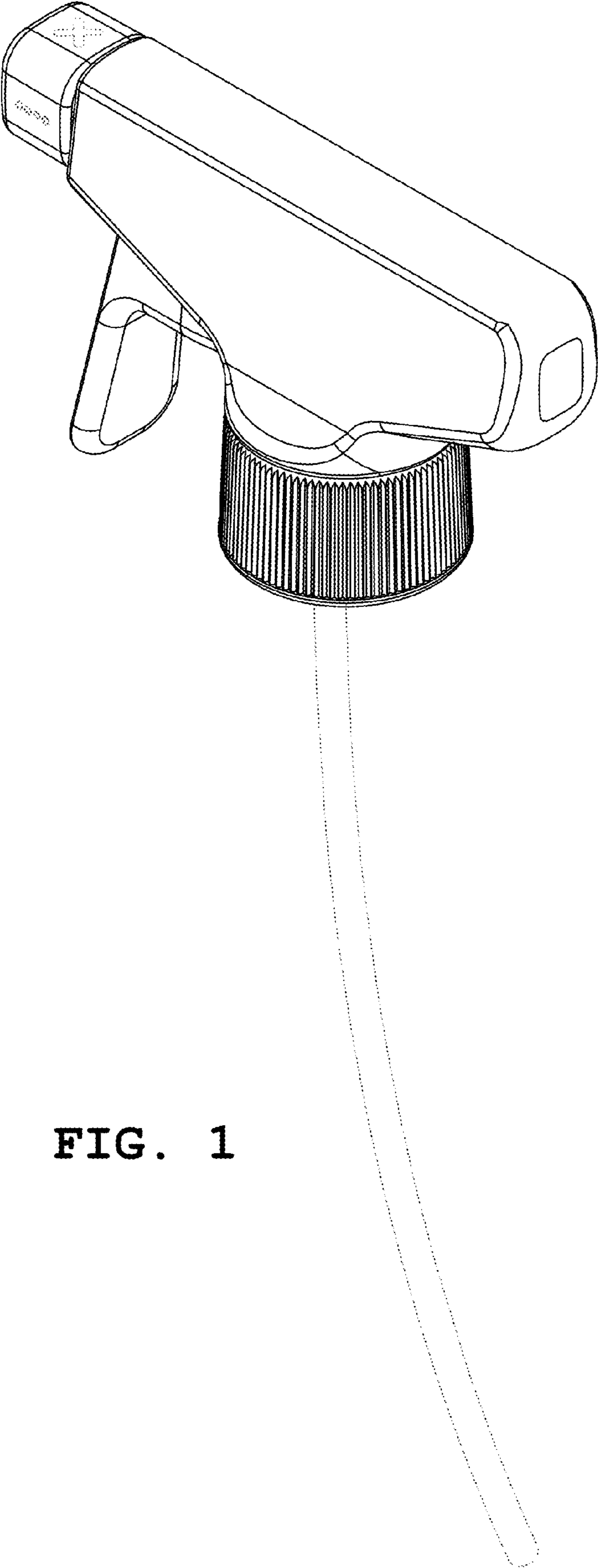


FIG. 1

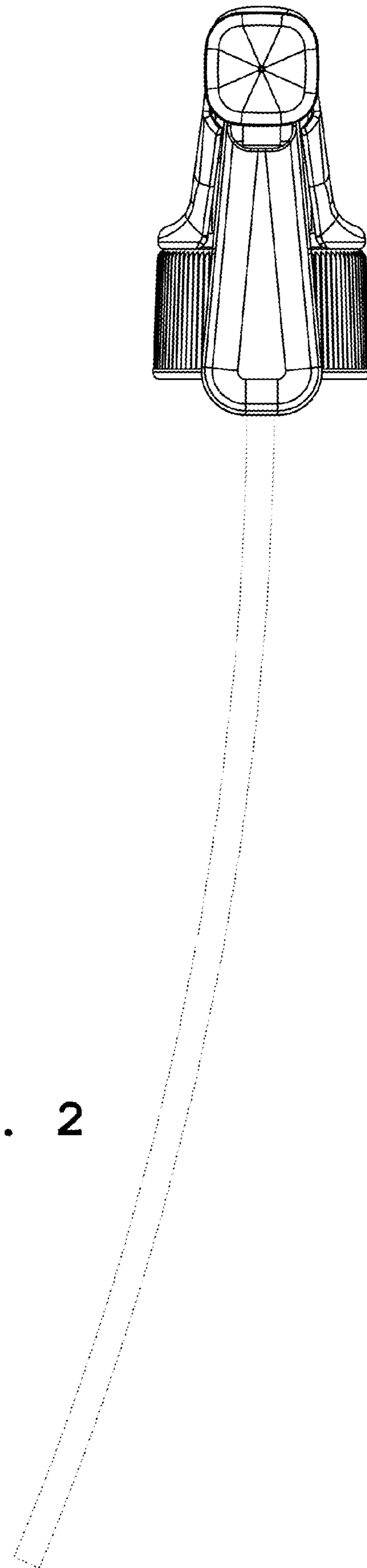


FIG. 2

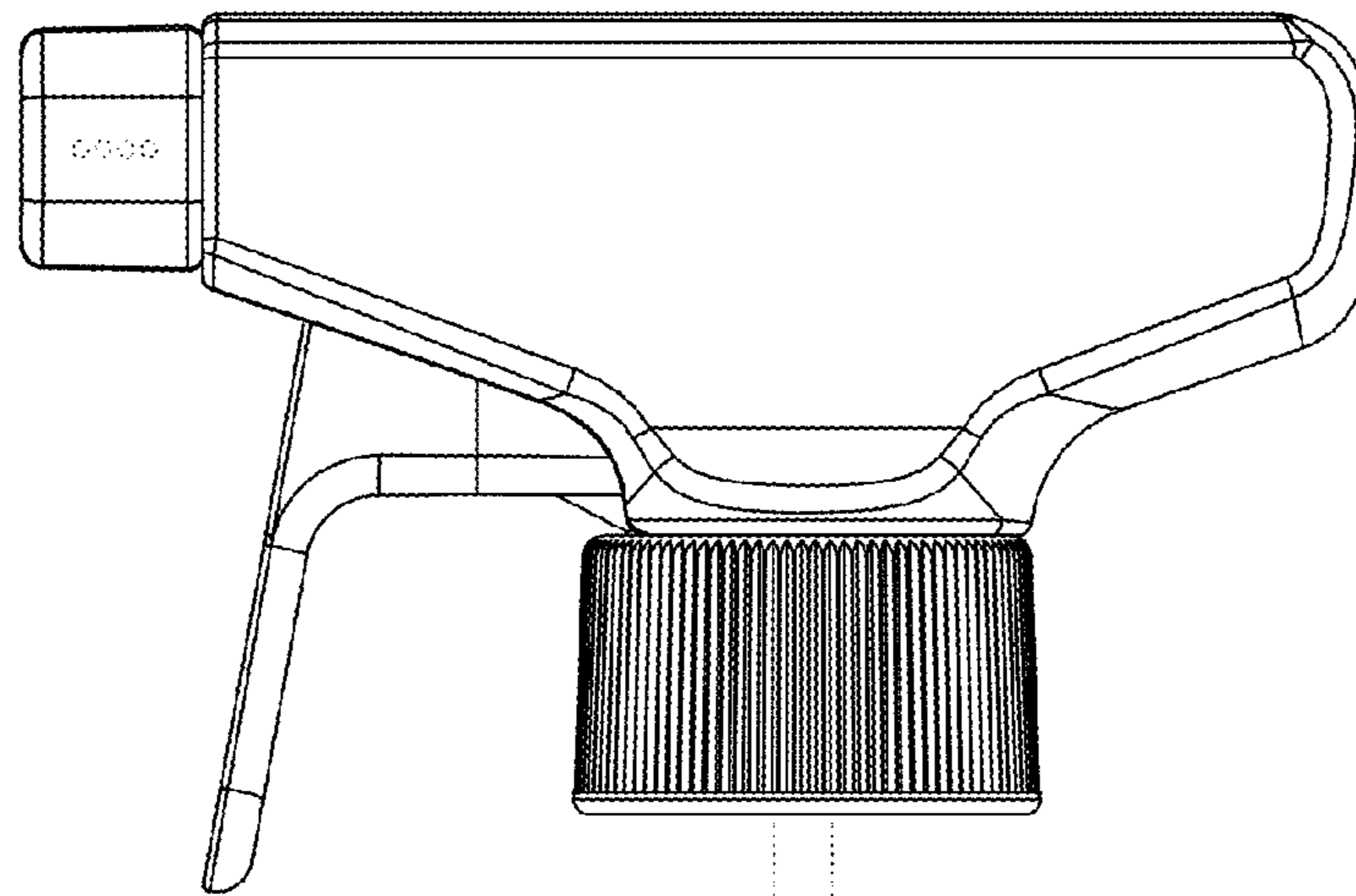


FIG. 3

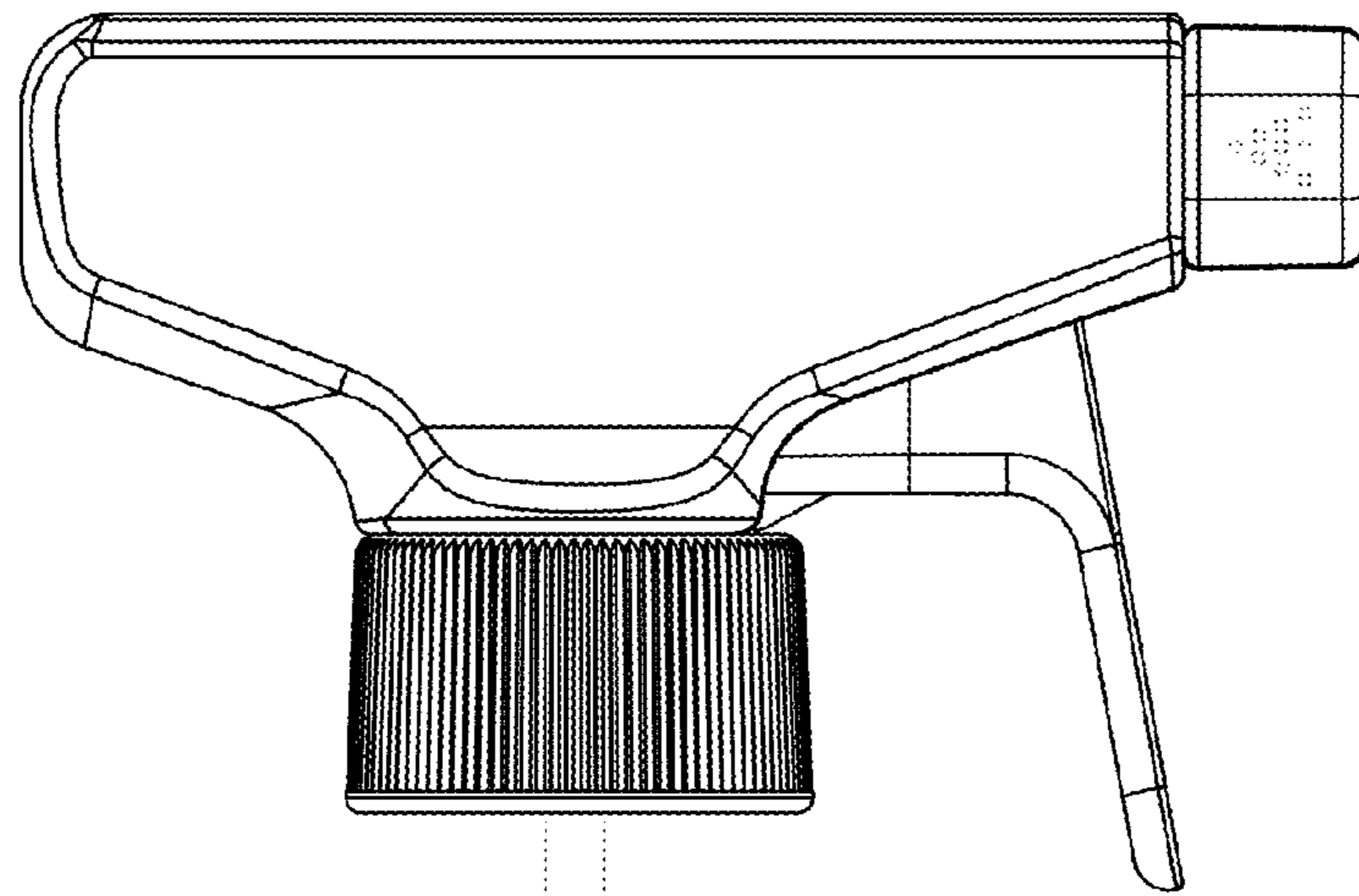


FIG. 4

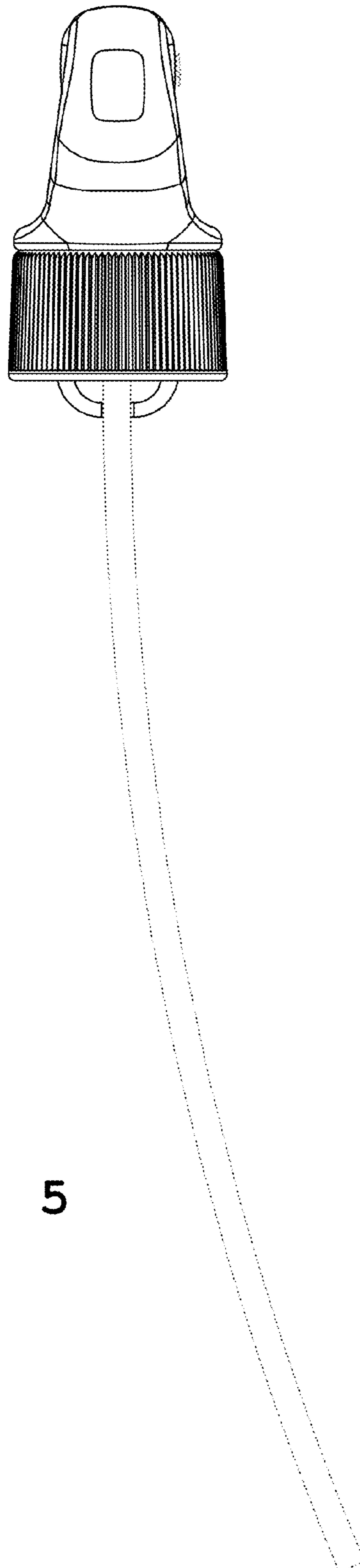


FIG. 5

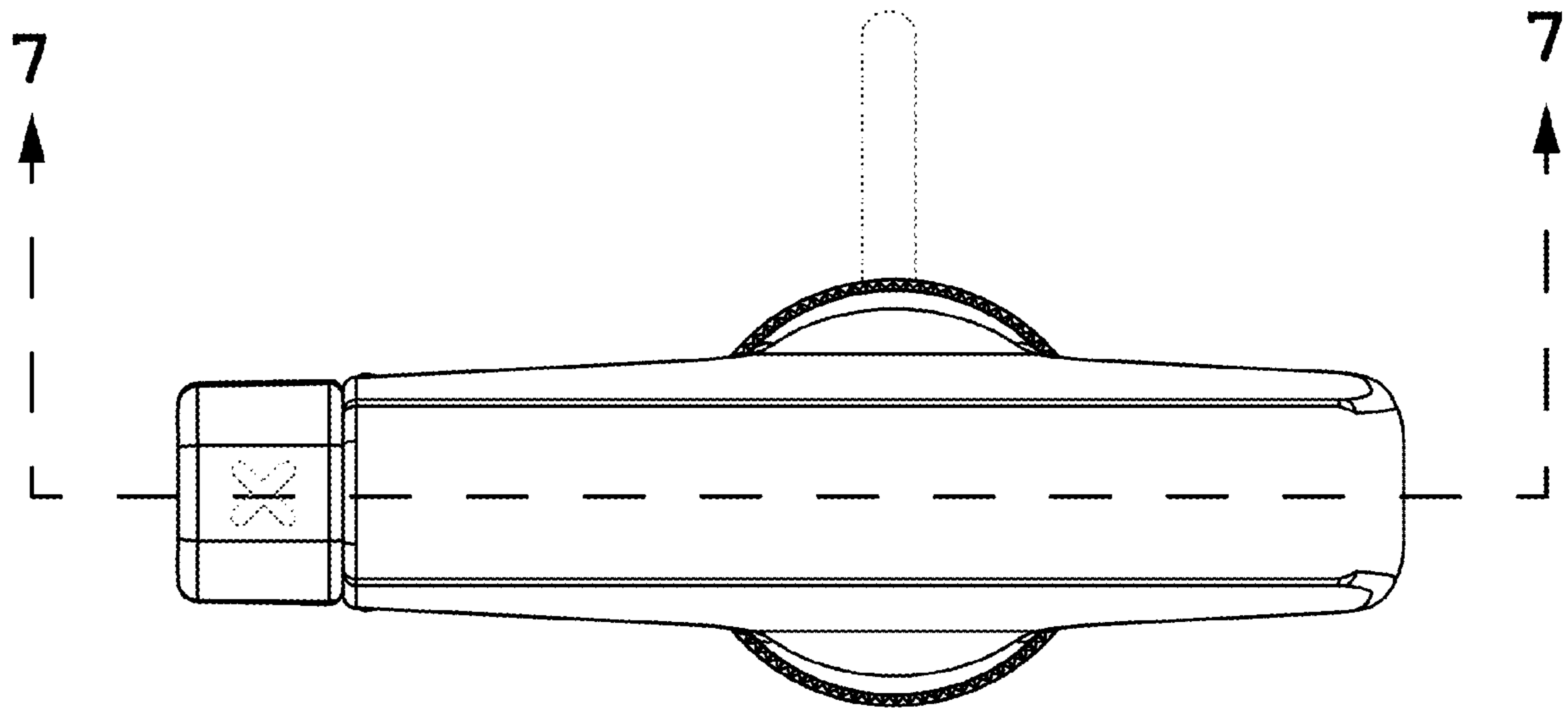


FIG. 6

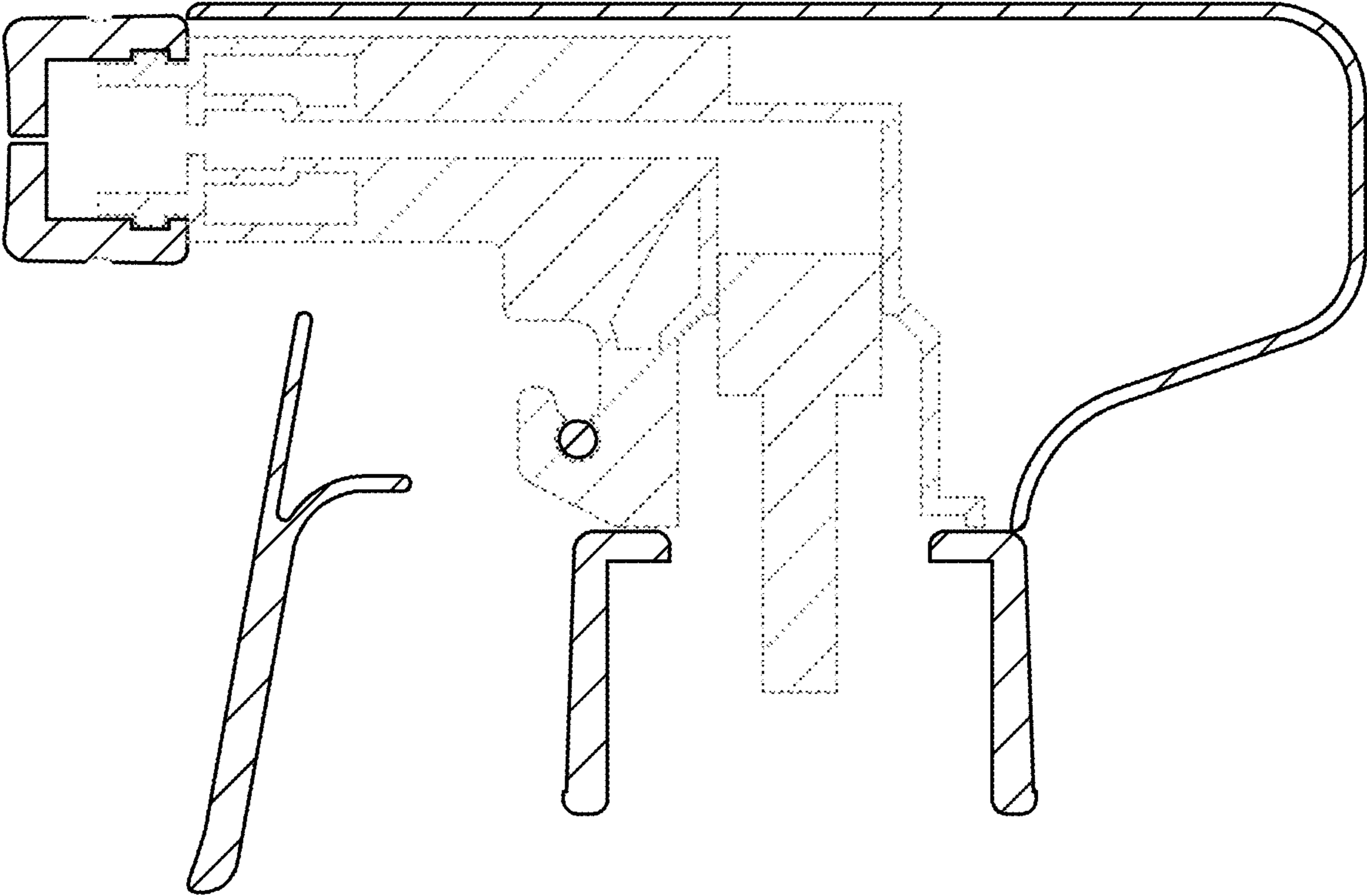


FIG. 7

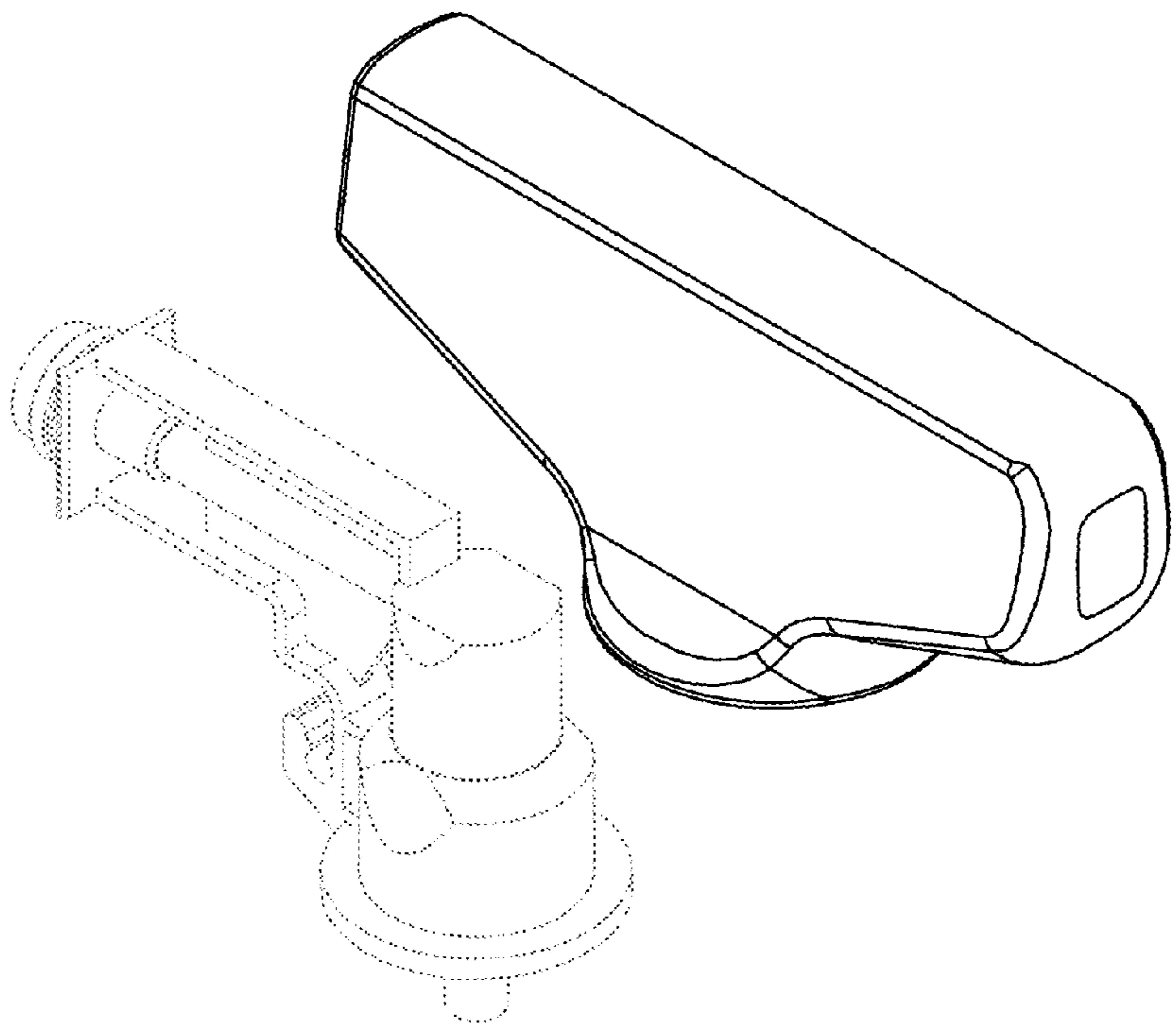
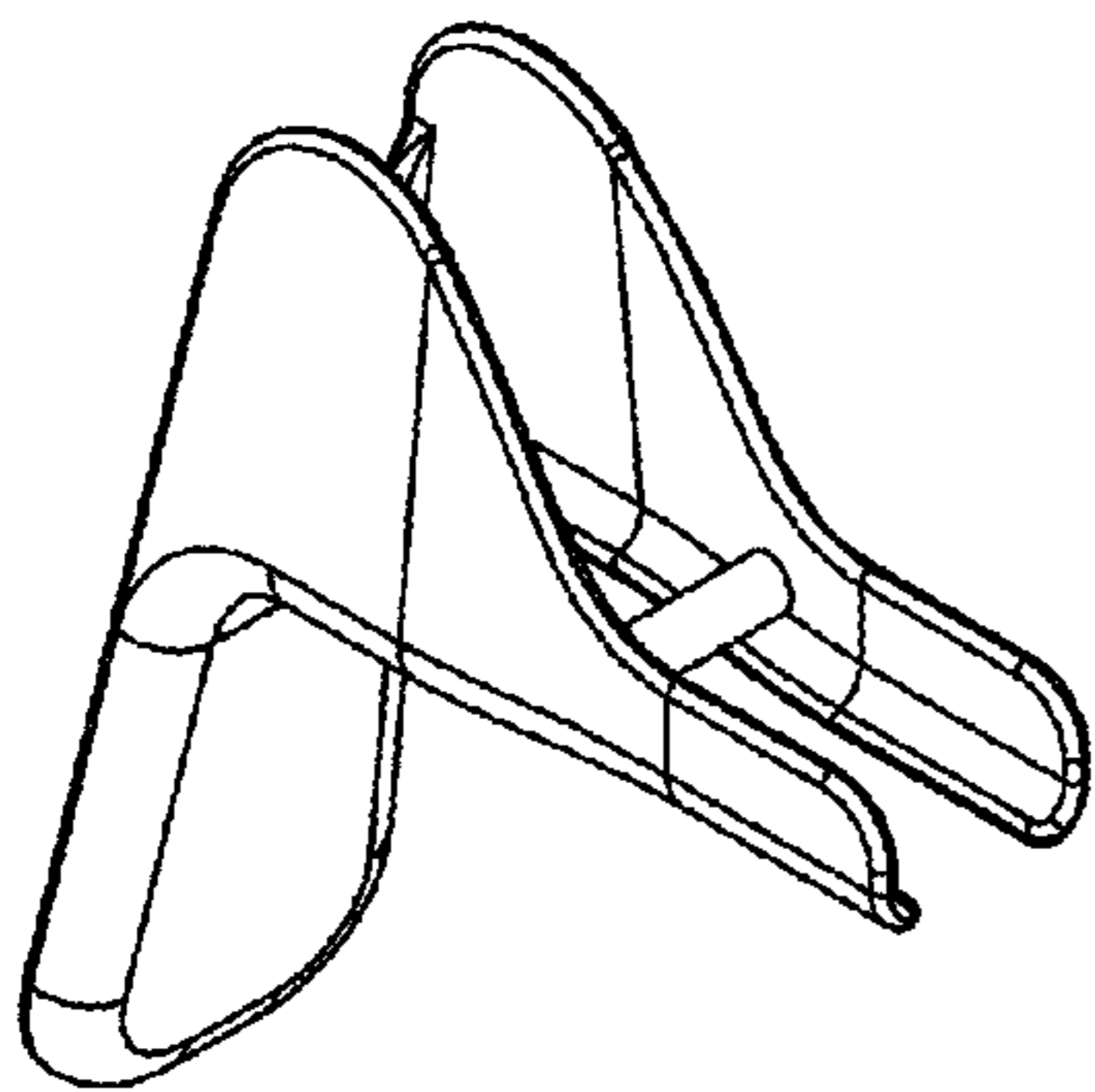
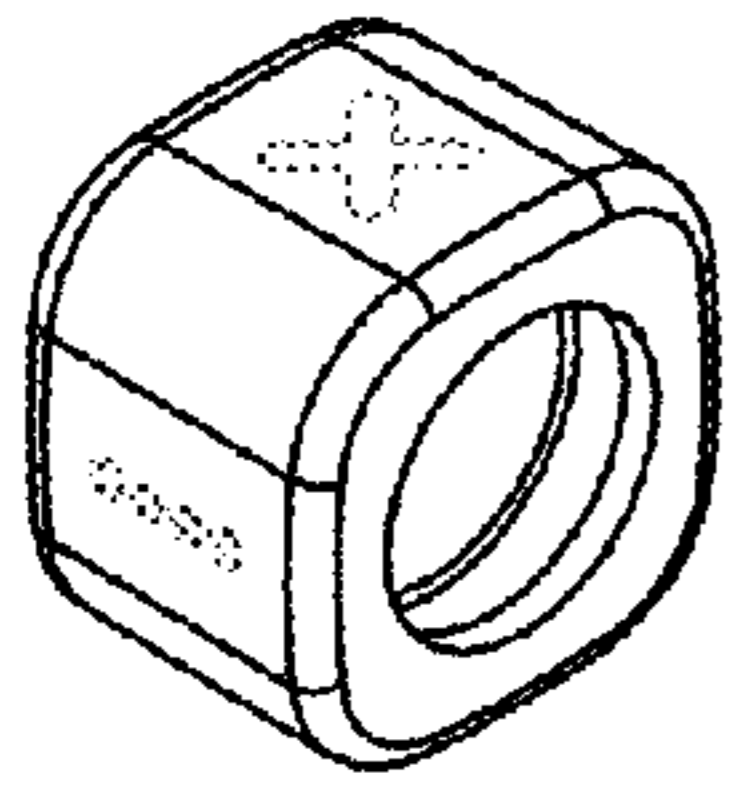
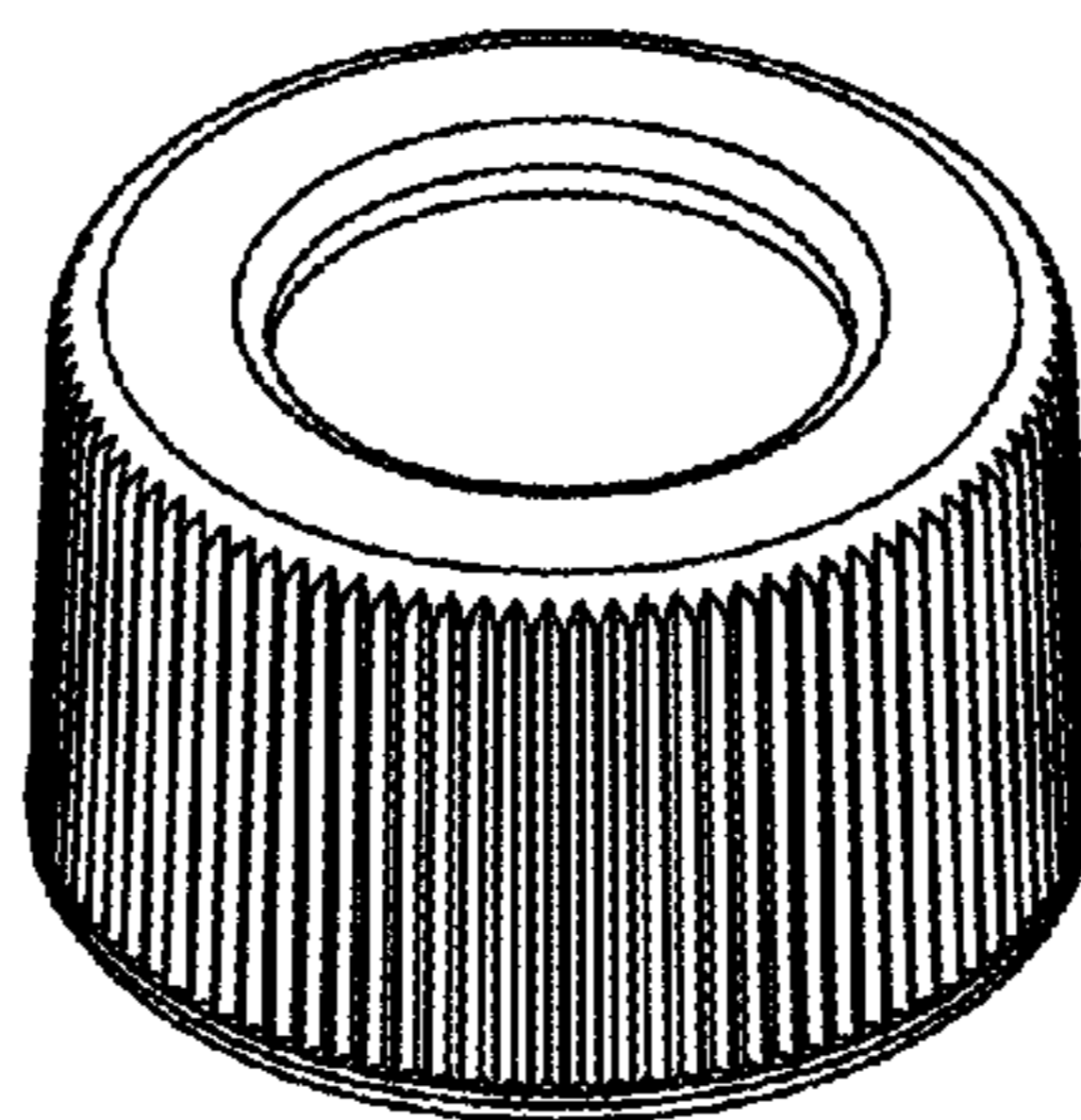


FIG. 8



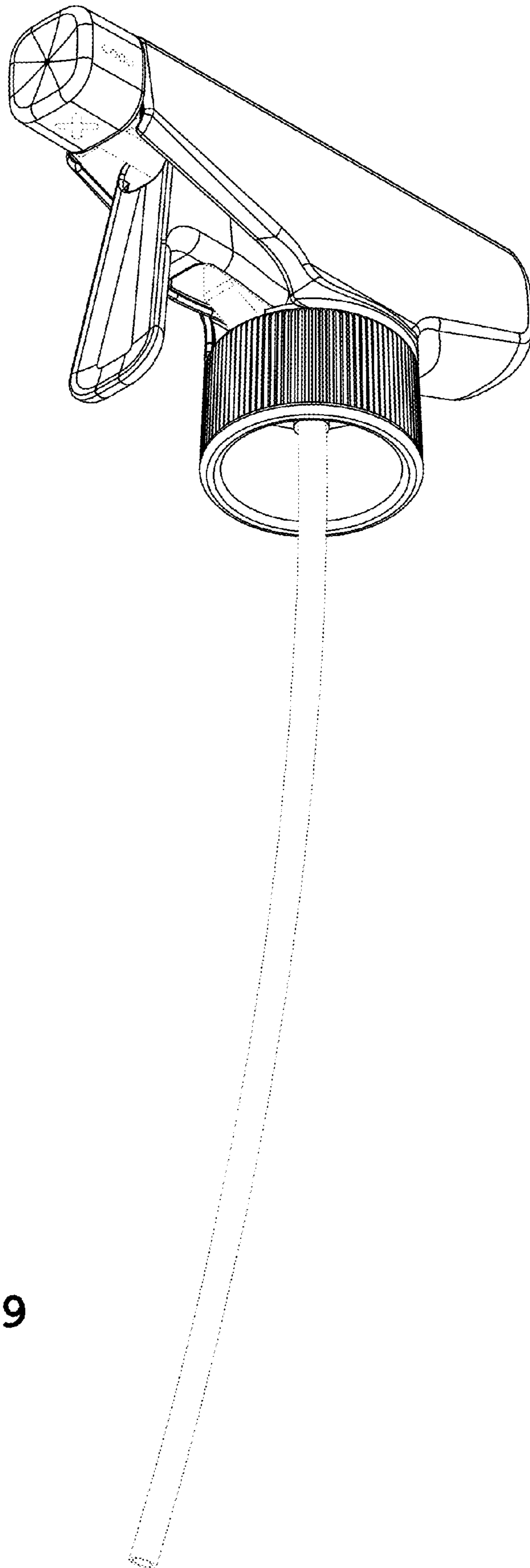


FIG. 9

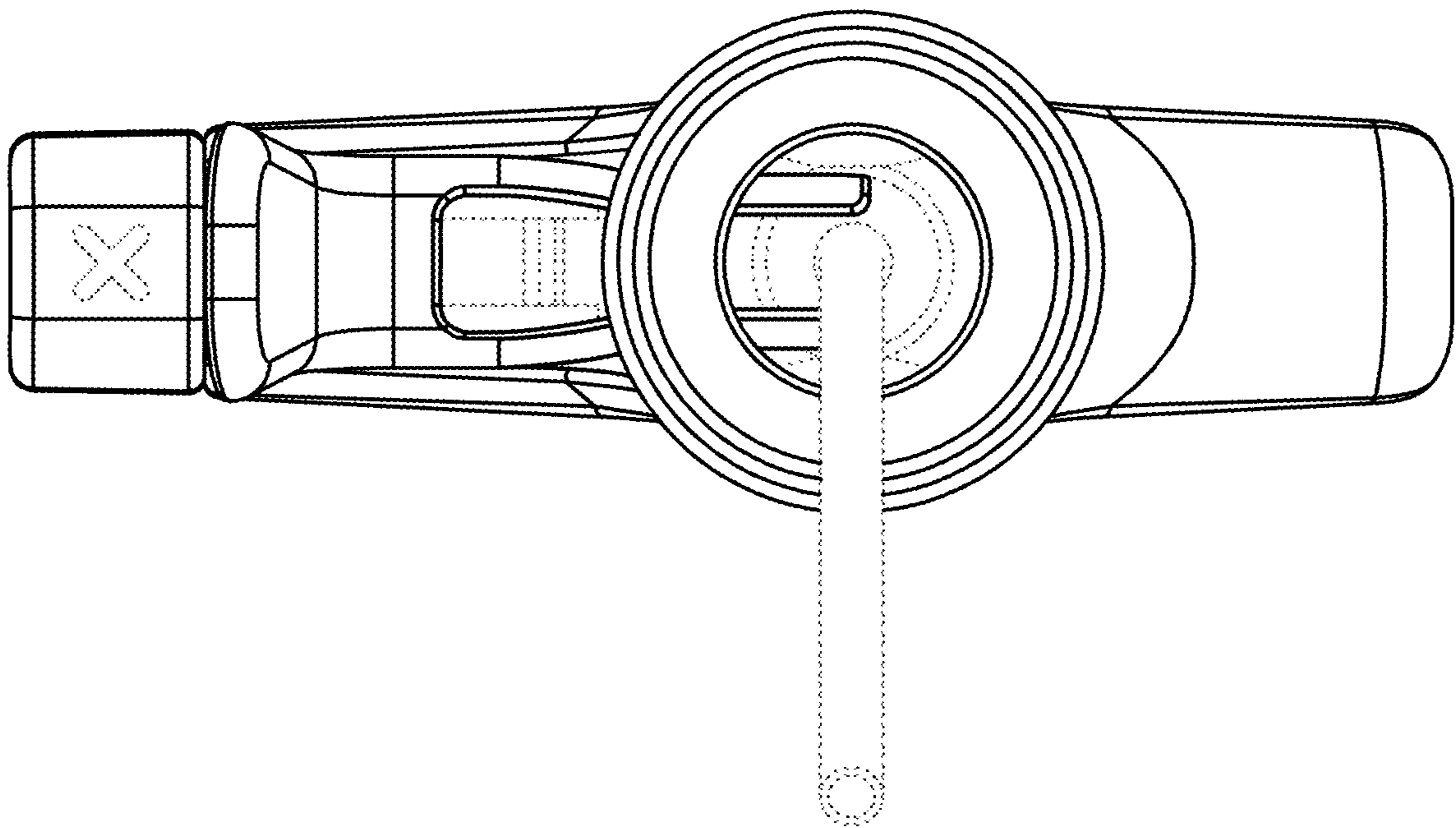


FIG. 10