



US00D941670S

(12) **United States Design Patent** (10) **Patent No.:** **US D941,670 S**
Delle Cese et al. (45) **Date of Patent:** **** Jan. 25, 2022**

(54) **PACKAGING**

CPC .. G11B 33/0427; B65D 85/04; B65D 5/5061;
B65D 27/14; H02J 7/0042
See application file for complete search history.

(71) Applicant: **Apple Inc.**, Cupertino, CA (US)

(72) Inventors: **Francesca Amor Delle Cese**, San Francisco, CA (US); **Lorraine Y. Tang**, San Francisco, CA (US); **Bhautik H. Mehta**, Mountain View, CA (US); **Mark T. Uyeda**, Campbell, CA (US); **Alissa Anderson**, San Francisco, CA (US); **Jonathan Berk**, Mountain View, CA (US); **Margaret Madigan Burke**, Sunnyvale, CA (US); **Jack Wanderman**, San Francisco, CA (US); **Kevin Scott Fetterman**, Los Altos, CA (US)

(56) **References Cited**

U.S. PATENT DOCUMENTS

1,514,379 A 11/1924 Fleischer
3,381,876 A 5/1968 Biggins
3,679,093 A 7/1972 Chang
(Continued)

Primary Examiner — Rhea Shields
(74) *Attorney, Agent, or Firm* — Sterne, Kessler, Goldstein & Fox P.L.L.C.

(73) Assignee: **Apple Inc.**, Cupertino, CA (US)

(57) **CLAIM**

The ornamental design for packaging, as shown and described.

(**) Term: **15 Years**

DESCRIPTION

(21) Appl. No.: **29/738,993**

FIG. 1 is a top front exploded perspective view of packaging showing the claimed design;
FIG. 2 is a top front perspective view of the sleeve of FIG. 1;
FIG. 3 is a front view thereof;
FIG. 4 is a rear view thereof;
FIG. 5 is a left side view thereof;
FIG. 6 is a right side view thereof;
FIG. 7 is a top view thereof;
FIG. 8 is a bottom view thereof;
FIG. 9 is a top front perspective view of the accessory holder insert of FIG. 1;
FIG. 10 is a front view thereof;
FIG. 11 is a rear view thereof;
FIG. 12 is a right side view thereof;
FIG. 13 is a side view thereof;
FIG. 14 is a top view thereof; and,
FIG. 15 is a bottom view thereof.
The broken lines in the figures show portions of the packaging that form no part of the claimed design.

(22) Filed: **Jun. 22, 2020**

Related U.S. Application Data

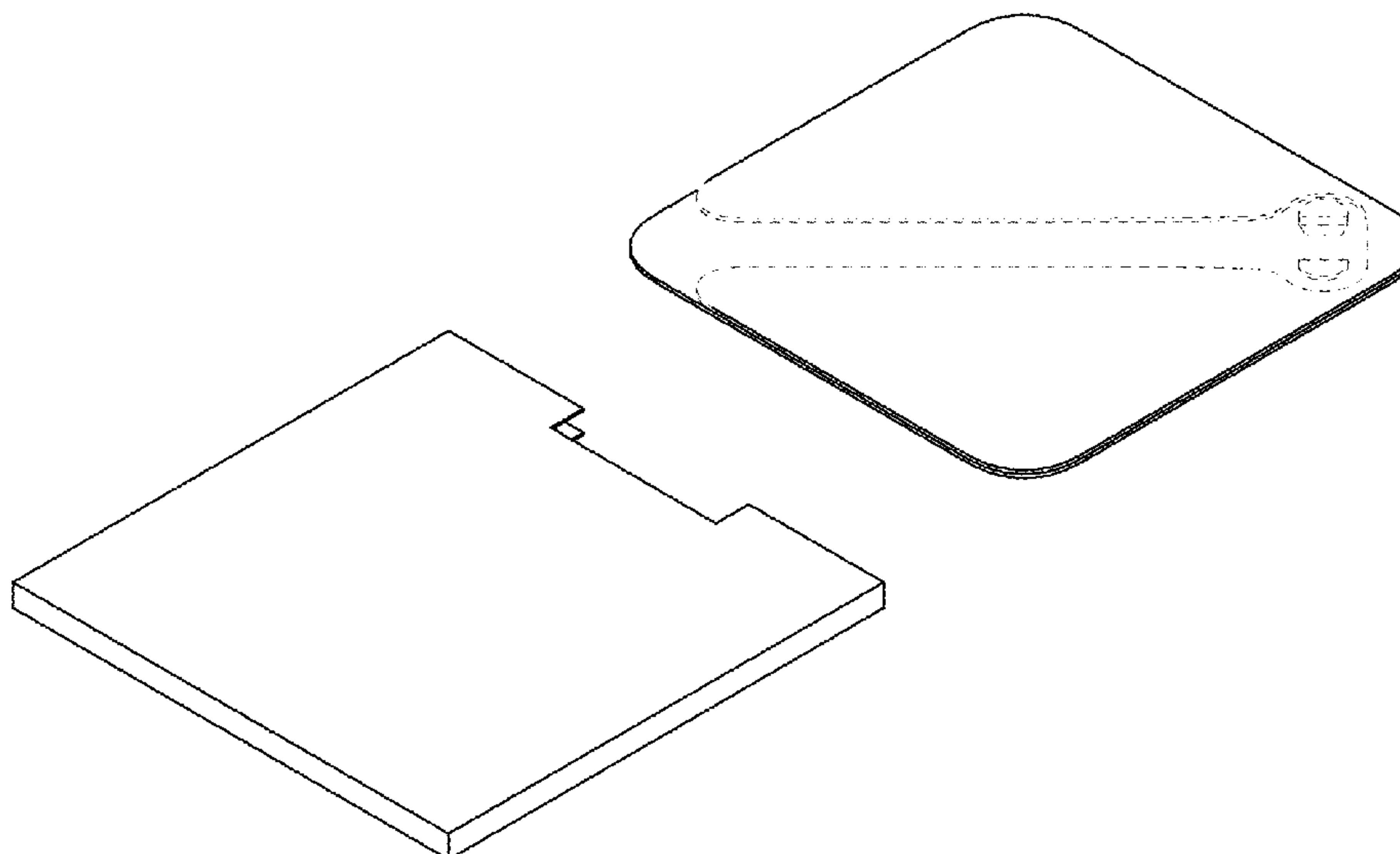
(63) Continuation of application No. 29/681,908, filed on Feb. 28, 2019, now Pat. No. Des. 887,828, which is a continuation of application No. 29/643,333, filed on Apr. 6, 2018, now Pat. No. Des. 842,091, which is a continuation of application No. 29/588,231, filed on Dec. 19, 2016, now Pat. No. Des. 814,919, which is a continuation of application No. 29/519,936, filed on Mar. 9, 2015, now Pat. No. Des. 774,899, which is a continuation-in-part of application No. 29/519,821, filed on Mar. 9, 2015, now Pat. No. Des. 779,932.

(51) **LOC (13) Cl.** **09-03**

(52) **U.S. Cl.**
USPC **D9/414**

(58) **Field of Classification Search**
USPC D9/414-418, 419, 431-433, 737, 721

1 Claim, 7 Drawing Sheets



(56)

References Cited

U.S. PATENT DOCUMENTS

D308,941 S 7/1990 Kong
 D356,499 S 3/1995 Cautereels et al.
 5,441,152 A 8/1995 Estes
 D368,221 S 3/1996 Montague
 D372,582 S 8/1996 Beaty et al.
 D398,524 S 9/1998 Waterhouse
 6,305,539 B1 10/2001 Sanders, Jr.
 D455,958 S * 4/2002 Burrus D9/433
 6,715,607 B2 * 4/2004 Wetsch G11B 33/0427
 206/308.1
 D527,674 S 9/2006 Biglarians
 D564,830 S 3/2008 Holmes
 D605,469 S 12/2009 Wingfield et al.
 D625,185 S 10/2010 Clark
 D647,532 S 10/2011 Busch
 D661,186 S 6/2012 Snyder
 D679,181 S 4/2013 Vogel et al.
 D688,027 S 8/2013 Smith et al.
 D698,199 S 1/2014 Yessin et al.
 D704,987 S 5/2014 Stamper et al.
 D714,143 S 9/2014 Hodge
 D734,898 S 7/2015 Lutz et al.
 D735,577 S 8/2015 Lee
 D736,618 S * 8/2015 Andre D9/432
 D738,027 S 9/2015 Wang et al.
 D740,117 S 10/2015 Nichols et al.
 D741,069 S 10/2015 Vanderheyden et al.

D744,855 S 12/2015 Akana et al.
 D746,599 S 1/2016 Olson et al.
 D764,285 S 8/2016 Akana et al.
 D773,927 S 12/2016 Cernokus et al.
 D774,899 S * 12/2016 Tang D9/419
 D779,932 S * 2/2017 Delle Cese D9/419
 D789,800 S 6/2017 Cernokus et al.
 D800,549 S * 10/2017 Delle Cese D9/419
 D802,414 S * 11/2017 Delle Cese D9/419
 D806,537 S * 1/2018 Cernokus D9/432
 D814,919 S * 4/2018 Delle Cese D9/419
 D819,438 S * 6/2018 Lackus D9/418
 10,081,485 B2 9/2018 Cernokus et al.
 D830,169 S 10/2018 Akana et al.
 D832,103 S 10/2018 Anderson et al.
 D842,091 S * 3/2019 Delle Cese D9/419
 D876,242 S * 2/2020 Akana D9/737
 D887,828 S * 6/2020 Delle Cese D9/419
 D893,314 S * 8/2020 Anderson D9/721
 D902,032 S * 11/2020 Cernokus D9/433
 D914,517 S * 3/2021 David D9/737
 D917,303 S * 4/2021 Akana D9/721
 D918,036 S * 5/2021 David D9/432
 2016/0064993 A1 * 3/2016 Fetterman H02J 7/0042
 320/137
 2016/0264297 A1 * 9/2016 Cernokus B65D 5/5061
 2018/0044102 A1 2/2018 Pincus et al.
 2018/0273262 A1 * 9/2018 McCarren B65D 85/04
 2020/0290769 A1 * 9/2020 Uyeda B65D 27/14

* cited by examiner

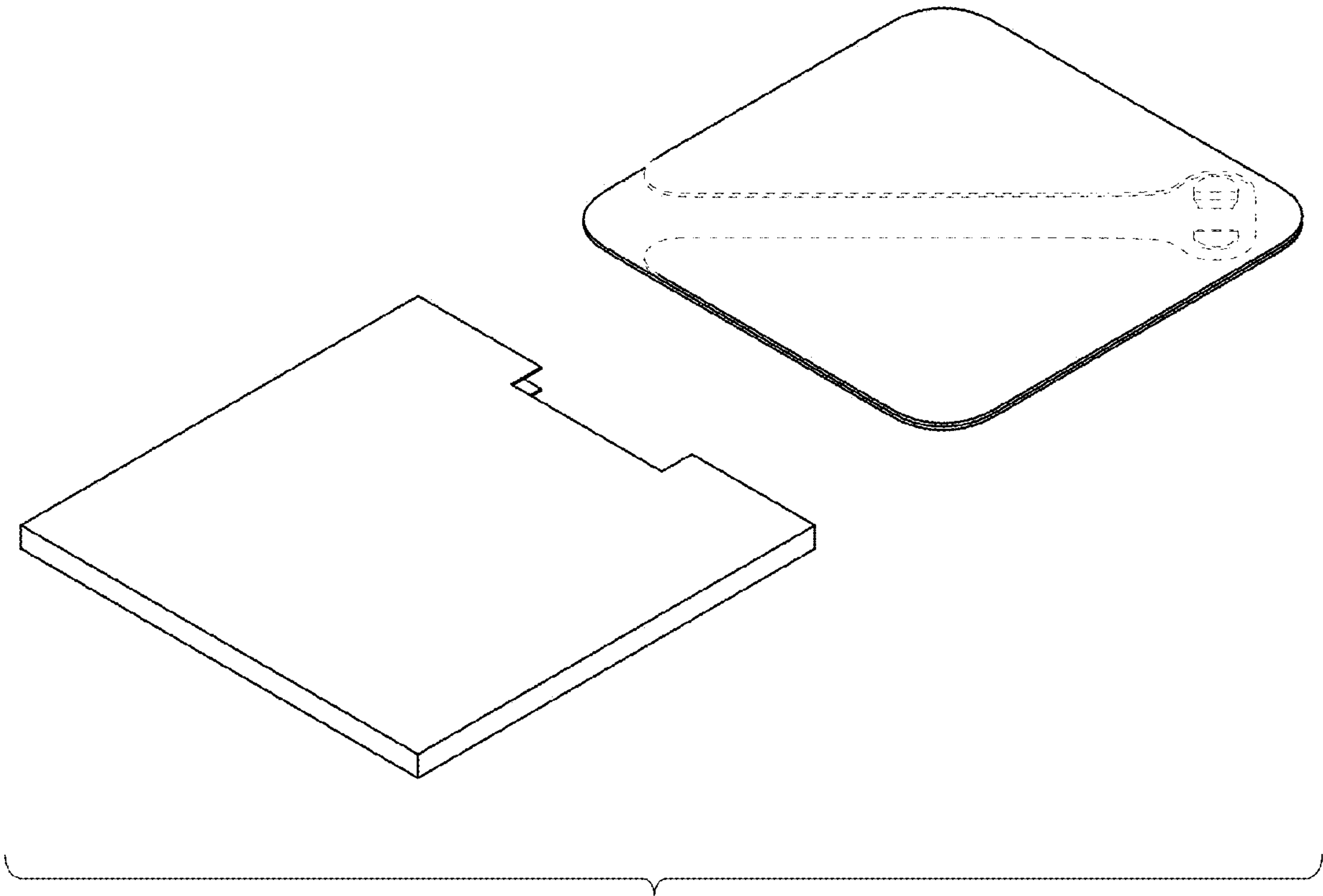


FIG. 1

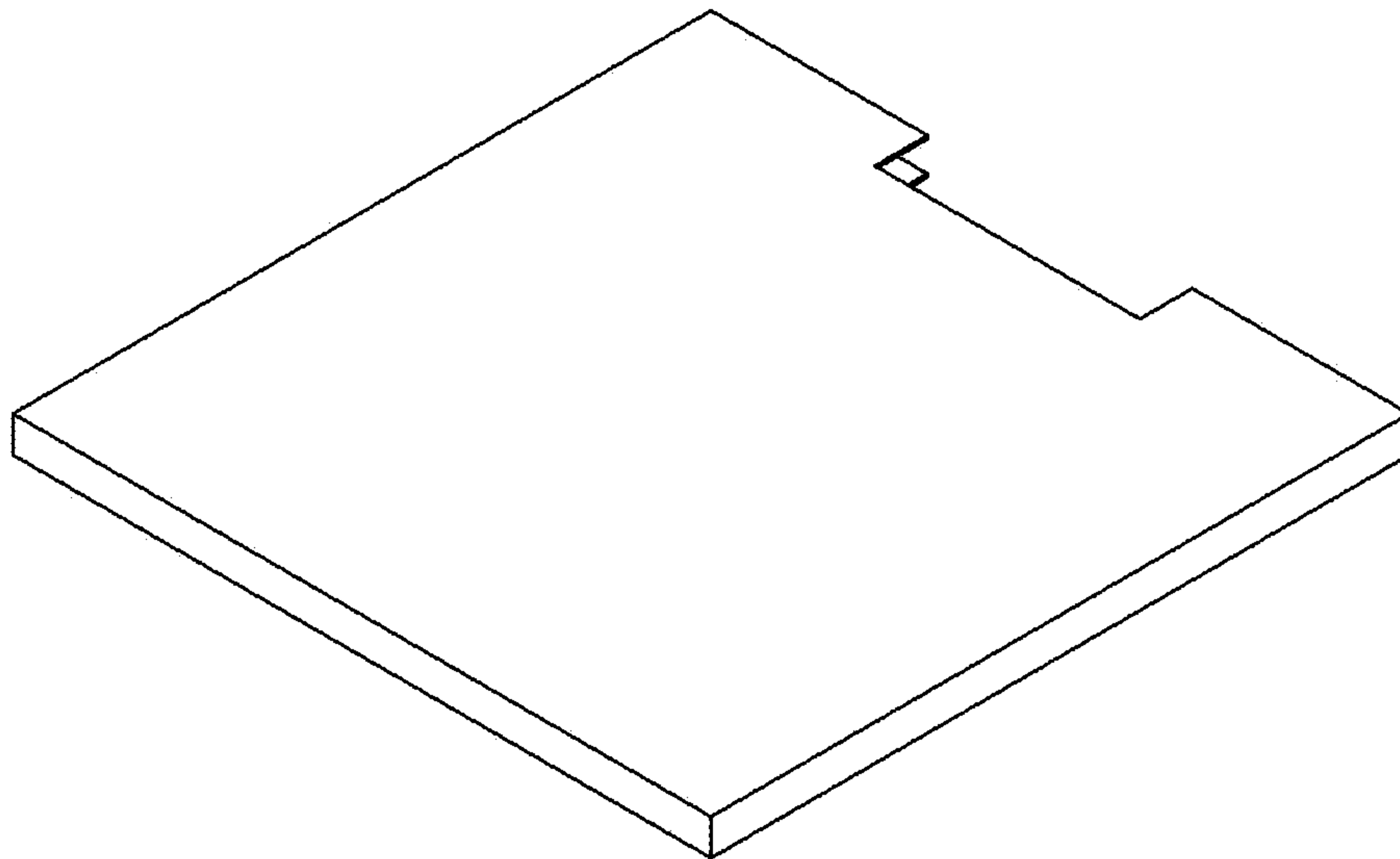


FIG. 2



FIG. 3



FIG. 4



FIG. 5



FIG. 6

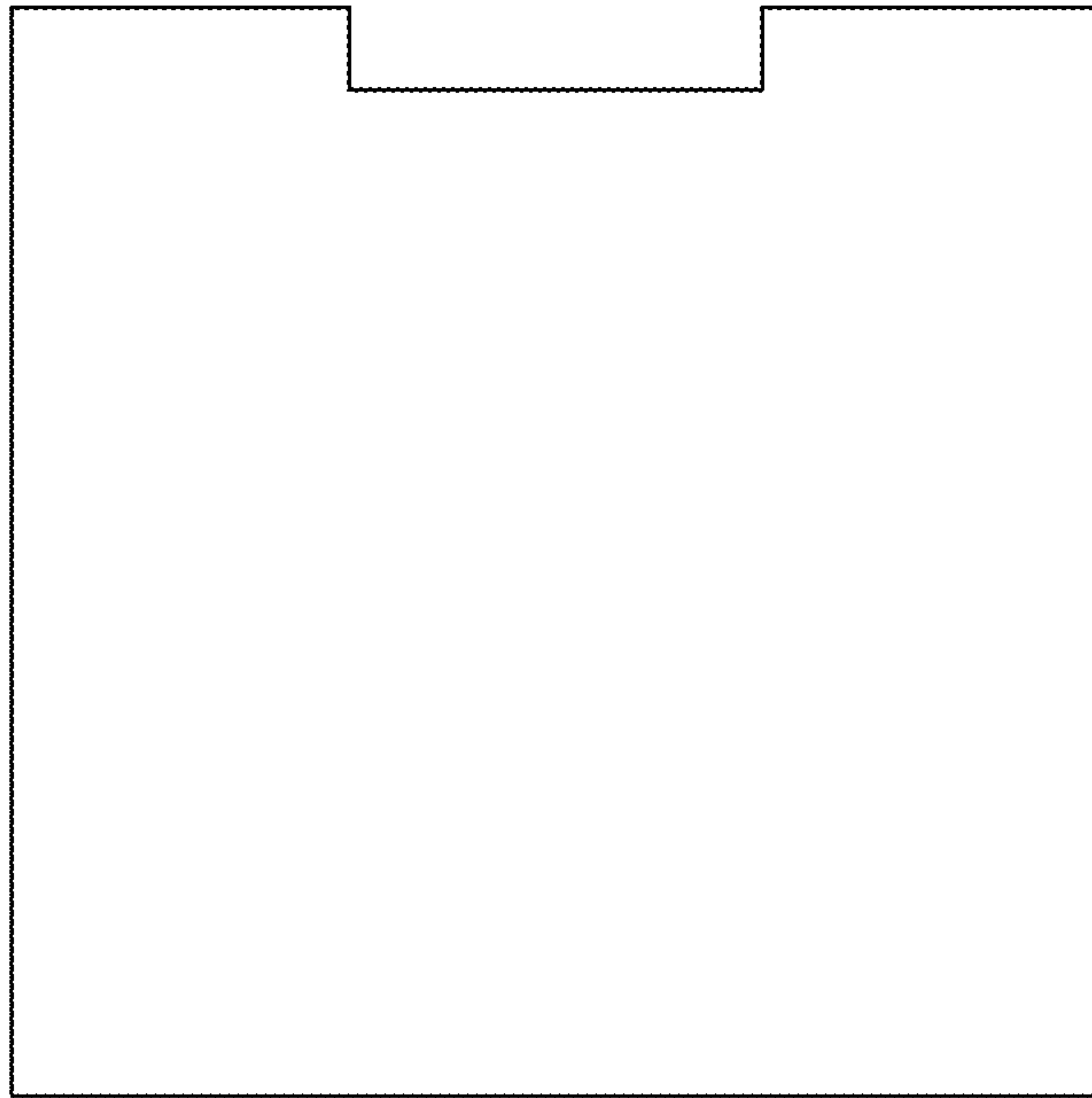


FIG. 7

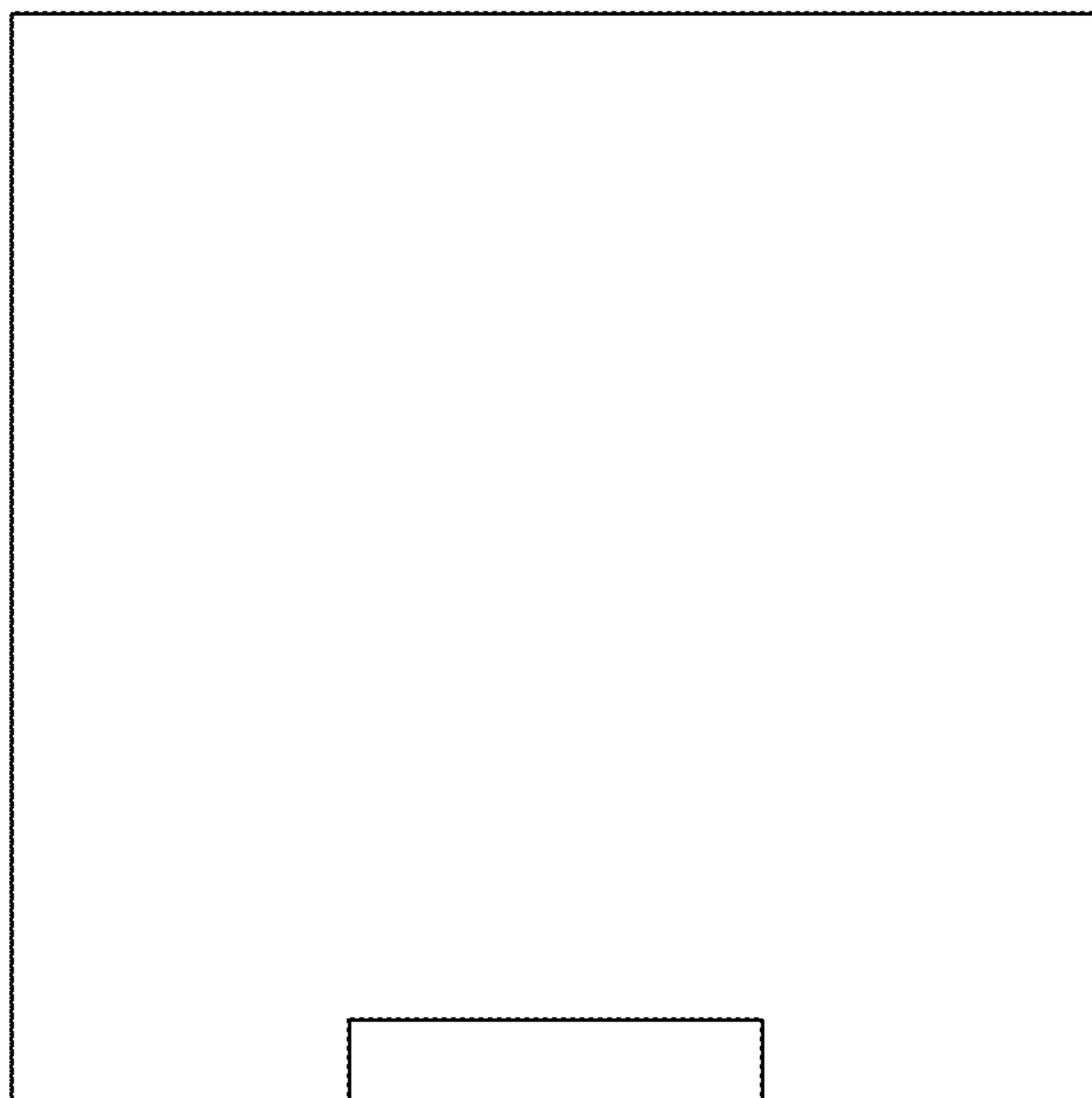


FIG. 8

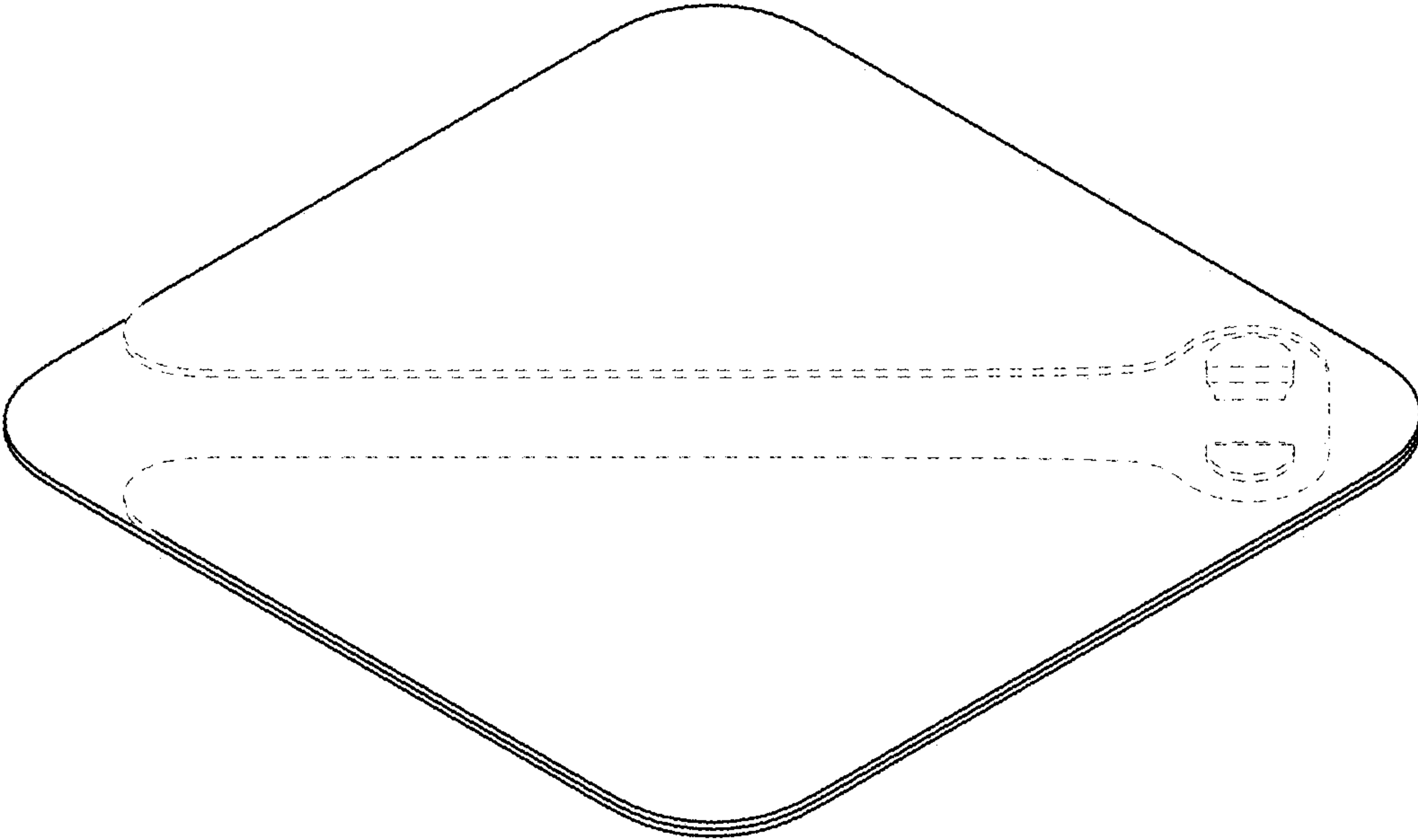


FIG. 9

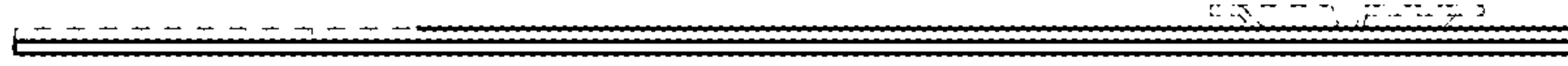


FIG. 10

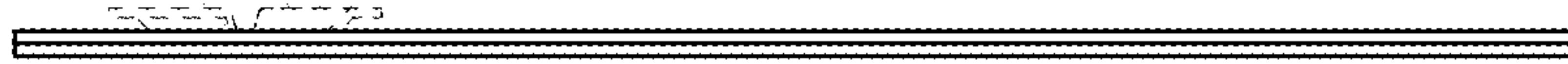


FIG. 11

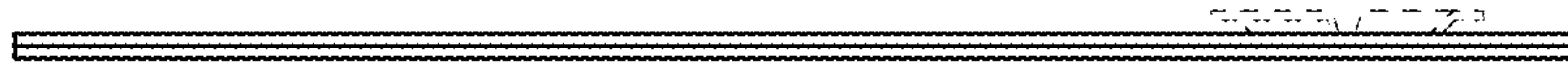


FIG. 12

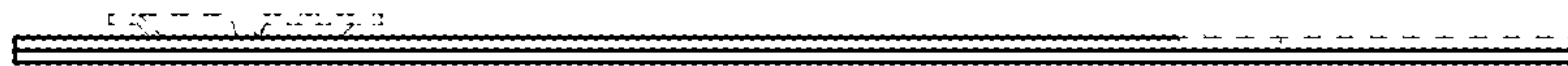


FIG. 13

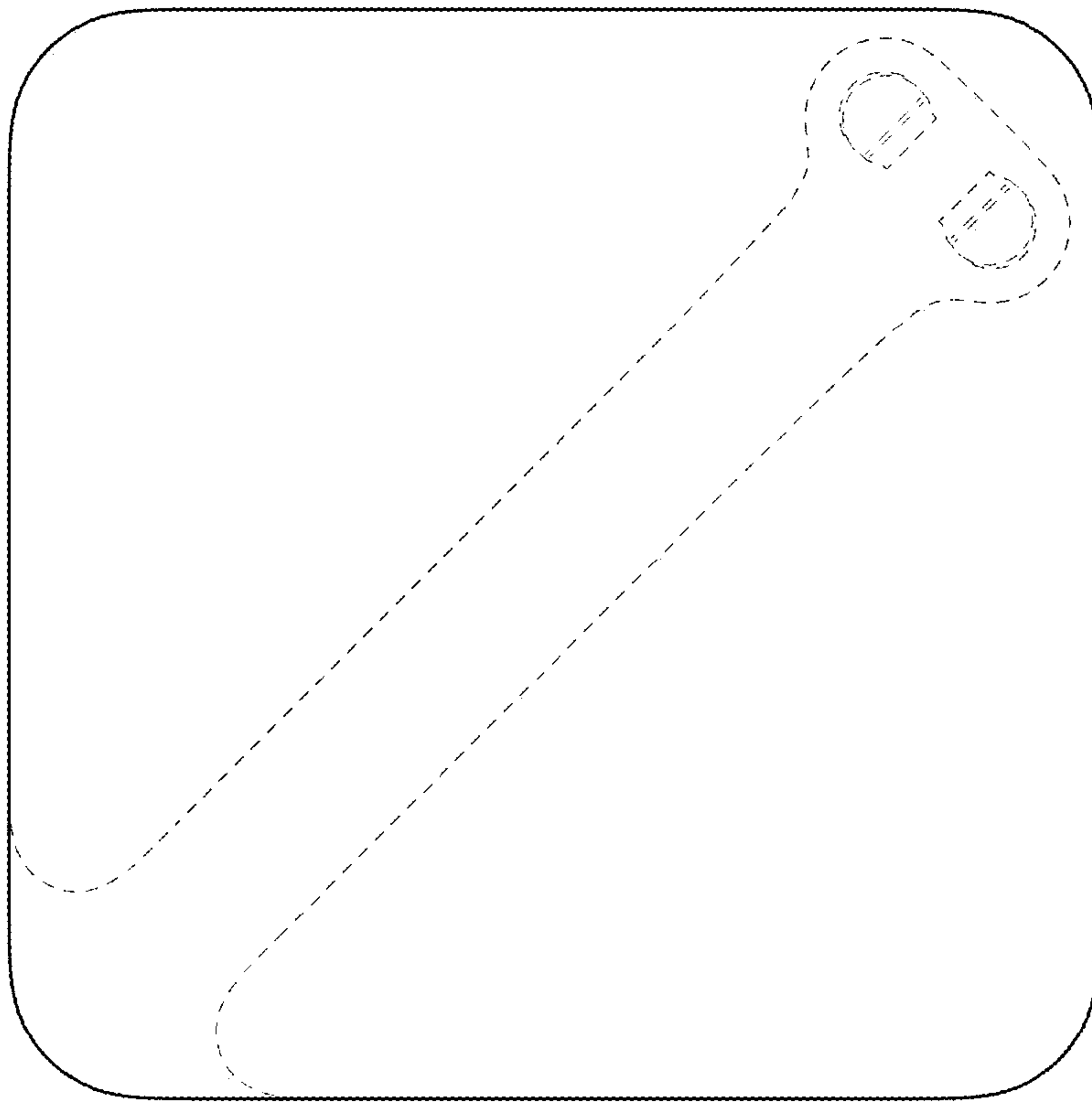


FIG. 14

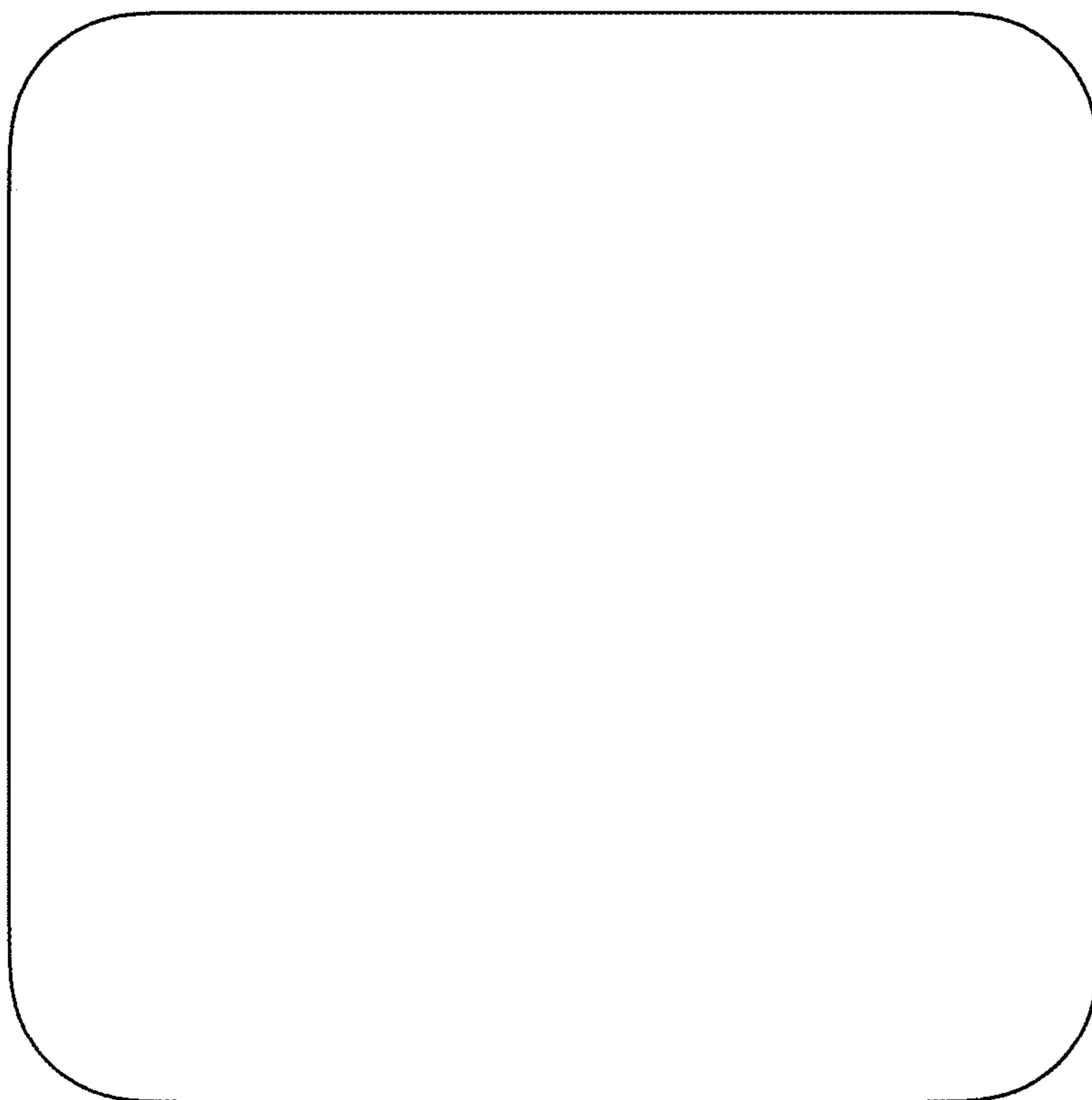


FIG. 15

UNITED STATES PATENT AND TRADEMARK OFFICE
CERTIFICATE OF CORRECTION

PATENT NO. : D941,670 S
APPLICATION NO. : 29/738993
DATED : January 25, 2022
INVENTOR(S) : Delle Cese et al.

Page 1 of 1

It is certified that error appears in the above-identified patent and that said Letters Patent is hereby corrected as shown below:

On the Title Page

Column 2, in the DESCRIPTION section replace:

“FIG. 13 is a side view thereof;”

With:

-- FIG. 13 is a left side view thereof; --

Signed and Sealed this
Twenty-ninth Day of March, 2022



Drew Hirshfeld
*Performing the Functions and Duties of the
Under Secretary of Commerce for Intellectual Property and
Director of the United States Patent and Trademark Office*