



US00D941668S

(12) **United States Design Patent** (10) **Patent No.:** **US D941,668 S**  
**Kubica et al.** (45) **Date of Patent:** **\*\* Jan. 25, 2022**

(54) **DIVIDER WALL COUPLING ASSEMBLY** 5,860,759 A \* 1/1999 Leicht ..... F16B 12/56  
 403/334  
 (71) Applicant: **BIG TIME PRODUCTS, LLC**, Rome, GA (US) 5,988,476 A 11/1999 Olerio  
 D549,564 S \* 8/2007 Lucht ..... D8/381  
 D631,425 S 1/2011 Belmessieri  
 8,511,648 B2 \* 8/2013 McCarthy ..... E04H 17/16  
 256/67  
 (72) Inventors: **Ryan Lee-Nowland Kubica**, Marietta, GA (US); **Mark Lee Butts**, Atlanta, GA (US); **Jing Li**, Shanghai (CN);  
**Christopher Matthew Weed**, Marietta, GA (US); **James Blake Fievet**, Decatur, GA (US); **Jarrold Thomas Streng**, Atlanta, GA (US)  
 9,637,294 B2 5/2017 Kinsky  
 D846,971 S \* 4/2019 Wilson ..... D8/377  
 D920,769 S \* 6/2021 Kovacs ..... D8/377  
 D927,292 S \* 8/2021 Zussman ..... D8/381  
 D929,210 S \* 8/2021 Pan ..... D8/354  
 (Continued)

(73) Assignee: **BIG TIME PRODUCTS, LLC**, Rome, GA (US)  
 (74) *Attorney, Agent, or Firm* — Thompson Hine LLP

(\*\*) Term: **15 Years**

(57) **CLAIM**

The ornamental design for divider wall coupling assembly, as shown and described.

(21) Appl. No.: **29/708,256**

**DESCRIPTION**

(22) Filed: **Oct. 4, 2019**

(51) **LOC (13) Cl.** ..... **08-05**

(52) **U.S. Cl.**  
 USPC ..... **D8/377**

(58) **Field of Classification Search**  
 USPC ..... D8/377, 376, 373, 354, 349, 667, 381;  
 D12/162; 190/110  
 CPC ..... A45C 13/02; B65D 30/22  
 See application file for complete search history.

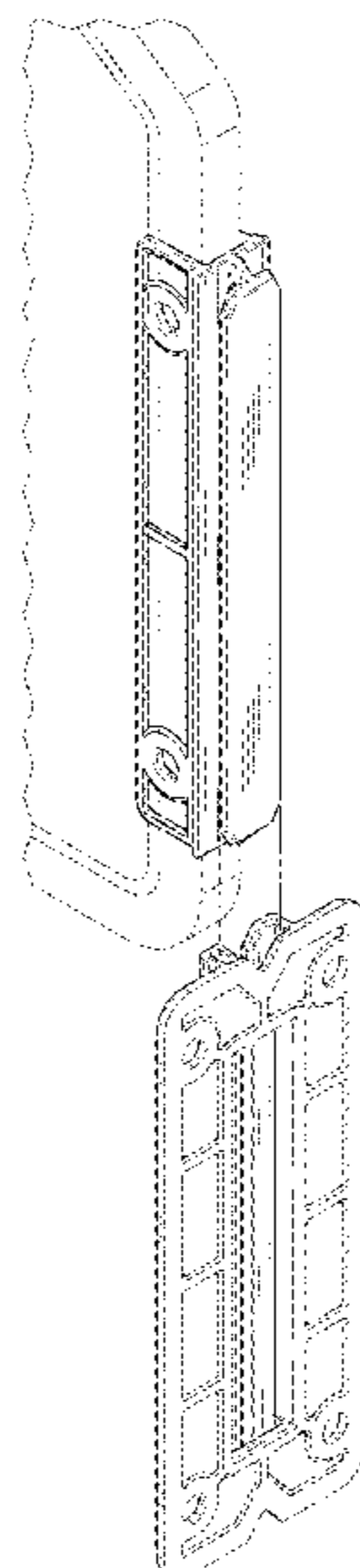
FIG. 1 is a front perspective view of the divider wall coupling assembly, as shown in conjunction with an enclosure and a divider wall;  
 FIG. 2 is a front perspective view thereof, shown in an open position of use;  
 FIG. 3 is a front perspective view of FIG. 2;  
 FIG. 4 is a rear perspective view of FIG. 2, as shown in conjunction with part of the divider wall;  
 FIG. 5 is a front view of FIG. 2;  
 FIG. 6 is a rear view of FIG. 2;  
 FIG. 7 is a first side view of FIG. 2;  
 FIG. 8 is a second side view of FIG. 2;  
 FIG. 9 is a top view of shown in a closed position of use;  
 FIG. 10 is a bottom view thereof; and,  
 FIG. 11 is a front perspective view of a divider wall coupling assembly of FIG. 1.  
 In the drawings, the broken lines depict environmental subject matter only and form no part of the claimed design.

(56) **References Cited**

**U.S. PATENT DOCUMENTS**

3,106,994 A \* 10/1963 Scott ..... F16B 5/0291  
 403/231  
 4,389,133 A 6/1983 Oberst  
 4,436,215 A 3/1984 Kleinert et al.  
 4,828,133 A \* 5/1989 Hougendobler ... B65D 5/48024  
 220/533  
 5,265,993 A \* 11/1993 Wayne ..... B60P 7/14  
 220/500  
 5,630,537 A 5/1997 Sciacca

**1 Claim, 9 Drawing Sheets**



(56)

**References Cited**

U.S. PATENT DOCUMENTS

D931,152 S \* 9/2021 Rabska ..... D12/162  
2013/0186794 A1 7/2013 Kinsky et al.

\* cited by examiner

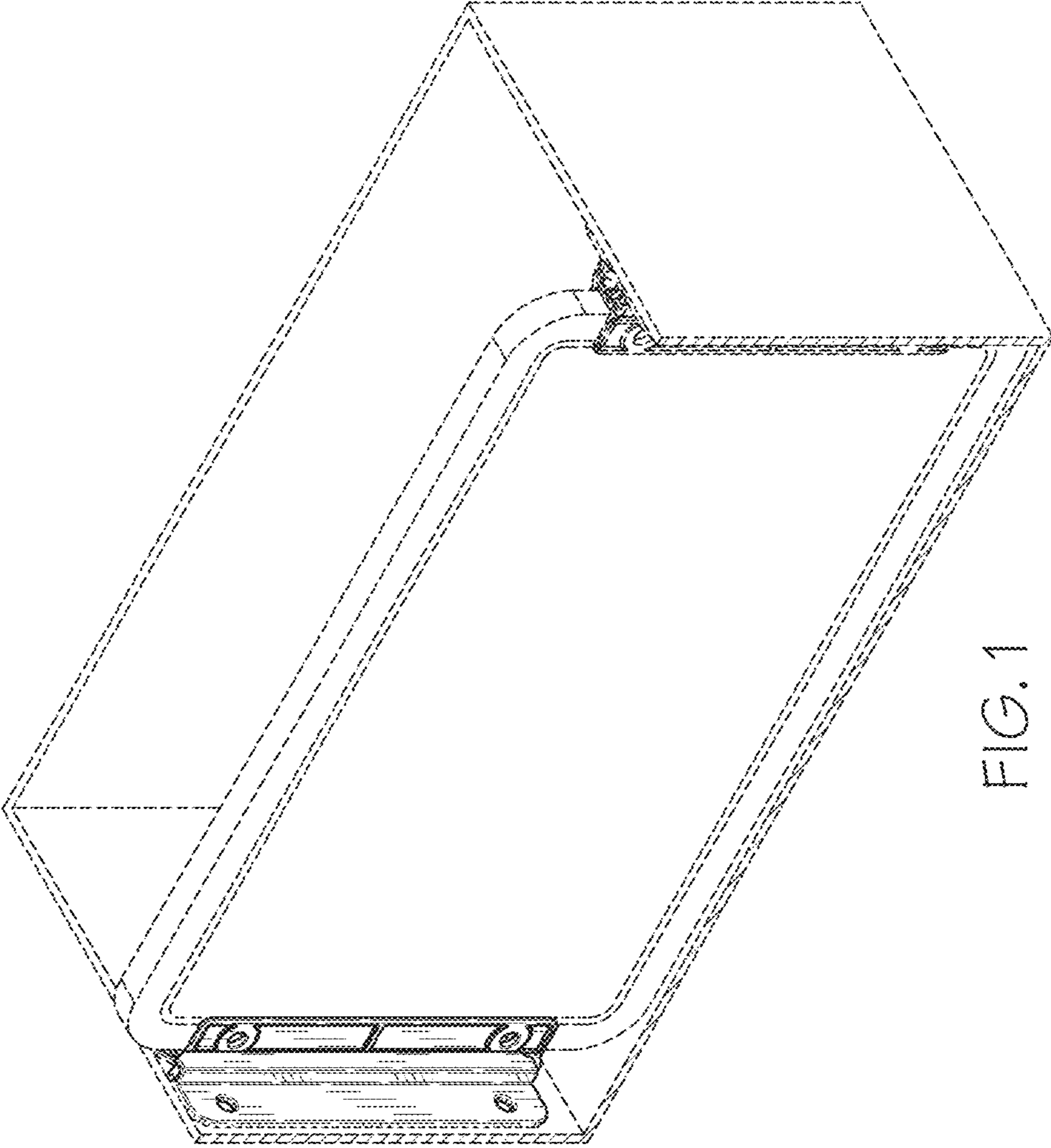


FIG. 1

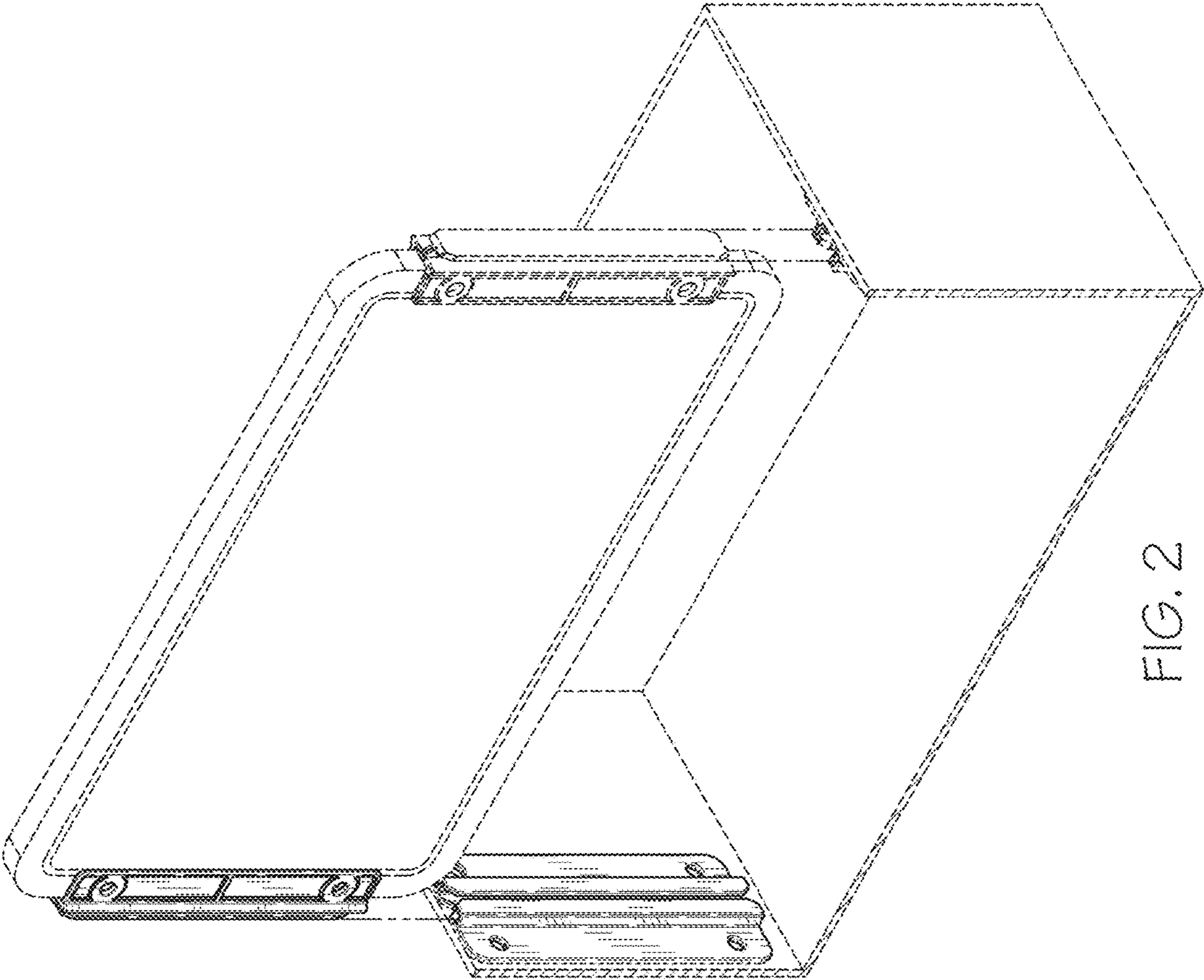


FIG. 2

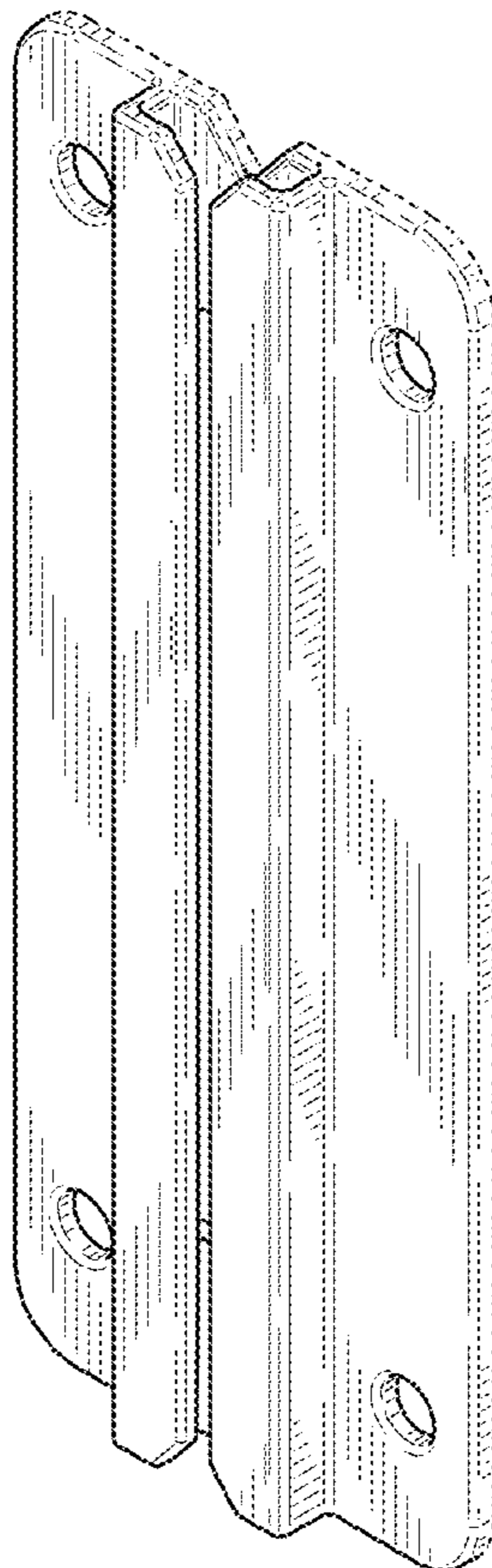
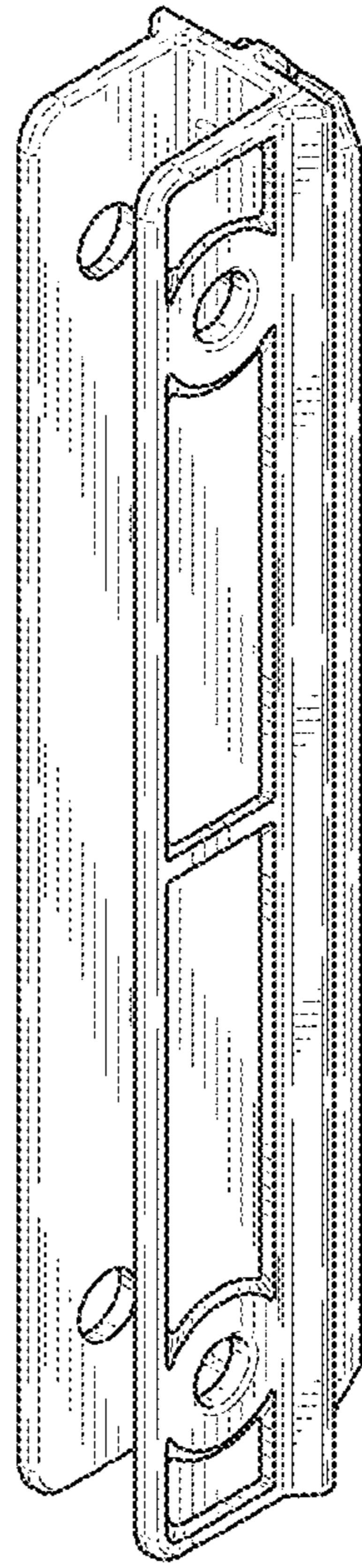


FIG. 3



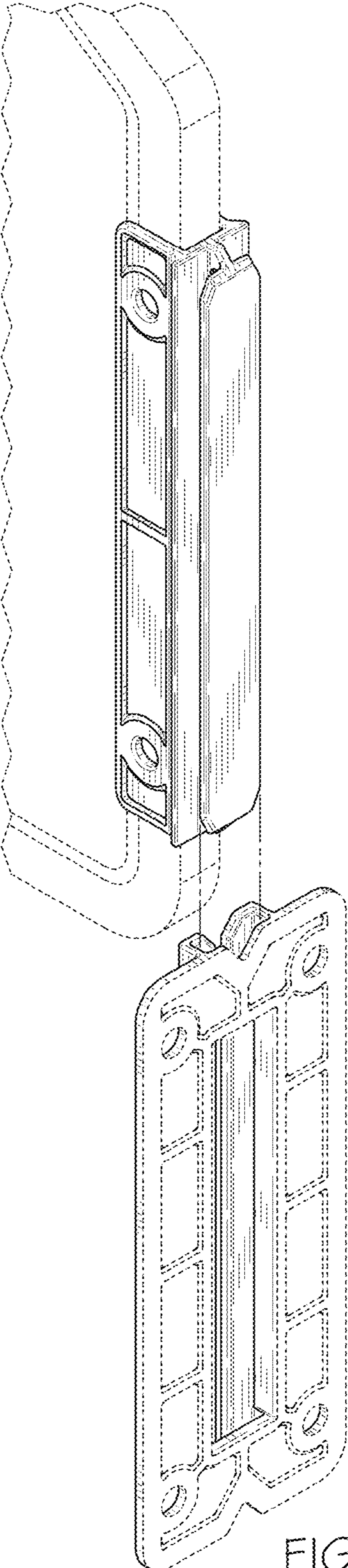


FIG. 4

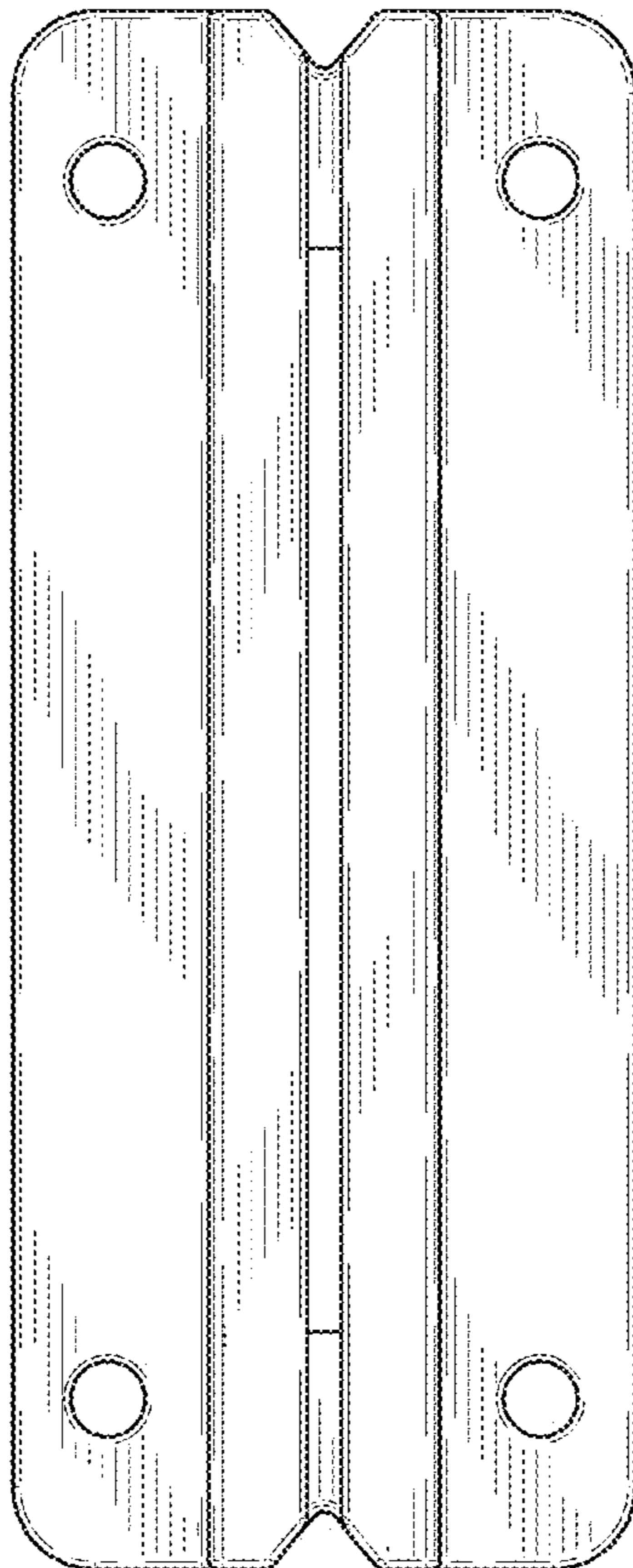
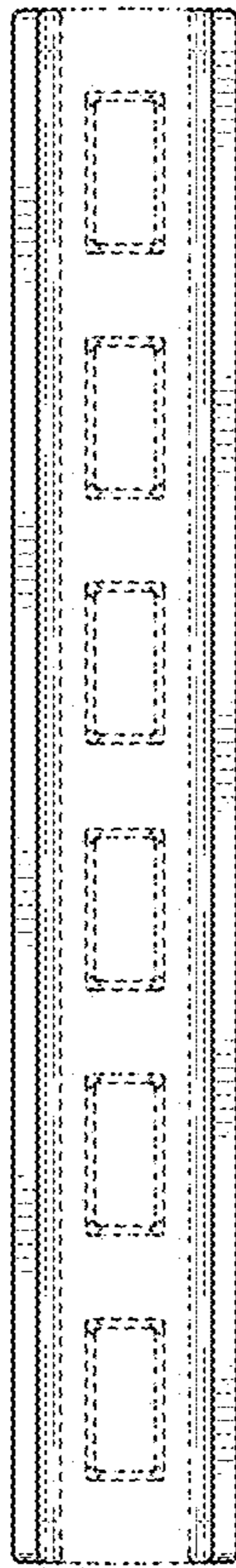


FIG. 5

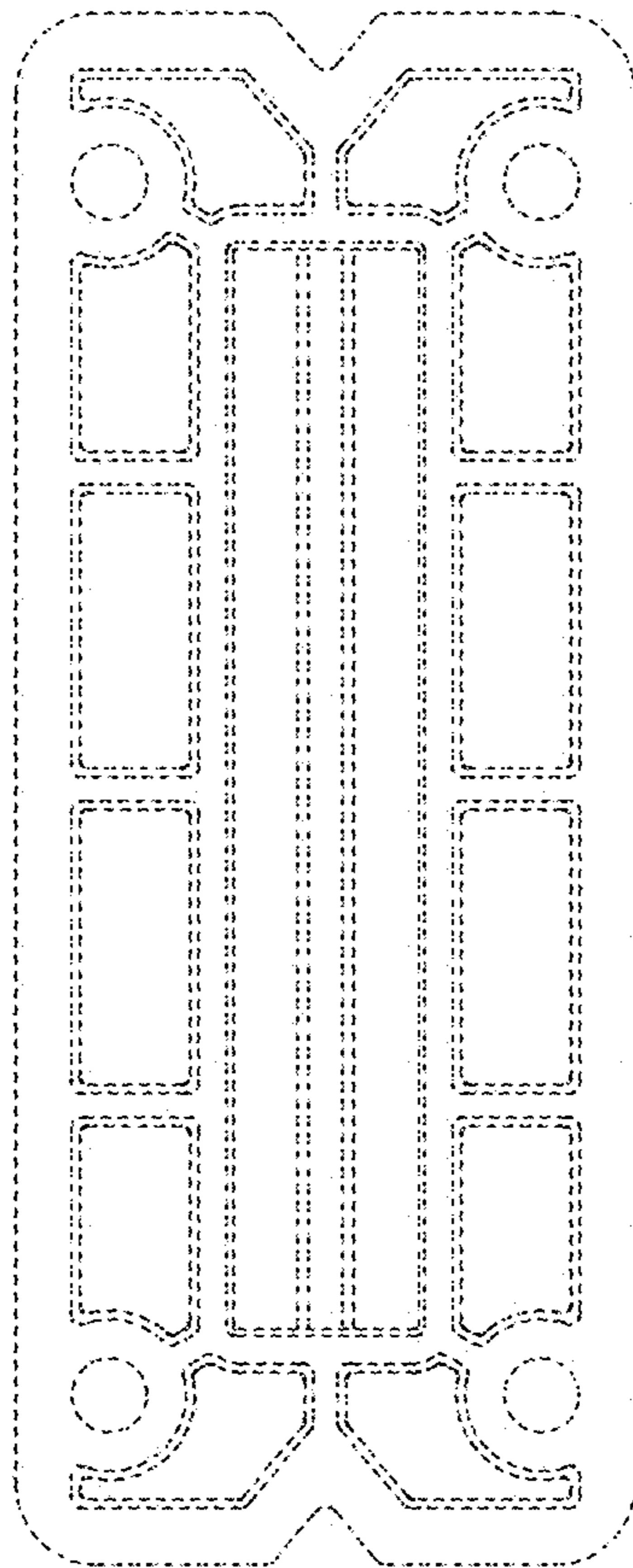
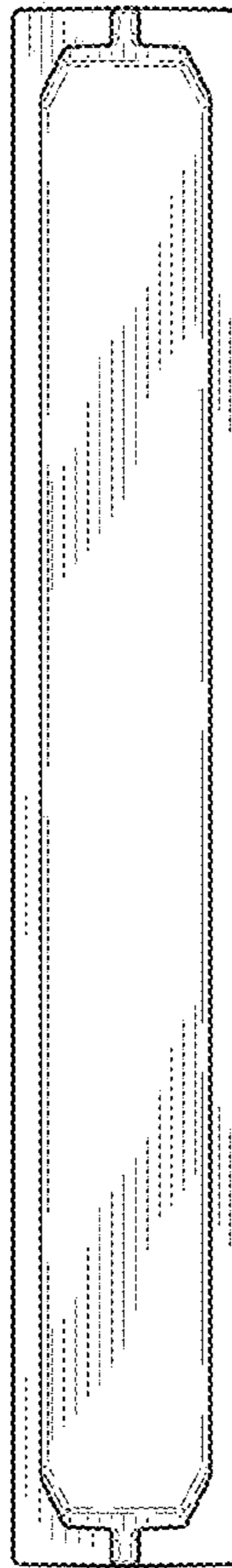


FIG. 6



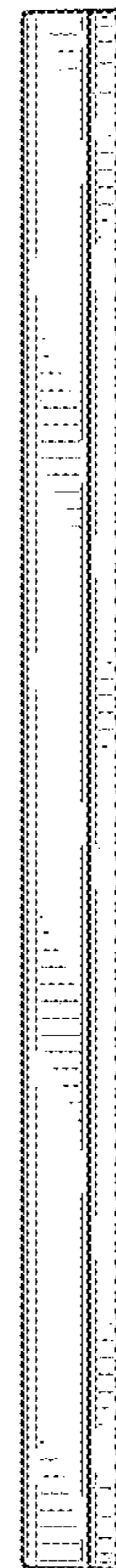
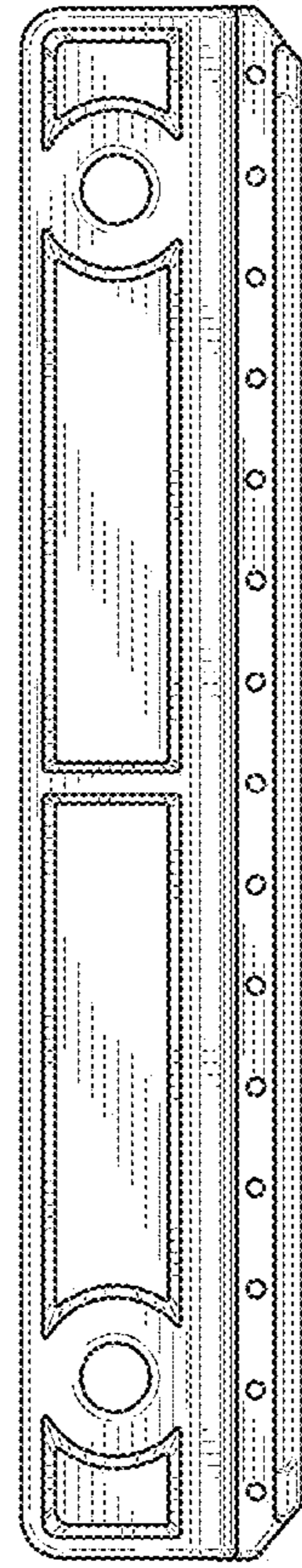
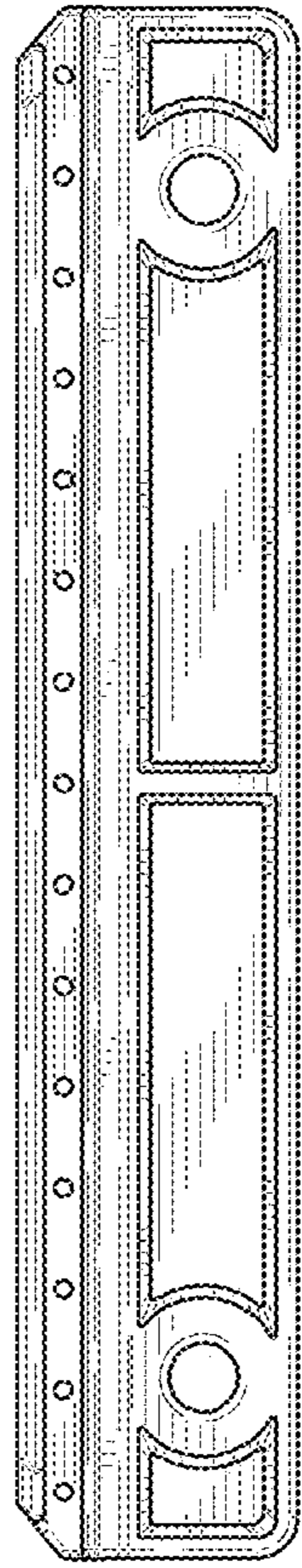


FIG. 7

FIG. 8

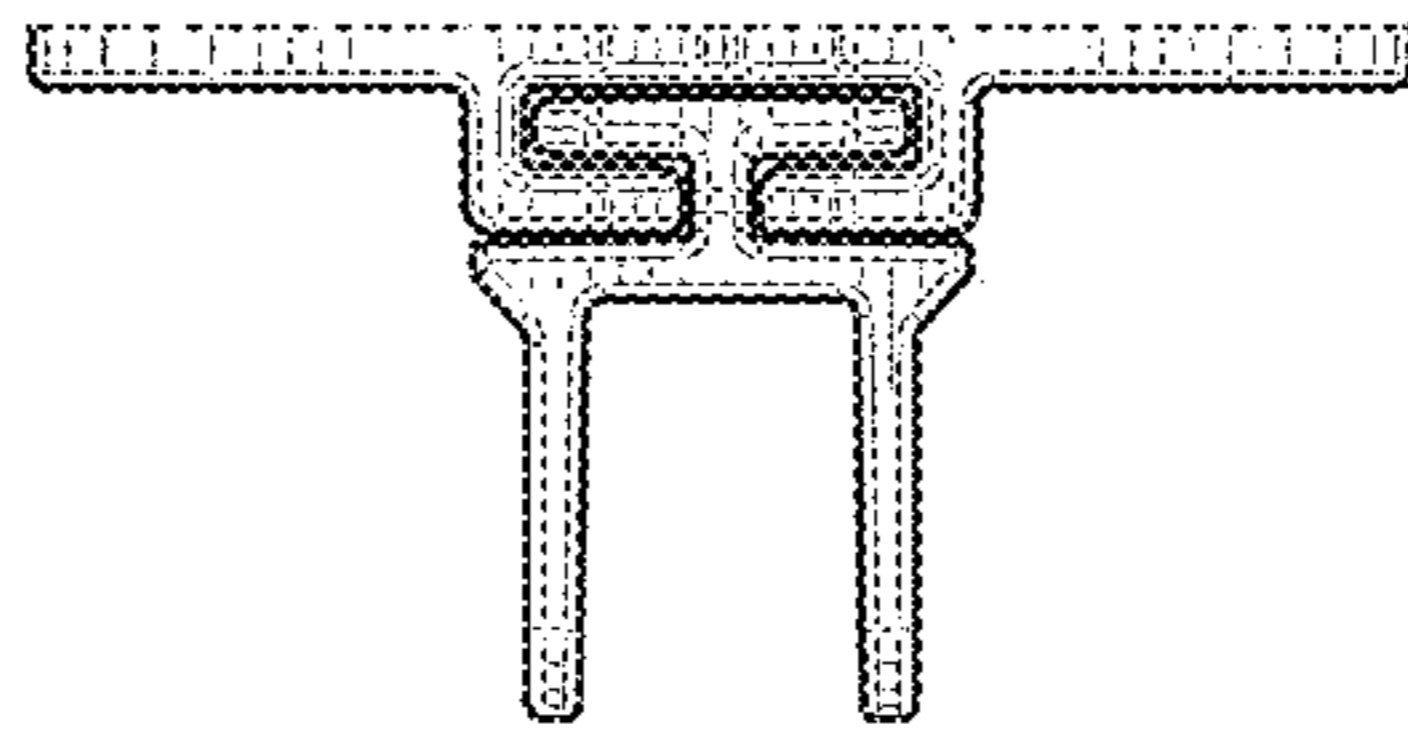


FIG. 9

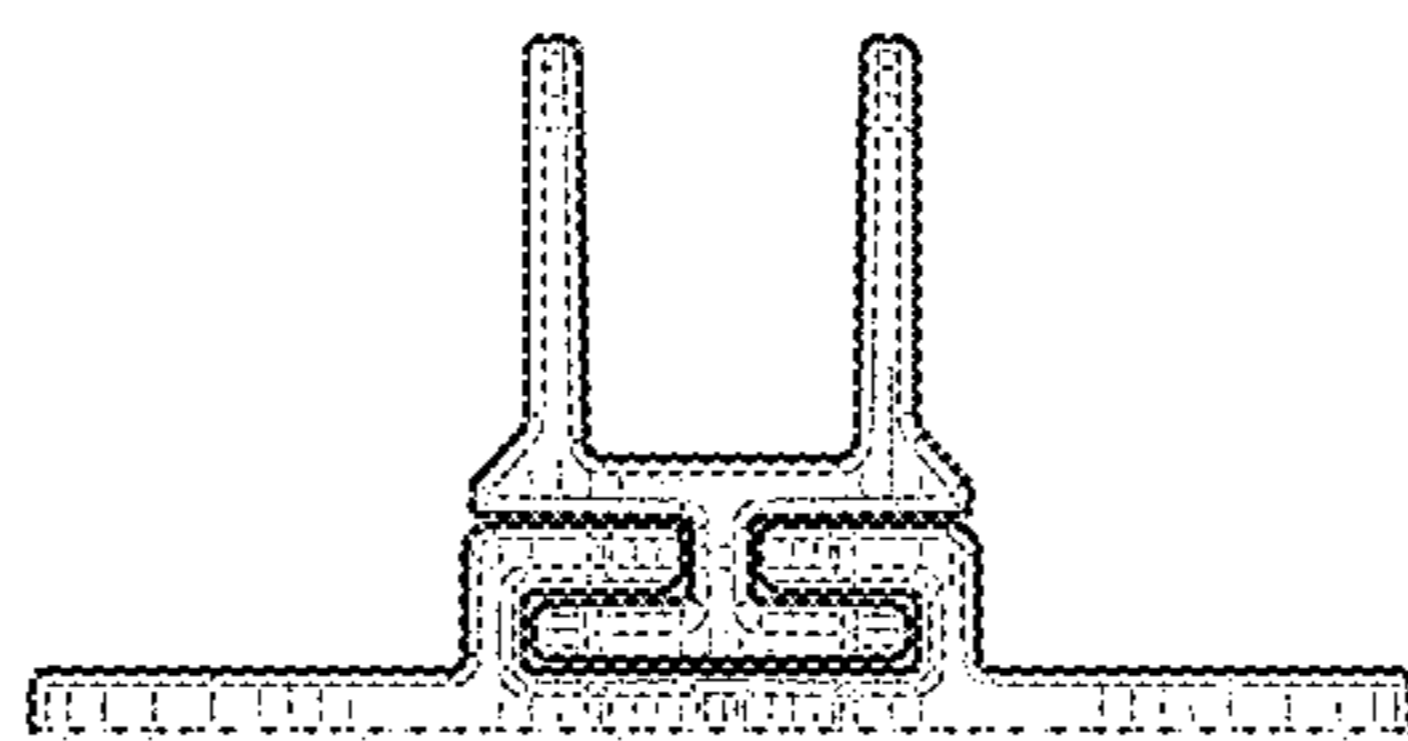


FIG. 10

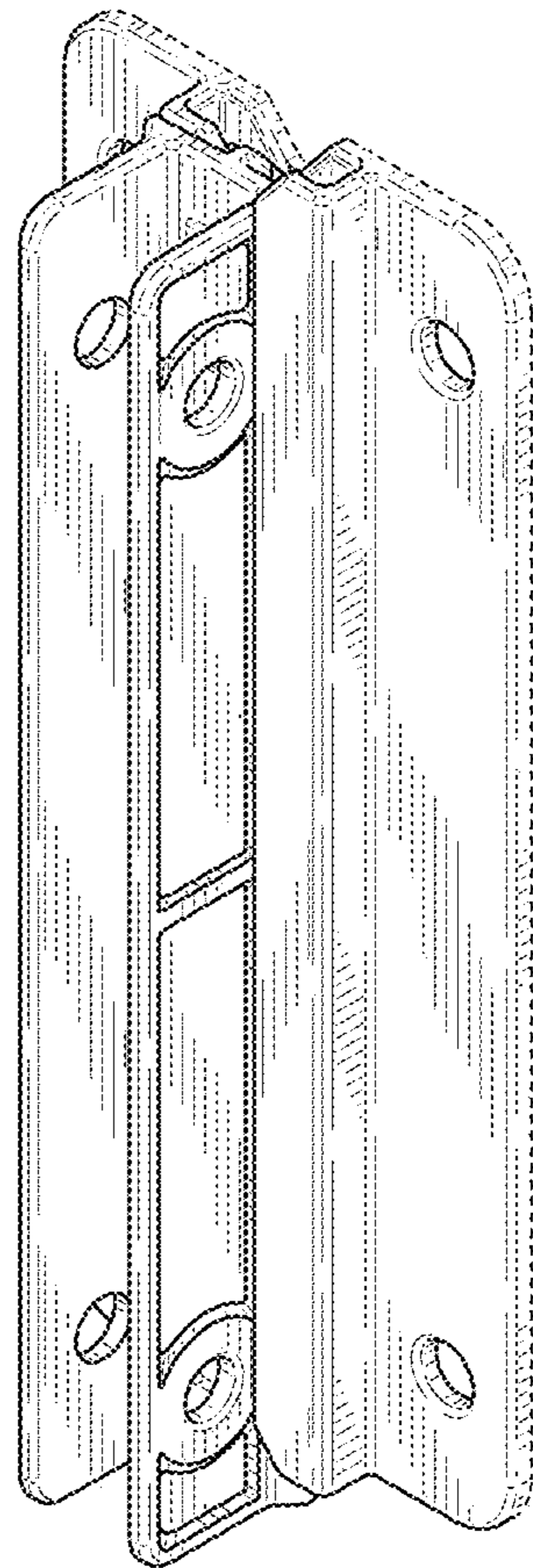


FIG. 11