



US00D941666S

(12) **United States Design Patent**  
**Hozumi et al.**

(10) **Patent No.:** **US D941,666 S**  
(45) **Date of Patent:** **\*\* Jan. 25, 2022**

(54) **CASTER**

(74) *Attorney, Agent, or Firm* — Nixon & Vanderhye PC

(71) Applicant: **HAMMER CASTER Co., Ltd.**, Osaka (JP)

(57) **CLAIM**

The ornamental design for a caster, as shown and described.

(72) Inventors: **Mitsunobu Hozumi**, Kobe (JP); **Ryo Shimizu**, Suita (JP)

**DESCRIPTION**

(73) Assignee: **HAMMER CASTER CO., LTD.**, Osaka (JP)

FIG. 1 is a first perspective view of a first embodiment of a caster showing our new design;

(\*\*) Term: **15 Years**

FIG. 2 is a second perspective view thereof;

(21) Appl. No.: **29/665,577**

FIG. 3 is a front view thereof;

(22) Filed: **Oct. 4, 2018**

FIG. 4 is a back view thereof;

(30) **Foreign Application Priority Data**

FIG. 5 is a top view thereof;

Apr. 9, 2018 (JP) ..... 2018-007752

FIG. 6 is a bottom view thereof;

Apr. 9, 2018 (JP) ..... 2018-007753

FIG. 7 is a right view thereof;

(Continued)

FIG. 8 is a left view thereof;

(51) **LOC (13) Cl.** ..... **08-05**

FIG. 9 is an enlarged sectional view indicated in FIG. 3;

(52) **U.S. Cl.**

FIG. 10 is an enlarged sectional view indicated in FIG. 5;

USPC ..... **D8/375**

FIG. 11 is a first perspective view of a second embodiment of a caster showing our new design;

(58) **Field of Classification Search**

FIG. 12 is a second perspective view thereof;

USPC ..... D8/354, 366, 371, 372, 367, 374, 373,

FIG. 13 is a front view thereof;

D8/376, 375

FIG. 14 is a back view thereof;

(Continued)

FIG. 15 is a top view thereof;

(56) **References Cited**

FIG. 16 is a bottom view thereof;

**U.S. PATENT DOCUMENTS**

FIG. 17 is a right view thereof;

D239,433 S \* 4/1976 Sugasawara ..... D8/375

FIG. 18 is a left view thereof;

7,647,673 B2 \* 1/2010 Melara ..... B60B 33/001

FIG. 19 is an enlarged sectional view indicated in FIG. 13;

16/35 R

FIG. 20 is an enlarged sectional view indicated in FIG. 15;

(Continued)

FIG. 21 is a first perspective view of a third embodiment of a caster showing our new design;

**OTHER PUBLICATIONS**

FIG. 22 is a second perspective view thereof;

U.S. Appl. No. 29/665,578, filed Oct. 4, 2018, Hozumi et al.

FIG. 23 is a front view thereof;

U.S. Appl. No. 29/665,583, filed Oct. 4, 2018, Hozumi et al.

FIG. 24 is a back view thereof;

FIG. 25 is a top view thereof;

FIG. 26 is a bottom view thereof;

FIG. 27 is a right view thereof;

FIG. 28 is a left view thereof;

FIG. 29 is an enlarged sectional view indicated in FIG. 23;

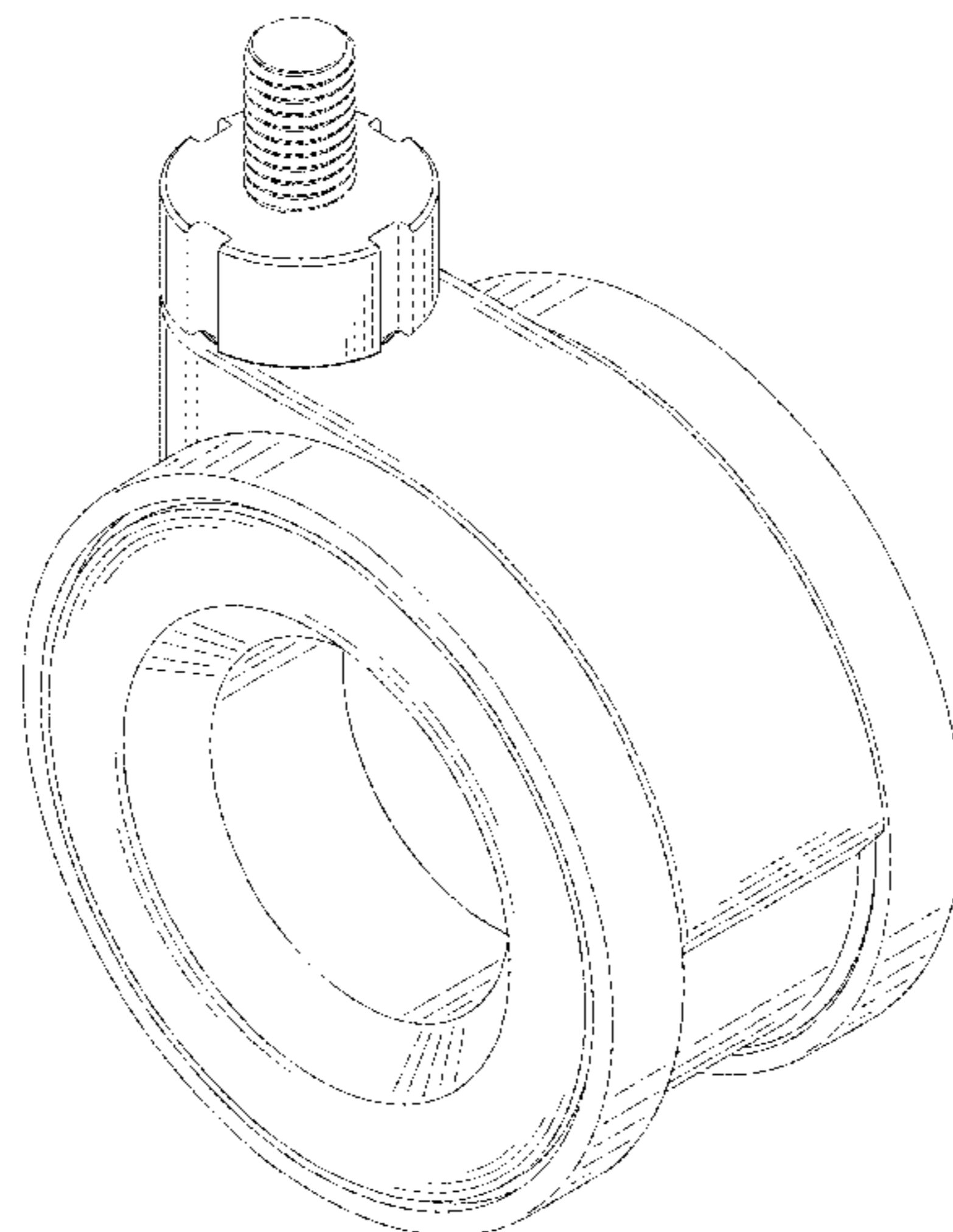
FIG. 30 is an enlarged sectional view indicated in FIG. 25.

and,

FIG. 30 is an enlarged sectional view indicated in FIG. 25.

*Primary Examiner* — Eliza Z Bennett-Hattan

**1 Claim, 30 Drawing Sheets**



(30) **Foreign Application Priority Data**

Apr. 9, 2018 (JP) ..... 2018-007754  
Apr. 9, 2018 (JP) ..... 2018-007755

(58) **Field of Classification Search**

CPC ..... B60B 33/0028; B60B 33/001; B60B  
33/0073; B60B 33/0049; B60B 33/0057;  
B60B 33/0002; B60B 33/0068; B60B  
33/0039; B60B 33/0021; A47C 7/006

See application file for complete search history.

(56) **References Cited**

U.S. PATENT DOCUMENTS

8,375,515 B2 2/2013 Hozumi  
D766,073 S \* 9/2016 Hozumi ..... D8/375  
9,630,450 B1 \* 4/2017 Chang ..... B60B 33/0039  
D804,939 S \* 12/2017 Starck ..... D8/375  
10,059,148 B2 \* 8/2018 Lai ..... B60B 33/0047  
2002/0178539 A1 \* 12/2002 Donakowski ..... B60B 33/0057  
16/18 R  
2009/0193621 A1 \* 8/2009 Melara ..... B60B 33/0028  
16/35 R  
2011/0296649 A1 \* 12/2011 Hozumi ..... F16C 13/006  
16/48

\* cited by examiner

Fig.1

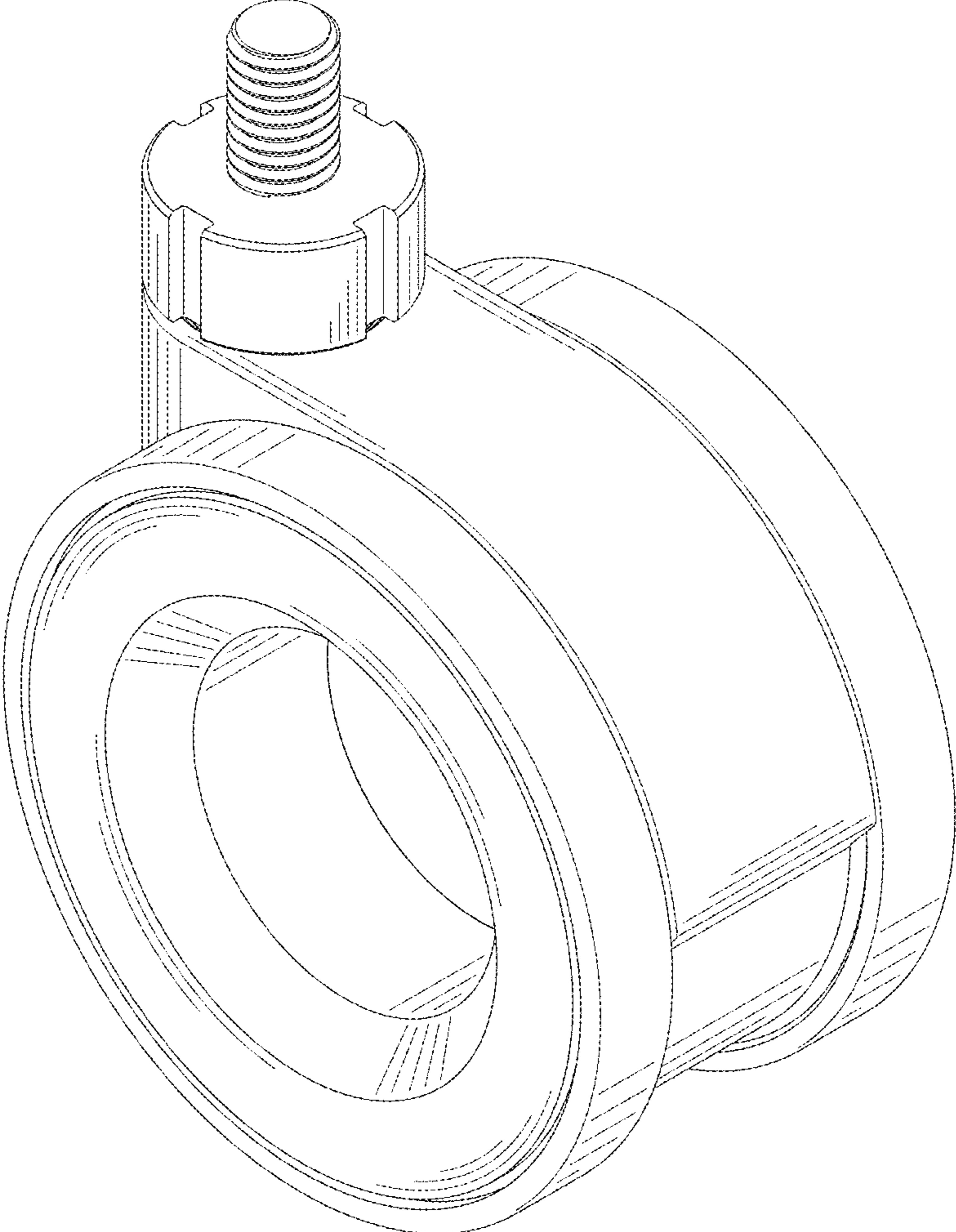


Fig. 2

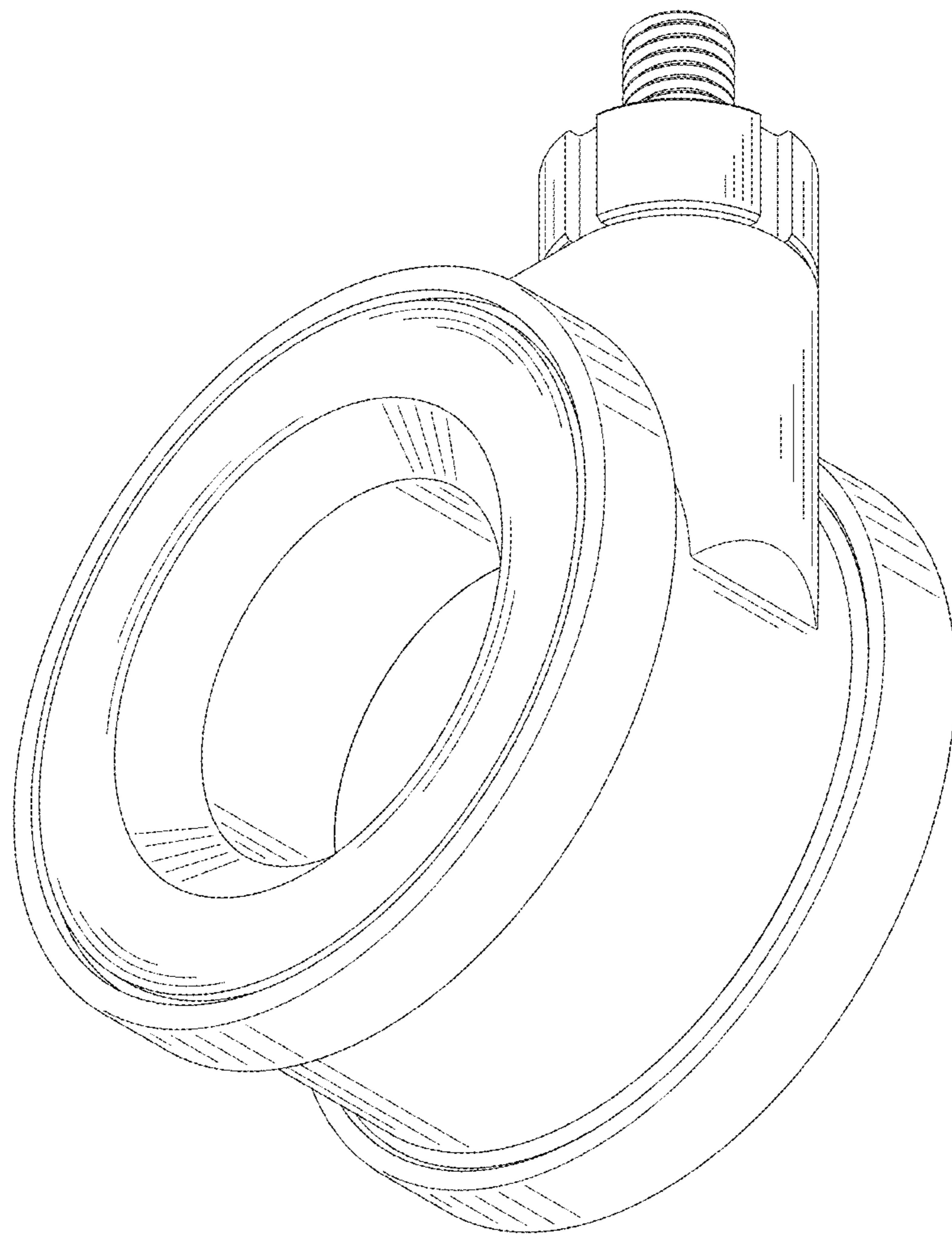


Fig. 3

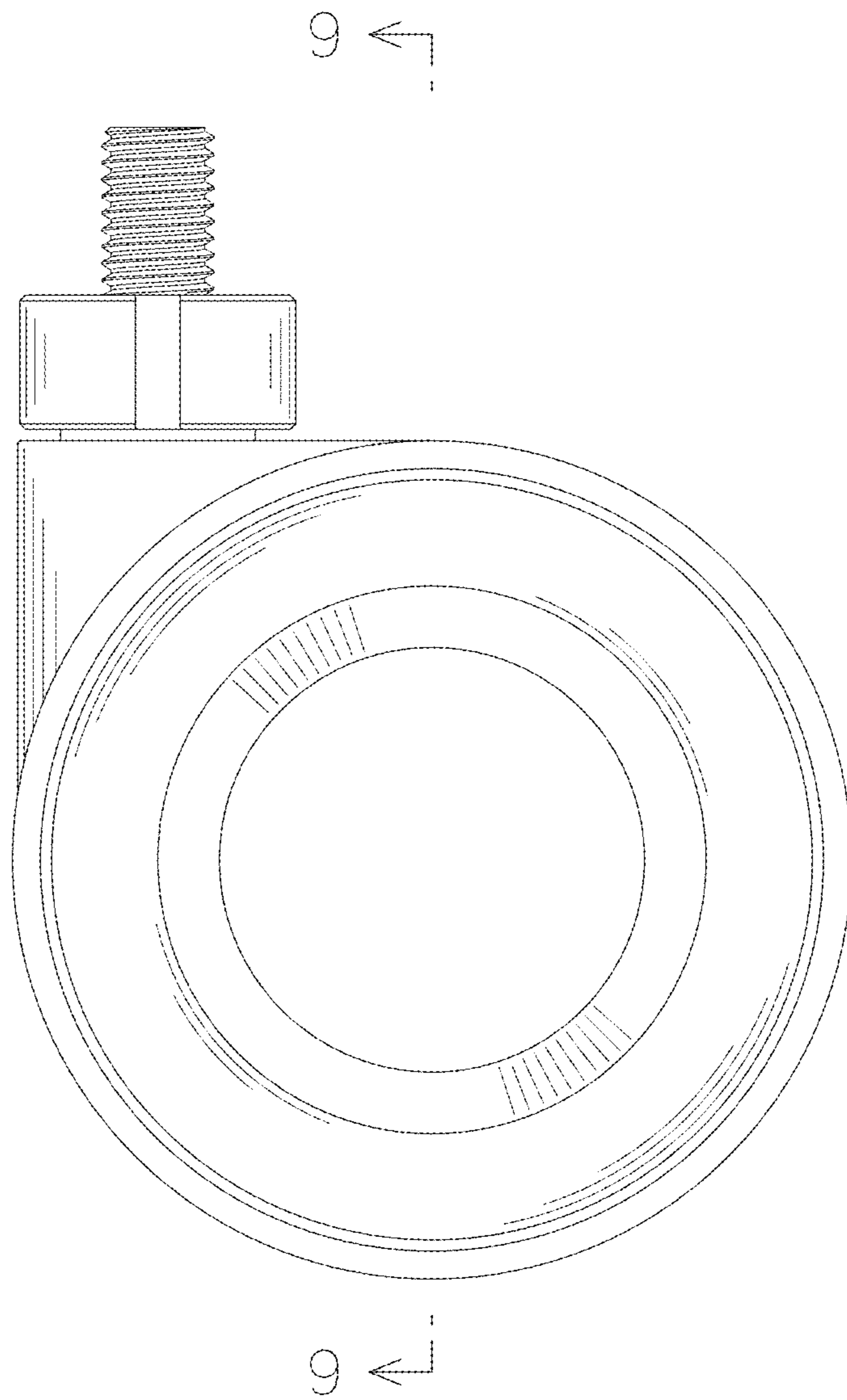




Fig. 4

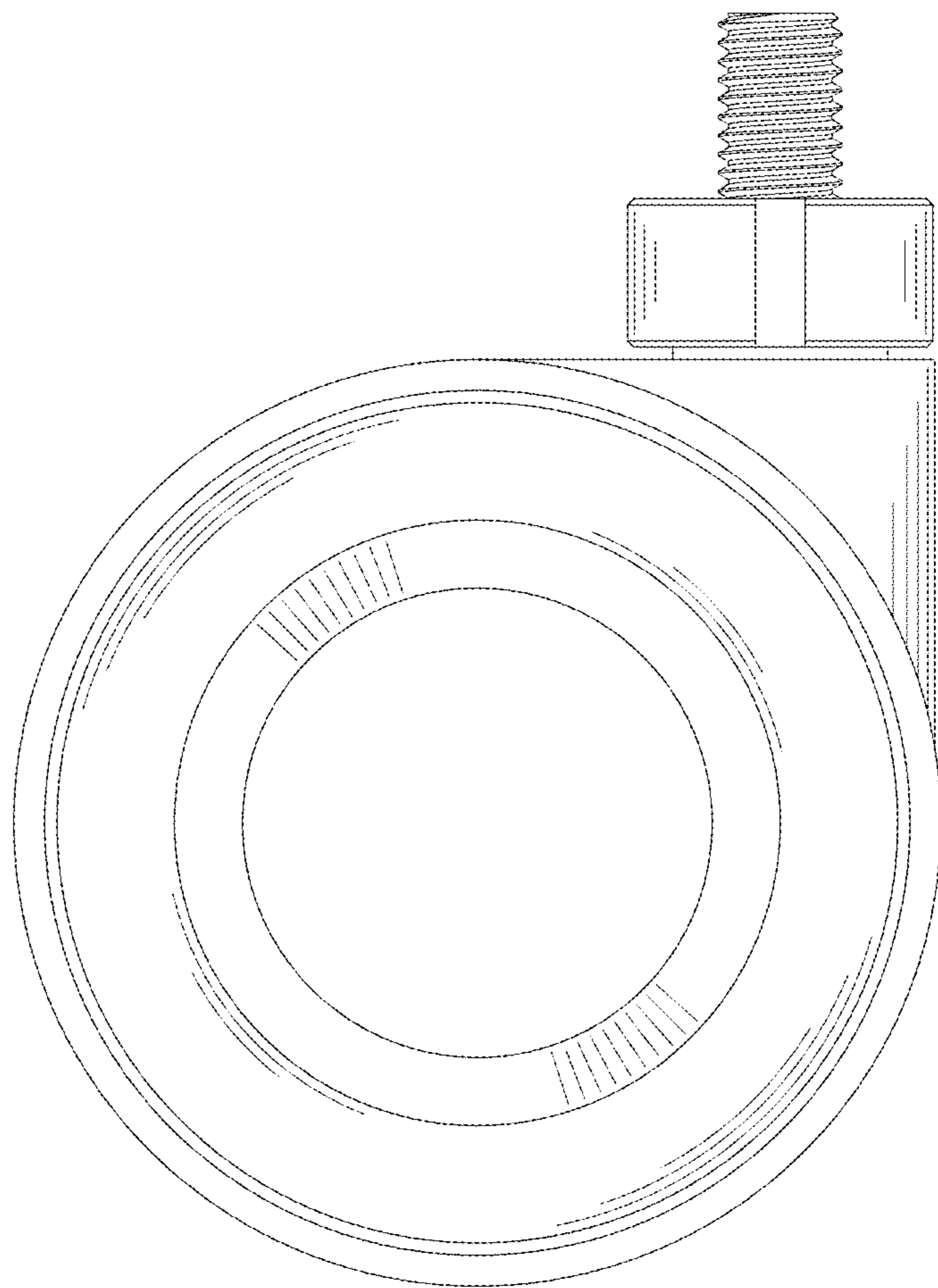


Fig. 5

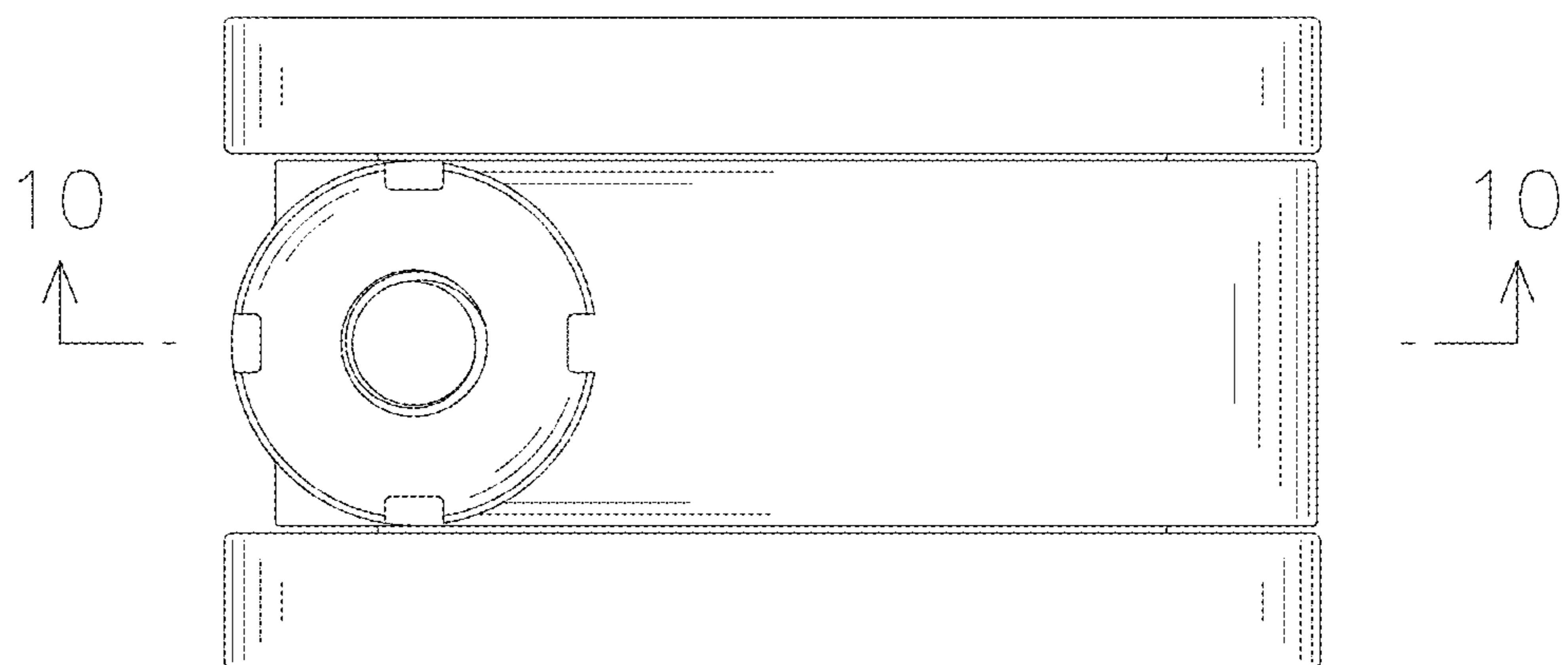


Fig. 6

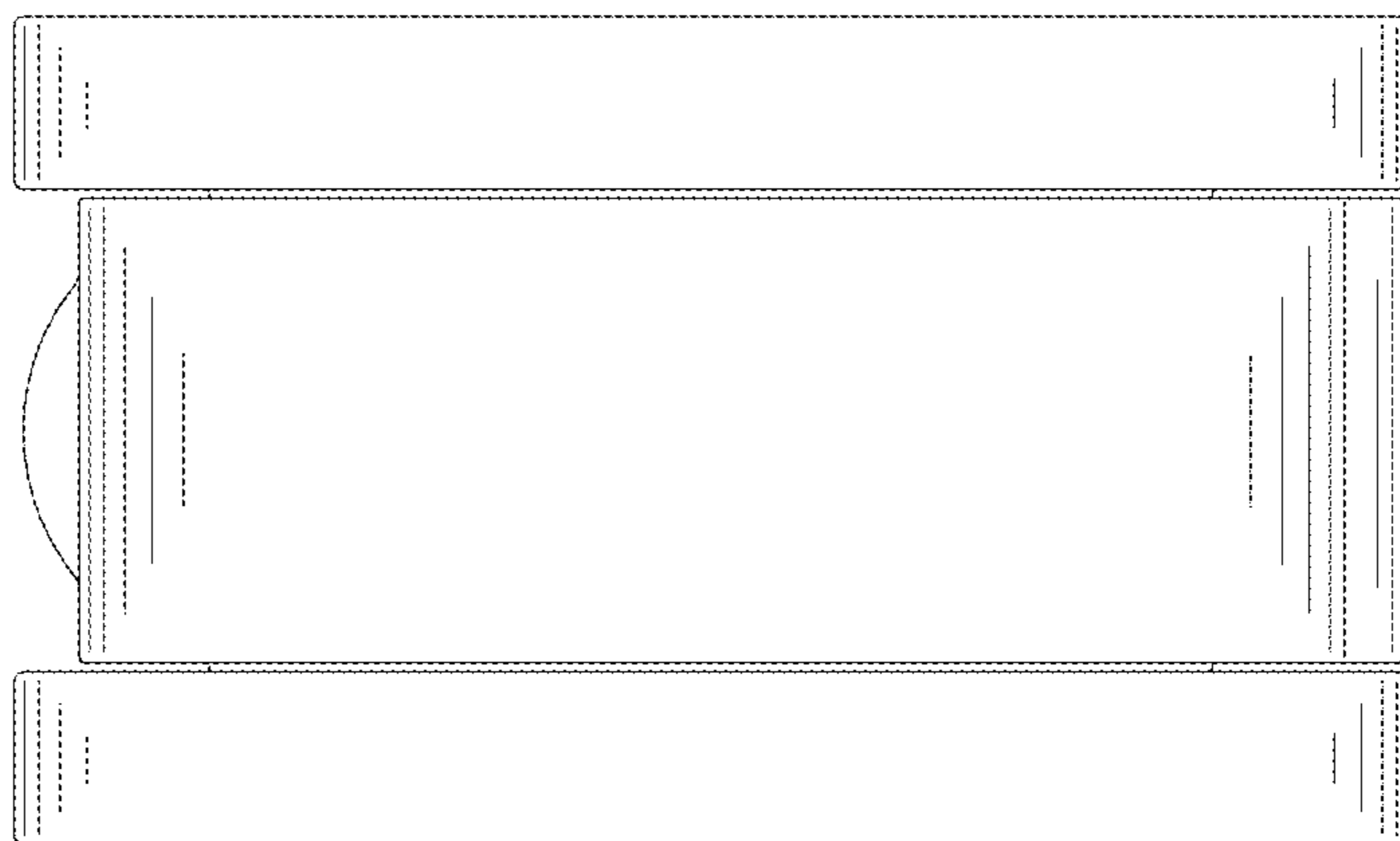




Fig. 7

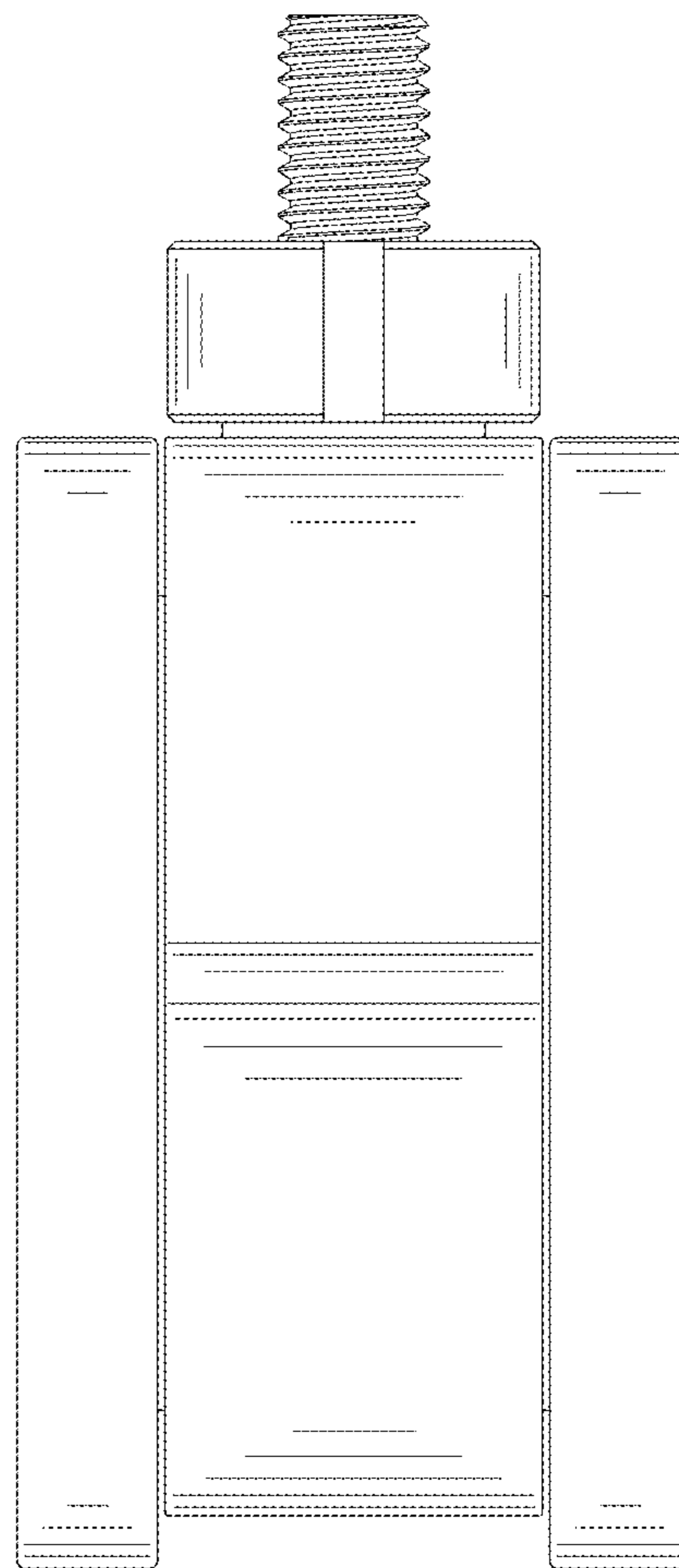


Fig. 8

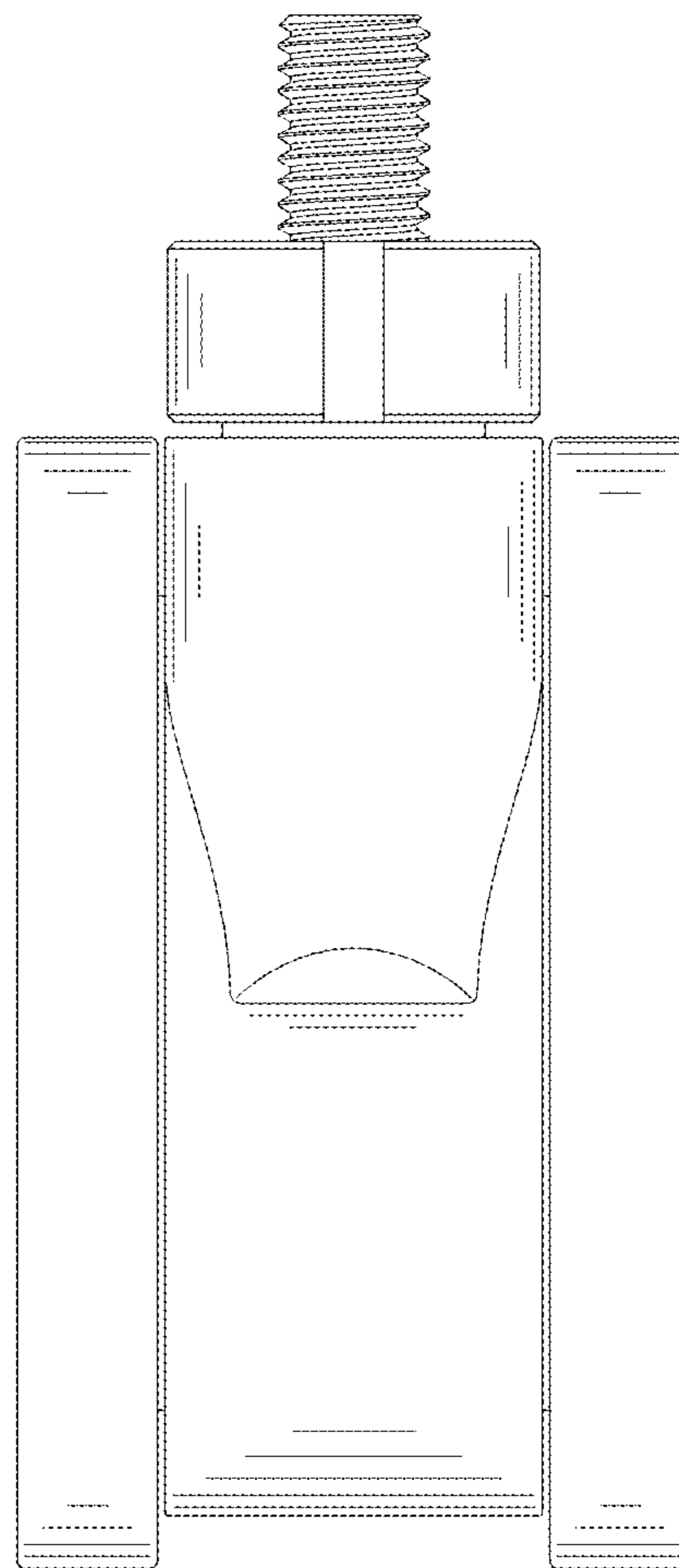


Fig. 9

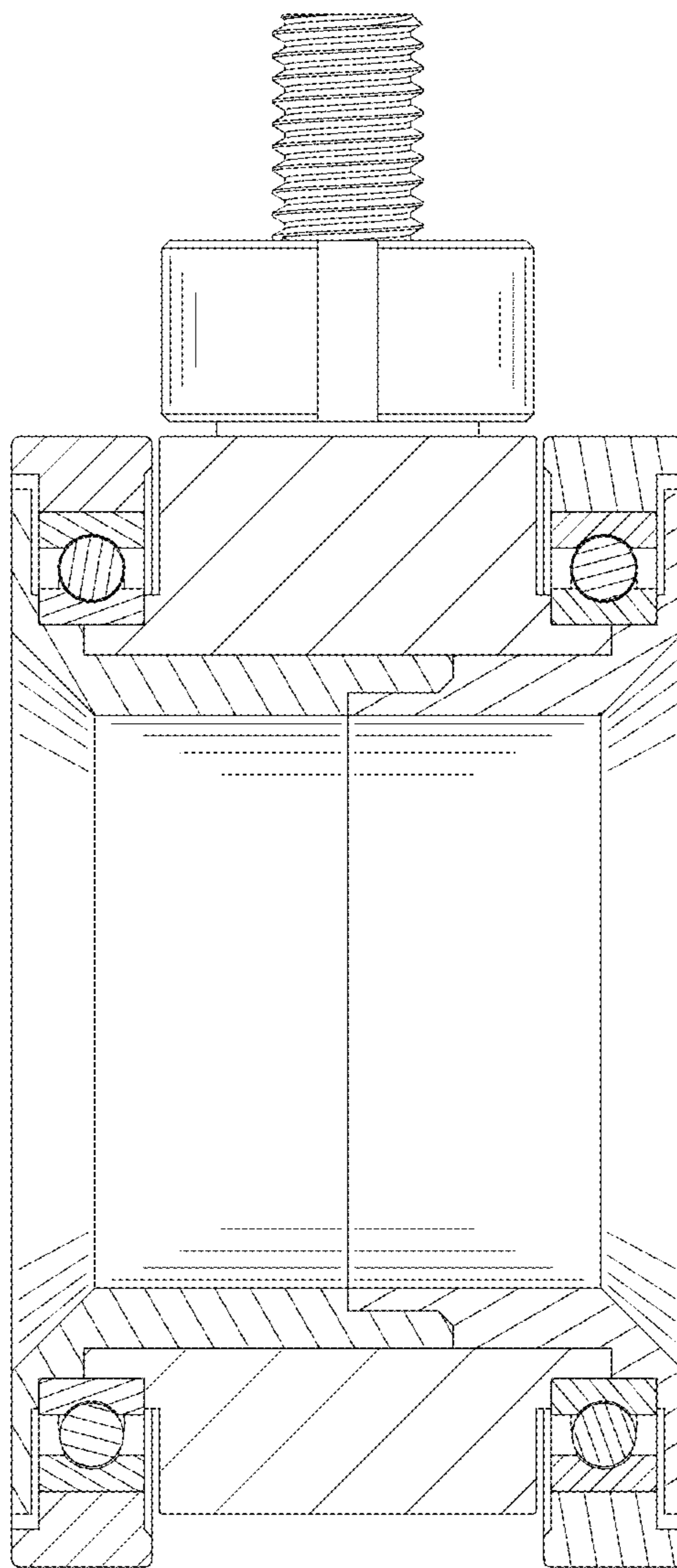


Fig.10

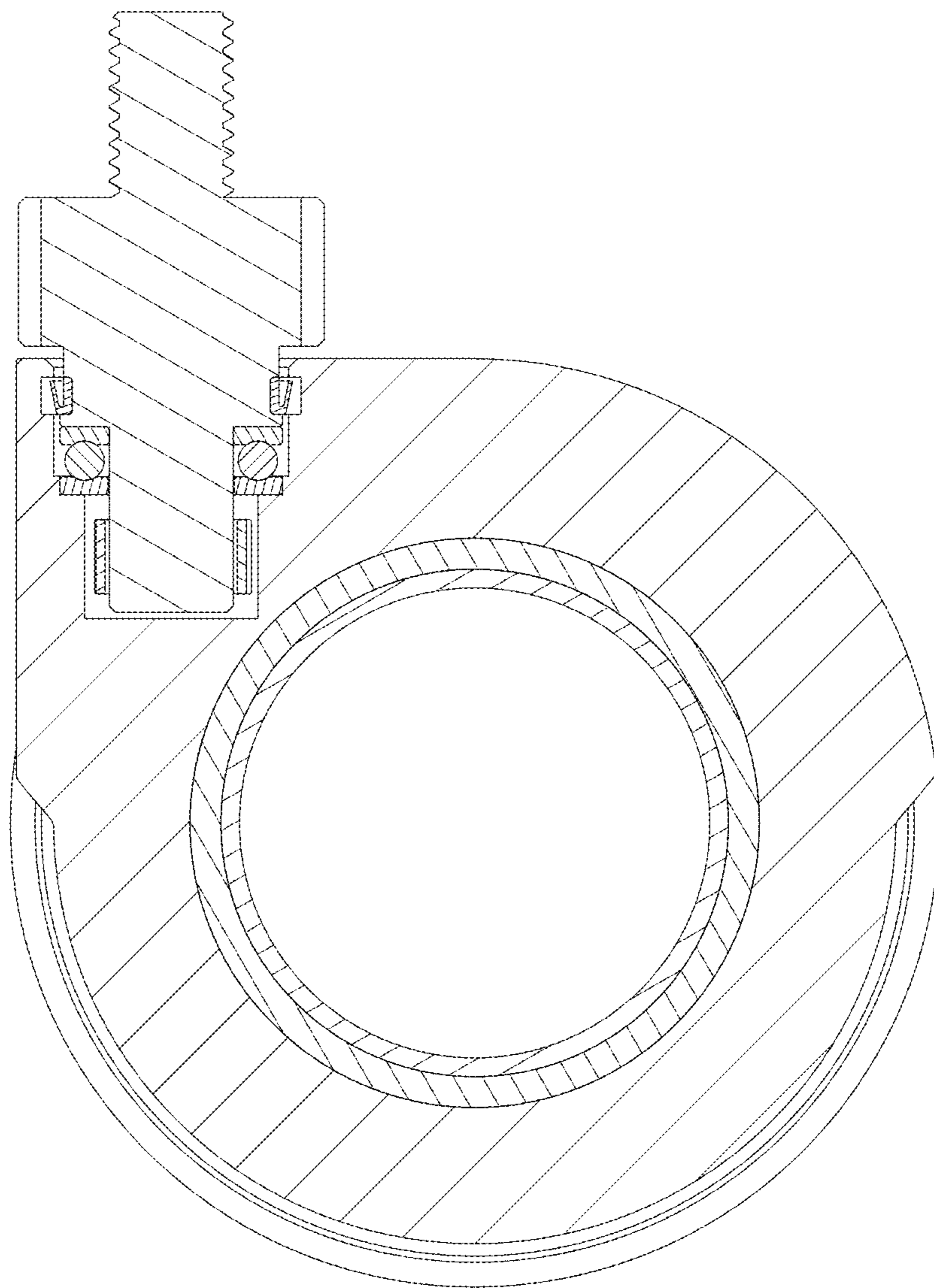


Fig.11

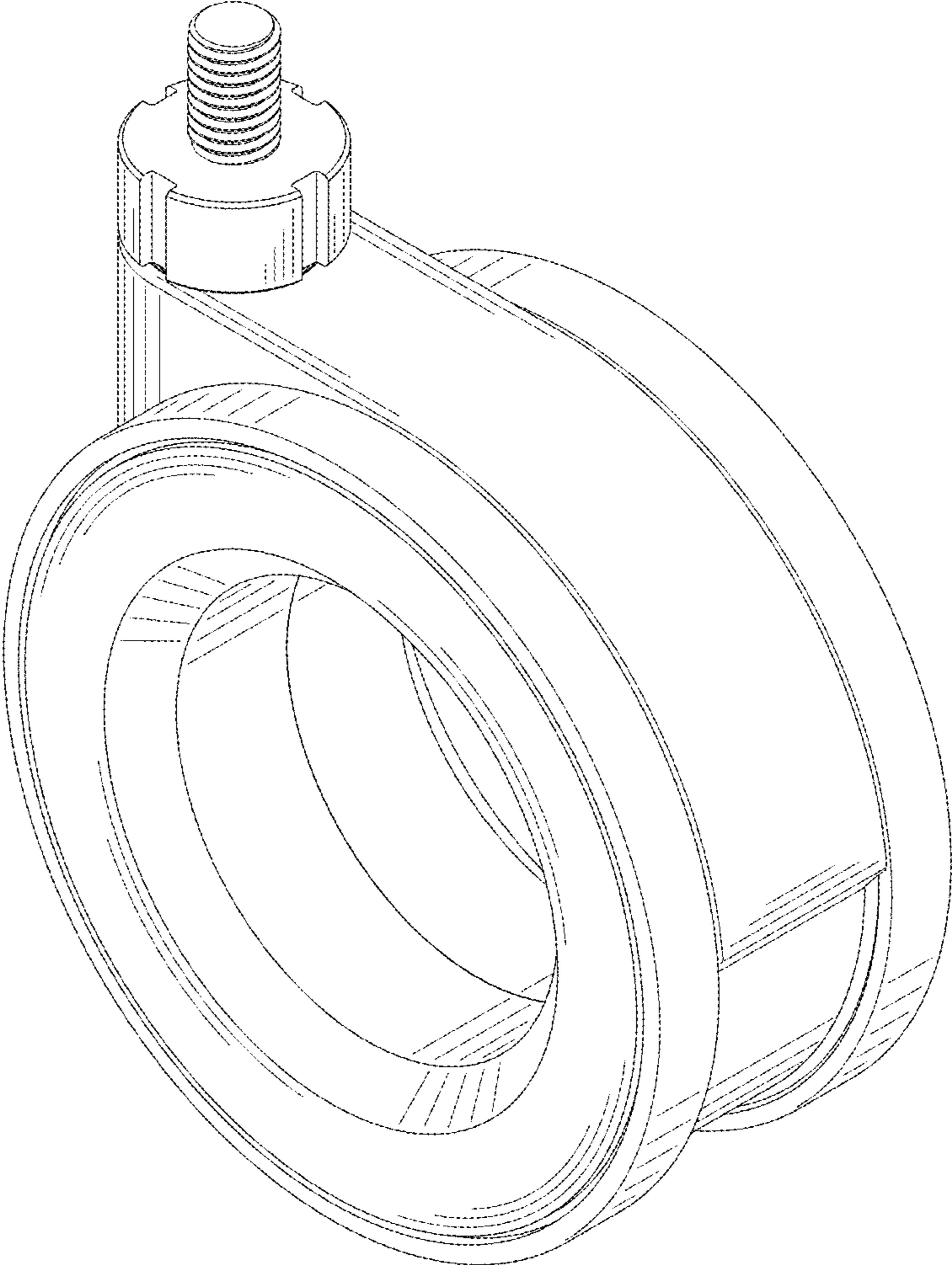


Fig.12

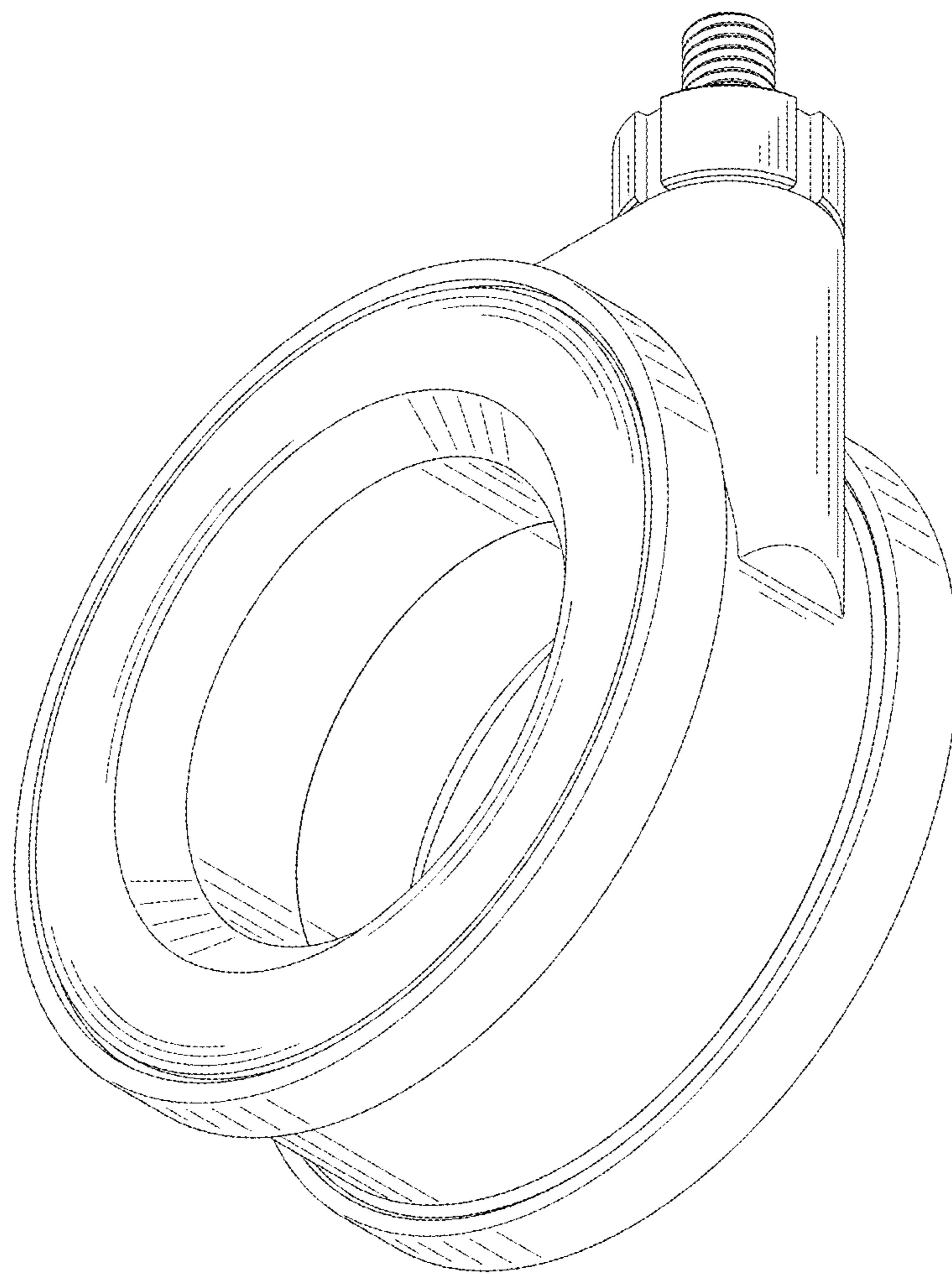




Fig.13

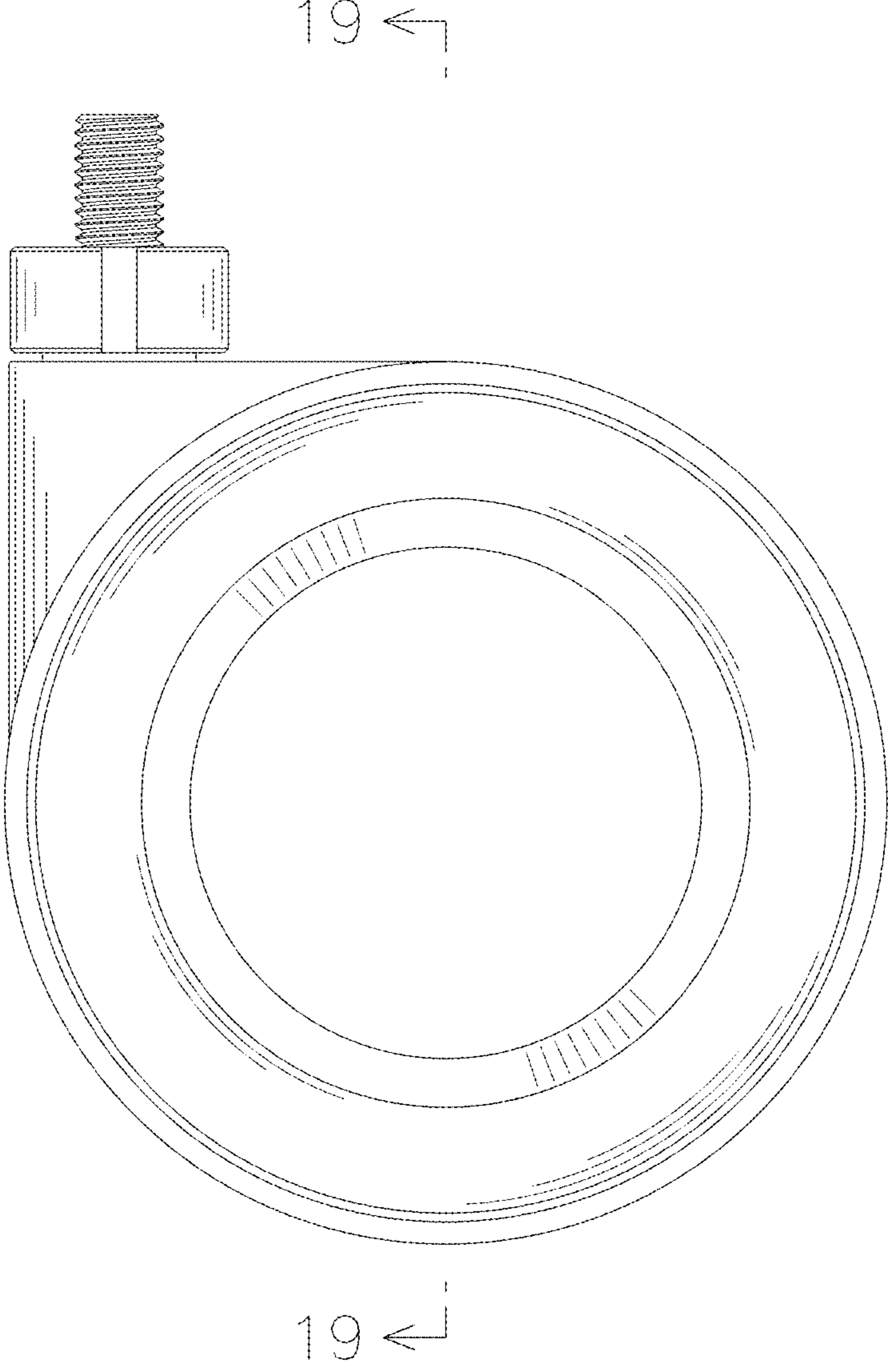


Fig.14

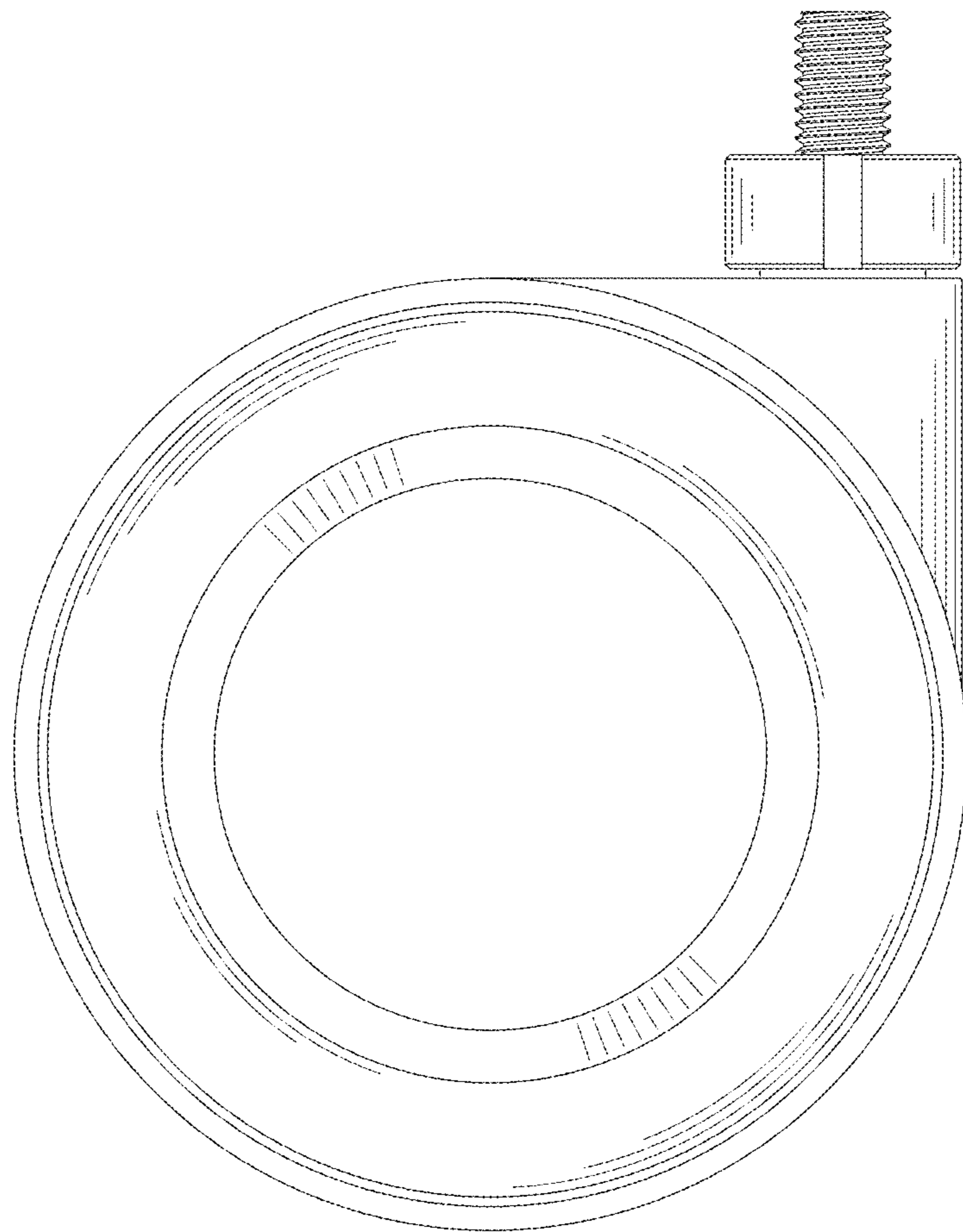


Fig.15

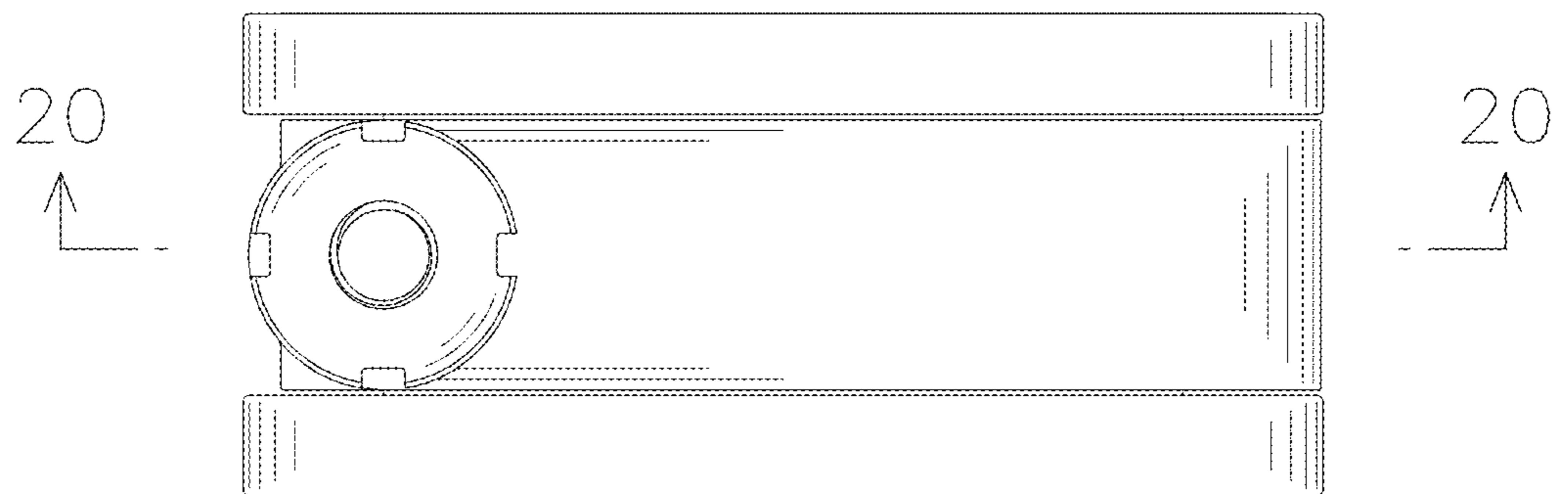


Fig.16

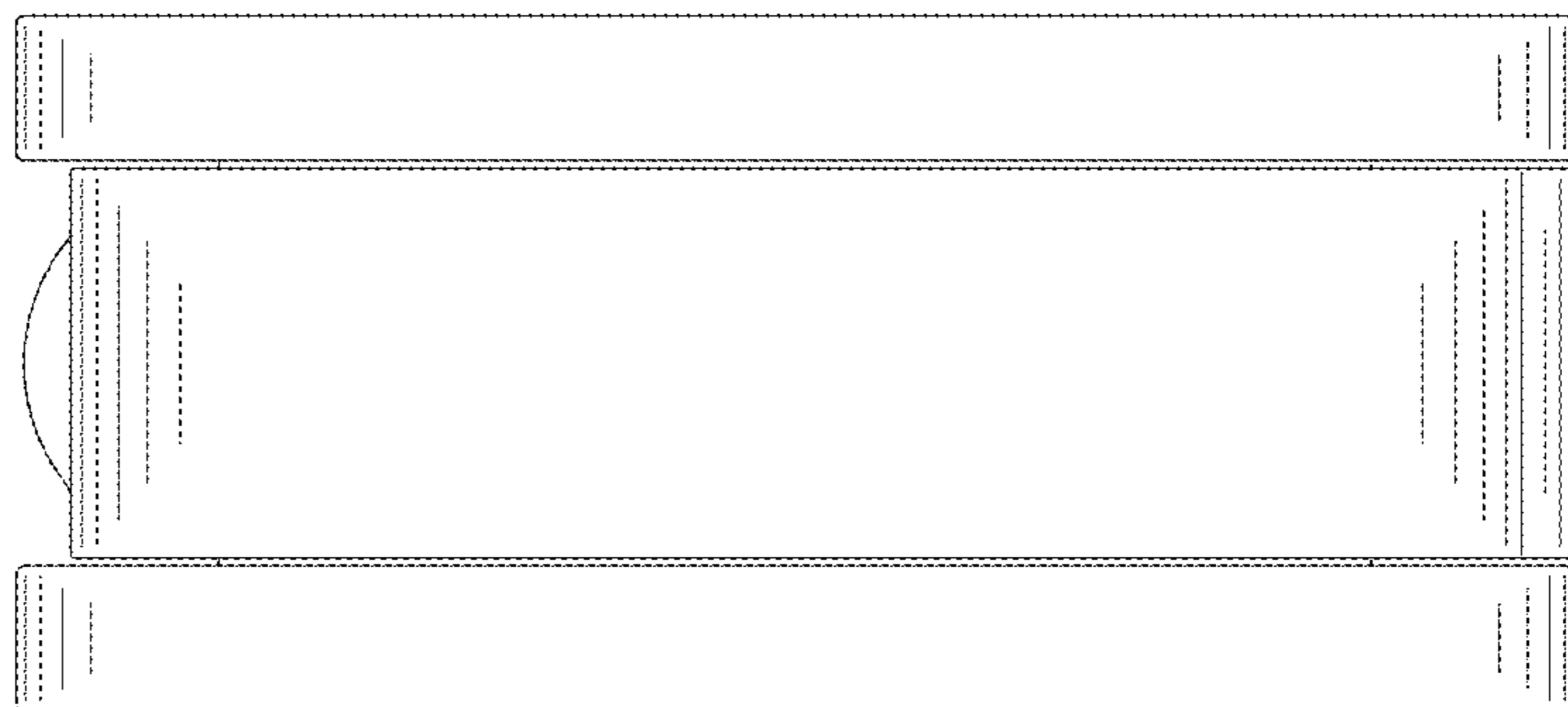


Fig.17

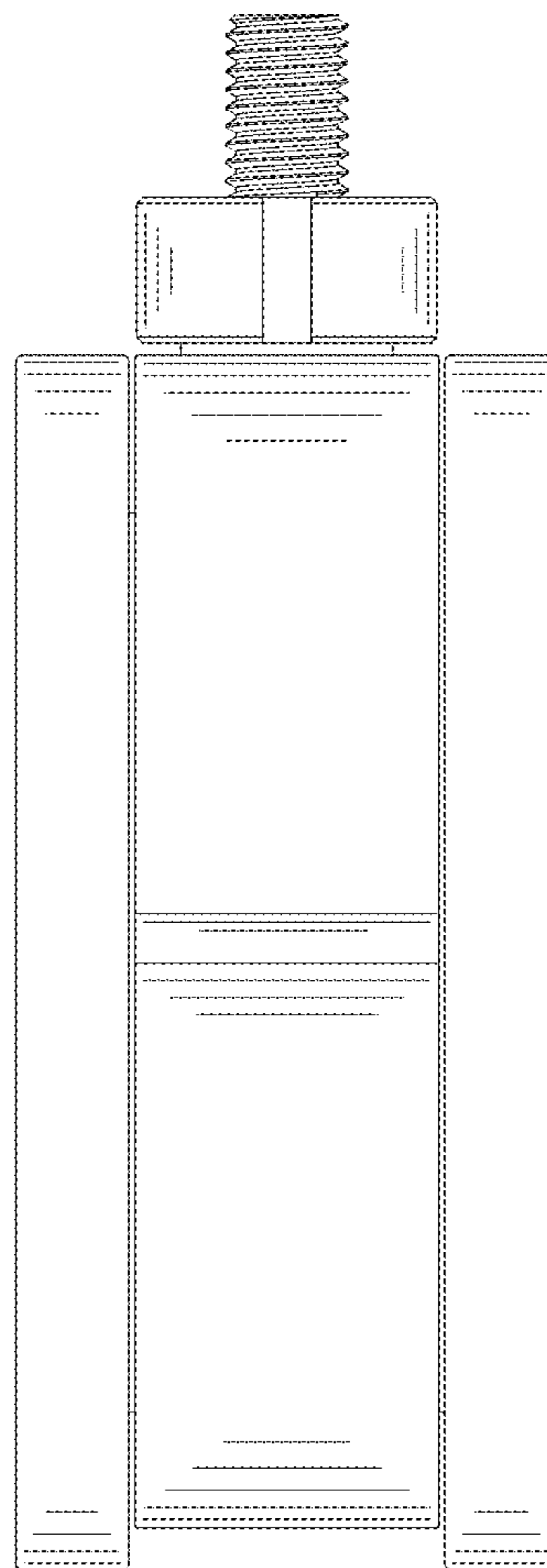


Fig.18

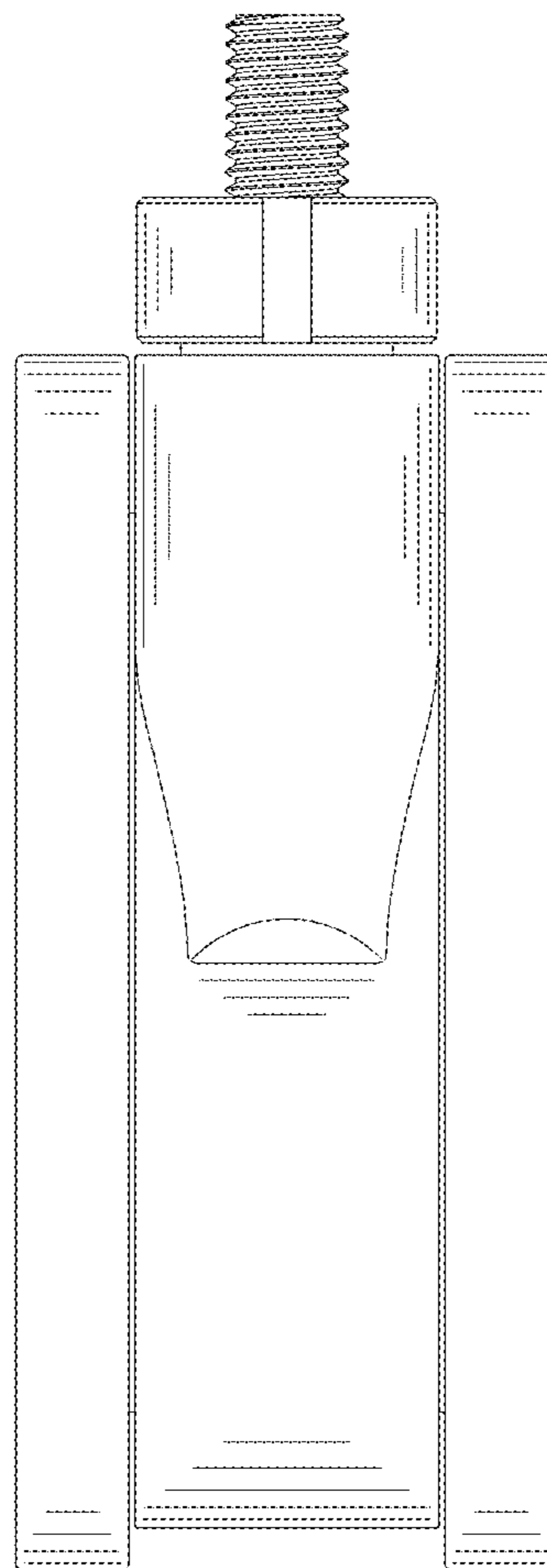




Fig.19

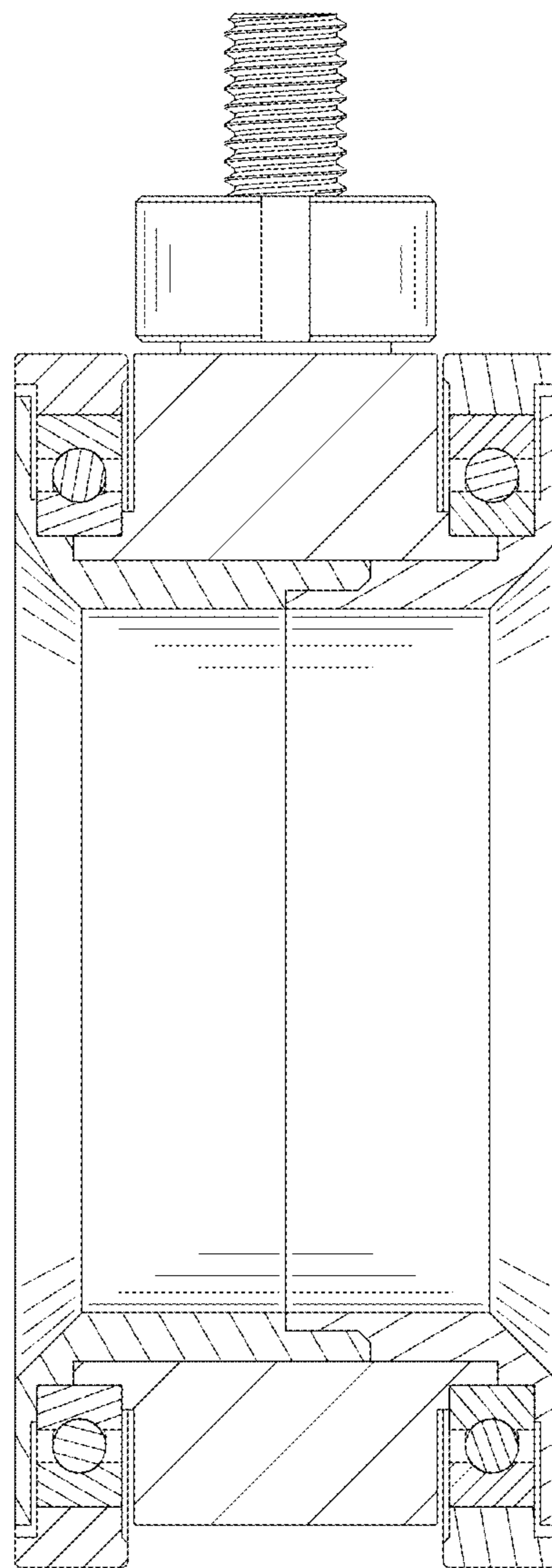


Fig. 20

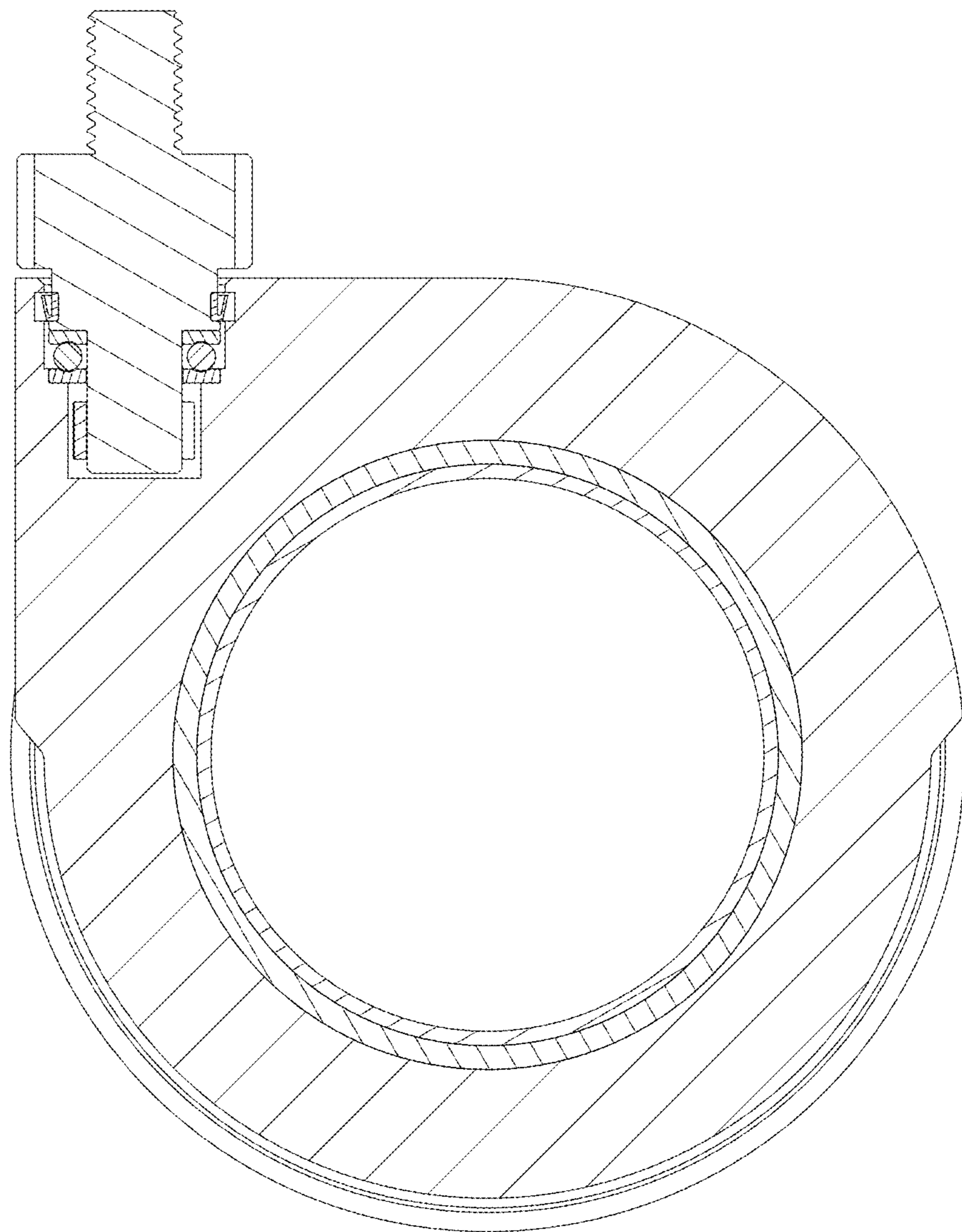


Fig. 21

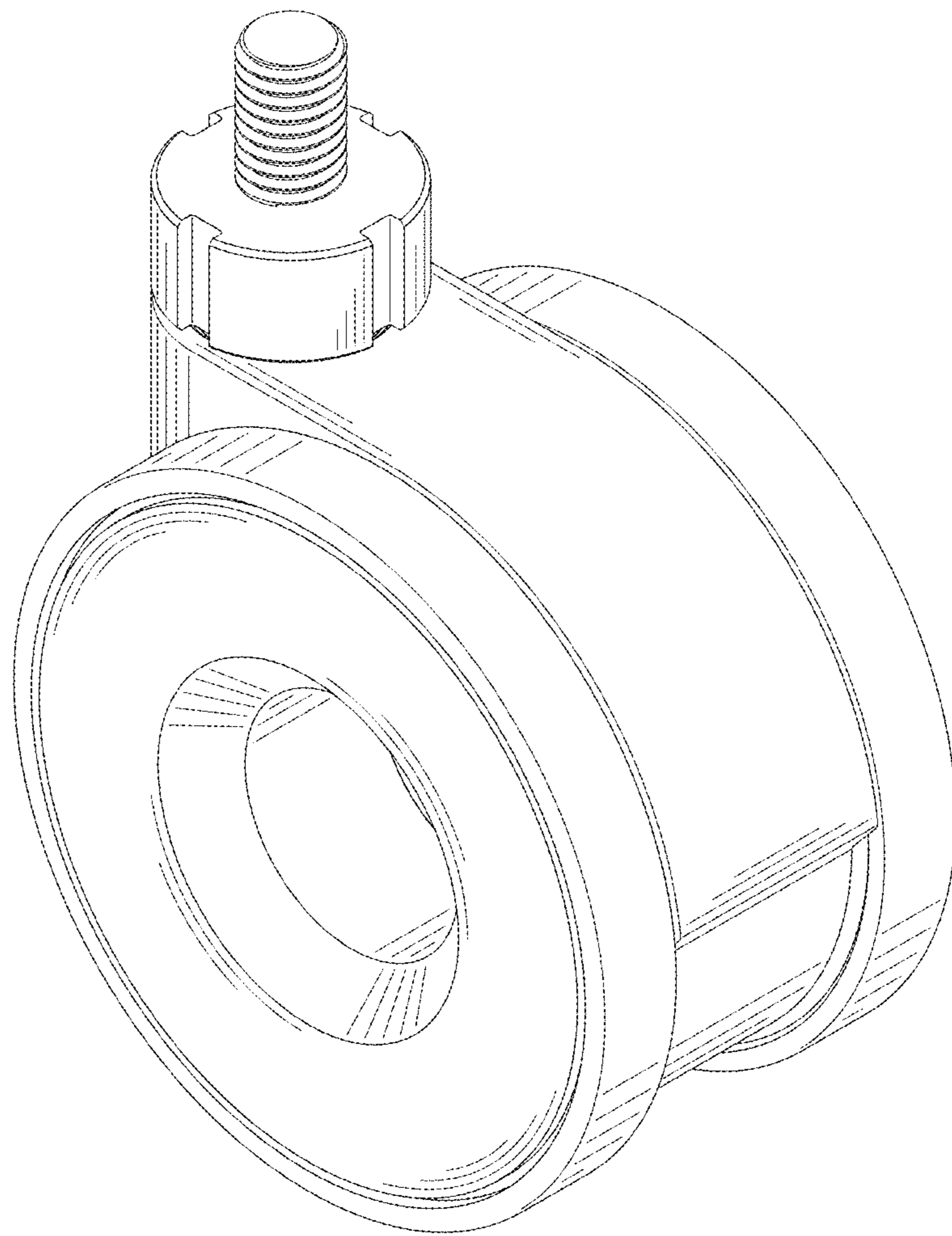


Fig. 22

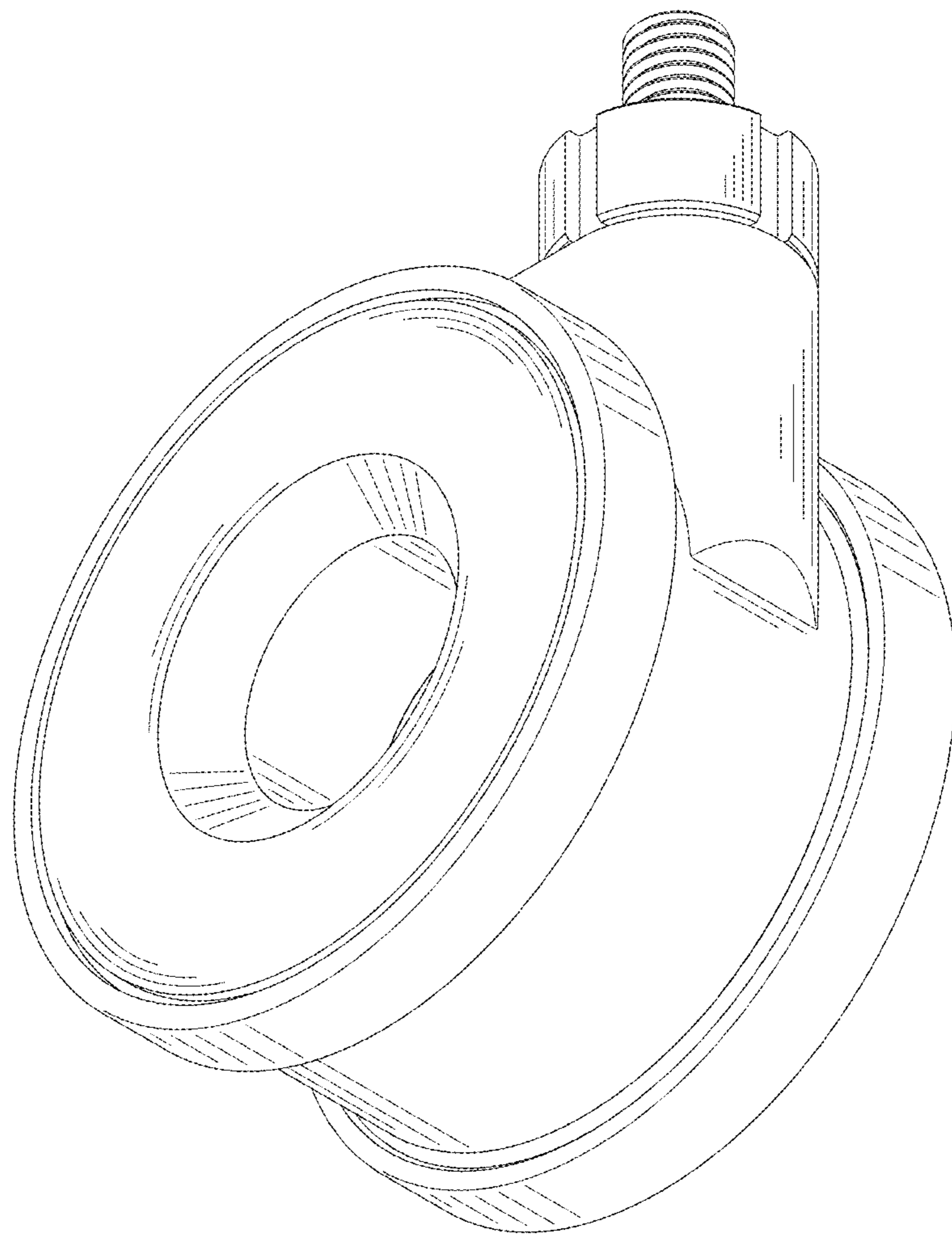


Fig. 23

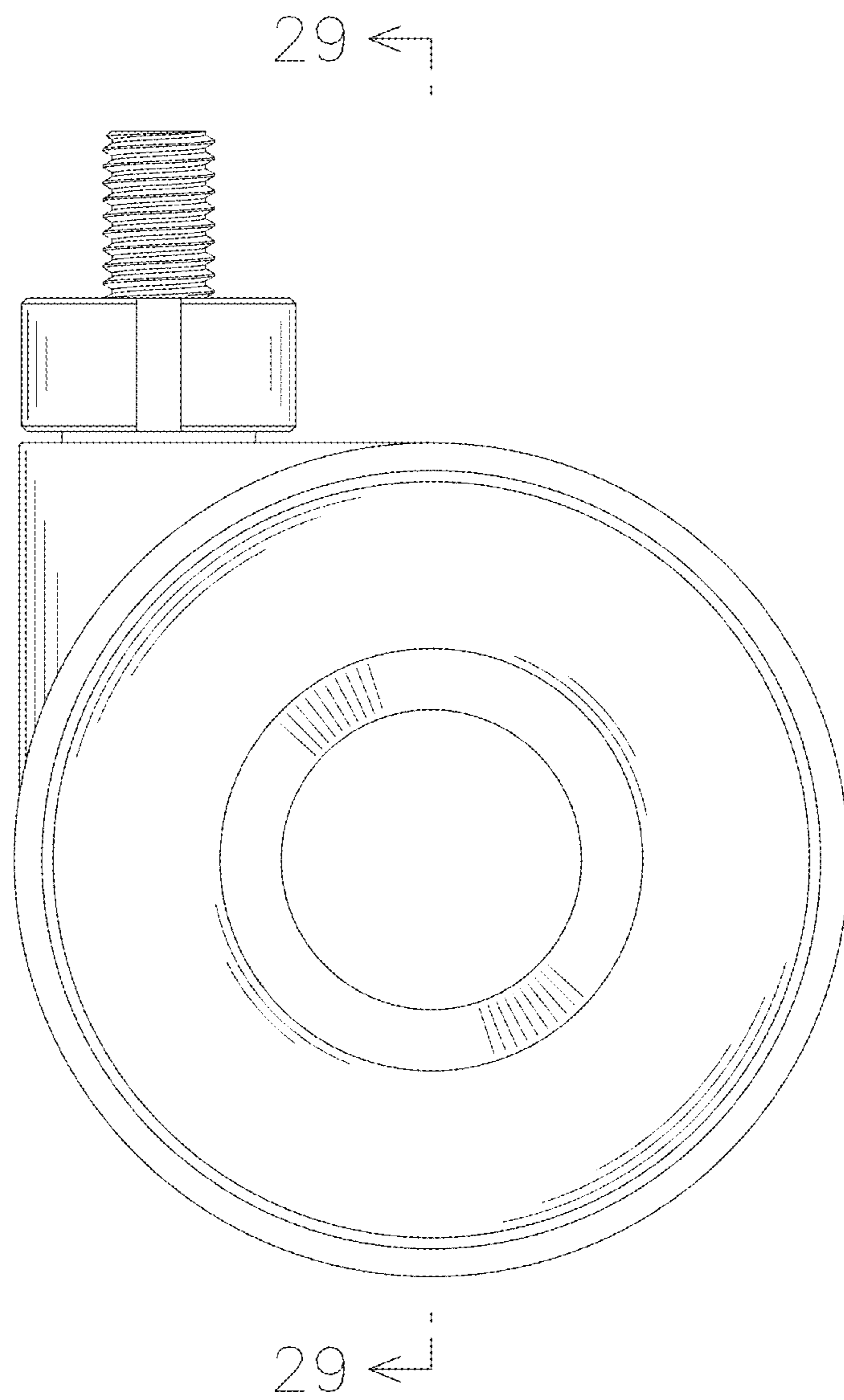


Fig. 24

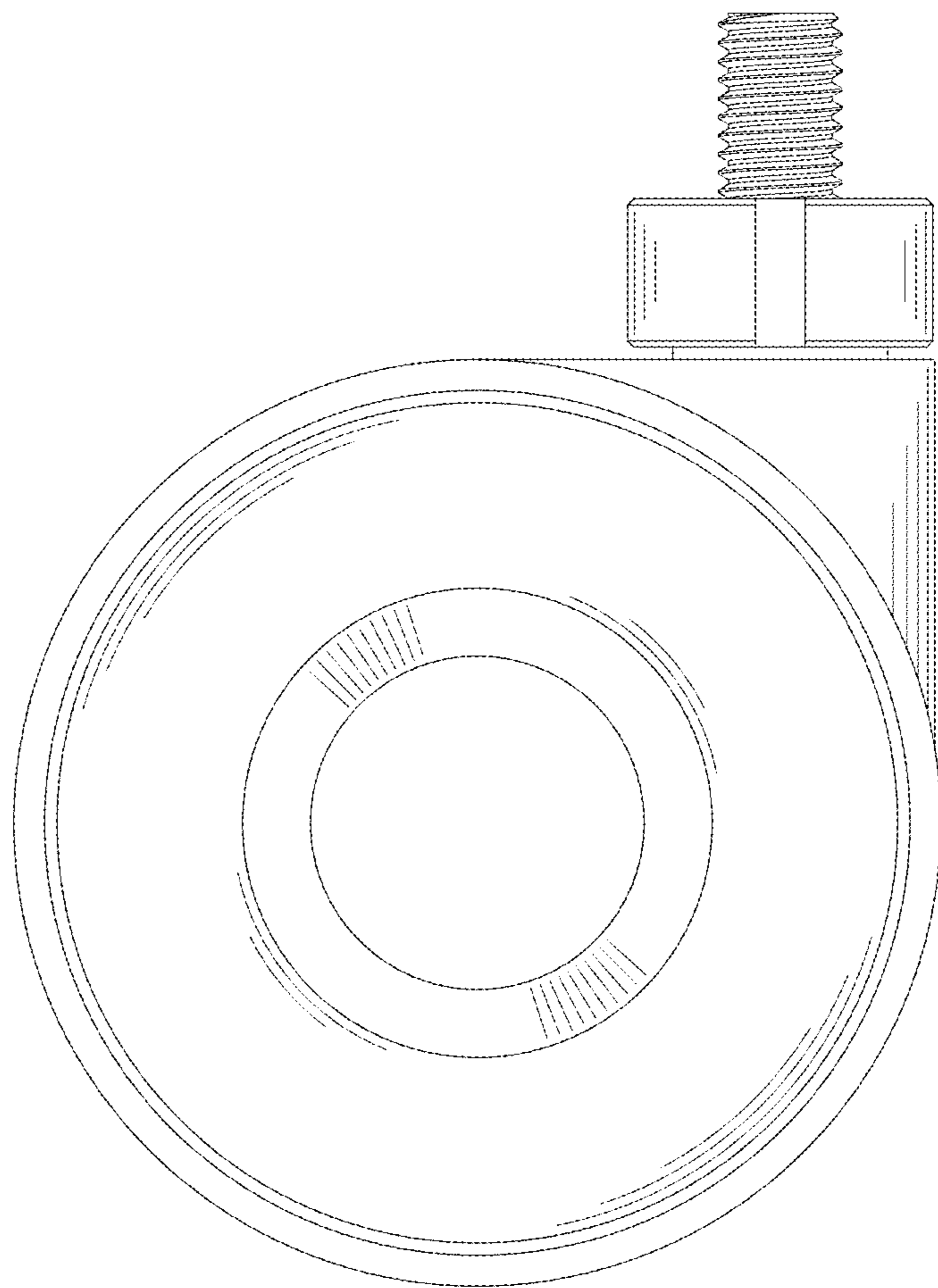




Fig. 25

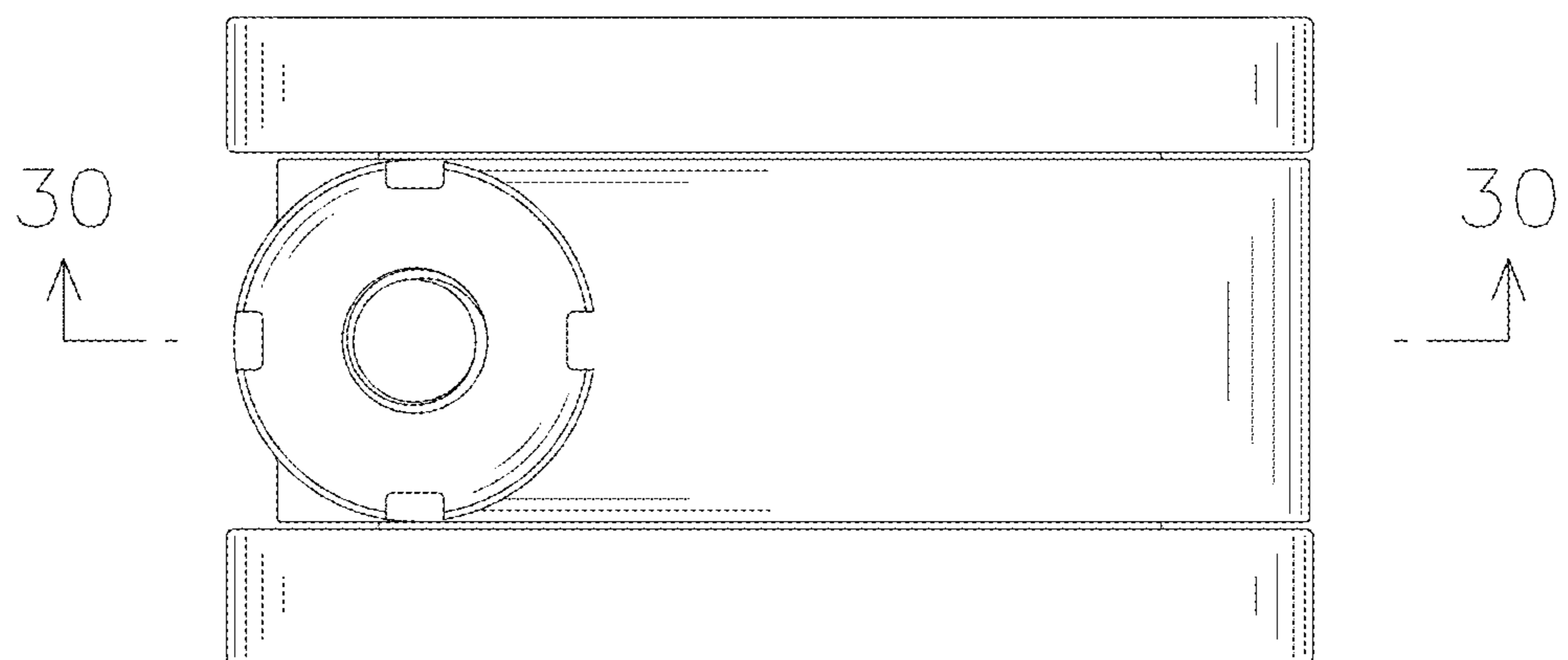


Fig. 26

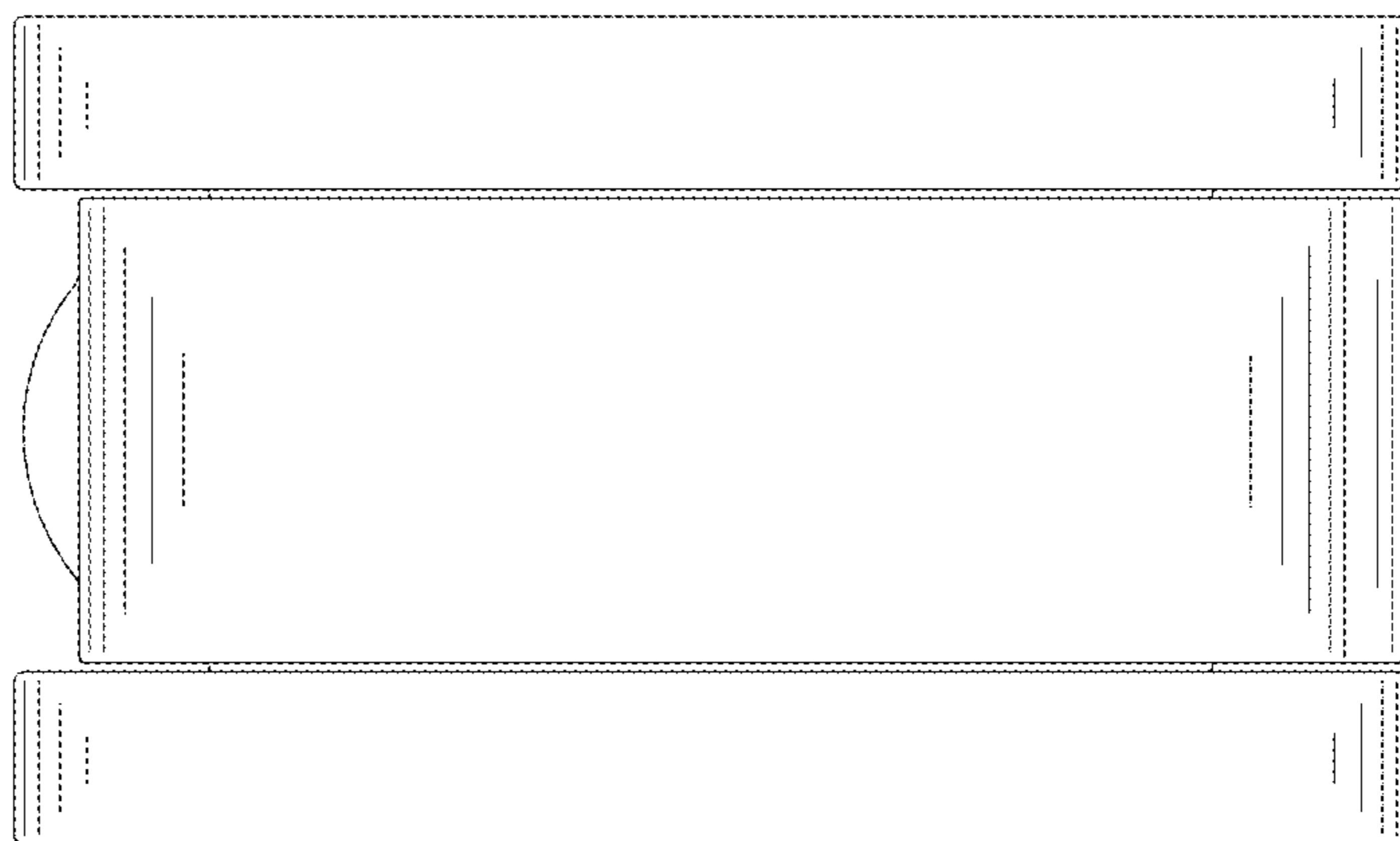


Fig. 27

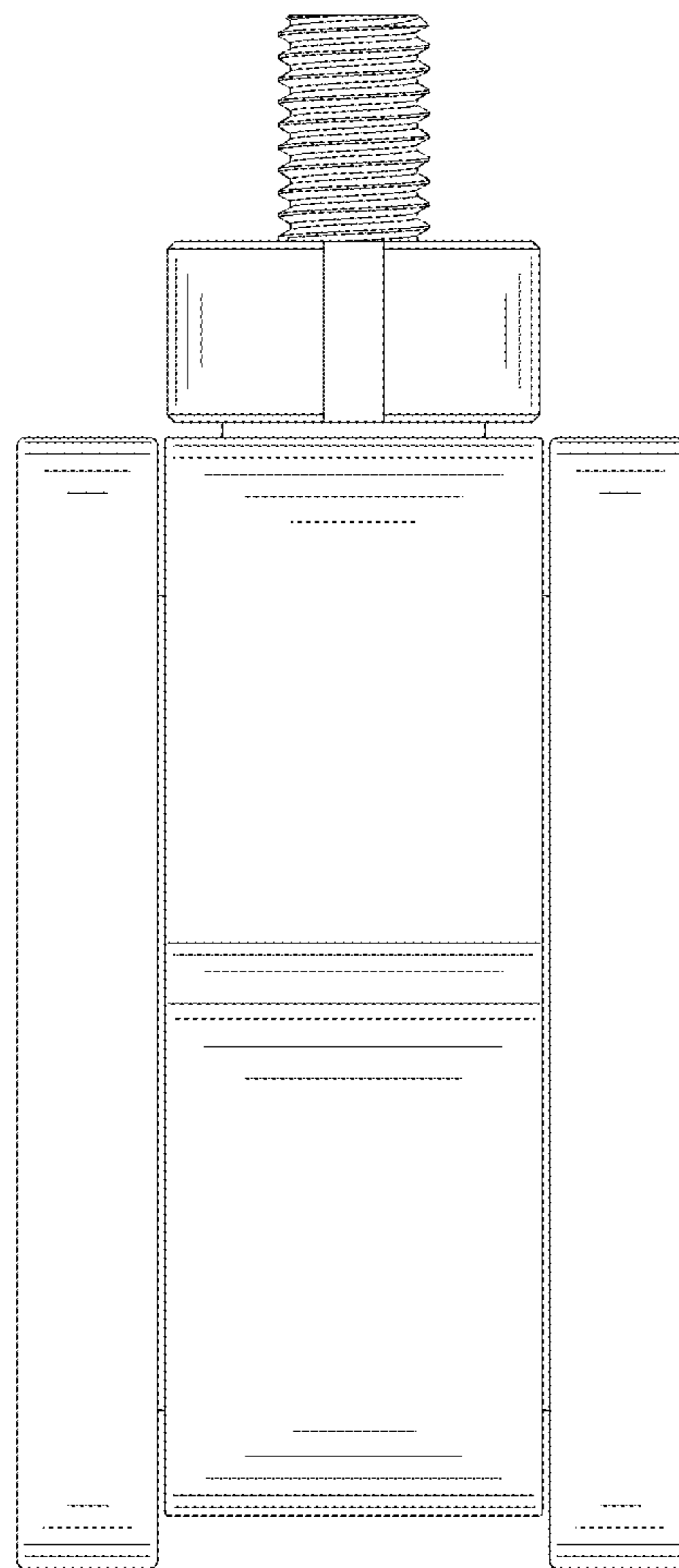


Fig. 28

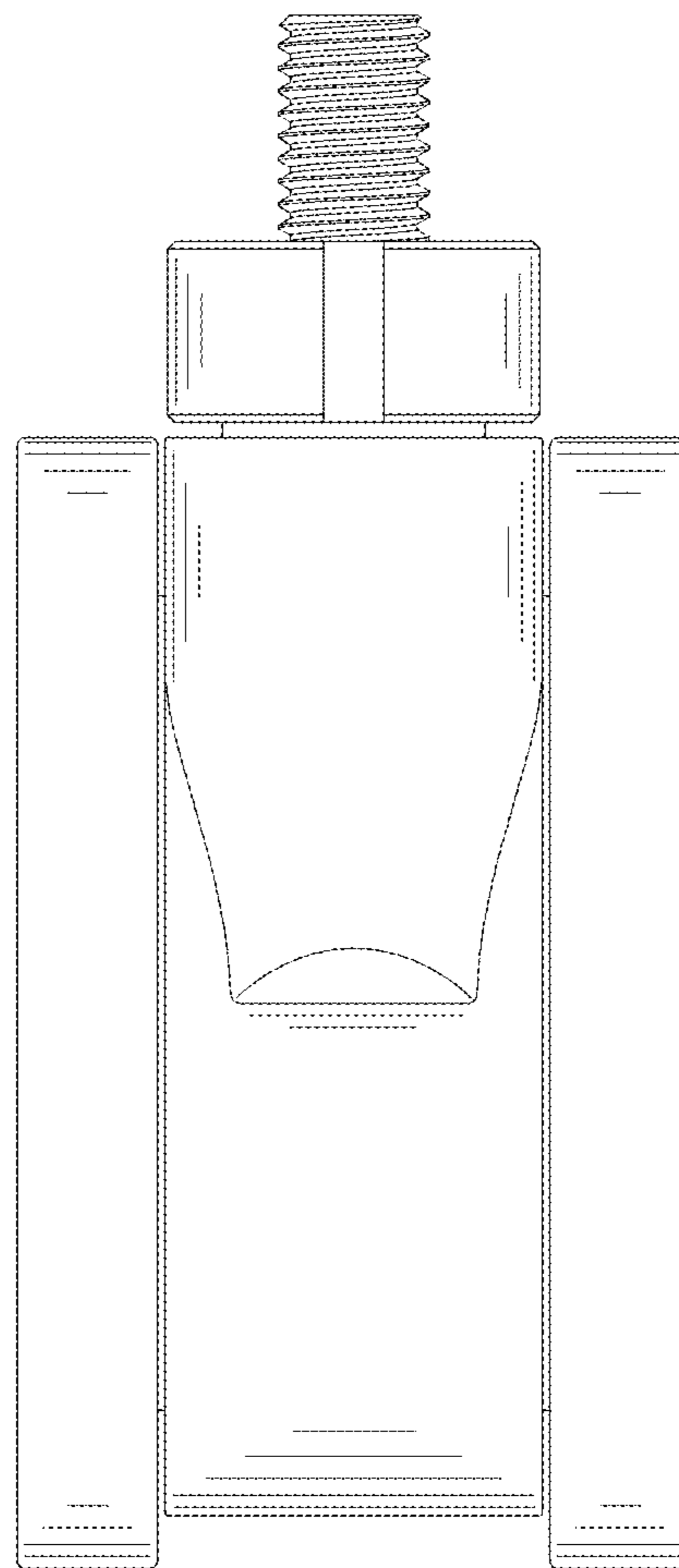


Fig. 29

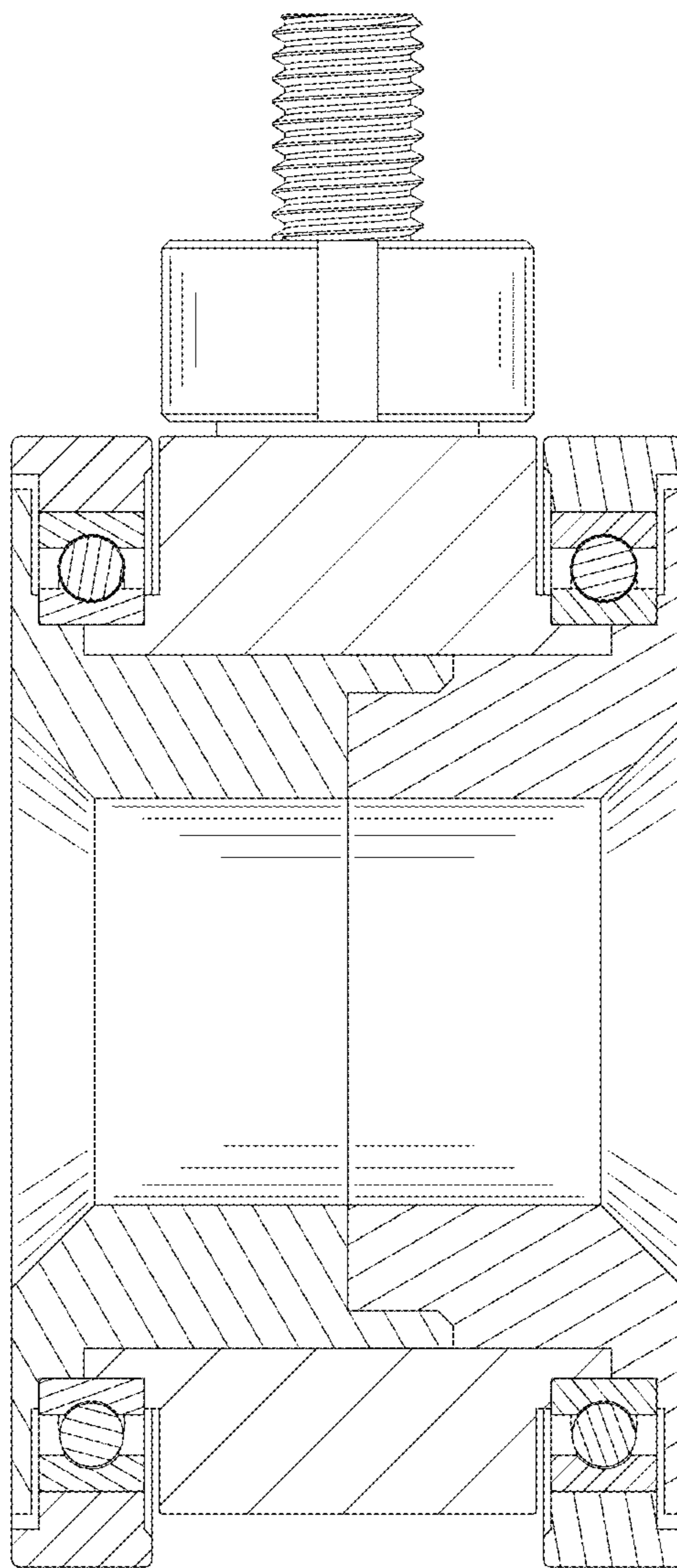


Fig. 30

