



US00D941664S

(12) **United States Design Patent**
Willing et al.

(10) **Patent No.:** **US D941,664 S**
(45) **Date of Patent:** **** Jan. 25, 2022**

(54) **HANGER**

(71) Applicants: **Amazing World Deals, Inc.**, Ashland,
OR (US); **Jonathan Willing**, Ashland,
OR (US)

(72) Inventors: **Jonathan Willing**, Ashland, OR (US);
Howard Allen Wilson, IV, Medford,
OR (US)

(**) Term: **15 Years**

(21) Appl. No.: **29/701,026**

(22) Filed: **Aug. 7, 2019**

(51) **LOC (13) Cl.** **08-05**

(52) **U.S. Cl.**
USPC **D8/373**

(58) **Field of Classification Search**
USPC D8/373, 354, 71, 401, 402; D11/208,
D11/220, 222, 228; D6/315, 323, 328,
D6/320

CPC . A47F 5/00; A47G 1/1633; A47G 1/20; F16L
3/1025; F16L 3/1083; F16L 3/1091; F16L
3/11; F16M 13/022; F16M 13/027; G09F
7/18; Y10T 29/49826

See application file for complete search history.

(56) **References Cited**

U.S. PATENT DOCUMENTS

D248,367 S *	7/1978	Haft	D8/356
D268,553 S *	4/1983	Beier	D3/207
D282,885 S *	3/1986	Jarrett	D6/323
D300,089 S *	3/1989	Edwards	D6/323
4,944,480 A *	7/1990	Jarrett	A47G 25/0607 248/304
D332,390 S *	1/1993	Adams	D8/373
D348,386 S *	7/1994	Cogburn	D8/367

D361,671 S *	8/1995	Sharpe	D6/323
D386,215 S *	11/1997	White	D20/43
D389,326 S *	1/1998	Moore	D6/323
D390,709 S *	2/1998	Moore	D6/323
D416,187 S *	11/1999	Schaeffer	D8/373
D466,398 S *	12/2002	DeLine	D8/373
D484,778 S *	1/2004	French	D8/373
D534,061 S *	12/2006	Sakai	D8/373
D645,730 S *	9/2011	Berkowitz	D8/367
D682,664 S *	5/2013	Gilboe	D8/367
D799,946 S *	10/2017	Sotto	D8/373
D799,947 S *	10/2017	Sotto	D8/373
D840,792 S *	2/2019	Sugasawara	D8/367
D840,793 S *	2/2019	Hattori	D8/367
D865,498 S *	11/2019	Krake	D8/367
D865,499 S *	11/2019	Krake	D8/367
D865,500 S *	11/2019	Krake	D8/367

* cited by examiner

Primary Examiner — Brett Miller

Assistant Examiner — Elizabeth S Ko

(74) *Attorney, Agent, or Firm* — Salpi Dunlap

(57) **CLAIM**

We claim the ornamental design for a hanger, as shown and described.

DESCRIPTION

FIG. 1 is an elevation right view of a hanger, showing our new design.

FIG. 2 is a front plan view thereof;

FIG. 3 is an elevation left view thereof;

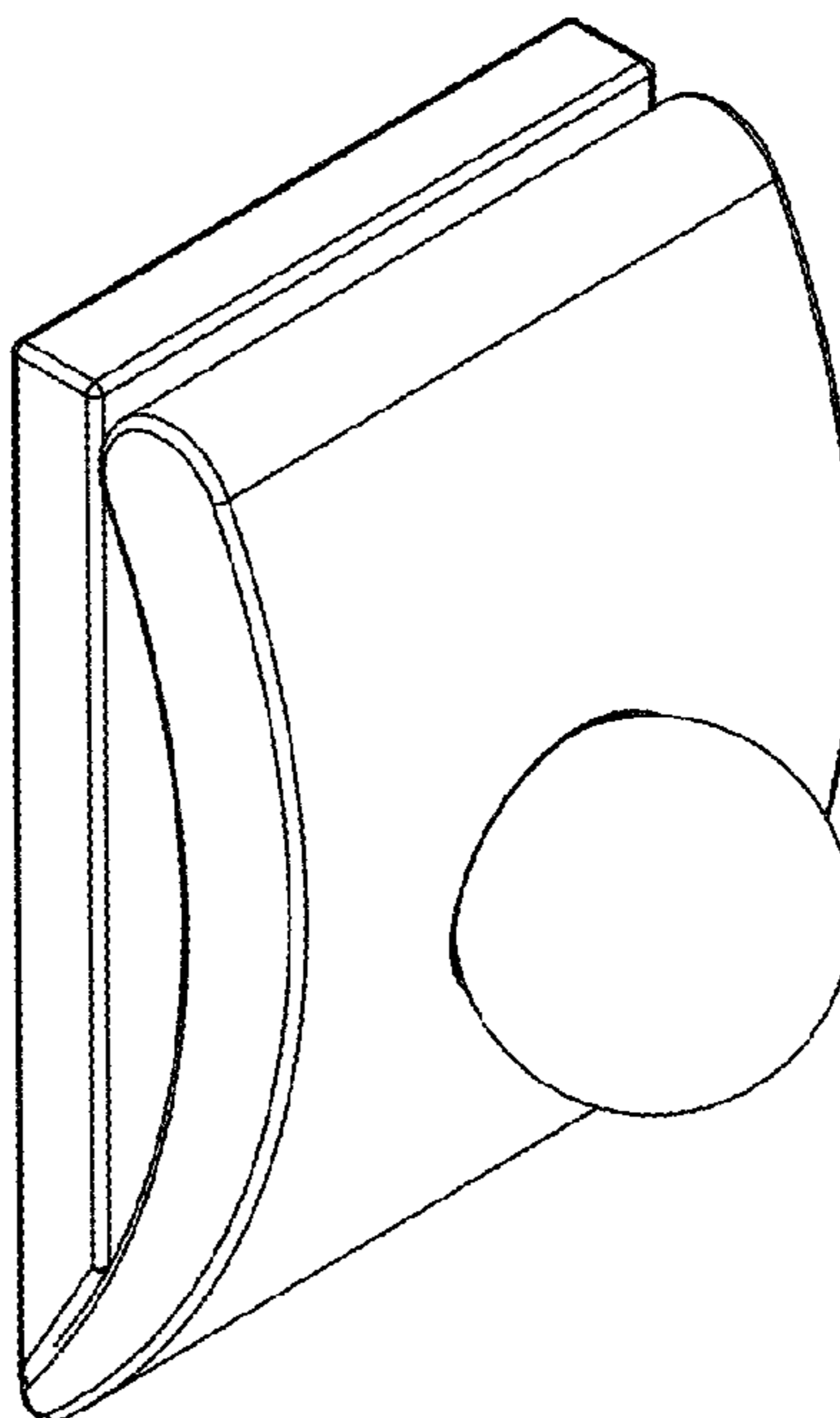
FIG. 4 is a rear plan view thereof;

FIG. 5 is a top perspective view thereof; and,

FIG. 6 is a bottom perspective view thereof.

The broken lines depict portions of the hanger that form no part of the claimed design.

1 Claim, 6 Drawing Sheets



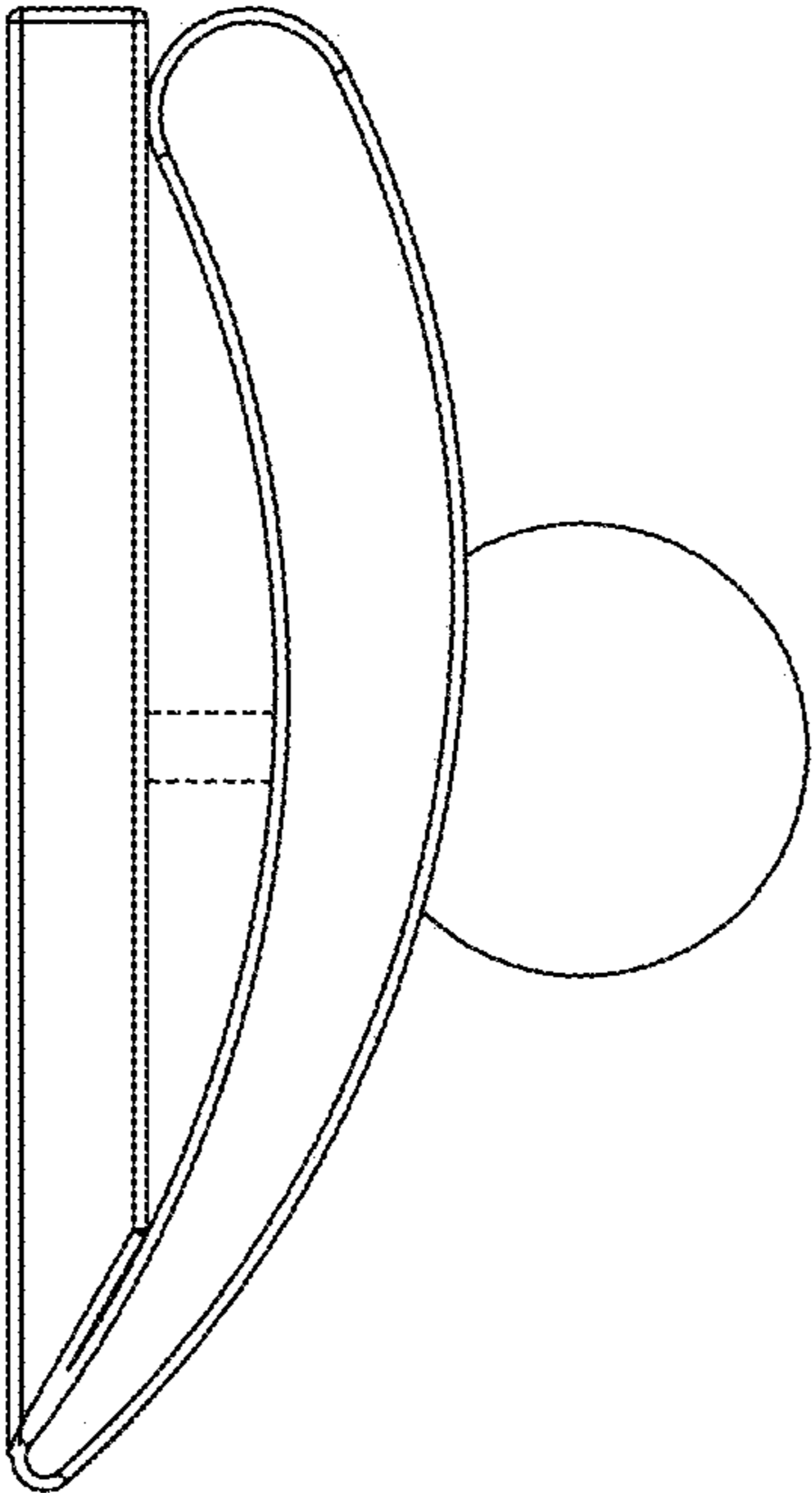


Figure 1

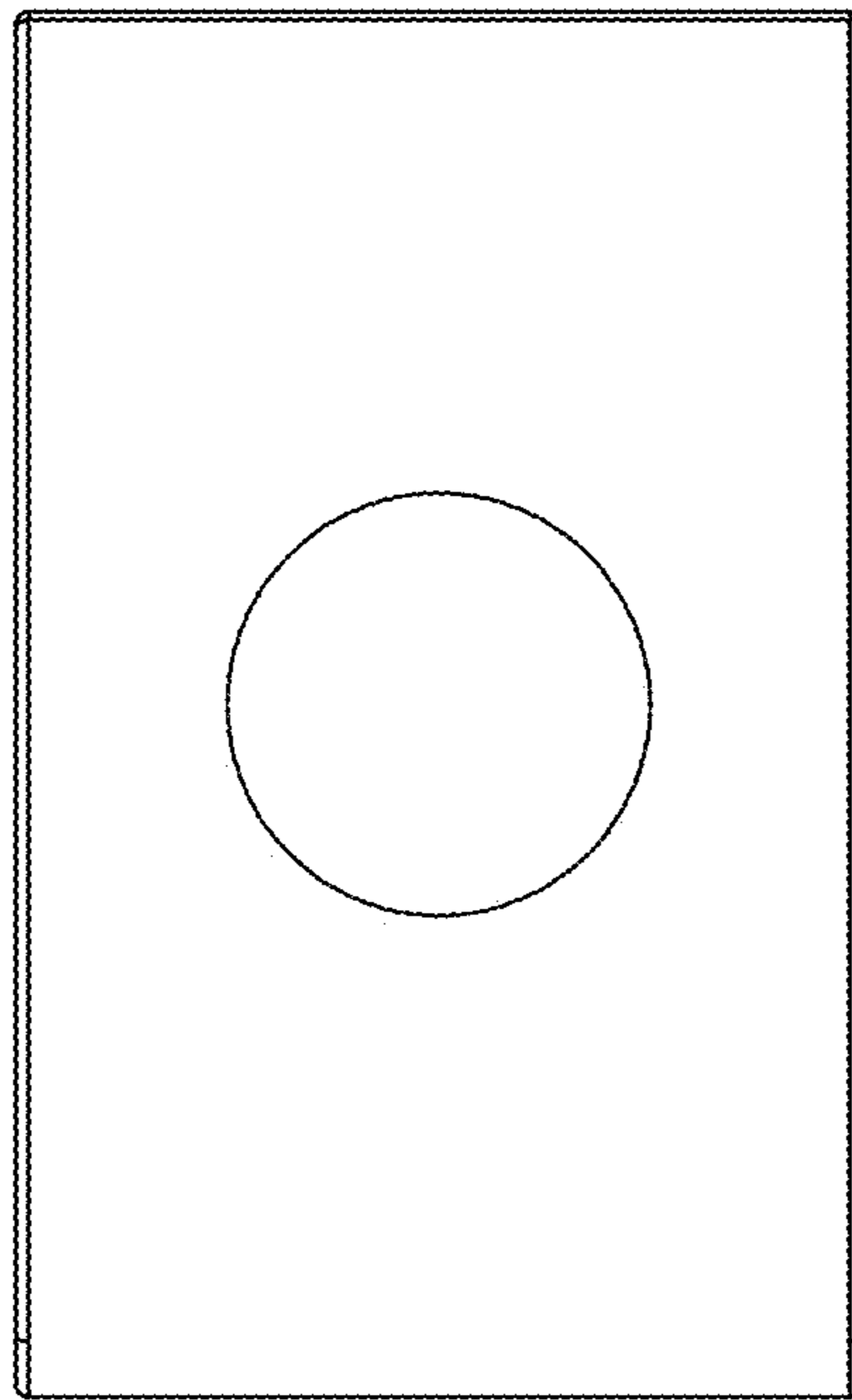


Figure 2

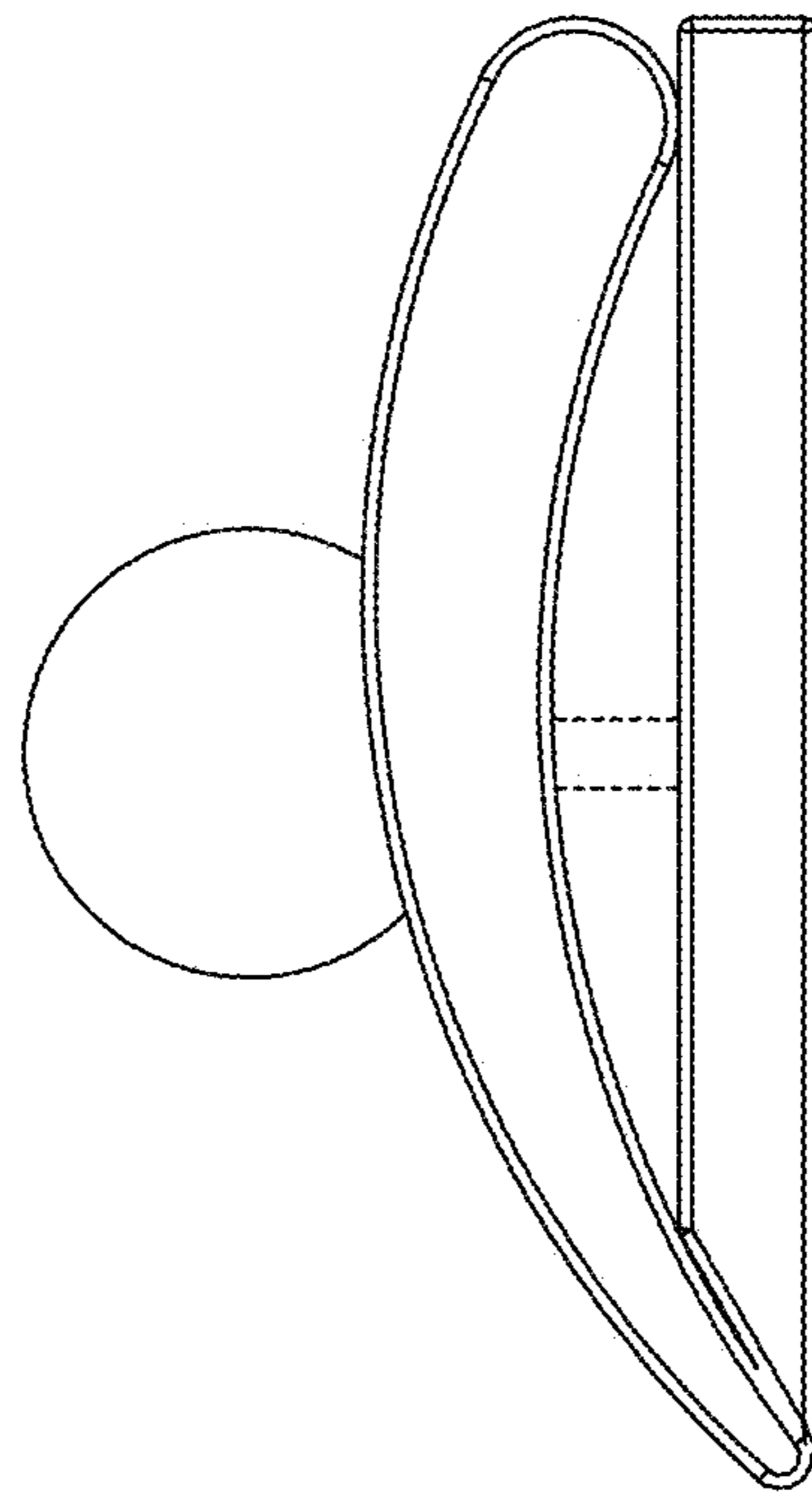


Figure 3

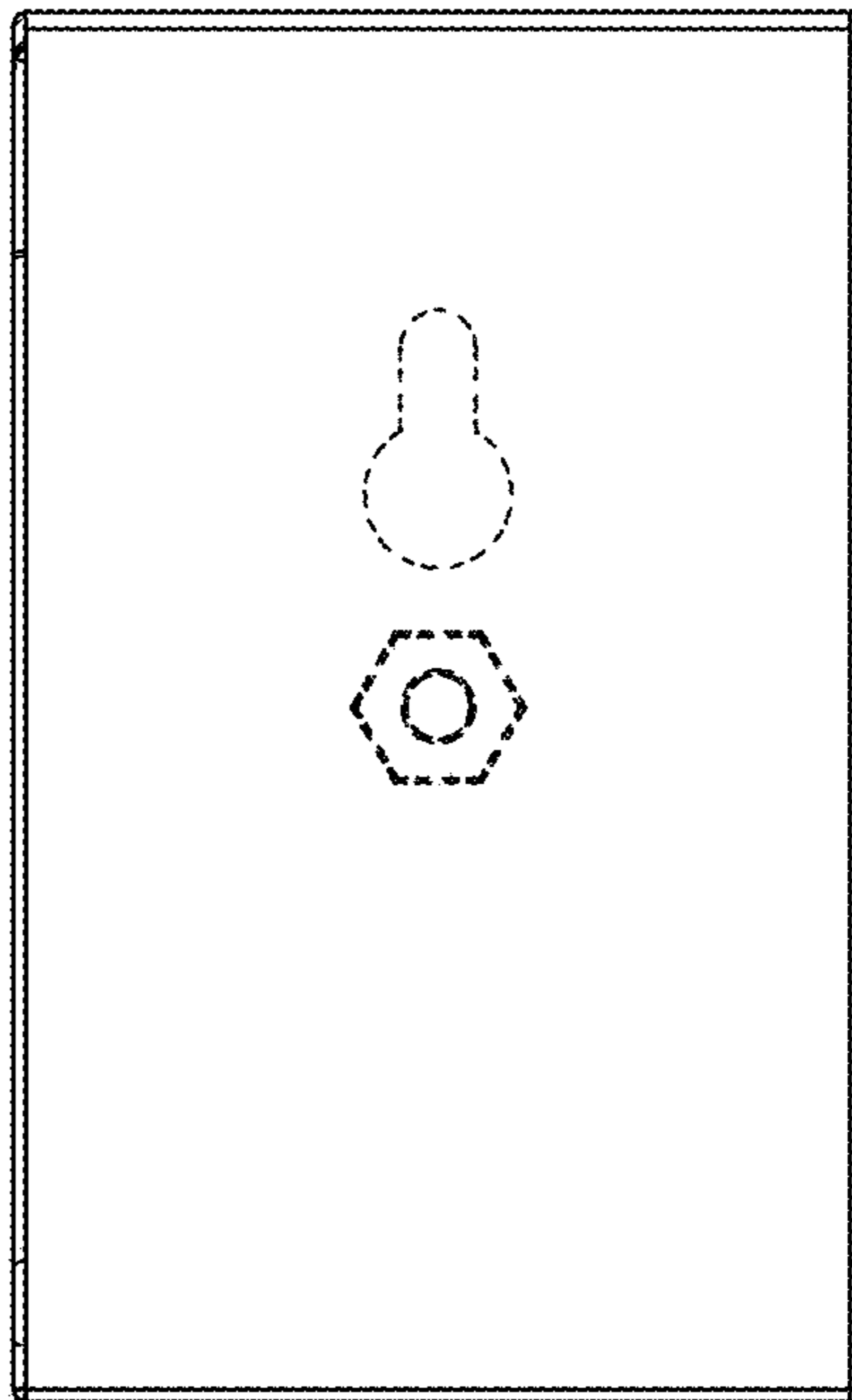


Figure 4

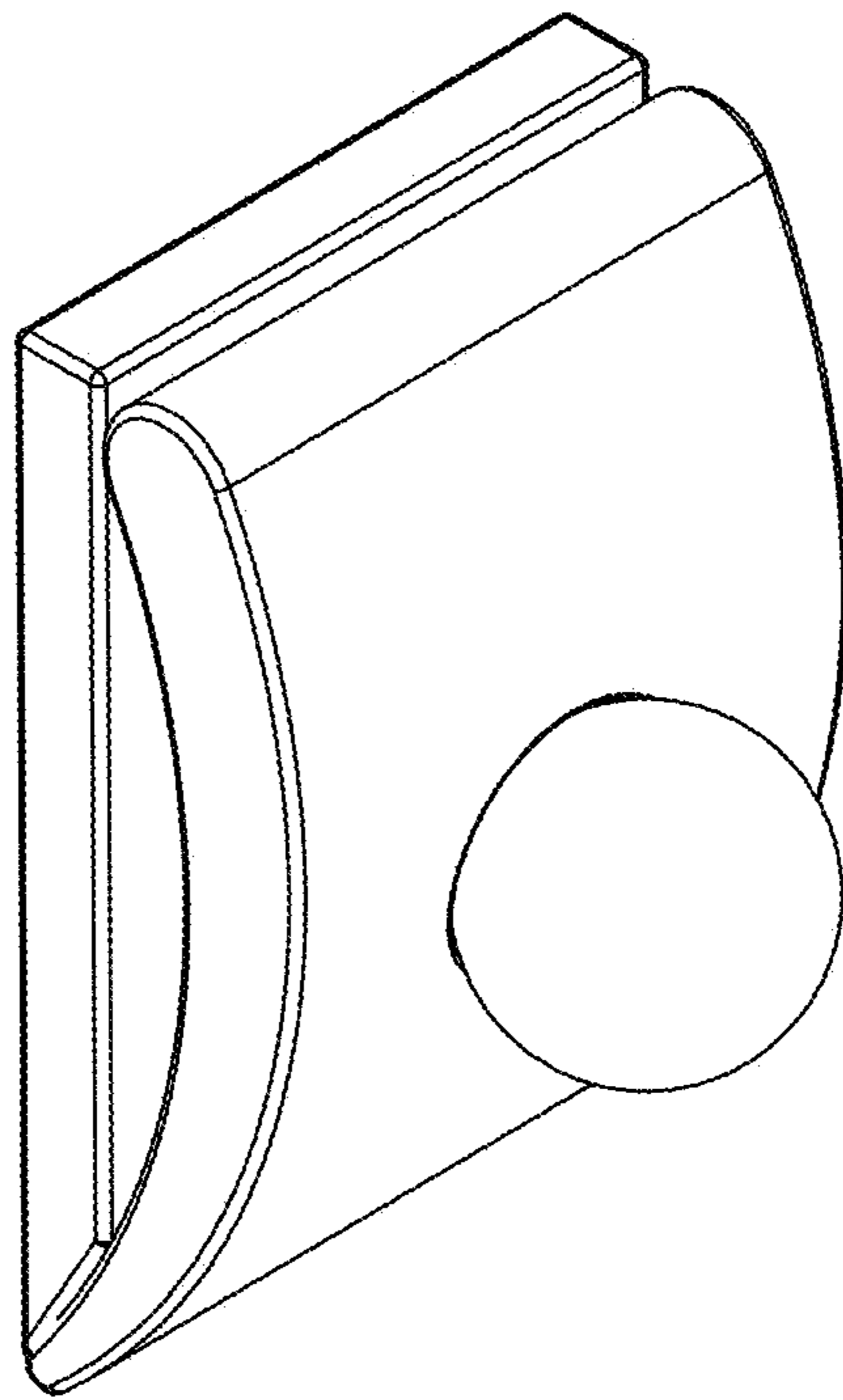


Figure 5

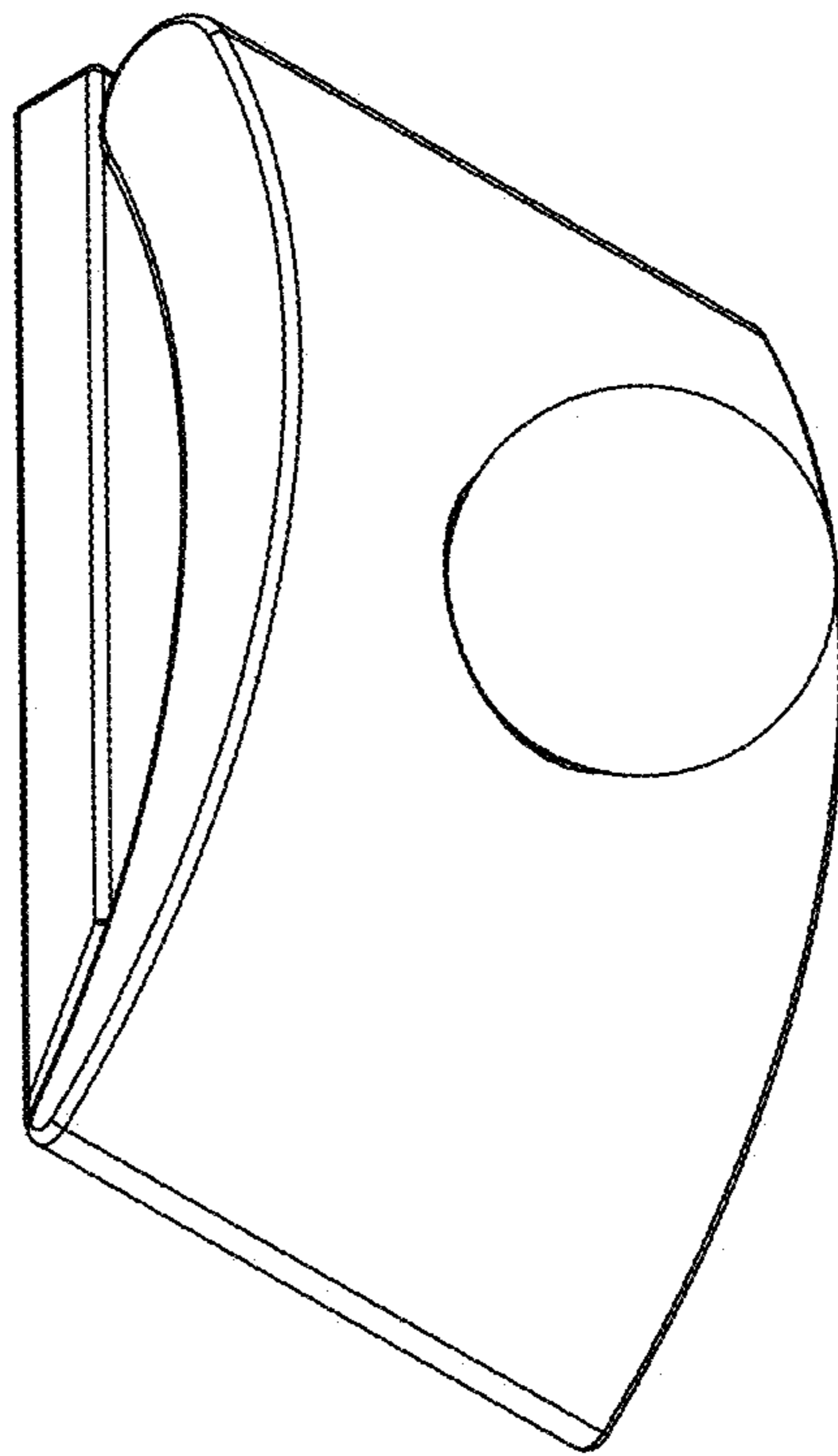


Figure 6