

US00D941663S

(12) **United States Design Patent**
Lazarini et al.

(10) **Patent No.:** **US D941,663 S**
(45) **Date of Patent:** **** Jan. 25, 2022**

- (54) **ROBE HOOK**
- (71) Applicant: **DELTA FAUCET COMPANY**,
Indianapolis, IN (US)
- (72) Inventors: **Alejandra Lazarini**, Carmel, IN (US);
Anthony G. Spangler, Indianapolis, IN (US)
- (73) Assignee: **DELTA FAUCET COMPANY**,
Indianapolis, IN (US)
- (**) Term: **15 Years**
- (21) Appl. No.: **29/712,968**
- (22) Filed: **Nov. 13, 2019**
- (51) **LOC (13) Cl.** **08-05**
- (52) **U.S. Cl.**
USPC **D8/367**
- (58) **Field of Classification Search**
USPC D8/367, 354, 349, 373; D6/323;
248/301-304, 339
CPC A47G 1/00; A47G 25/00
See application file for complete search history.

(56) **References Cited**

U.S. PATENT DOCUMENTS

- 2,679,998 A * 6/1954 Keller F16B 47/003
248/205.3
- 2,765,998 A * 10/1956 Engert A47G 1/17
248/467
- D212,553 S * 10/1968 Ye D8/367
- 3,637,181 A * 1/1972 Janssen A47G 1/17
248/205.3
- 4,003,538 A * 1/1977 Frye B32B 27/304
248/544
- 4,756,498 A * 7/1988 Frye A47G 1/17
248/205.3
- 5,121,896 A * 6/1992 Frye F16B 47/003
248/205.3
- D327,641 S * 7/1992 Hoskinson D8/367

- D356,941 S * 4/1995 Reddick D8/367
- D374,602 S * 10/1996 Protz, Jr. D8/367
- D658,029 S * 4/2012 Fulkerson D8/307
- D670,997 S * 11/2012 Thompson D8/367
- D761,093 S * 7/2016 Liu D8/367
- D811,201 S * 2/2018 Berger D8/367
- D811,862 S * 3/2018 Berger D8/367
- D812,454 S * 3/2018 Berger D8/367
- D818,353 S * 5/2018 Sacks D8/367
- D821,184 S * 6/2018 Berger D8/367
- D842,083 S * 3/2019 Thompson D8/367
- D864,697 S * 10/2019 Gnocchini D8/367
- D867,771 S * 11/2019 Zhong D6/323
- D879,596 S * 3/2020 Li D8/367
- 10,842,304 B2 * 11/2020 Ye A47G 29/087
- D911,735 S * 3/2021 Spangler D6/523
- D911,736 S * 3/2021 Lazarini D6/523
- D918,698 S * 5/2021 Man D8/367
- D924,035 S * 7/2021 Lazarini D8/307

* cited by examiner

Primary Examiner — Cynthia R Underwood

(74) *Attorney, Agent, or Firm* — Nirav D. Parikh; Edgar A. Zarins

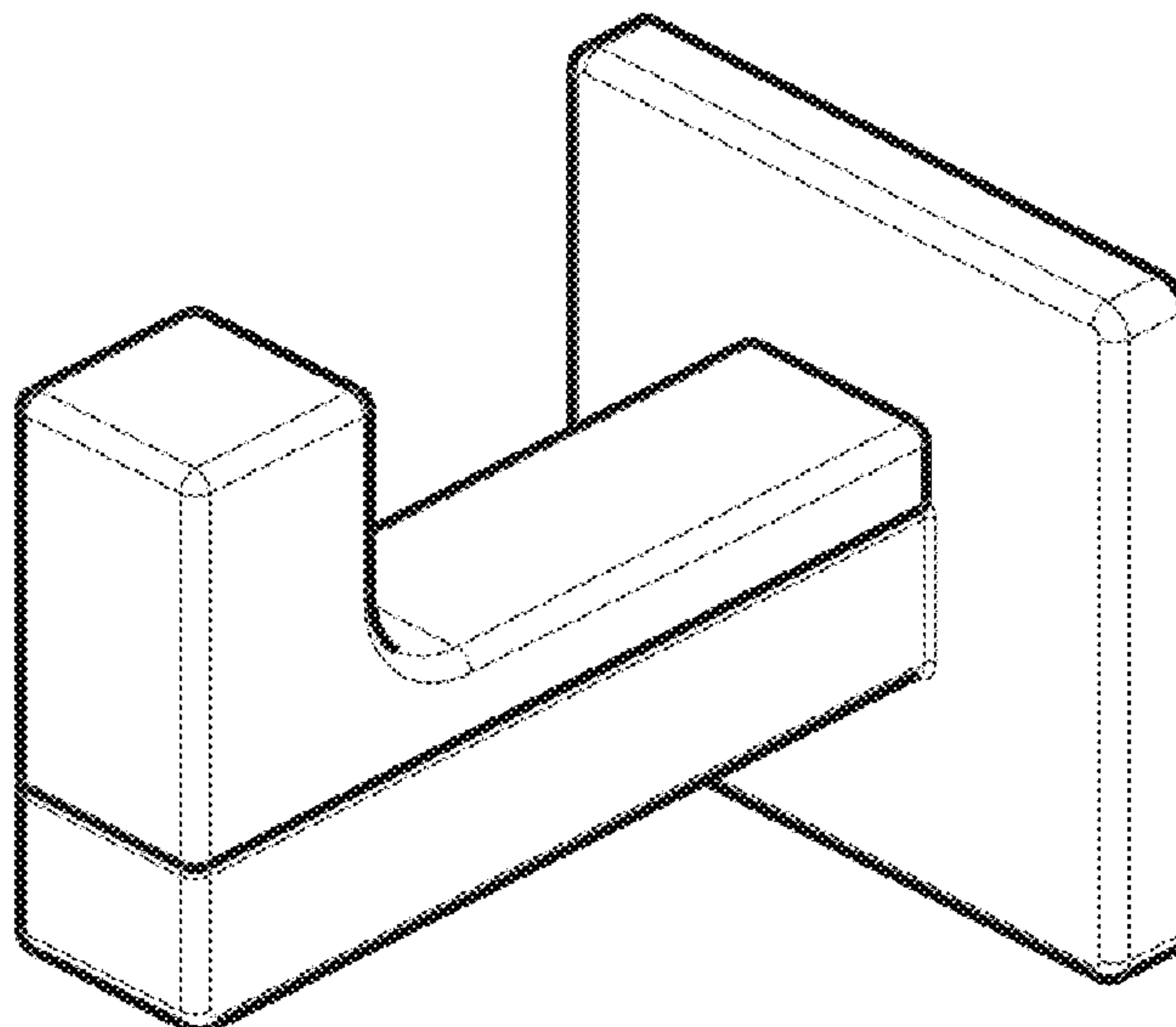
(57) **CLAIM**

The ornamental design for a robe hook, as shown and described.

DESCRIPTION

FIG. 1 is a front perspective view of a robe hook showing my new design;
 FIG. 2 is a rear perspective view thereof;
 FIG. 3 is a front elevational view thereof;
 FIG. 4 is a left side view thereof;
 FIG. 5 is a rear view thereof;
 FIG. 6 is a right side view thereof;
 FIG. 7 is a top plan view thereof; and,
 FIG. 8 is a bottom view thereof.

1 Claim, 4 Drawing Sheets



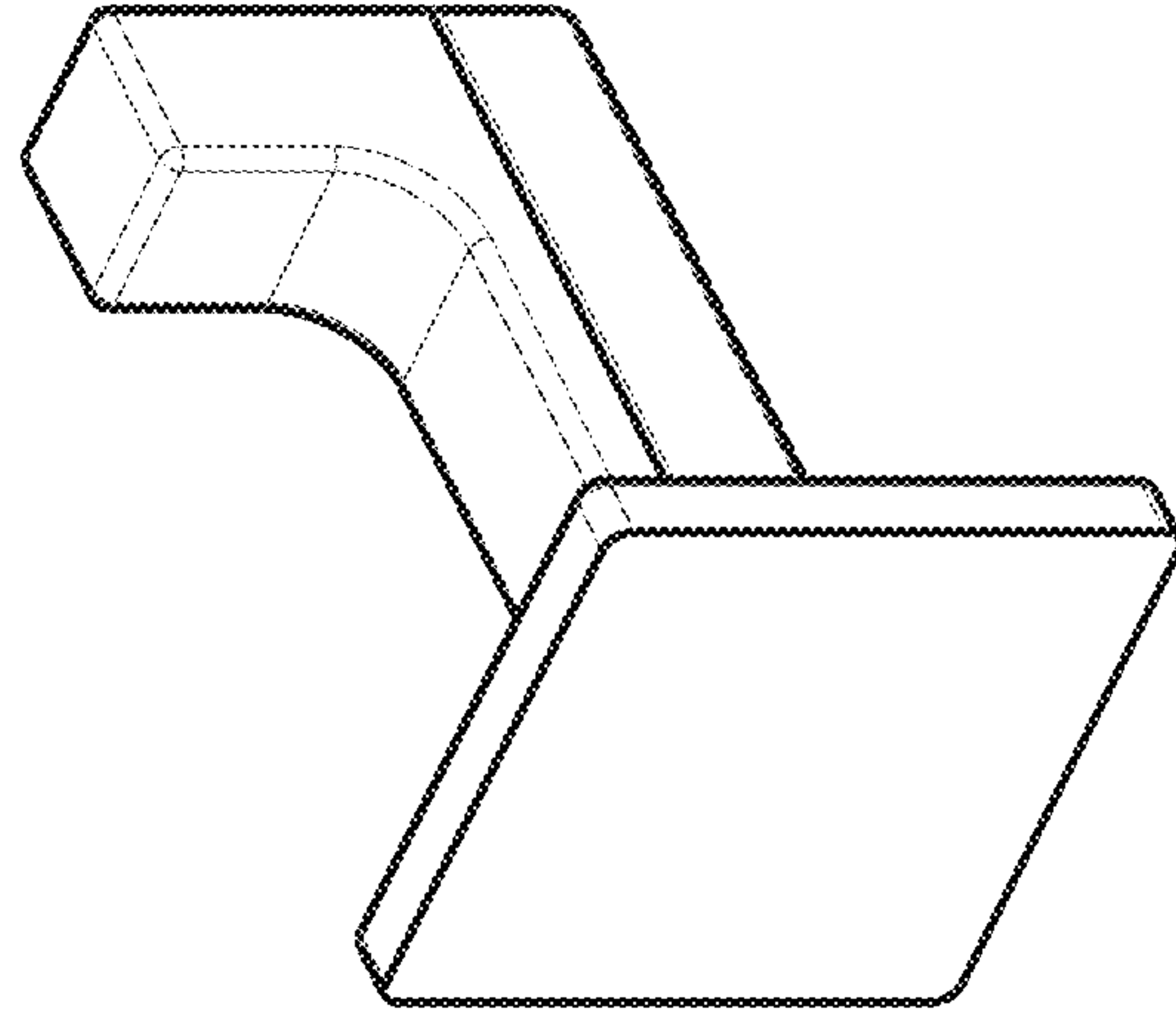


FIG-2

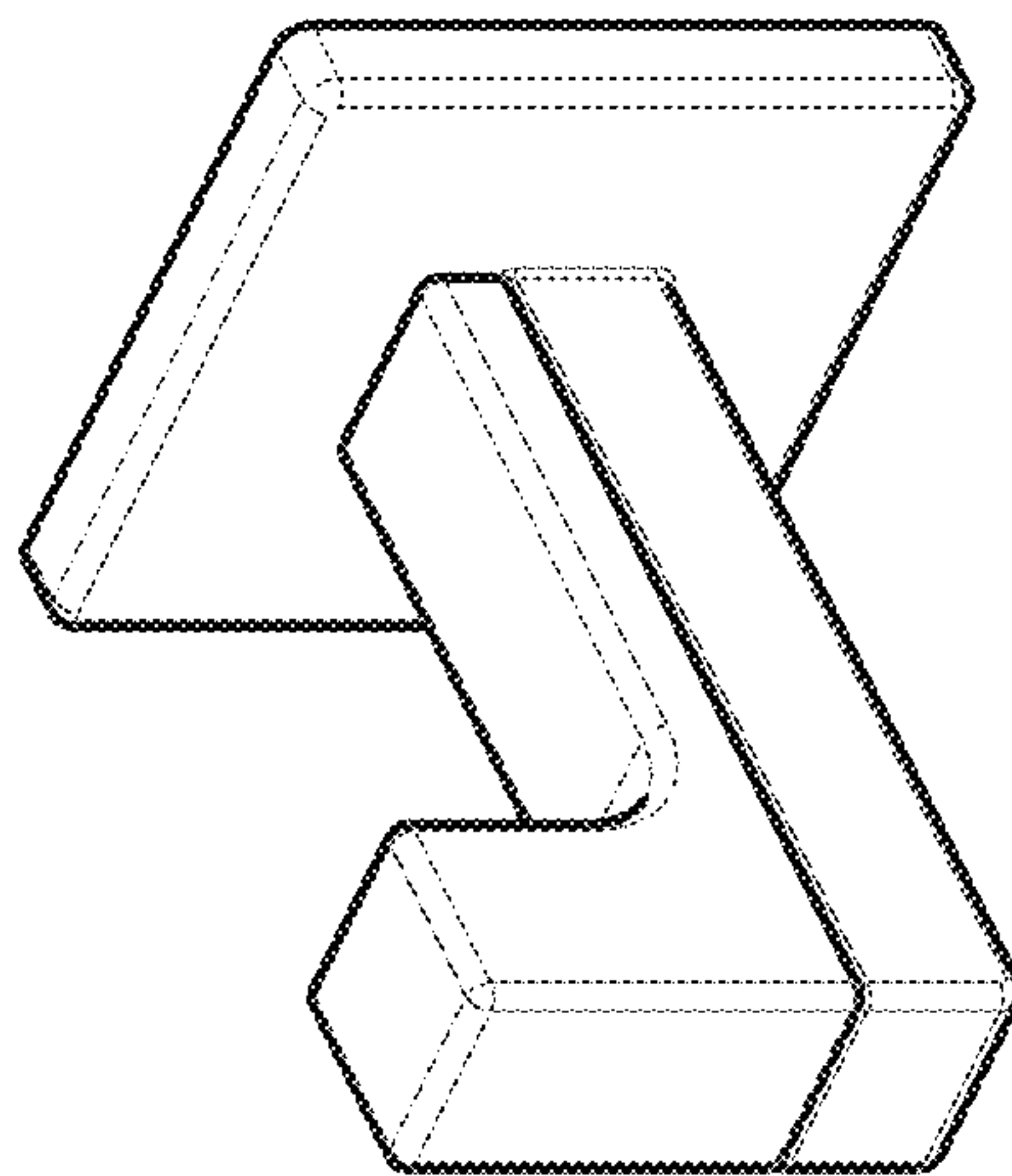


FIG-1

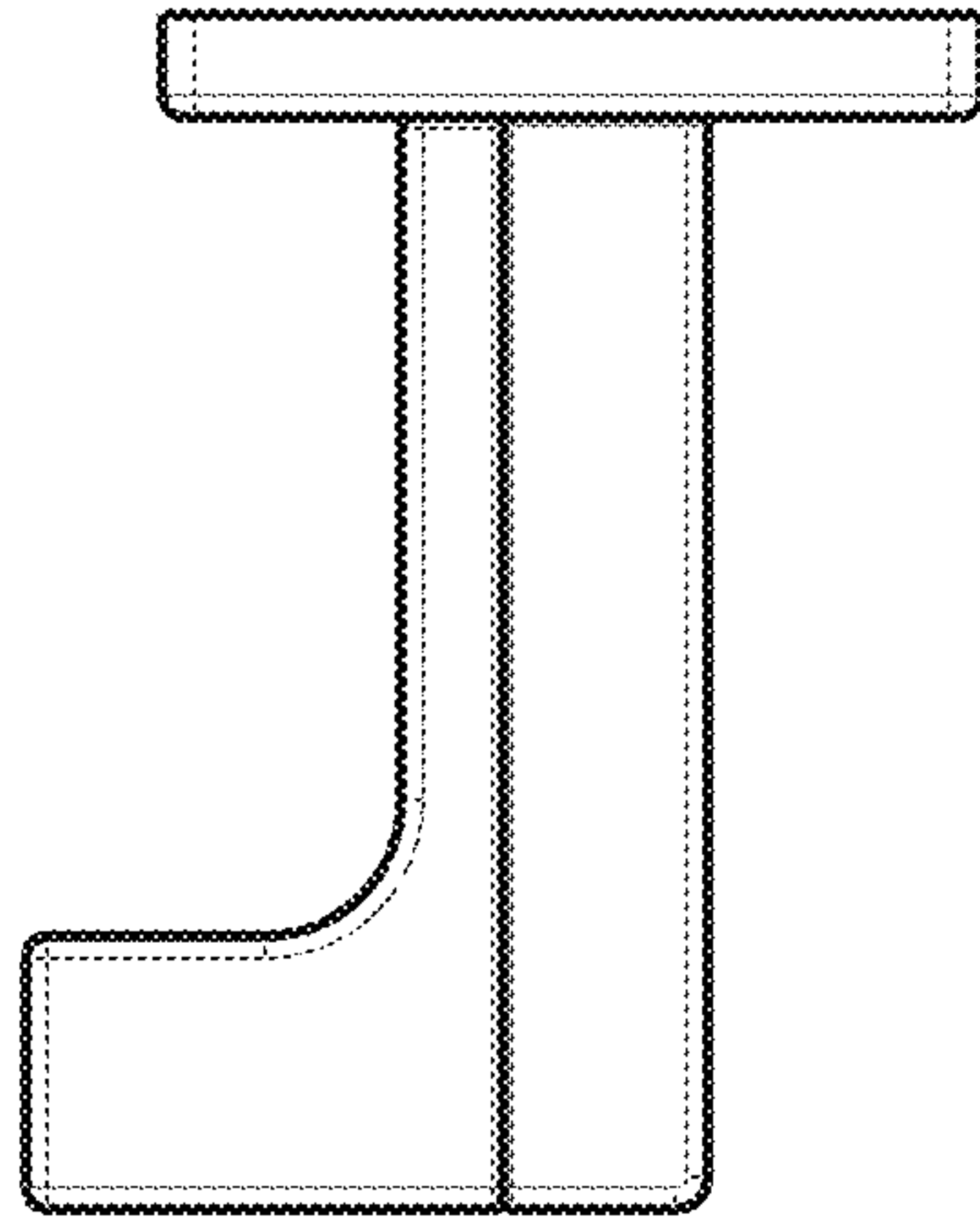


FIG-4

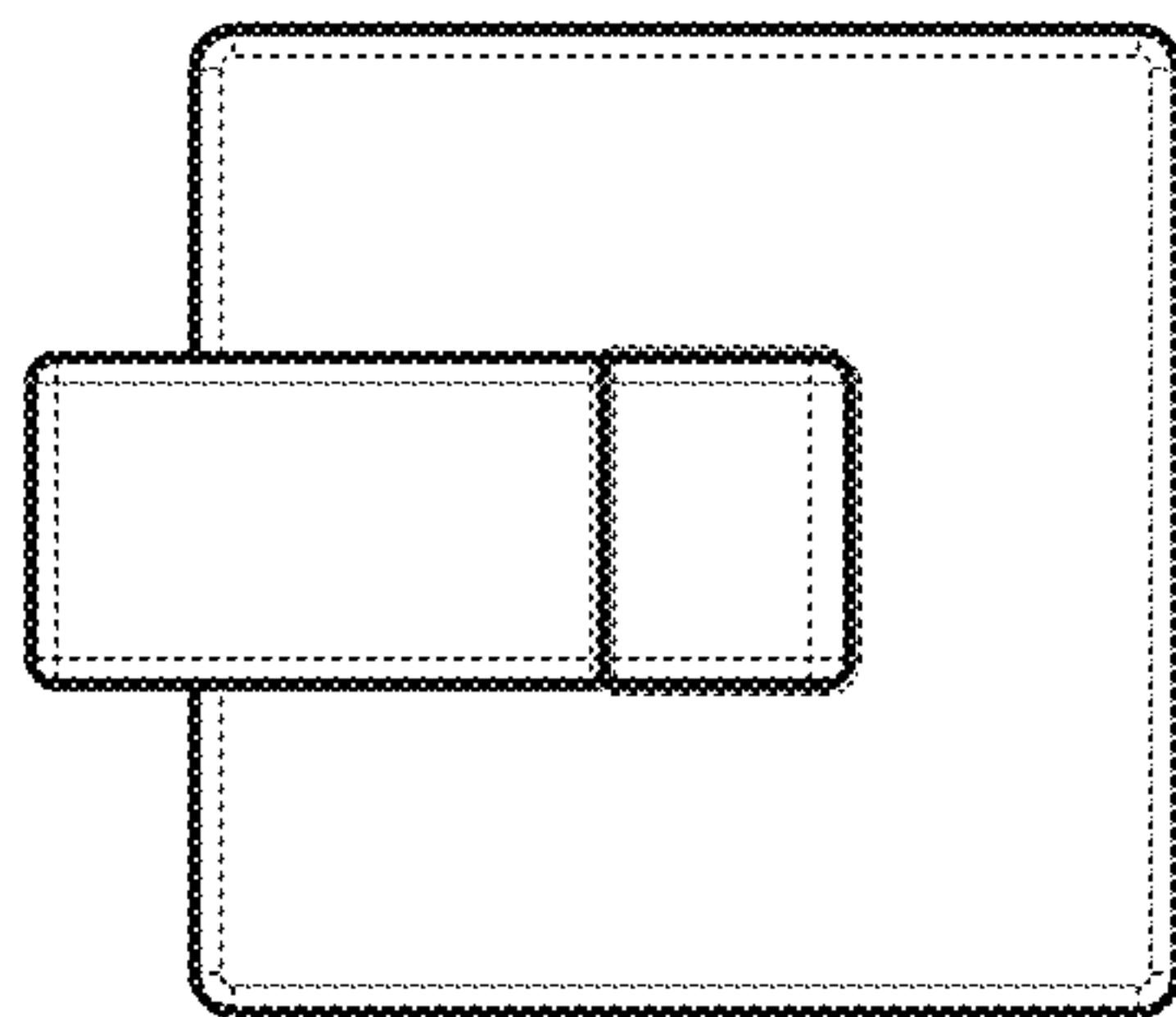


FIG-3

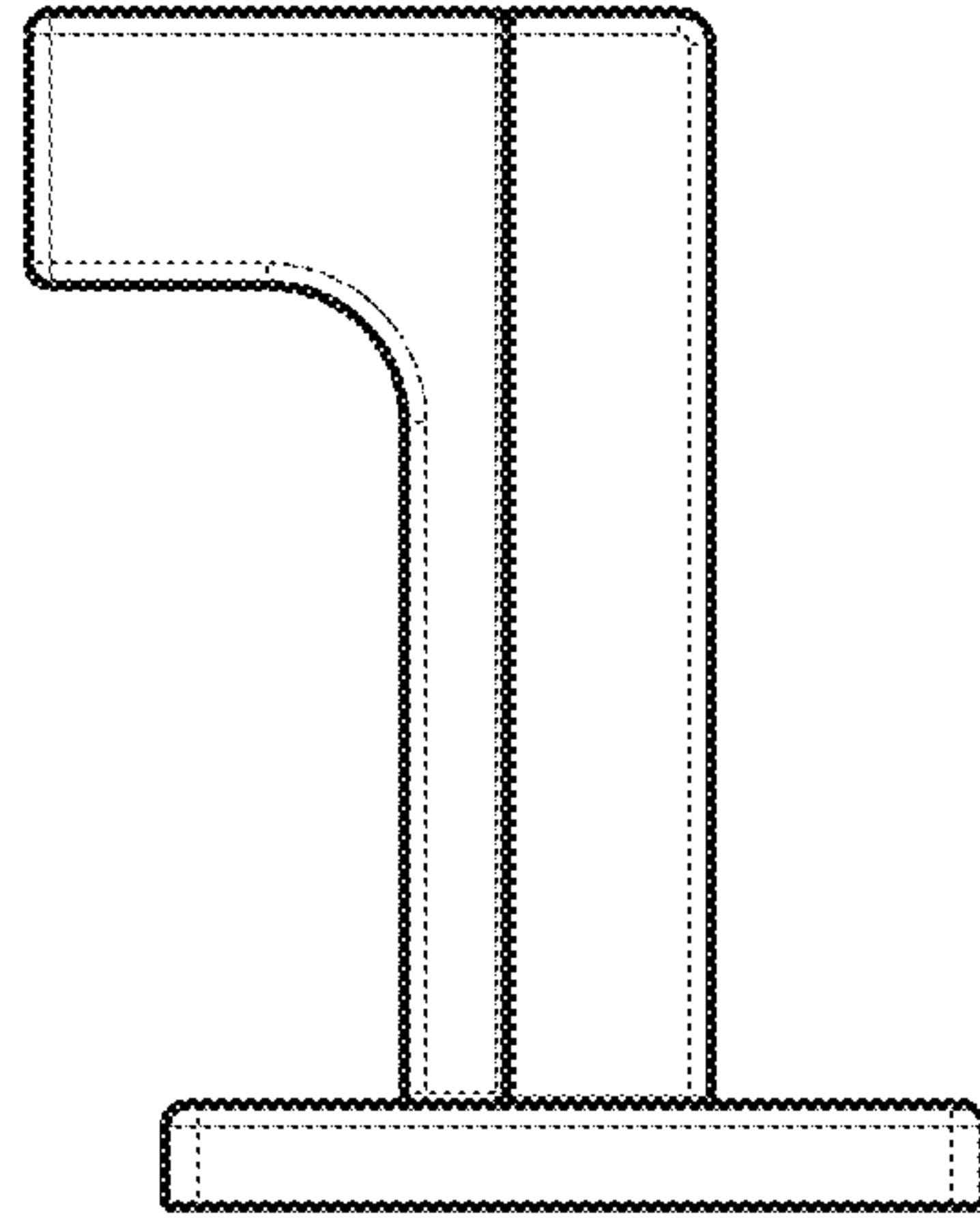


FIG-6

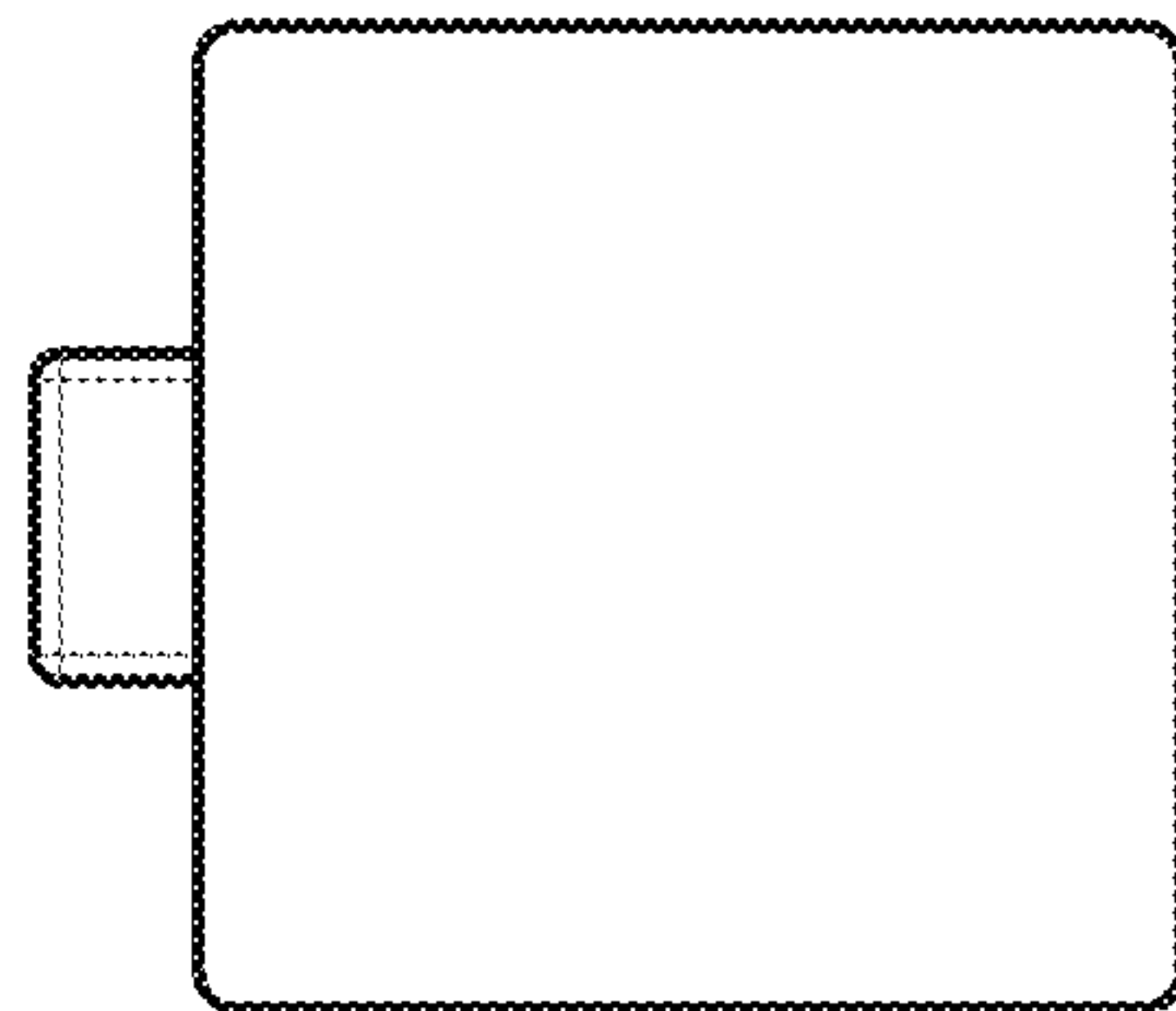


FIG-5

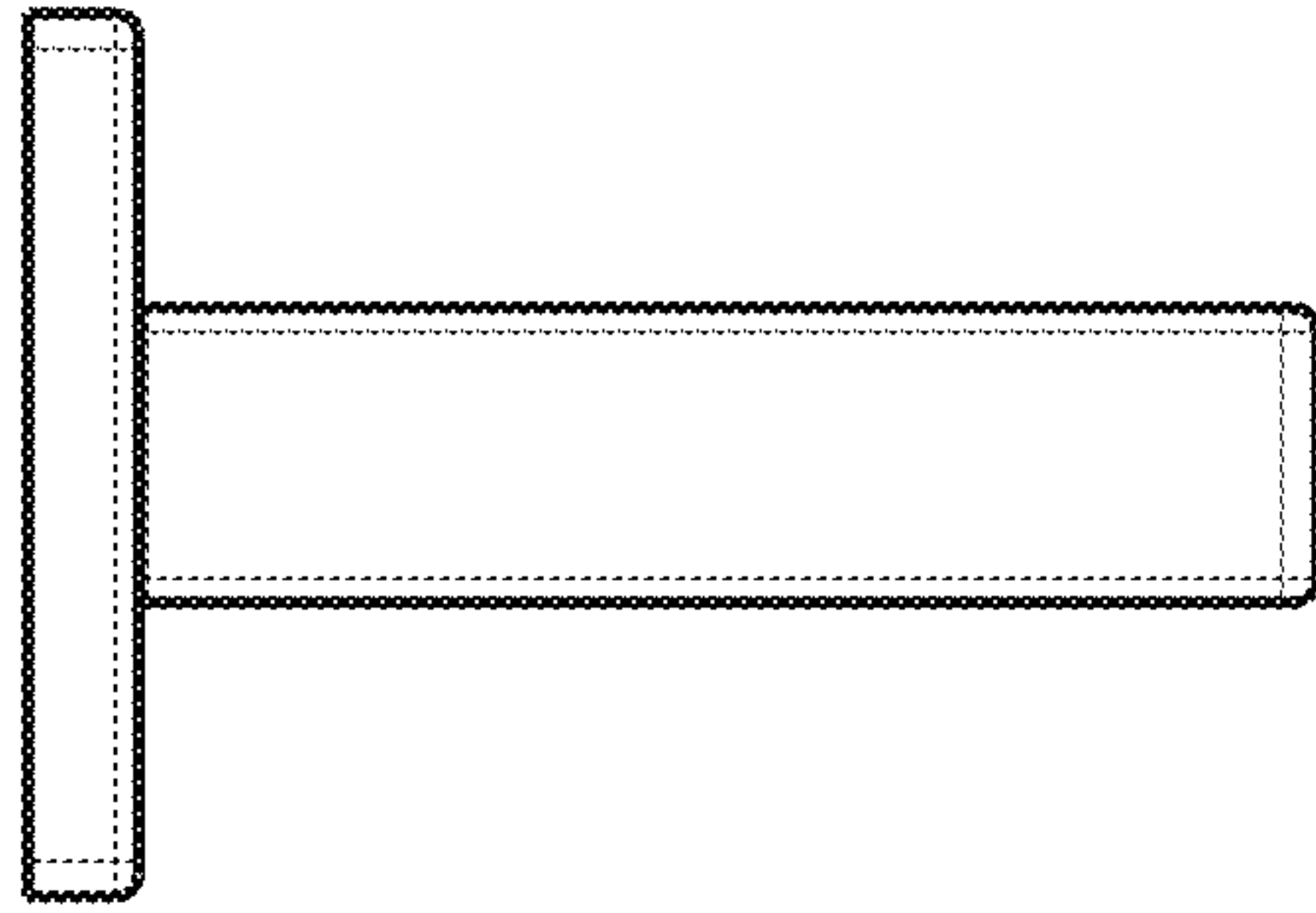


FIG-8

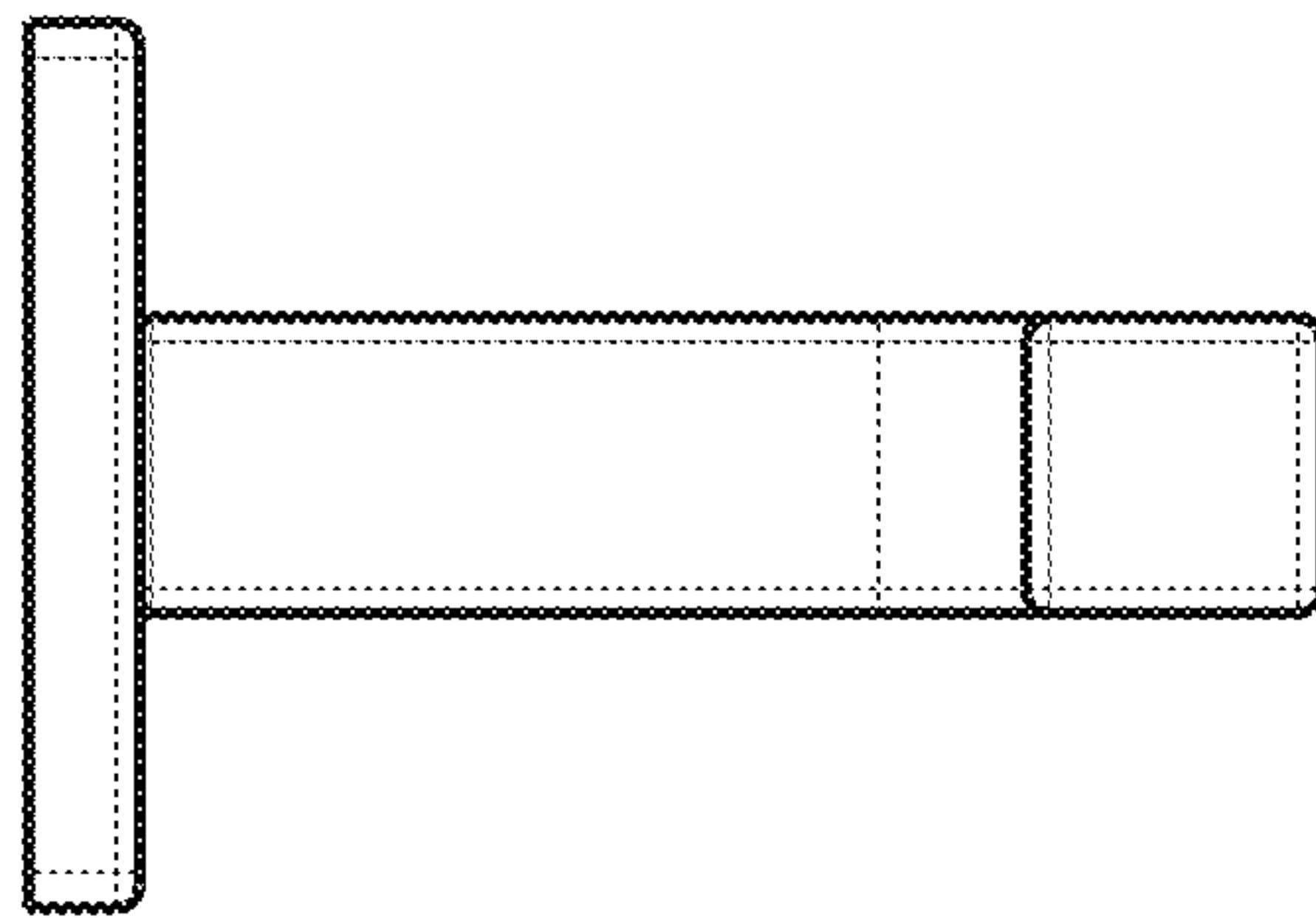


FIG-7