

US00D941661S

(12) **United States Design Patent**
Tanner et al.

(10) **Patent No.:** **US D941,661 S**
(45) **Date of Patent:** **** Jan. 25, 2022**

(54) **BRACKET**
(71) Applicant: **Adroit Worldwide Media, Inc.**, Aliso Viejo, CA (US)
(72) Inventors: **Cody Tanner**, Orlando, FL (US); **Kurtis Van Horn**, Aliso Viejo, CA (US); **Mike Smith**, Laguna Niguel, CA (US); **David Alstatt**, Aliso Viejo, CA (US); **Greg Schumacher**, Rancho Mission Viejo, CA (US); **Kevin Howard**, Laguna Niguel, CA (US)

5,954,301 A * 9/1999 Joseph H05K 7/1421 248/68.1
D469,065 S * 1/2003 Pawluk D13/155
D478,558 S * 8/2003 Sparks D13/184
D632,547 S * 2/2011 Thompson D8/356
8,403,277 B2 * 3/2013 Nuernberger H02G 3/08 248/200.1
D719,102 S * 12/2014 Blackard D13/155
9,559,506 B2 * 1/2017 Korcz H02G 15/16
10,056,748 B2 * 8/2018 Thomas H02G 3/081
D835,498 S * 12/2018 Rassat D8/381
D841,433 S * 2/2019 Lardon D8/354
D876,093 S * 2/2020 Thompson D3/313
10,742,011 B2 * 8/2020 Semple H02G 3/126

(73) Assignee: **Adroit Worldwide Media, Inc.**, Aliso Viejo, CA (US)

(**) Term: **15 Years**

(21) Appl. No.: **29/739,071**

(22) Filed: **Jun. 22, 2020**

(51) **LOC (13) Cl.** **08-05**

(52) **U.S. Cl.**
USPC **D8/354**

(58) **Field of Classification Search**
USPC D13/146-149, 151-155; D8/349, 354, D8/366, 380
CPC H01R 13/58; H02G 3/30; H02G 3/26
See application file for complete search history.

(56) **References Cited**

U.S. PATENT DOCUMENTS

2,921,607 A * 1/1960 Caveney H02G 3/0418 138/106
4,136,257 A * 1/1979 Taylor H02G 3/045 174/68.3
5,272,279 A * 12/1993 Filshie H02B 1/40 174/50

* cited by examiner

Primary Examiner — Keli L Hill

Assistant Examiner — Harold E Blackwell, II

(74) *Attorney, Agent, or Firm* — Ravi Mohan; Rutan & Tucker, LLP

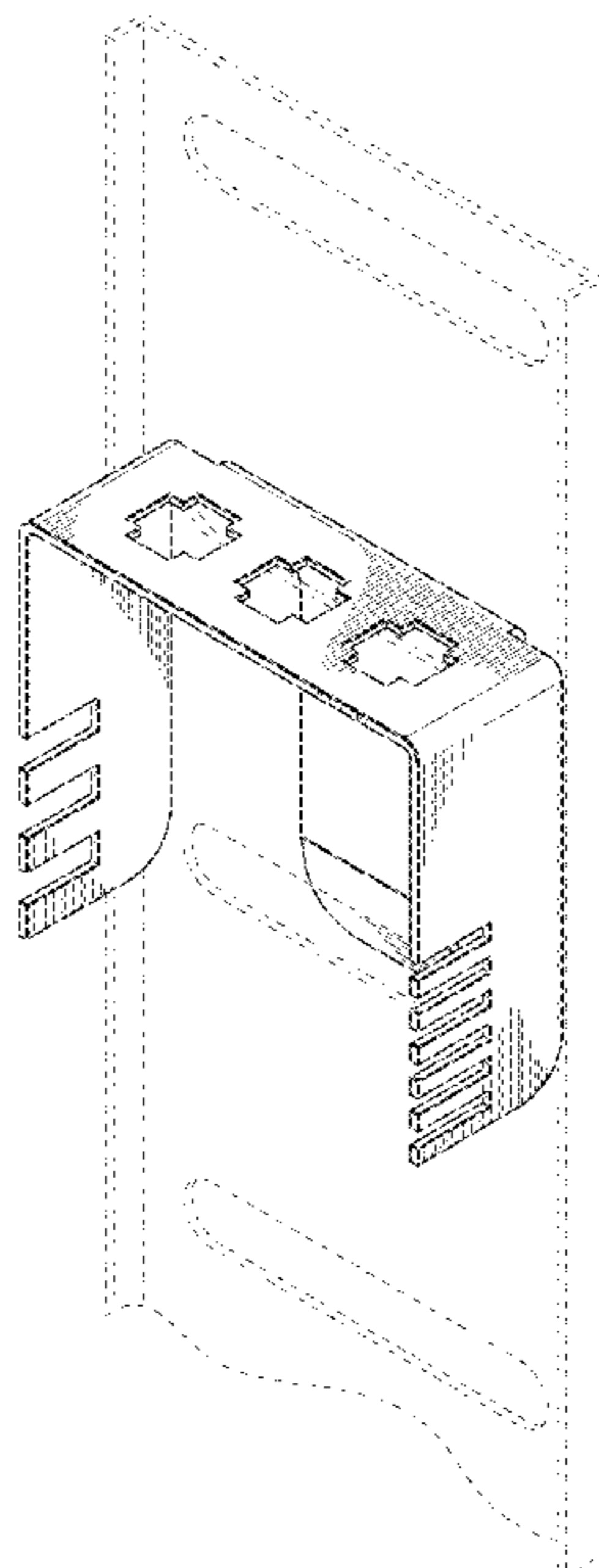
(57) **CLAIM**

The ornamental design for a bracket, as shown and described.

DESCRIPTION

FIG. 1 is a top, front, right side perspective view of the bracket, shown mounted on a cable channel run in broken line as environment;
FIG. 2 is a front elevation view thereof;
FIG. 3 is a rear elevation view thereof;
FIG. 4 is a left side elevation view thereof;
FIG. 5 is a right side elevation view thereof;
FIG. 6 is a top plan view thereof; and,
FIG. 7 is a bottom plan view thereof.
The broken line portions shown in FIG. 1 illustrates environmental subject matter only and form no part of the claimed design.

1 Claim, 3 Drawing Sheets



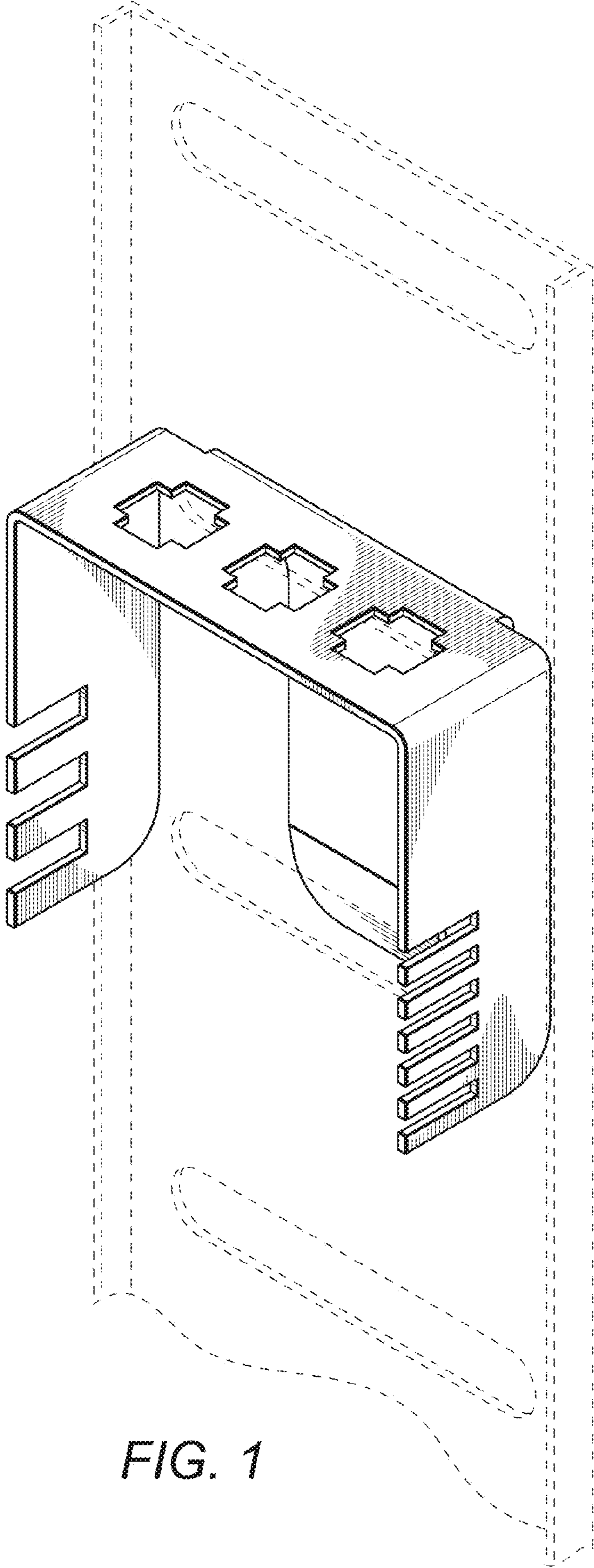


FIG. 1

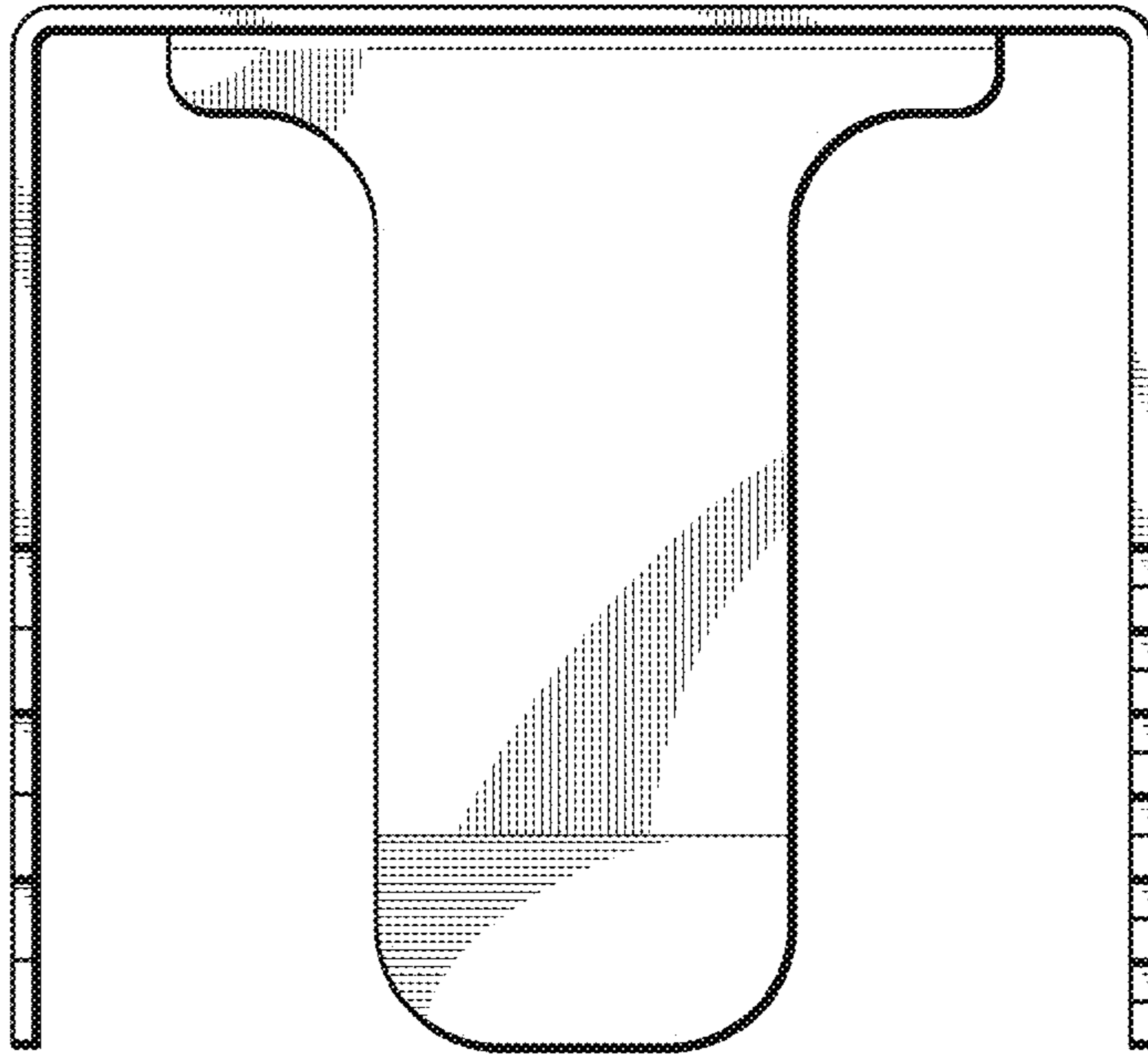


FIG. 2

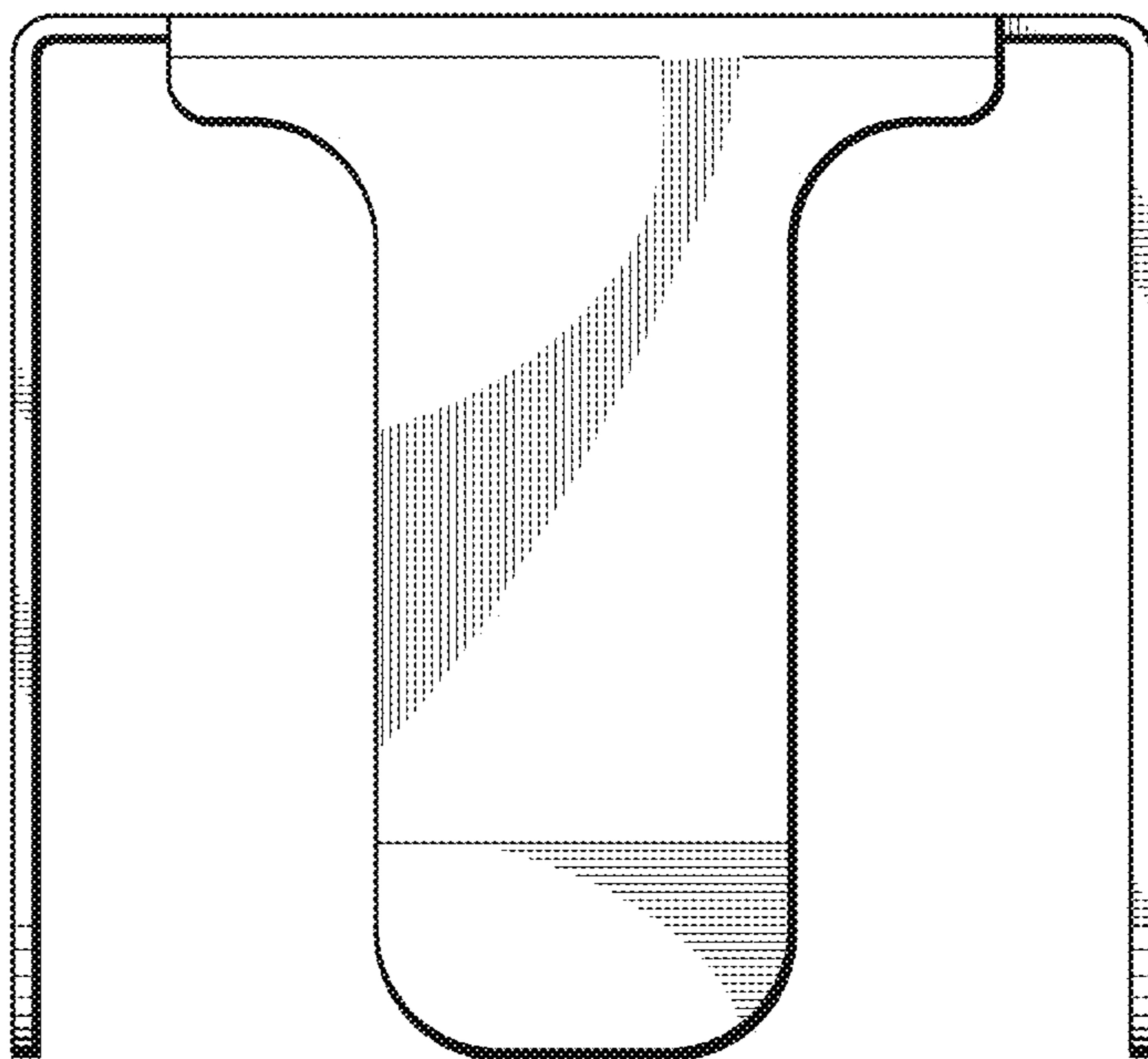


FIG. 3

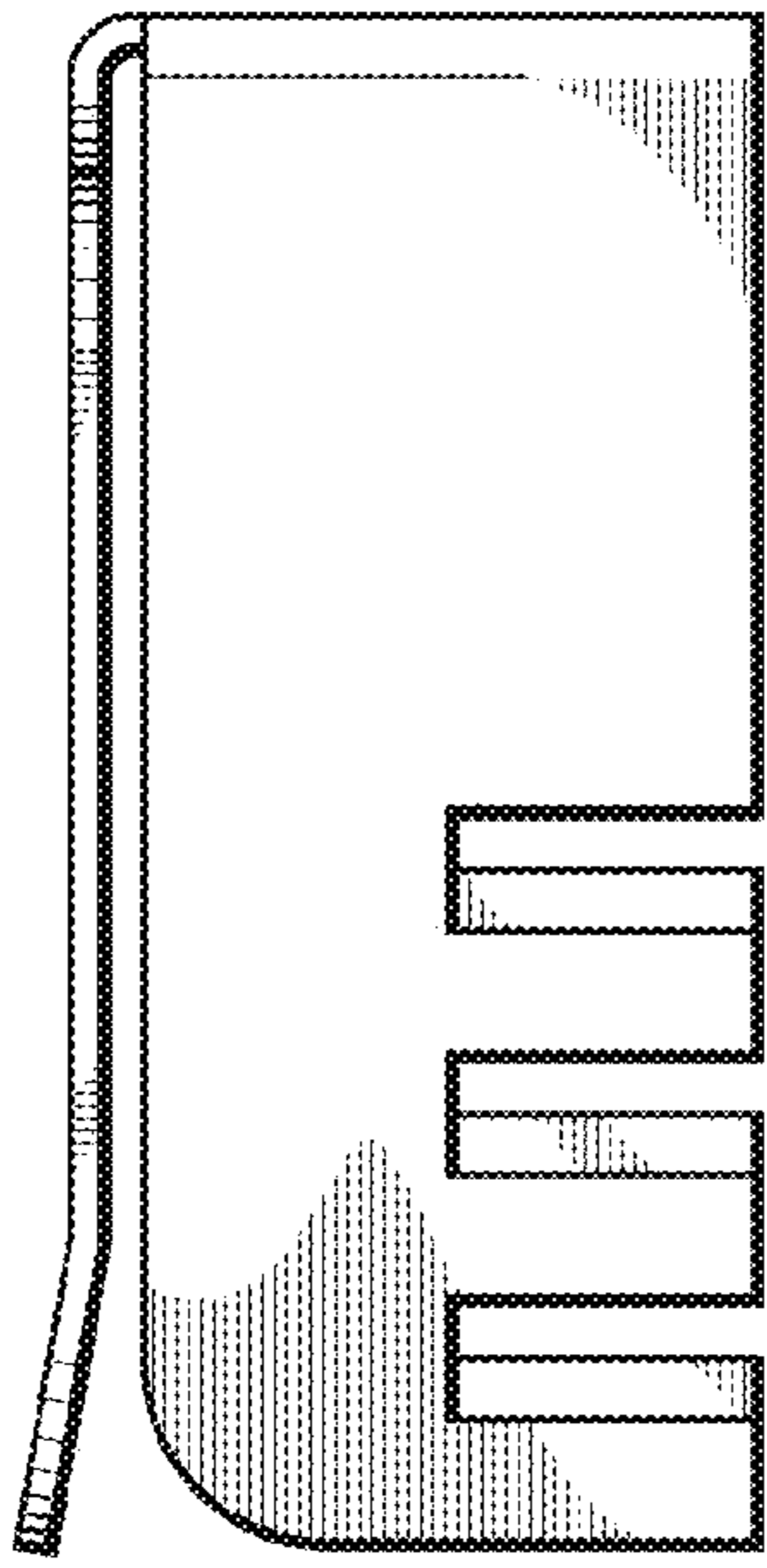


FIG. 4

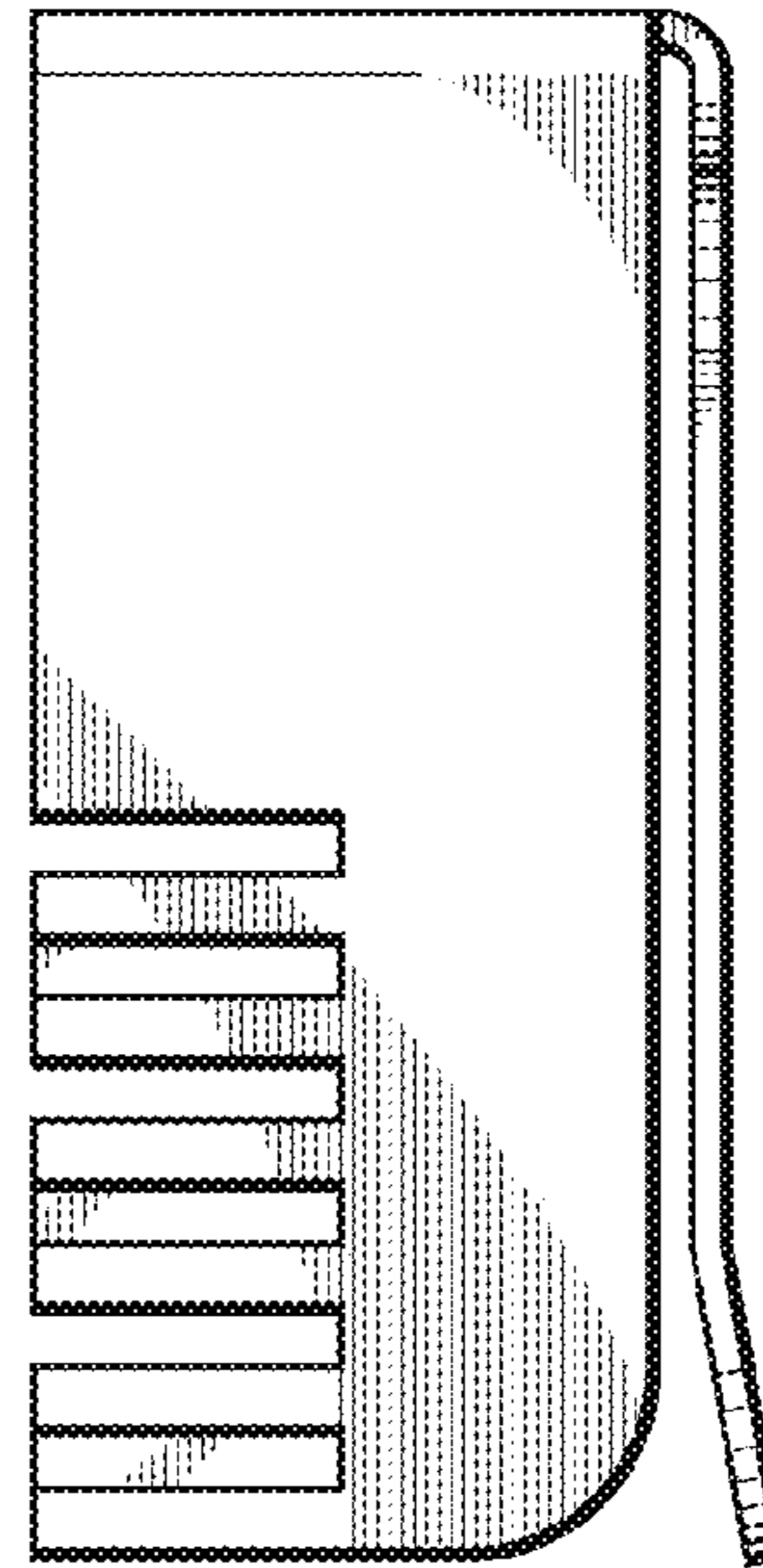


FIG. 5

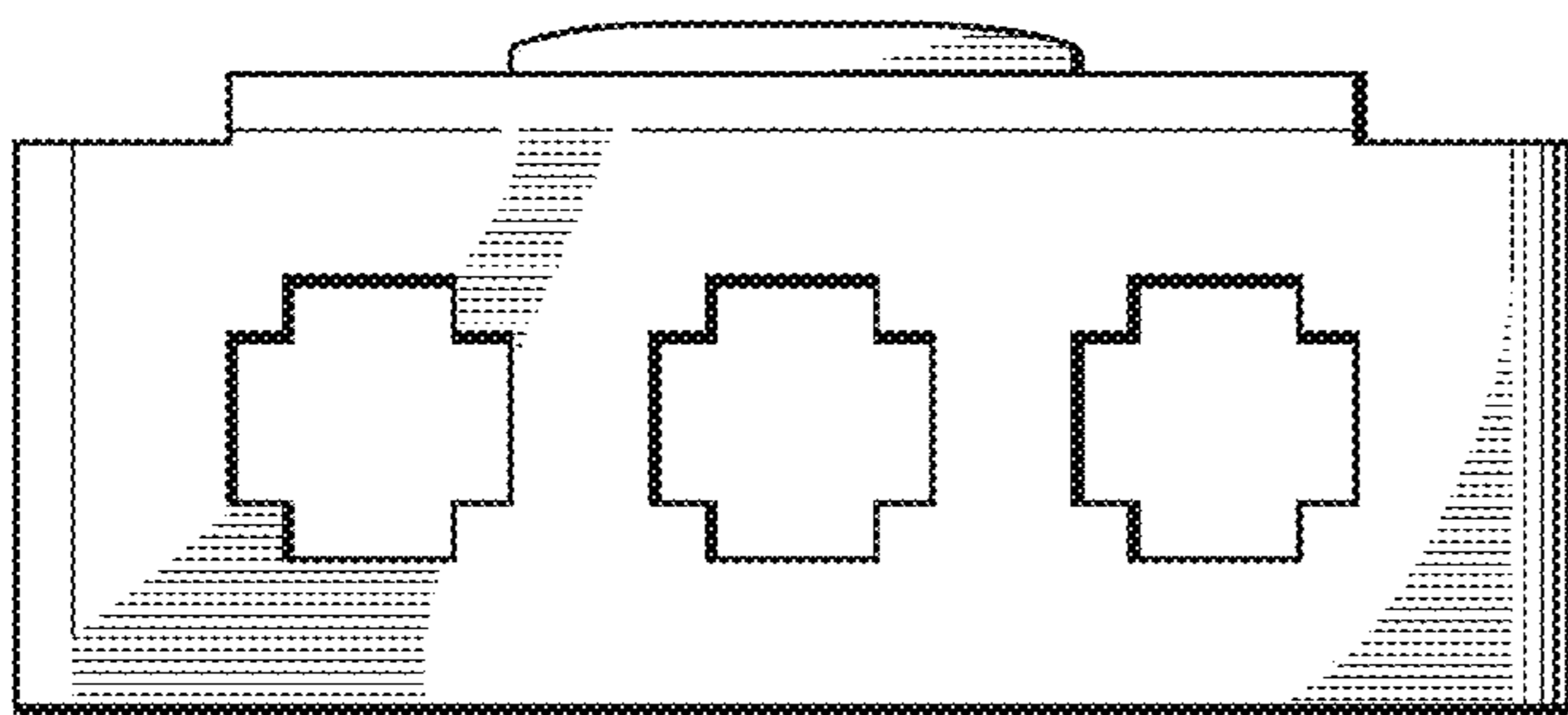


FIG. 6

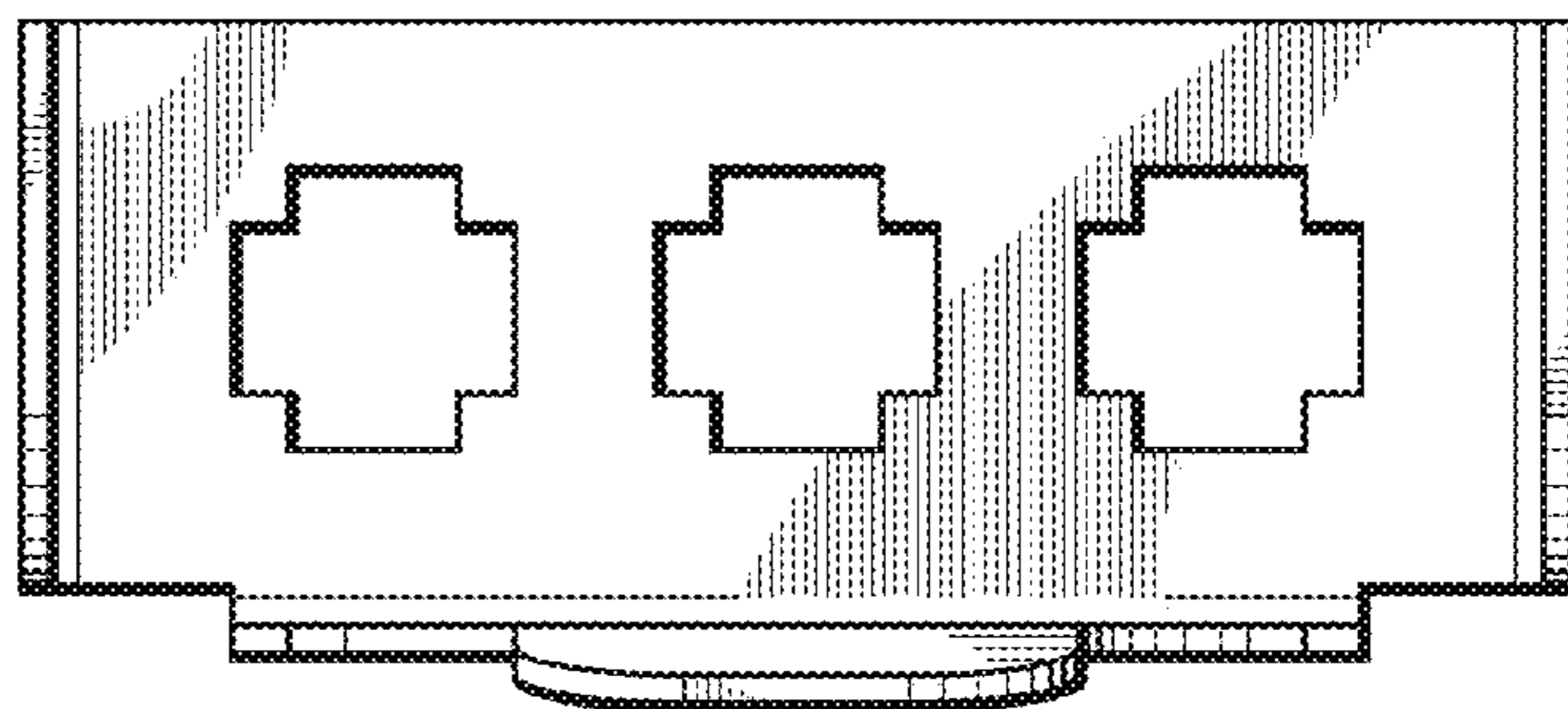


FIG. 7