



US00D941658S

(12) **United States Design Patent**  
**Gokcebay**

(10) **Patent No.:** **US D941,658 S**  
(45) **Date of Patent:** **\*\* Jan. 25, 2022**

- (54) **ELECTRONIC LOCK**
- (71) Applicant: **Digilock Asia Ltd.**
- (72) Inventor: **Asil Gokcebay, Petaluma, CA (US)**
- (73) Assignee: **Digilock Asia Ltd., Kowloon (HK)**
- (\*\*) Term: **15 Years**
- (21) Appl. No.: **29/717,255**
- (22) Filed: **Dec. 16, 2019**
- (51) **LOC (13) Cl.** ..... **08-07**
- (52) **U.S. Cl.**  
USPC ..... **D8/331**
- (58) **Field of Classification Search**  
USPC ..... D8/330, 331  
CPC .. G07C 9/00174; G07C 9/00309; G07C 9/20;  
G07C 9/22; G07C 9/30; G07C 9/00182;  
G07C 2009/00968; G07C 7/00; G06K  
7/0017; G06K 7/0047; G06K 7/0056;  
G06K 7/0004; G06K 7/0008; G06K  
2007/10524; G06K 7/10554; G06K  
7/10603; G06K 9/00; E05B 49/006; E05B  
47/0046; E05B 47/0001; E05B 47/0011;  
E05B 2047/0014; E05B 2047/0018; E05B  
2047/0048; E05B 2047/0085; E05B  
65/007; E05B 65/0032; E05B 65/44;  
E05B 65/46; E05B 65/0014; E05B 13/00  
See application file for complete search history.

- D730,714 S 6/2015 Gokcebay et al.
- D730,715 S 6/2015 Gokcebay et al.
- D731,286 S 6/2015 Gokcebay et al.
- D731,287 S 6/2015 Gokcebay et al.
- D733,519 S 7/2015 Gokcebay et al.
- D737,083 S 8/2015 Bey et al.
- D737,084 S 8/2015 Bey et al.
- D737,114 S 8/2015 Gokcebay et al.
- 9,129,457 B2\* 9/2015 Sumcad ..... E05B 17/2084
- D752,945 S 4/2016 Gokcebay et al.
- D752,947 S 4/2016 Gokcebay et al.
- D752,948 S 4/2016 Gokcebay et al.
- D752,949 S 4/2016 Gokcebay et al.
- D753,463 S 4/2016 Gokcebay et al.
- D758,114 S 6/2016 Bey et al.
- D762,100 S 7/2016 Gokcebay et al.
- D762,101 S 7/2016 Gokcebay et al.
- D762,102 S 7/2016 Gokcebay et al.
- D762,103 S 7/2016 Gokcebay et al.
- D764,255 S 8/2016 Gokcebay et al.
- D764,891 S 8/2016 Gokcebay et al.

(Continued)

Primary Examiner — Doris Clark  
(74) Attorney, Agent, or Firm — Russell C. Petersen

(57) **CLAIM**

The ornamental design for an electronic lock, as shown and described.

**DESCRIPTION**

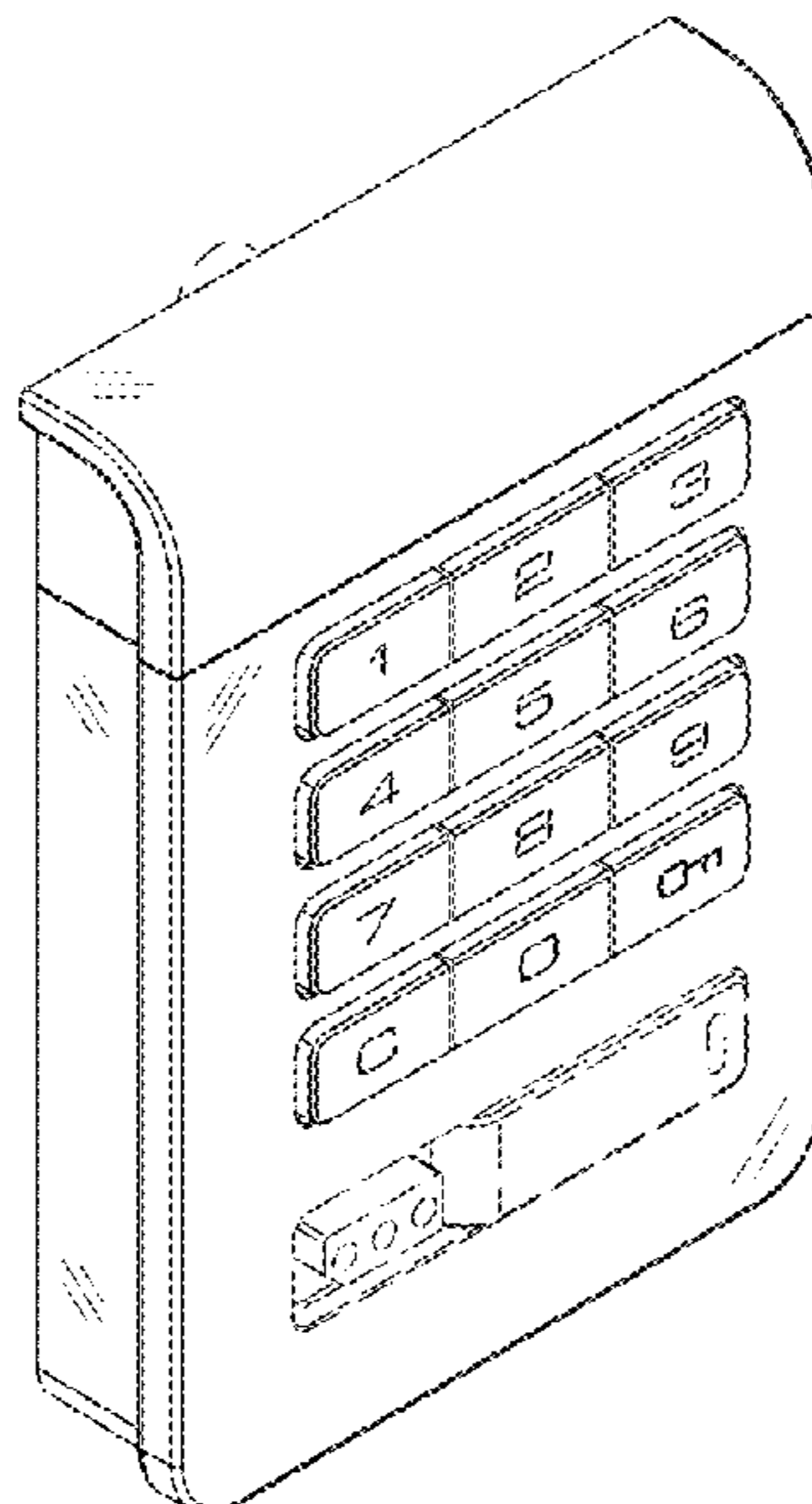
FIG. 1 is a perspective view of an electronic lock, showing the new design;  
FIG. 2 is a top view of the electronic lock;  
FIG. 3 is a rear view of the electronic lock;  
FIG. 4 is a left side view of the electronic lock;  
FIG. 5 is a front view of the electronic lock;  
FIG. 6 is a right side view of the electronic lock; and,  
FIG. 7 is a bottom view of the electronic lock.  
The broken lines are shown for the purpose of illustrating parts of the electronic lock that form no part of the claimed design.

(56) **References Cited**

U.S. PATENT DOCUMENTS

- D672,585 S 12/2012 Bey et al.
- D696,569 S \* 12/2013 Luo ..... D8/331
- D720,200 S 12/2014 Gokcebay et al.
- D720,201 S 12/2014 Gokcebay et al.
- D720,202 S 12/2014 Gokcebay et al.
- D730,712 S 6/2015 Gokcebay et al.

**1 Claim, 3 Drawing Sheets**



(56)

References Cited

U.S. PATENT DOCUMENTS

D764,892 S	8/2016	Gokcebay et al.	D832,081 S	10/2018	Gokcebay et al.
D764,893 S	8/2016	Gokcebay et al.	D832,676 S	11/2018	Gokcebay et al.
D789,715 S	6/2017	Bey et al.	D832,677 S	11/2018	Gokcebay et al.
D789,716 S	6/2017	Bey et al.	D835,968 S	12/2018	Gokcebay et al.
D790,265 S	6/2017	Bey et al.	D836,417 S	12/2018	Gokcebay
D790,266 S	6/2017	Bey et al.	D836,418 S	12/2018	Gokcebay
D802,395 S *	11/2017	Hsu ..... D8/330	10,378,237 B2 *	8/2019	Bacon ..... G07C 9/30
D802,396 S *	11/2017	Hsu ..... D8/330	10,385,588 B2 *	8/2019	Huang ..... G07C 9/00896
D804,278 S	12/2017	Gokcebay et al.	D863,024 S	10/2019	Gokcebay
D804,279 S	12/2017	Gokcebay et al.	D863,025 S	10/2019	Gokcebay
D809,366 S	2/2018	Gokcebay	D863,026 S	10/2019	Gokcebay
D809,896 S	2/2018	Gokcebay	D863,027 S	10/2019	Gokcebay
D832,074 S	10/2018	Gokcebay et al.	D863,028 S	10/2019	Gokcebay
D832,075 S	10/2018	Gokcebay et al.	D863,029 S	10/2019	Gokcebay
D832,076 S	10/2018	Gokcebay et al.	D863,030 S	10/2019	Gokcebay
D832,077 S	10/2018	Gokcebay et al.	D863,031 S	10/2019	Gokcebay
D832,078 S	10/2018	Gokcebay et al.	D863,032 S	10/2019	Gokcebay
D832,079 S	10/2018	Gokcebay et al.	D863,033 S	10/2019	Gokcebay
D832,080 S	10/2018	Gokcebay et al.	D863,034 S	10/2019	Gokcebay
			D863,035 S	10/2019	Gokcebay
			10,633,891 B2 *	4/2020	Sidhu ..... E05B 35/105 D8/331

\* cited by examiner

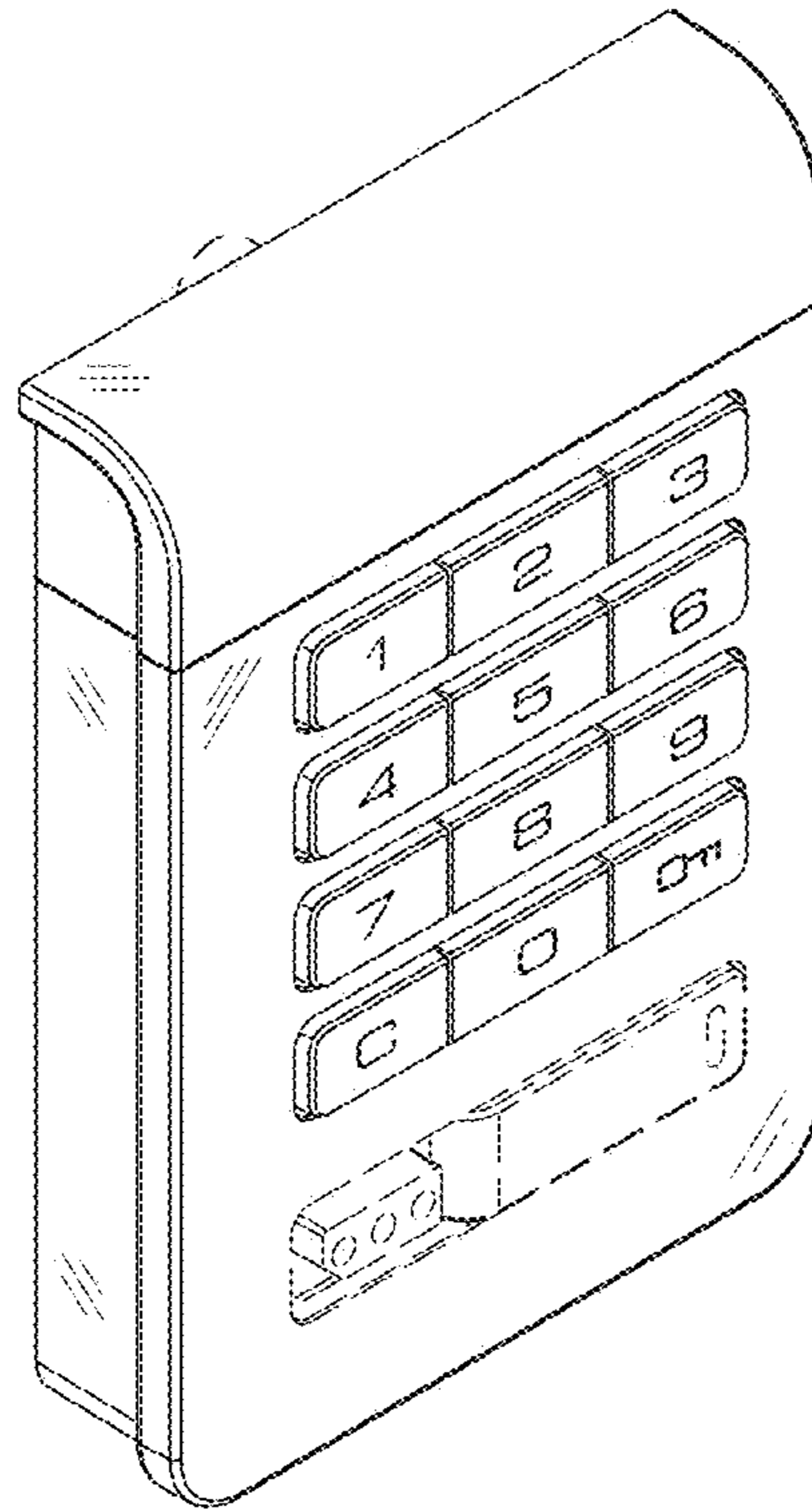


FIG. 1

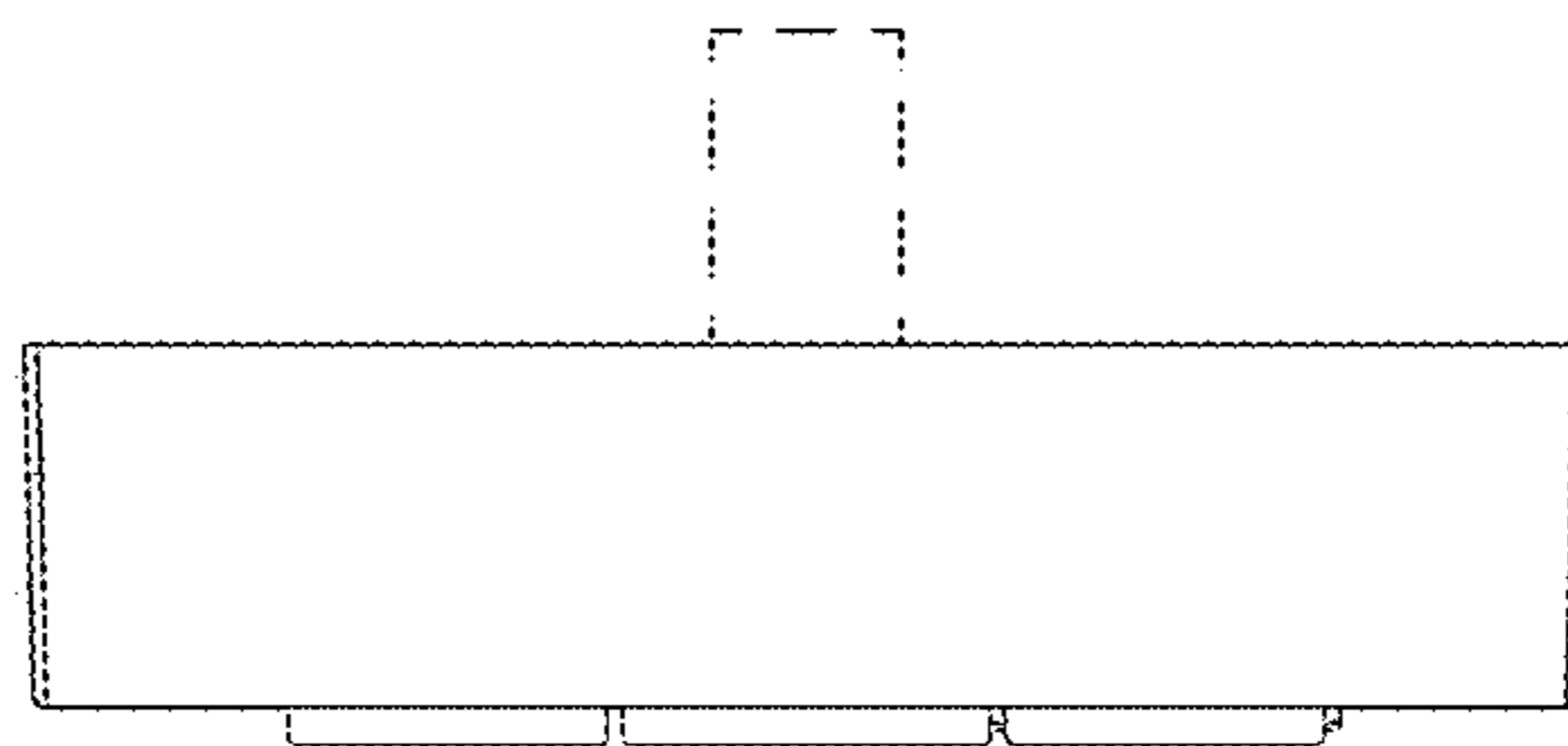


FIG. 2

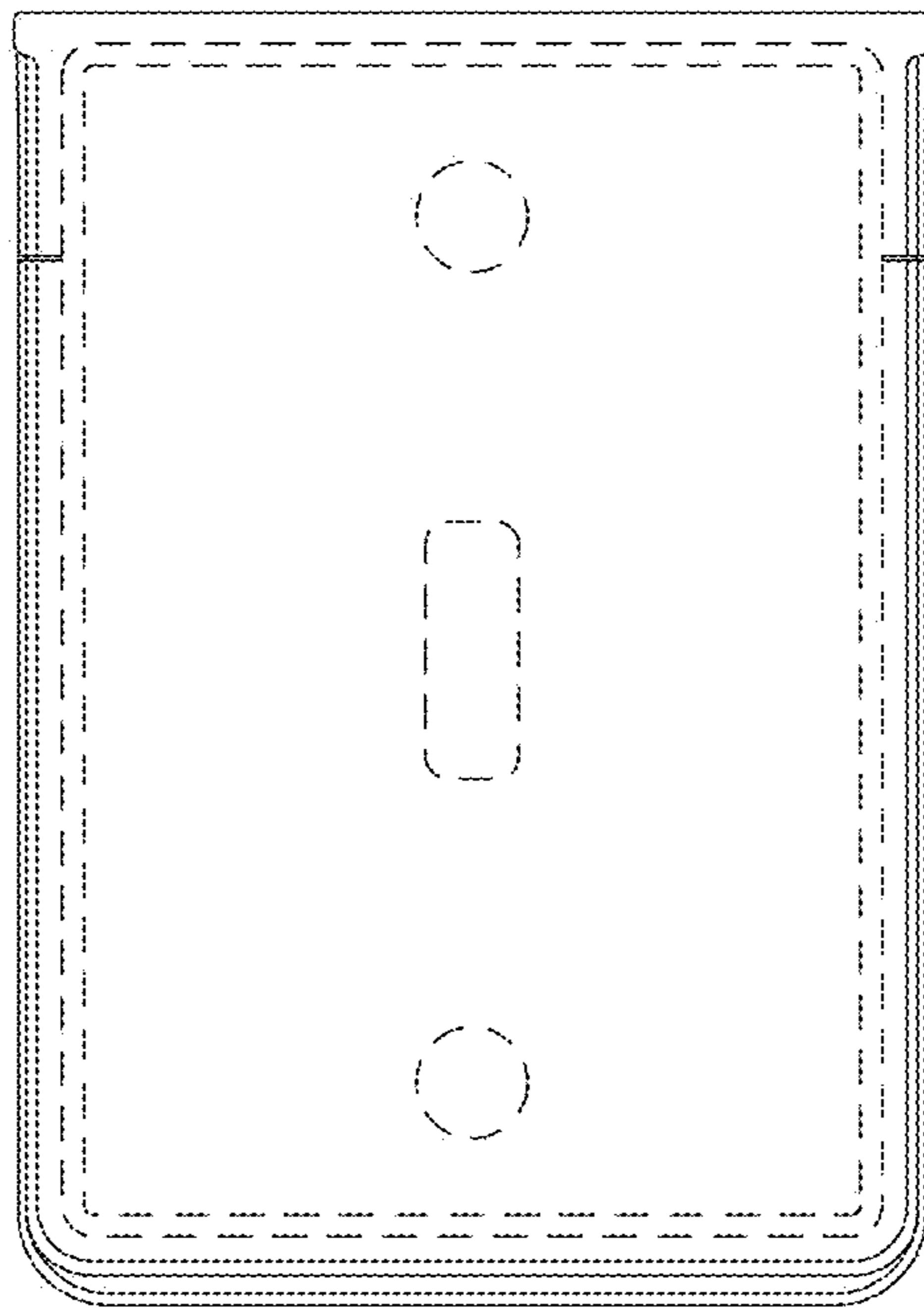


FIG. 3



FIG. 4

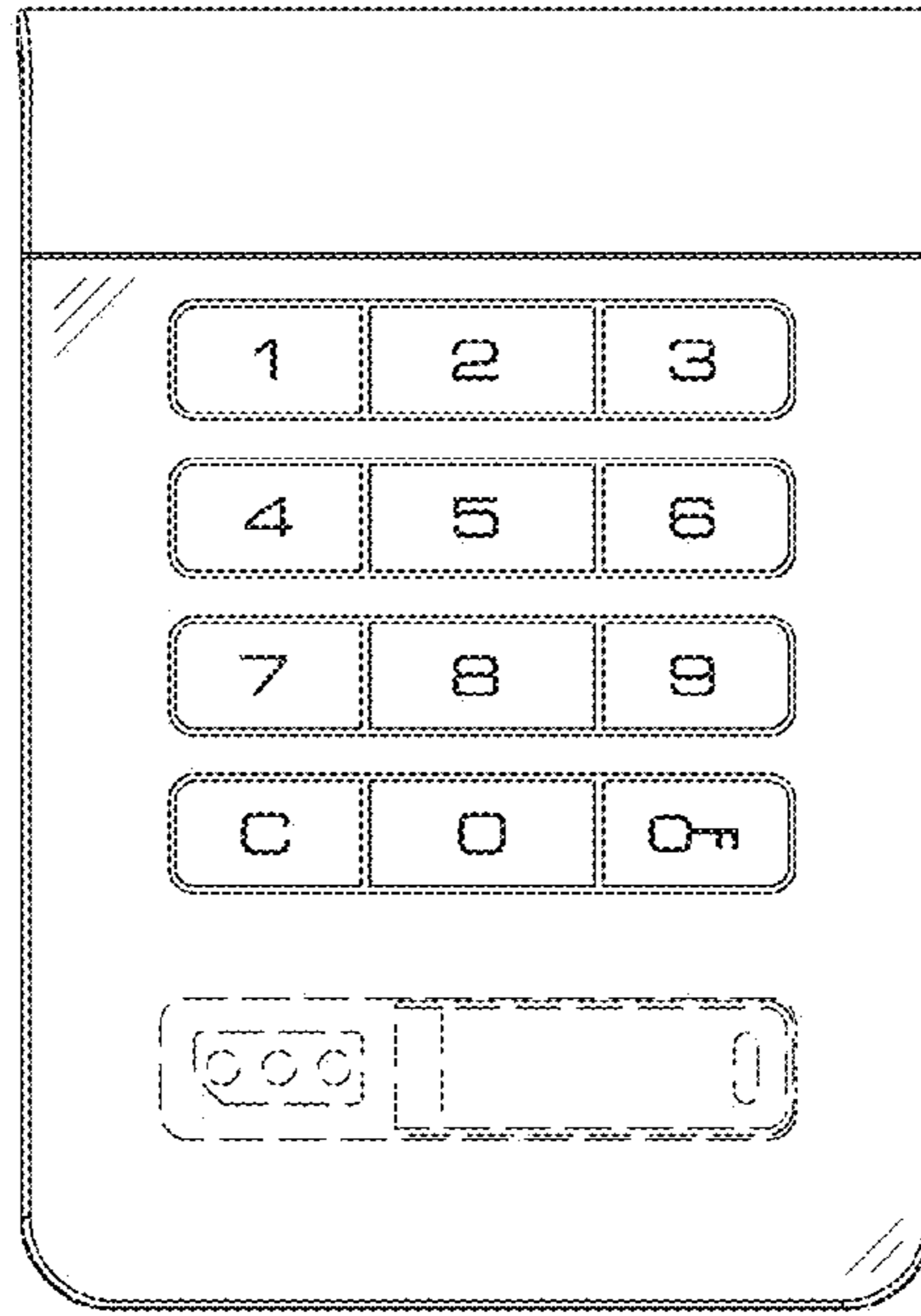


FIG. 5

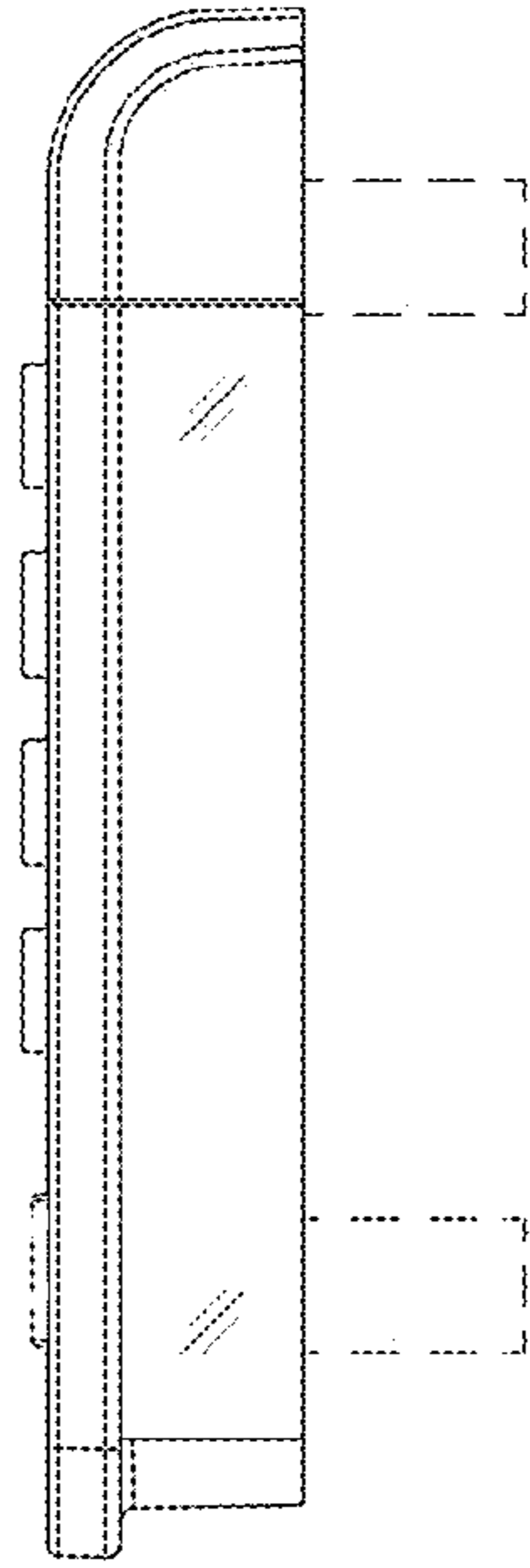


FIG. 6

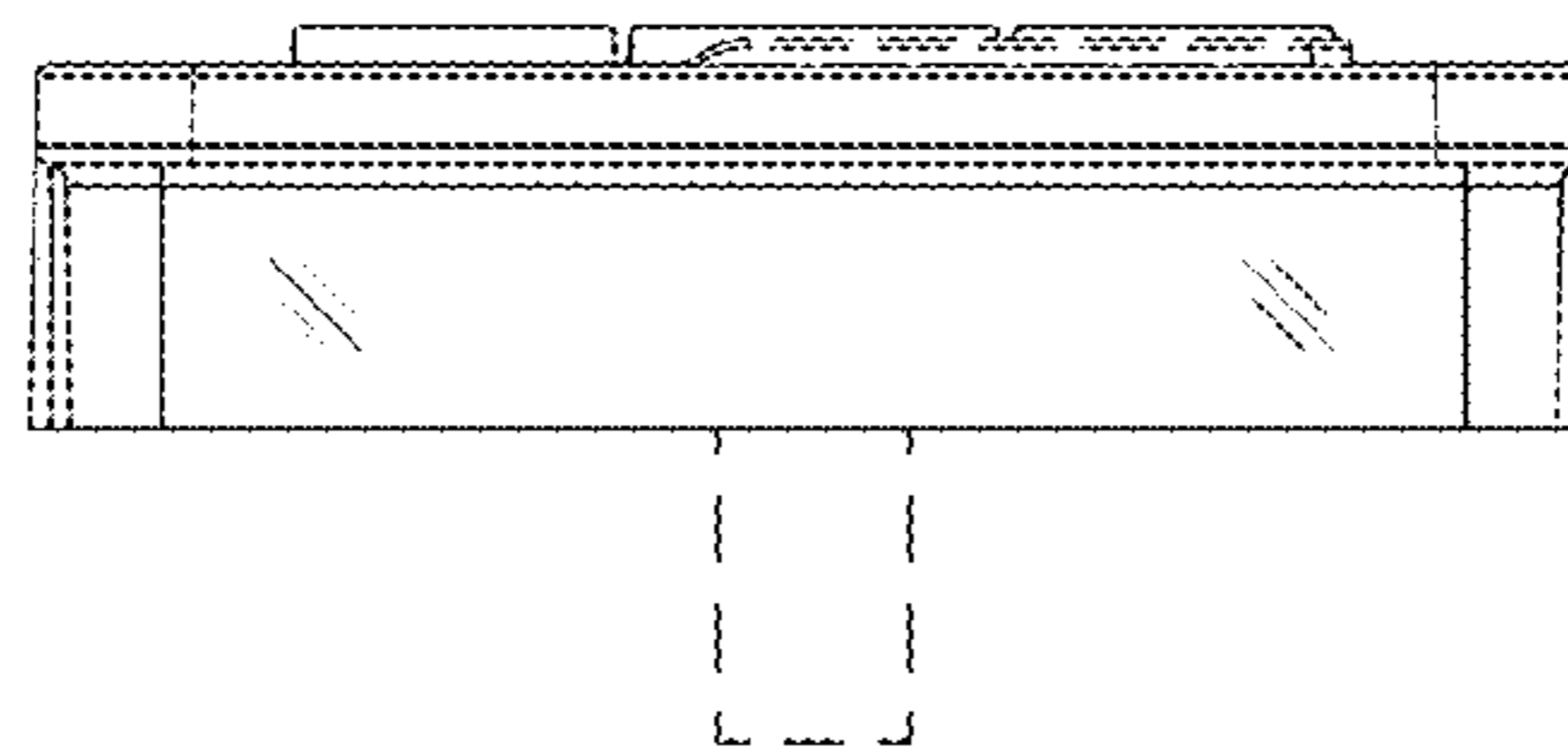


FIG. 7