



US00D941656S

(12) **United States Design Patent**  
**Sendin Martin**

(10) **Patent No.:** **US D941,656 S**  
(45) **Date of Patent:** **\*\* Jan. 25, 2022**

(54) **LOCK CASING**

FOREIGN PATENT DOCUMENTS

(71) Applicant: **OJMAR, S.A.**, Elgoibar (ES)

EM 003790542-0001 3/2017  
EM 003790542-0002 3/2017

(72) Inventor: **Ricardo Sendin Martin**, Mendaro (ES)

(Continued)

(73) Assignee: **OJMAR, S.A.**, Elgoibar (ES)

OTHER PUBLICATIONS

(\*\*) Term: **15 Years**

Top Quality Zinc Alloy Metal Casing Locker Lock Cabinet Lock of Sauna Room Cabinet Locker Lock (2020). Retrieved Apr. 26, 2020 at <https://joneytechnology.en.made-in-china.com/product/uCTnGZLvYPVY/China-Top-Quality-Zinc-Alloy-Metal-Casing-Locker-Lock-Cabinet-Lock-of-Sauna-Room-Cabinet-Locker-Lock.html>. (Year: 2020).\*

(21) Appl. No.: **29/636,401**

(22) Filed: **Feb. 8, 2018**

(51) **LOC (13) Cl.** ..... **08-07**

(52) **U.S. Cl.**

USPC ..... **D8/330**

(58) **Field of Classification Search**

USPC ..... D8/347, 348, 343, 349, 499, 330, 331, D8/336, 338, 339, 340; 70/2, 14, 51, 57, 70/57.1, 91, 107, 141, 214, 78, 278, 1, 70/127, 447; 292/2, 32, 137, 288, 289, 292/290, 292, 194-198, 164, 165, 257  
CPC ..... E05B 29/00; E05B 37/00; E05B 49/00; E05B 41/00; E05B 65/00; E05B 1/00; E05B 47/06; E05B 9/02; E05B 47/00; E05B 37/0068; E05B 37/025; E05B 37/0044; E05B 37/0048; E05B 37/0034; E05B 67/22; E05B 47/02; E05B 47/0012; E05B 47/026; E05B 47/0001; E05C 1/163; G08C 17/02; Y10T 70/7062; Y10T 70/102; Y10T 70/7107; Y10T 292/1021; Y10T 70/7113; Y10T 70/7068

See application file for complete search history.

*Primary Examiner* — Manpreet S Matharu

*Assistant Examiner* — Yolanda Robinson

(74) *Attorney, Agent, or Firm* — Lucas & Mercanti, LLP

(57) **CLAIM**

The ornamental design for a lock casing, as shown and described.

**DESCRIPTION**

FIG. 1 is a front view of a first embodiment of a lock casing; FIG. 2 is a perspective view thereof; FIG. 3 is a front elevated view thereof; FIG. 4 is a left side view thereof; FIG. 5 is a right side view thereof; FIG. 6 is a top view thereof; FIG. 7 is a bottom view thereof; FIG. 8 is a front view of a second embodiment of a lock casing; FIG. 9 is a perspective view thereof; FIG. 10 is a front elevated view thereof; FIG. 11 is a left side view thereof; FIG. 12 is a right side view thereof; FIG. 13 is a top view thereof; and, FIG. 14 is a bottom view thereof.

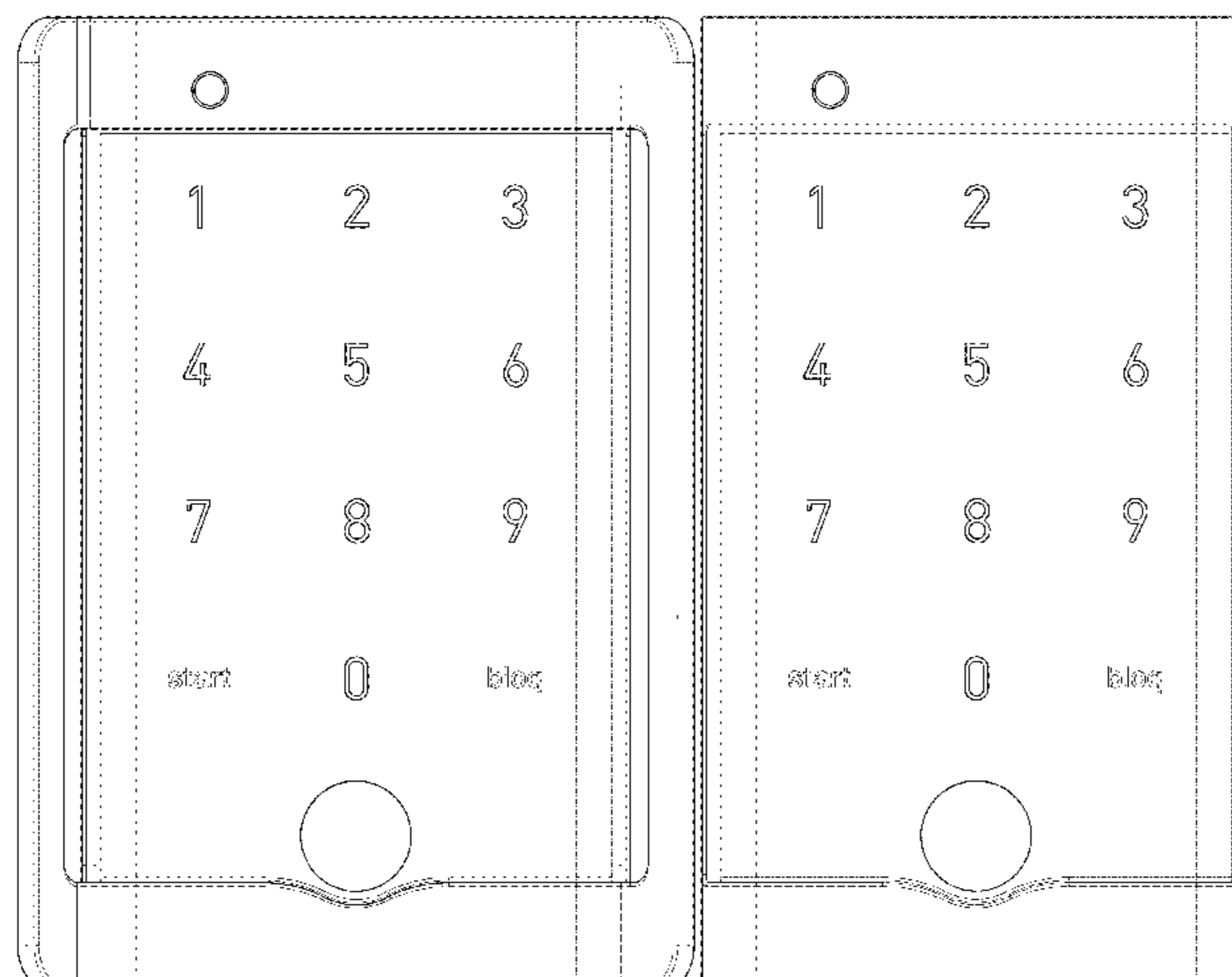
(56) **References Cited**

U.S. PATENT DOCUMENTS

D276,306 S \* 11/1984 Turner ..... D8/330  
D580,739 S \* 11/2008 Pelletier ..... D8/330  
D730,715 S \* 6/2015 Gokcebay ..... D8/331  
D733,521 S \* 7/2015 Sotes Delgado ..... D8/331  
D837,033 S \* 1/2019 Han ..... D8/331  
D863,025 S \* 10/2019 Gokcebay ..... D8/330  
D863,030 S \* 10/2019 Gokcebay ..... D8/330

(Continued)

**1 Claim, 14 Drawing Sheets**



(56)

**References Cited**

U.S. PATENT DOCUMENTS

D863,031	S	*	10/2019	Gokcebay	.....	D8/330
D863,032	S	*	10/2019	Gokcebay	.....	D8/330
D877,595	S	*	3/2020	Harrison	.....	D8/331
D880,980	S	*	4/2020	Harrison	.....	D8/331
D896,612	S	*	9/2020	Gokcebay	.....	D8/331
2009/0301147	A1	*	12/2009	Yang	.....	E05B 37/02 70/284
2018/0023320	A1	*	1/2018	McKibben	.....	E05B 63/04 700/275

FOREIGN PATENT DOCUMENTS

EM	003790542-0003	3/2017
EM	003790542-0004	3/2017
EM	003790542-0005	3/2017
EM	003790542-0006	3/2017
EM	003790542-0007	3/2017
EM	003790542-0008	3/2017

\* cited by examiner

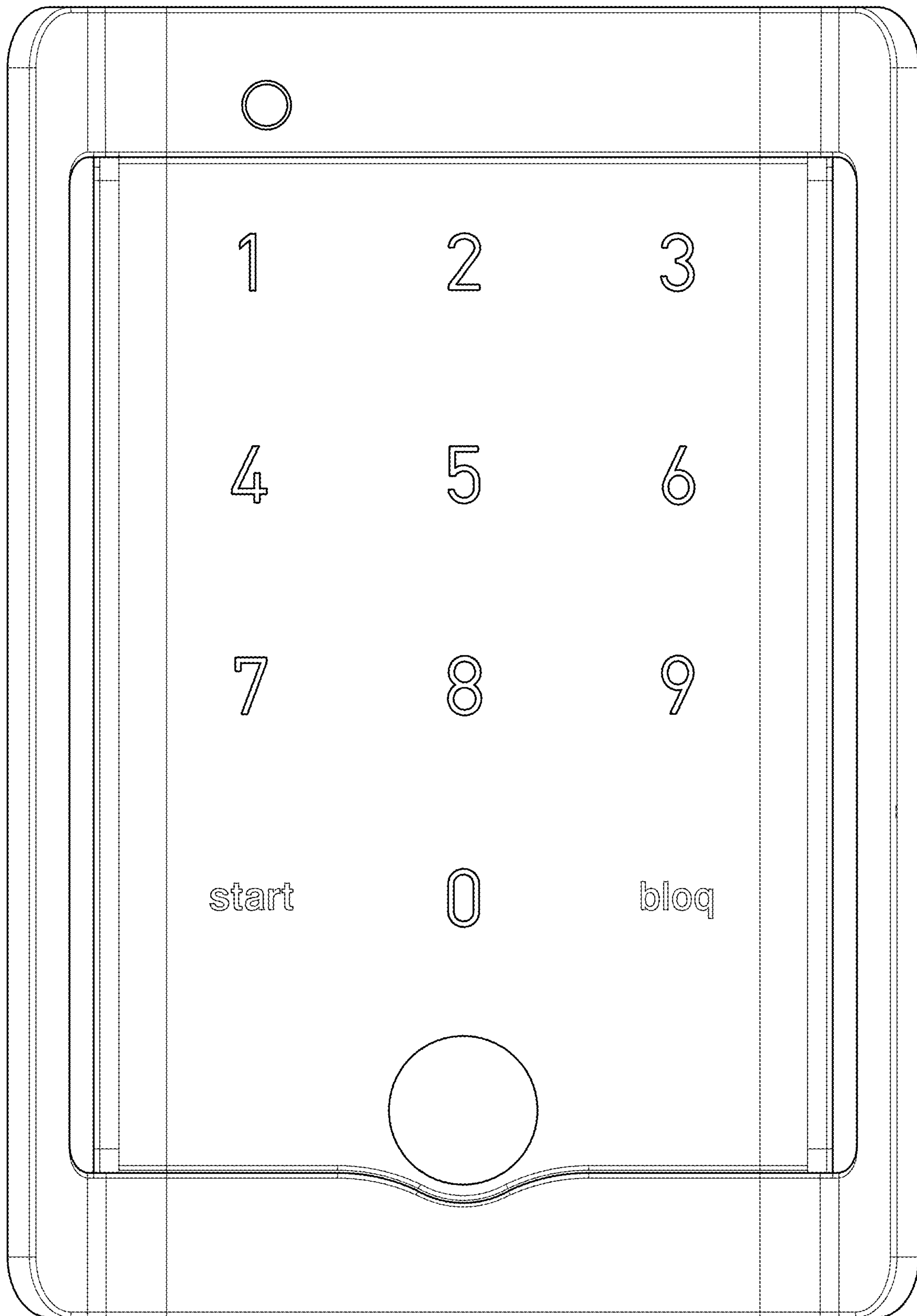


FIG. 1

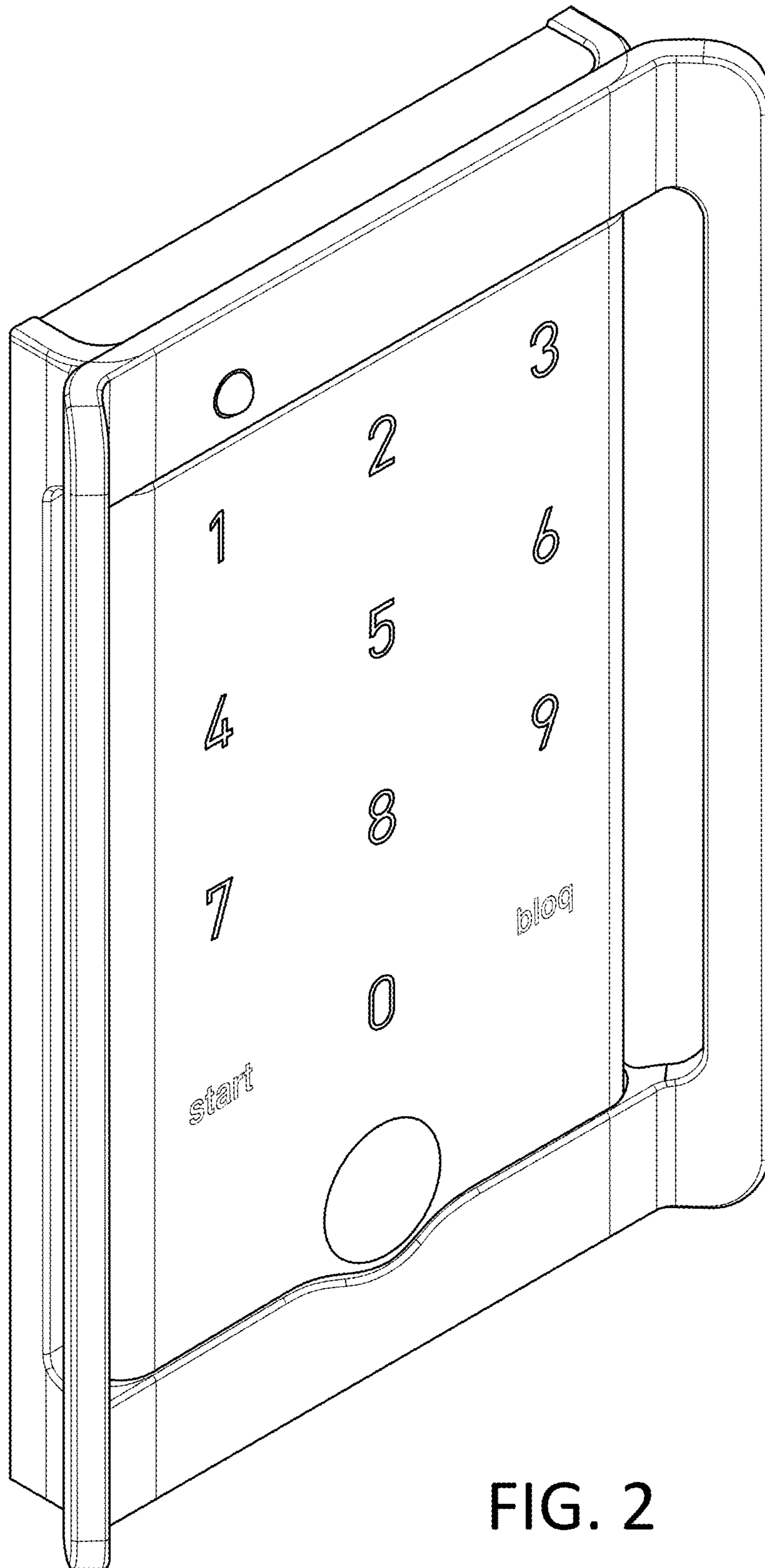


FIG. 2

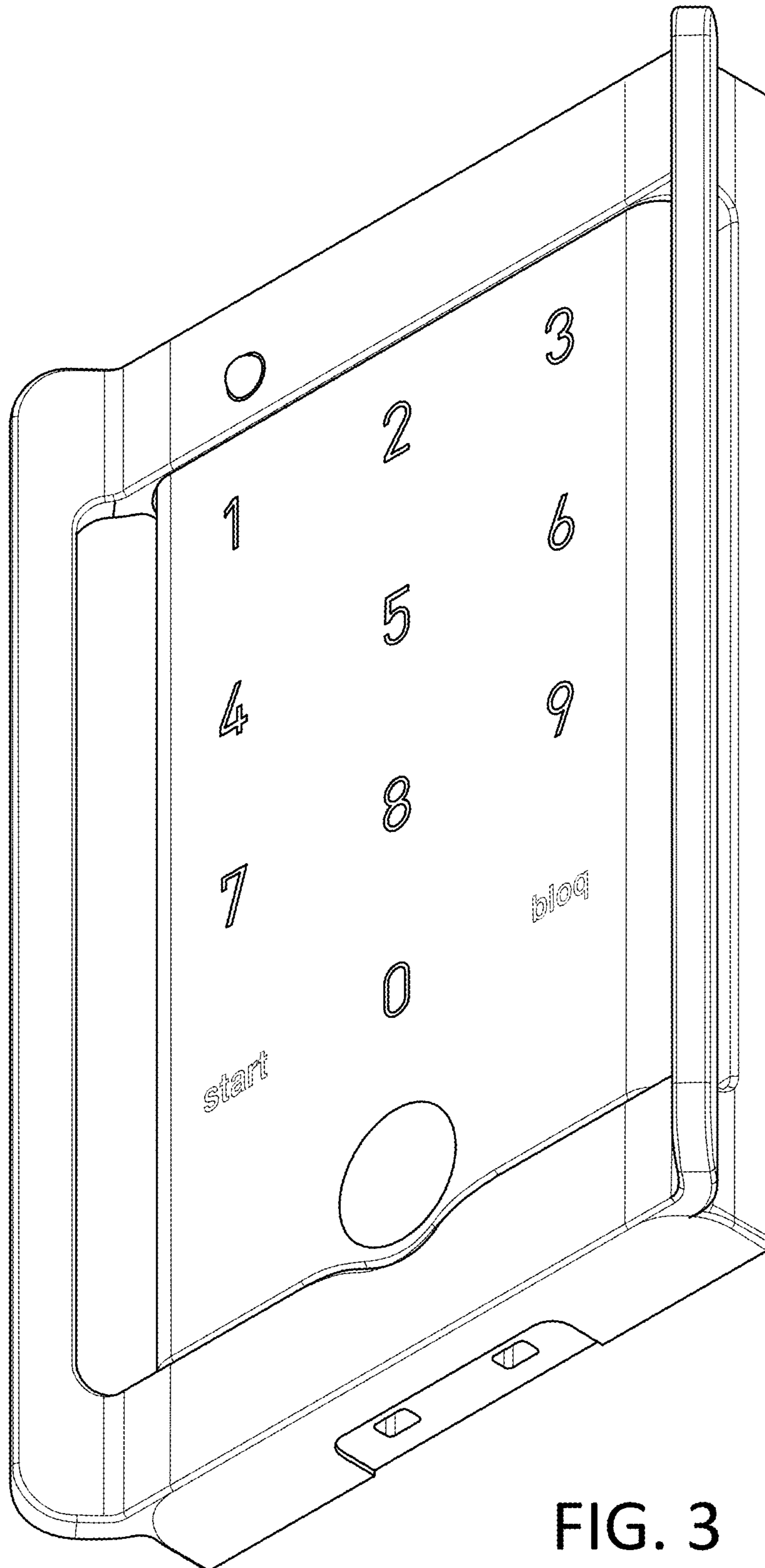


FIG. 3

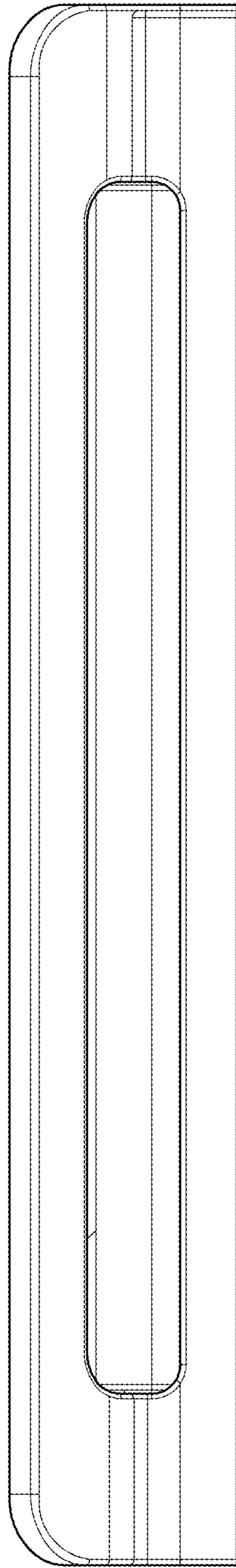


FIG. 4

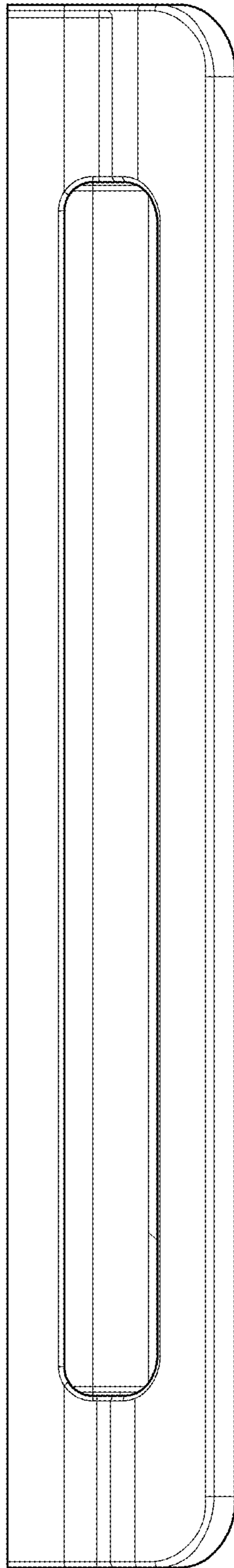


FIG. 5

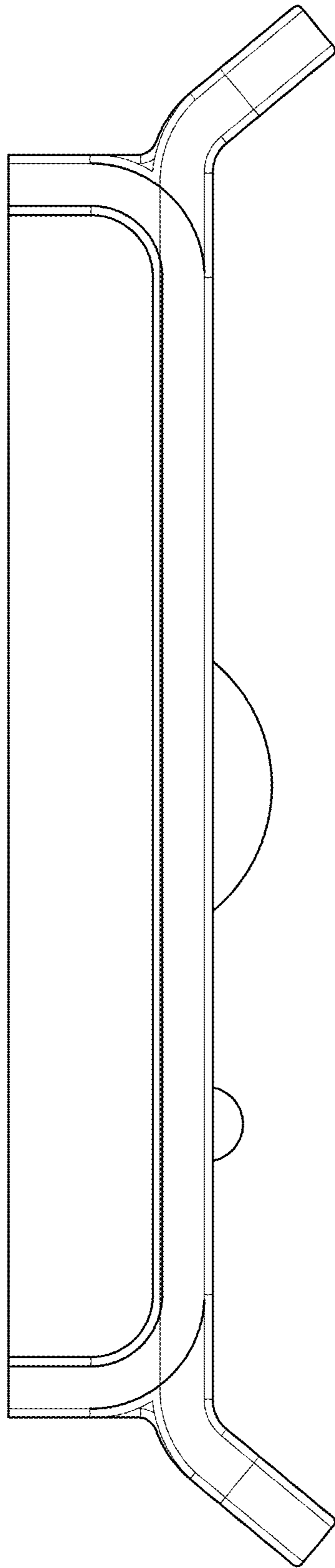


FIG. 6



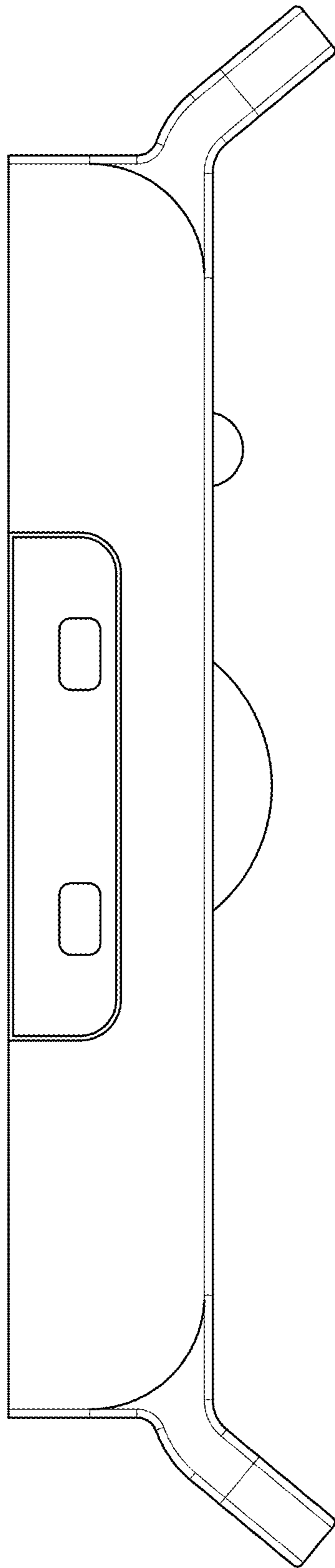


FIG. 7

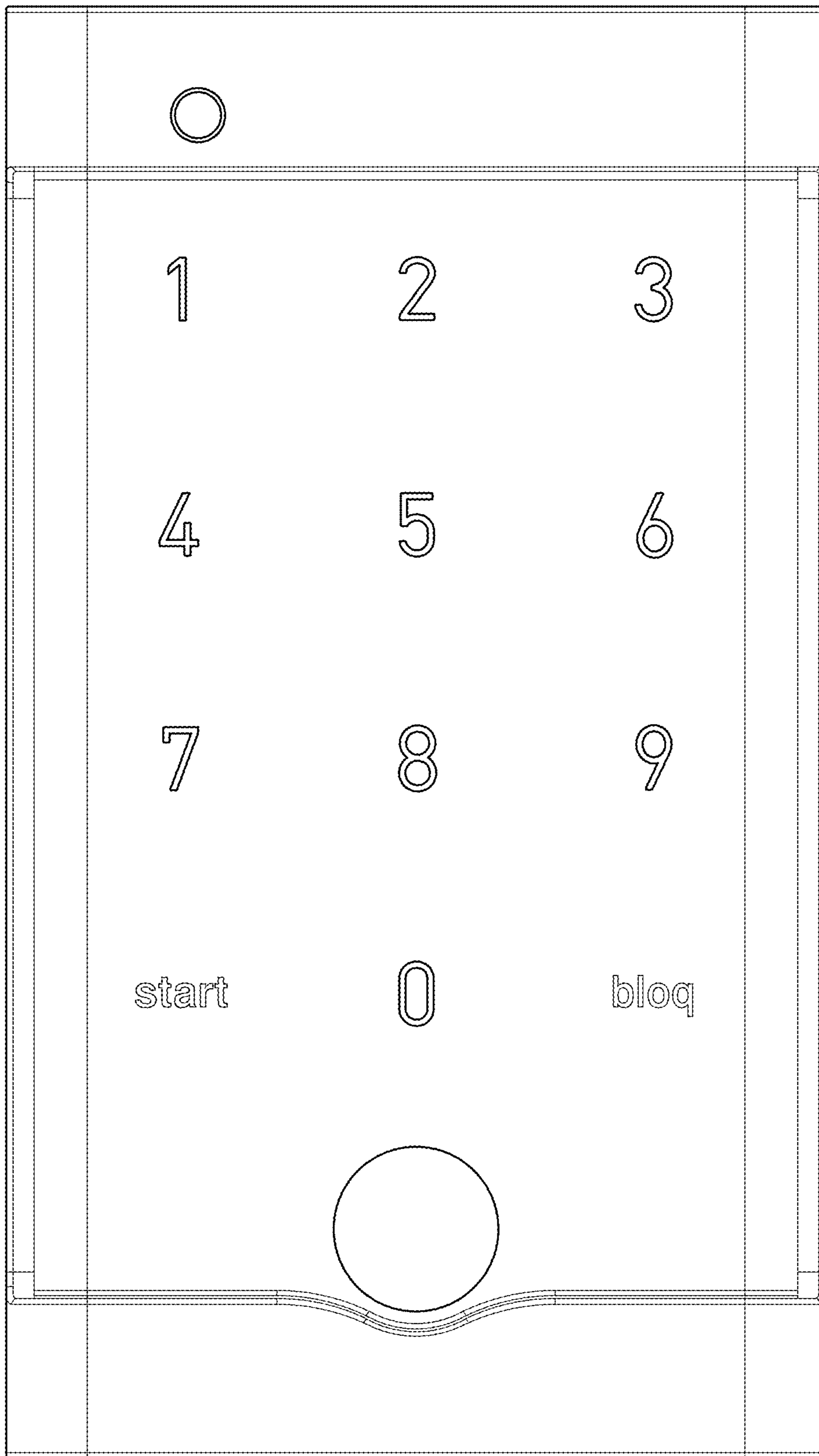


FIG. 8

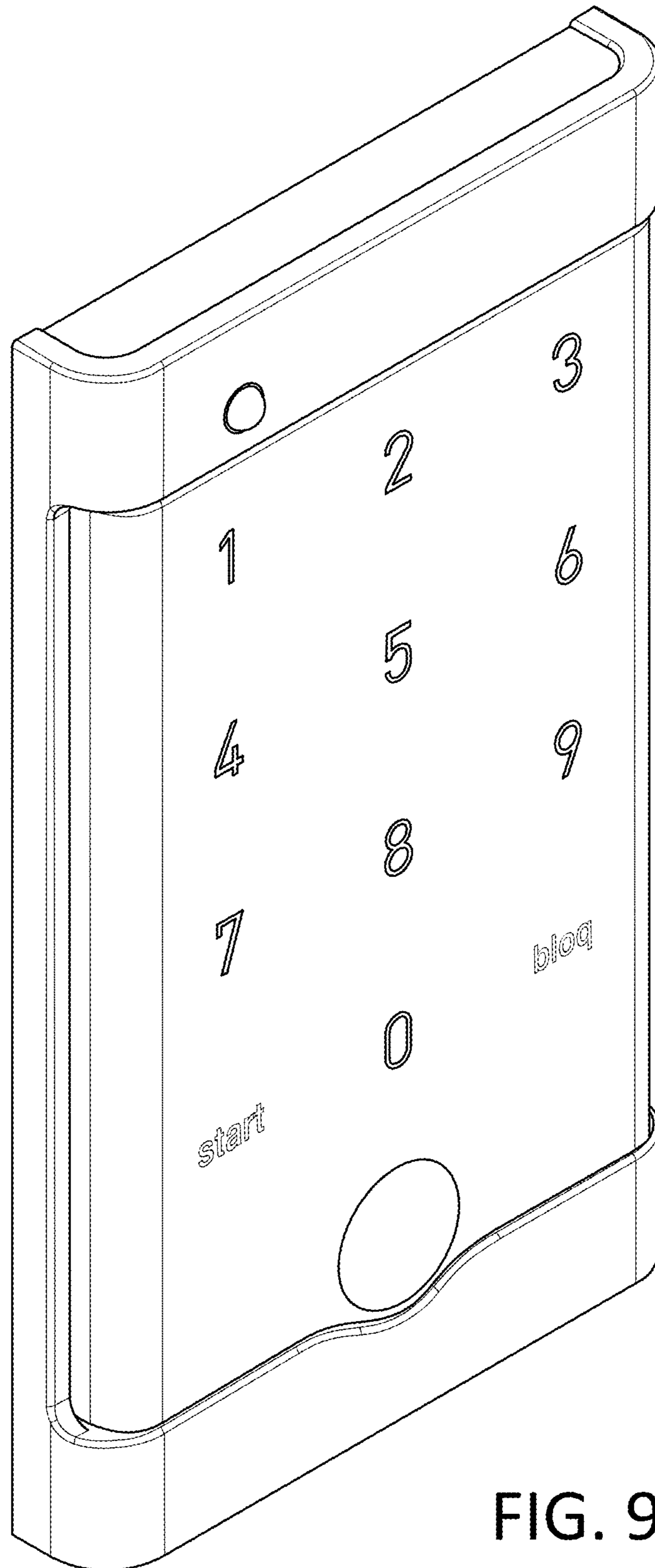


FIG. 9

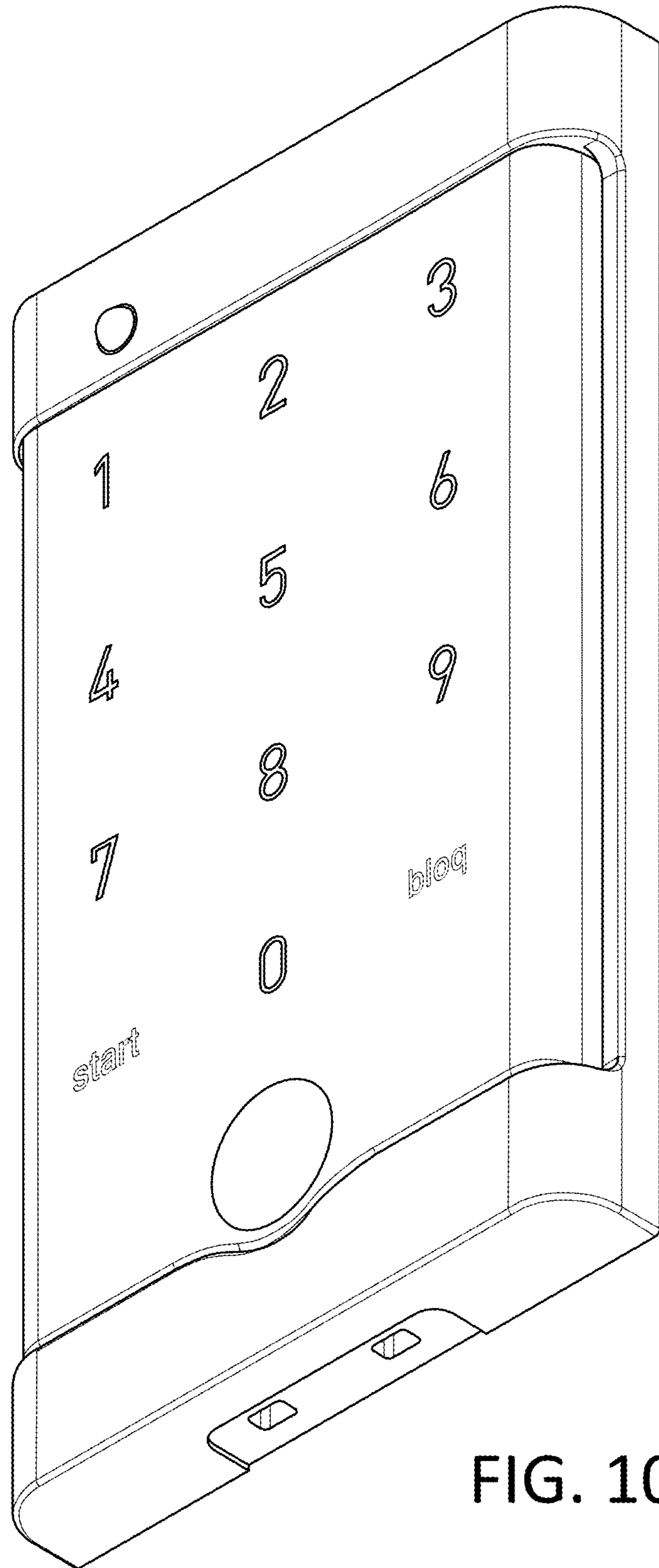


FIG. 10

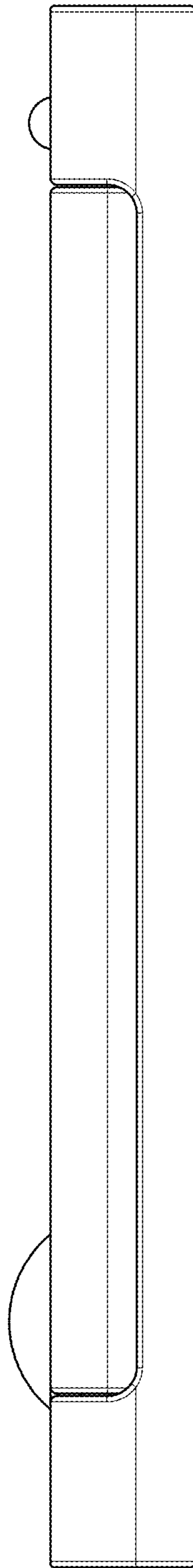


FIG. 11

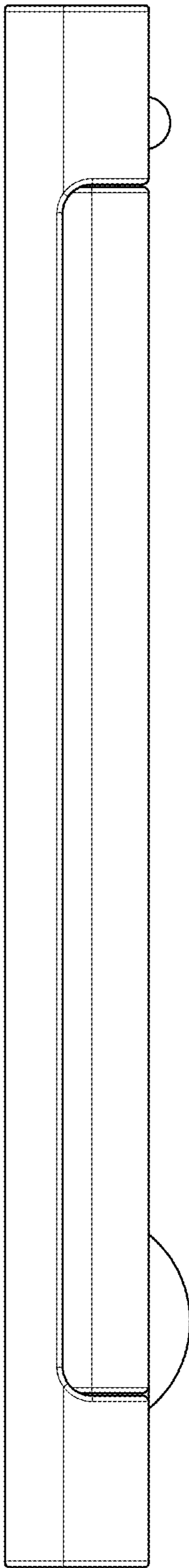


FIG. 12

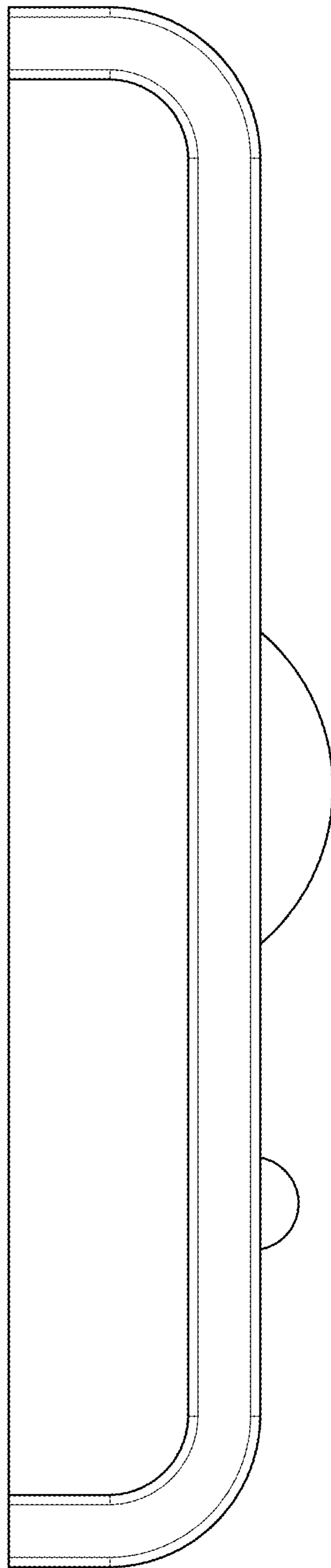


FIG. 13

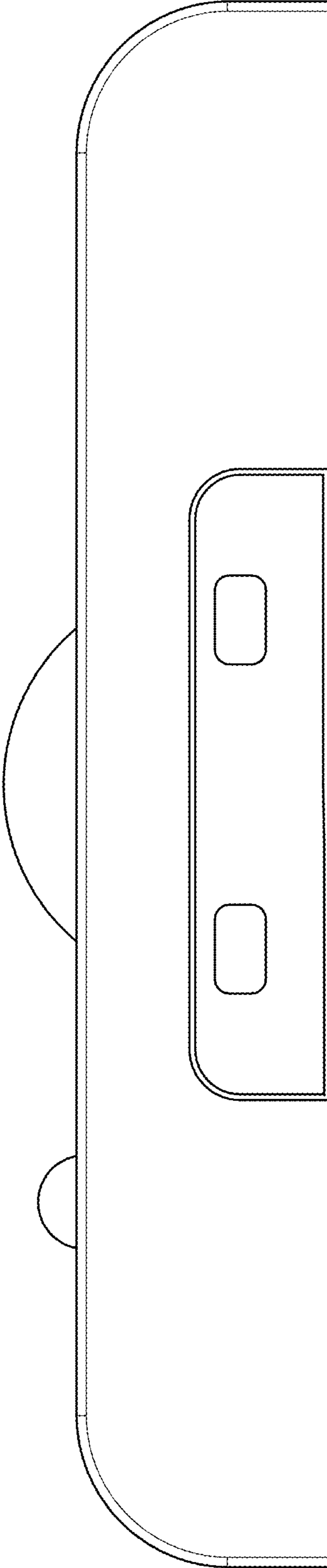


FIG. 14