



US00D941654S

(12) **United States Design Patent**
Chen

(10) **Patent No.:** **US D941,654 S**
(45) **Date of Patent:** **** Jan. 25, 2022**

(54) **FOLDING KNIFE WITH REPLACEABLE
BLADE**

(71) Applicant: **Yichun Chen**, Ningbo (CN)

(72) Inventor: **Yichun Chen**, Ningbo (CN)

(**) Term: **15 Years**

(21) Appl. No.: **29/756,500**

(22) Filed: **Oct. 29, 2020**

(51) **LOC (13) Cl.** **08-03**

(52) **U.S. Cl.**
USPC **D8/99**

(58) **Field of Classification Search**
USPC D8/98-100, 105; D22/118
CPC .. B26B 1/04; B26B 1/046; B26B 1/02; B26B
1/10; B26B 1/00

See application file for complete search history.

(56) **References Cited**

U.S. PATENT DOCUMENTS

D638,904 S *	5/2011	Freeman	D22/118
D747,637 S *	1/2016	Bloch	D8/99
D795,039 S	8/2017	Squiers et al.		
D795,040 S *	8/2017	Bloch	D8/99
D806,498 S *	1/2018	Bloch	D8/99
D807,143 S *	1/2018	Constantine	D8/99
D811,191 S *	2/2018	Berenji	D8/99
D843,808 S *	3/2019	Bloch	D8/99

D863,930 S *	10/2019	Chalfant	D8/99
D879,578 S	3/2020	Byron et al.		
D889,236 S	7/2020	Karacostas et al.		
D898,541 S *	10/2020	Chumchai	D8/99
D909,170 S *	2/2021	Bloch	D8/99
D926,552 S *	8/2021	Peng	D8/99

* cited by examiner

Primary Examiner — Michael A. Pratt

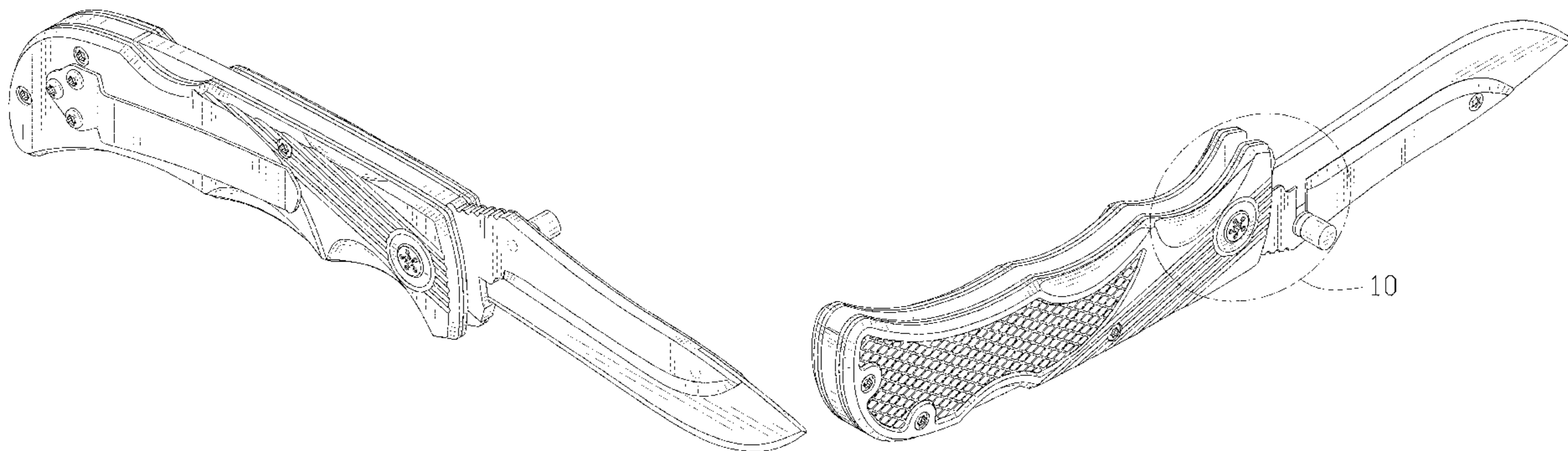
(57) **CLAIM**

The ornamental design for a folding knife with replaceable blade, as shown and described.

DESCRIPTION

FIG. 1 is a perspective view of a folding knife with replaceable blade, showing my new design;
 FIG. 2 is another perspective view thereof;
 FIG. 3 is a front elevational view thereof;
 FIG. 4 is a rear elevational view thereof;
 FIG. 5 is a left side elevational view thereof;
 FIG. 6 is a right side elevational view thereof;
 FIG. 7 is a top plan view thereof;
 FIG. 8 is a bottom plan view thereof;
 FIG. 9 is a cross-sectional view of the folding knife with replaceable blade of FIG. 2; and,
 FIG. 10 is an enlarged view of portion 10 shown in FIG. 2. The broken lines in the drawings depict portions of the folding knife with replaceable blade that form no part of the claimed design.

1 Claim, 10 Drawing Sheets



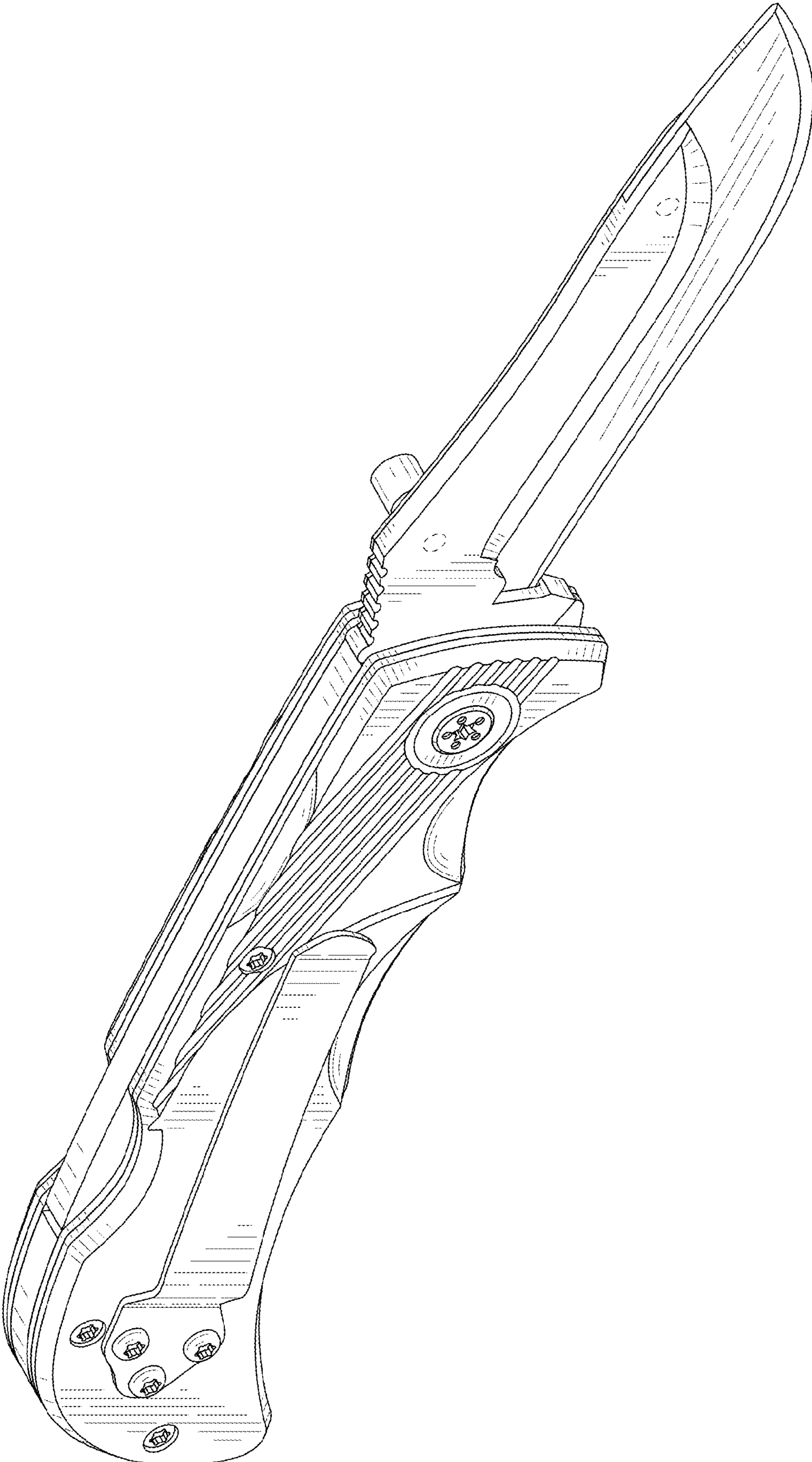


FIG. 1

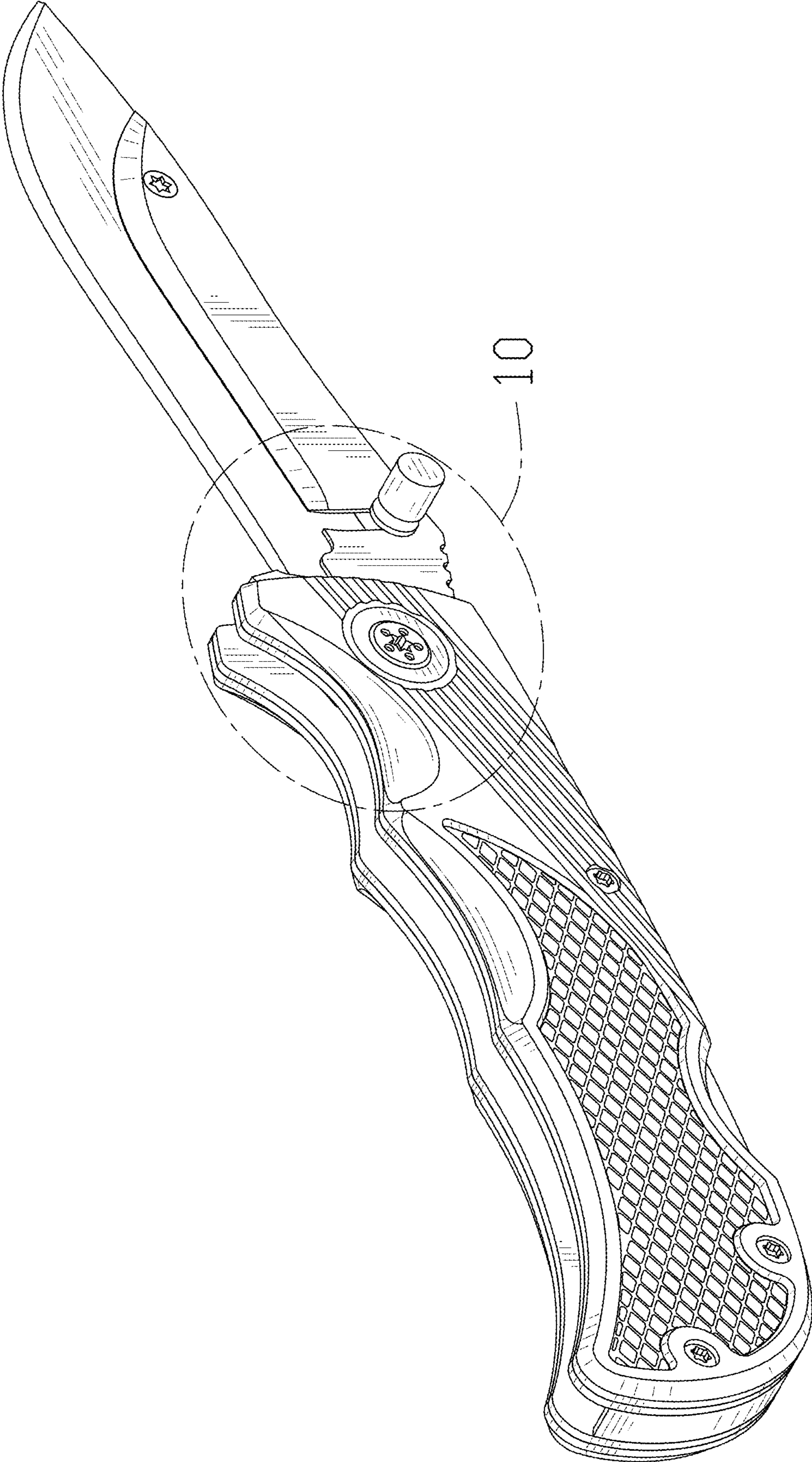


FIG. 2

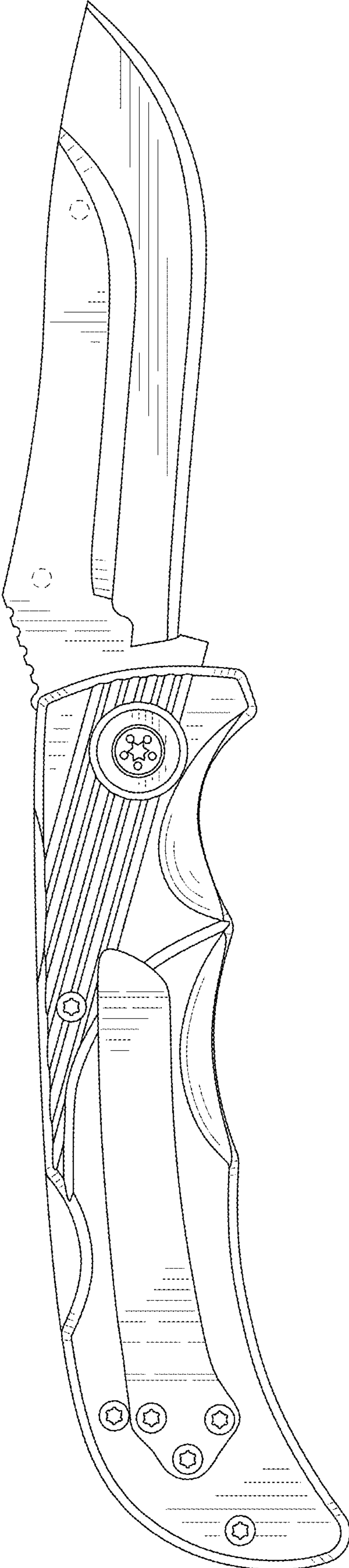


FIG. 3

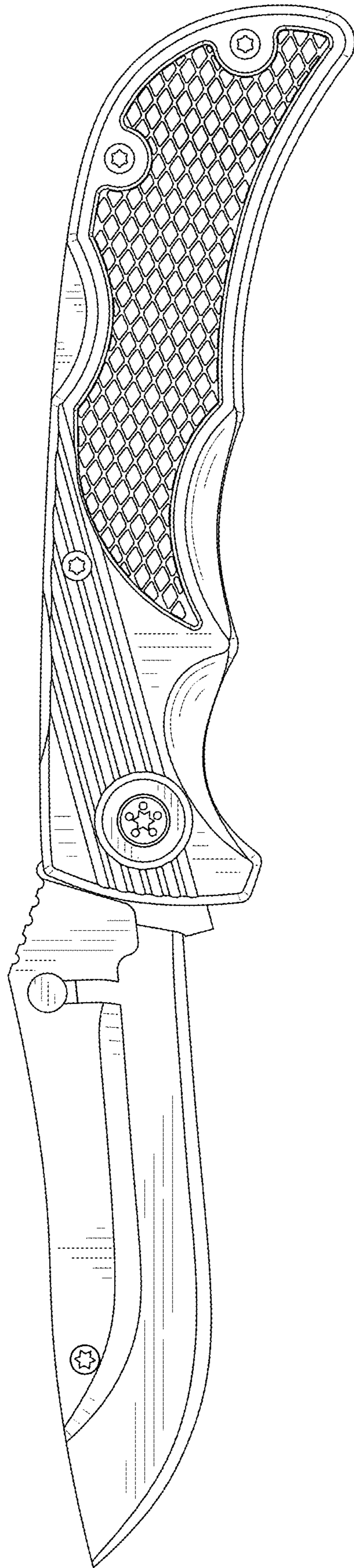


FIG. 4

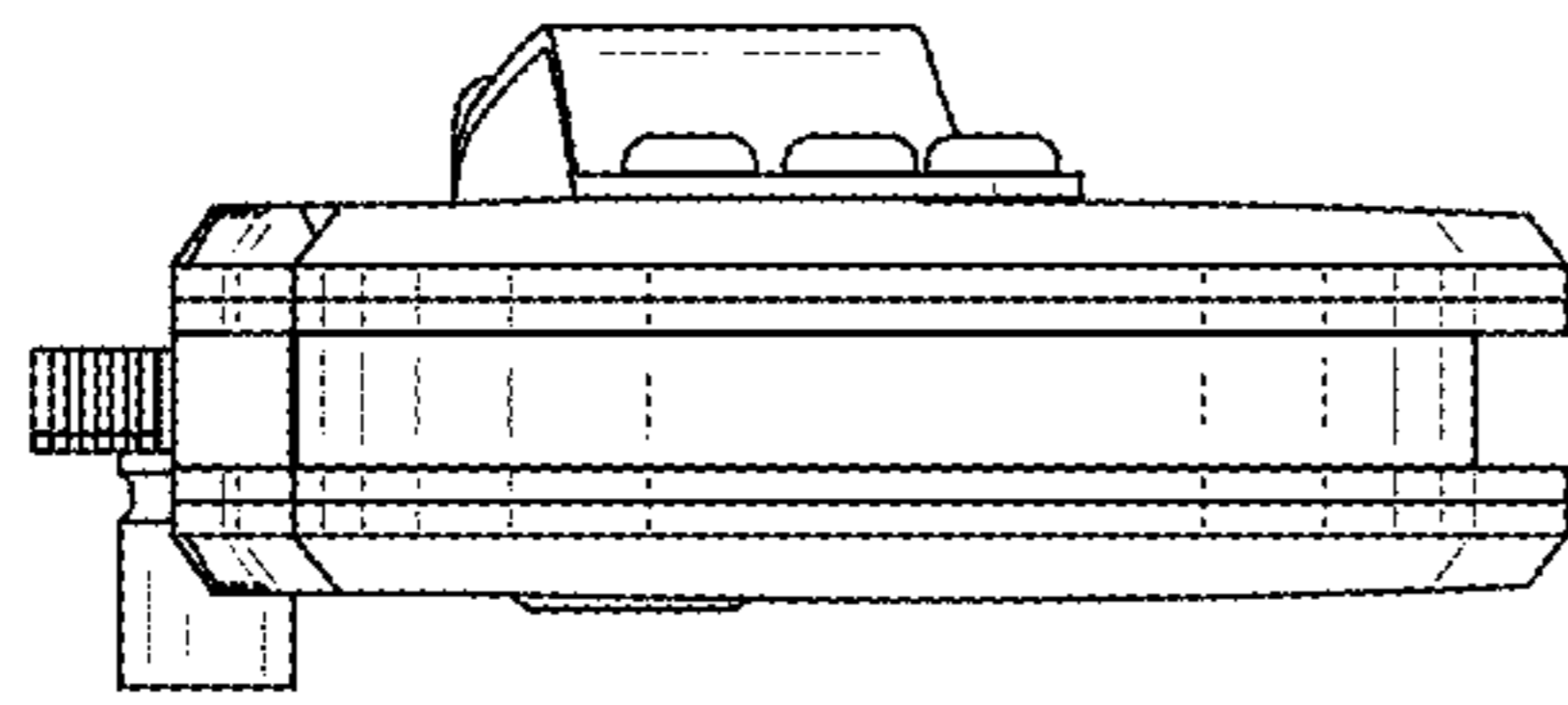


FIG. 5

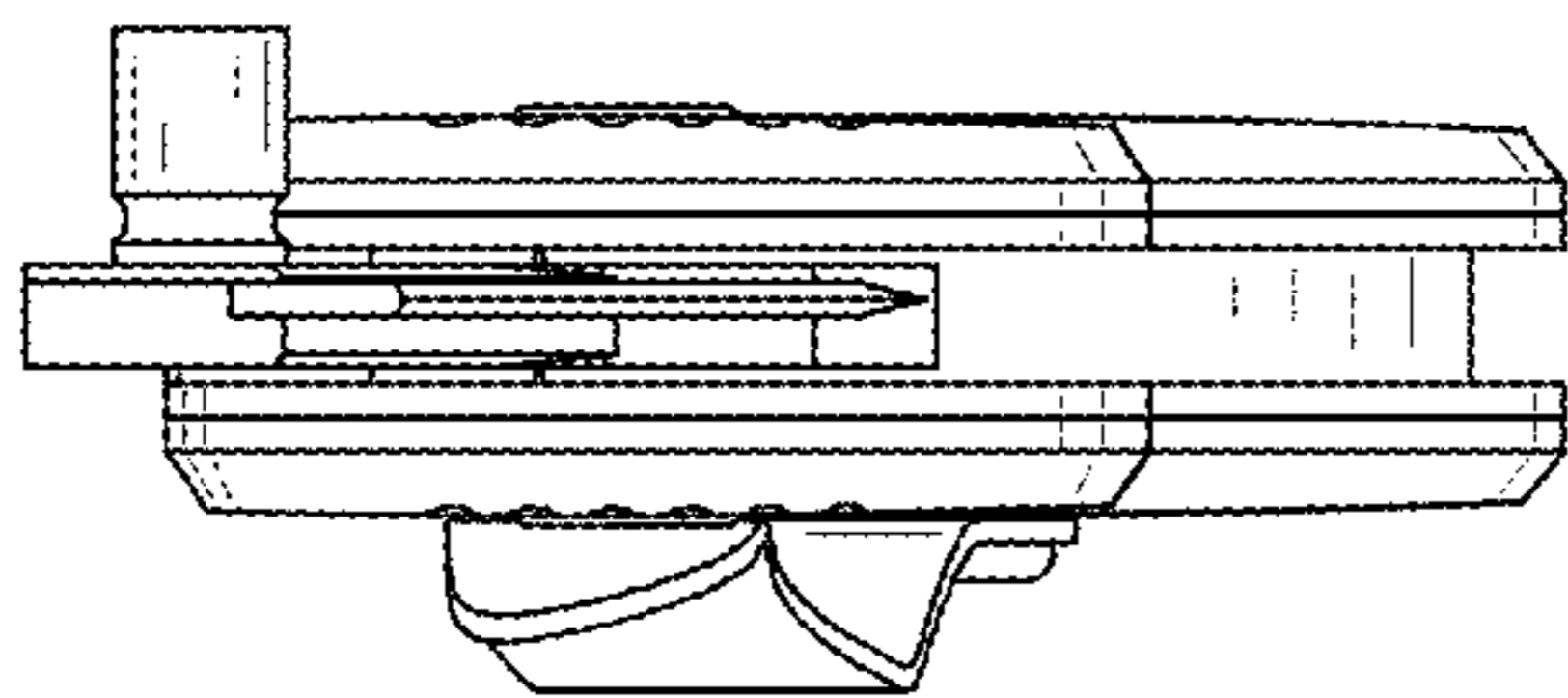


FIG. 6

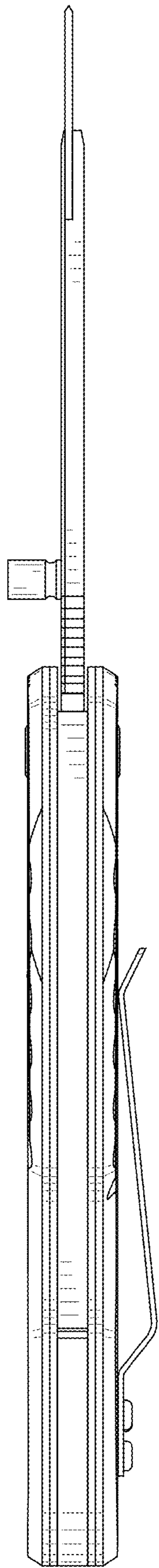


FIG. 7

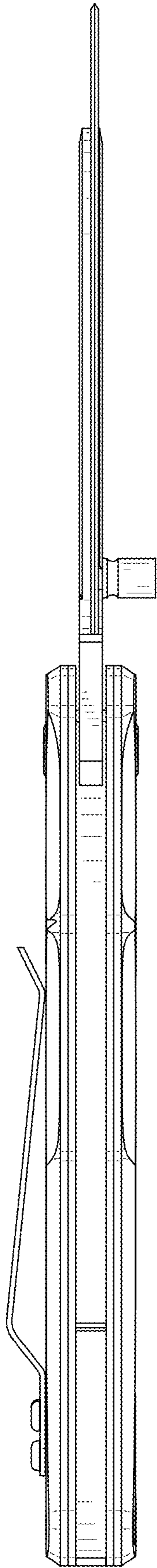


FIG. 8

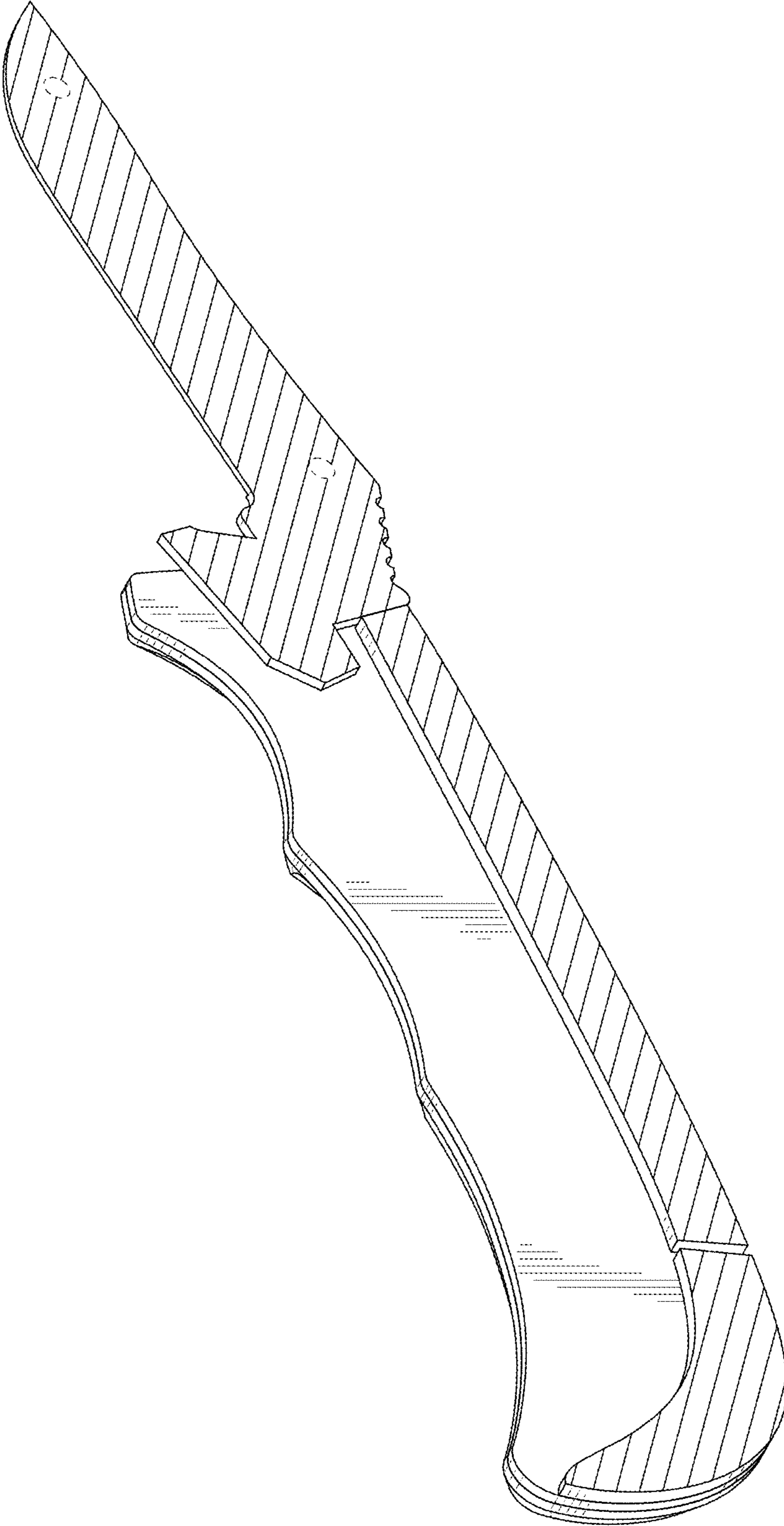


FIG. 9

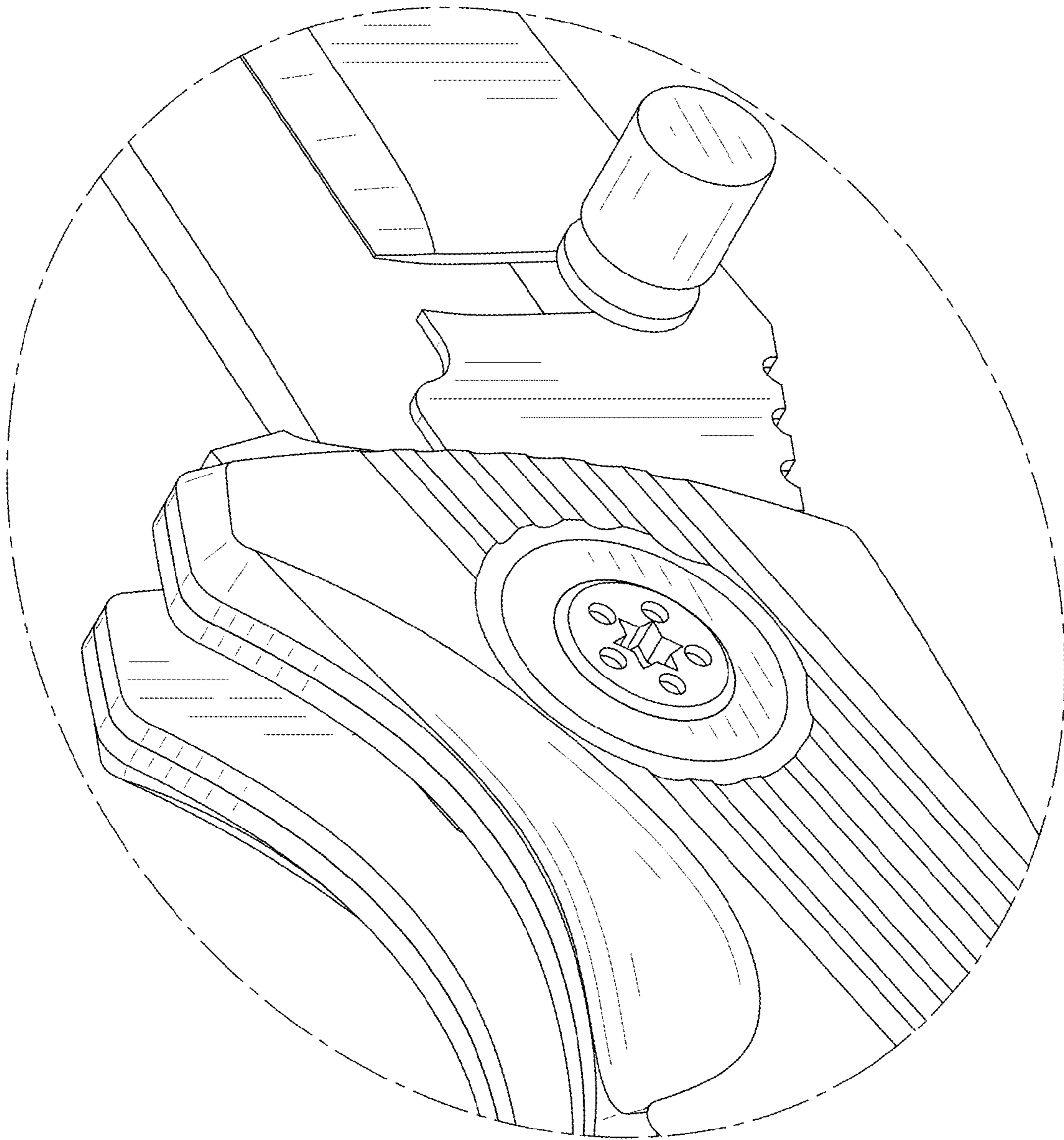


FIG. 10