



US00D941653S

(12) **United States Design Patent** (10) **Patent No.:** **US D941,653 S**
Scimone et al. (45) **Date of Patent:** **** Jan. 25, 2022**

(54) **DEBURRING TOOL**

(71) Applicant: **Slice, Inc.**, San Jose, CA (US)

(72) Inventors: **Thomas Scimone**, Campbell, CA (US);
Scot Herbst, Santa Cruz, CA (US);
Robert Joseph Gallegos, Fremont, CA (US);
William Whitfield Hunter, Santa Cruz, CA (US)

(73) Assignee: **Slice, Inc.**, Sunny Isles, FL (US)

(**) Term: **15 Years**

(21) Appl. No.: **29/734,768**

(22) Filed: **May 15, 2020**

(51) **LOC (13) Cl.** **08-05**

(52) **U.S. Cl.**
USPC **D8/90**; D8/91

(58) **Field of Classification Search**
USPC D8/14, 51, 91, 92, 93, 90, 98, 99, 105;
D28/59
CPC B24D 15/065; B24D 15/081; B26B 5/00;
B26B 1/10; B25G 1/04
See application file for complete search history.

(56) **References Cited**

U.S. PATENT DOCUMENTS

5,054,201	A *	10/1991	Andrews	B26B 5/00
					30/172
D333,081	S *	2/1993	Glesser	D8/91
D345,681	S *	4/1994	Bruzzi	D8/14
5,358,363	A *	10/1994	Robinson	B23B 51/101
					408/153
5,501,554	A *	3/1996	Robinson	B23B 51/101
					408/153
5,598,634	A *	2/1997	Berns	B25G 1/04
					30/340
5,647,132	A *	7/1997	Berns	B26B 5/00
					30/125
D387,262	S *	12/1997	Byers	D8/91
D389,716	S *	1/1998	Cohen	D8/91

(Continued)

Primary Examiner — Philip S Hyder

(74) *Attorney, Agent, or Firm* — Ellenoff Grossman & Schole LLP; James M. Smedley; Alex Korona

(57) **CLAIM**

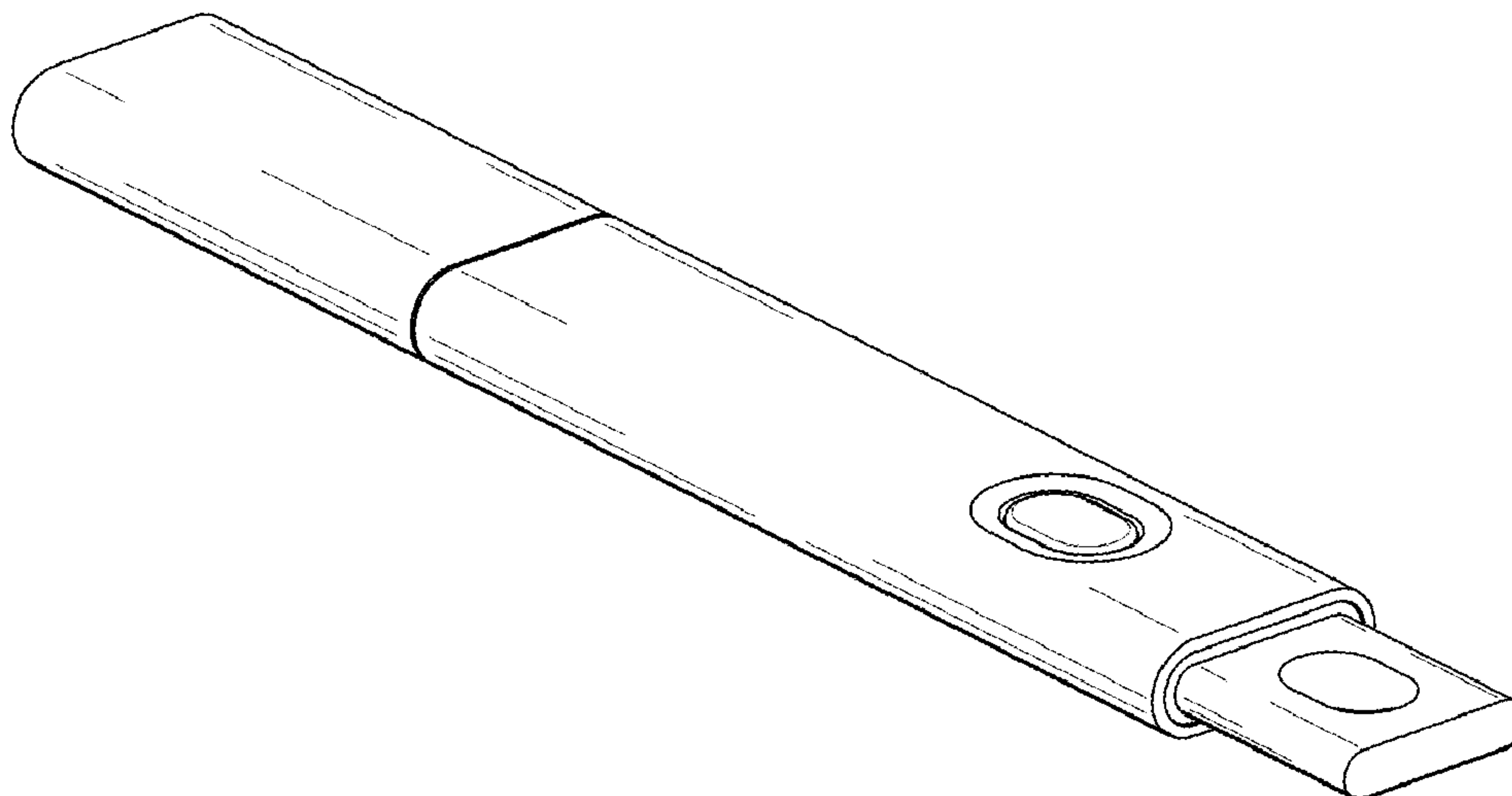
We claim the ornamental design for a deburring tool, as shown and described.

DESCRIPTION

FIG. 1 is a top front perspective view of a deburring tool, showing the new design;
 FIG. 2 is a top plan view thereof;
 FIG. 3 is a bottom plan view thereof;
 FIG. 4 is a front elevation view thereof, the rear elevation view being a mirror image;
 FIG. 5 is a right end elevation view thereof;
 FIG. 6 is a left end elevation view thereof;
 FIG. 7 is an exploded top plan view thereof;
 FIG. 8 is a top front perspective view of the deburring tool, wherein the cap is removed;
 FIG. 9 is a top plan view of FIG. 9;
 FIG. 10 is a bottom plan view of FIG. 9;
 FIG. 11 is a front elevation view of FIG. 9, the rear elevation view being a mirror image;
 FIG. 12 is a top rear perspective view of the blade holder portion of the deburring tool;
 FIG. 13 is a bottom front perspective of the blade holder portion;
 FIG. 14 is a bottom plan view of FIG. 12;
 FIG. 15 is a top plan view of FIG. 12;
 FIG. 16 is a left end elevation view of FIG. 12; and,
 FIG. 17 is a right end elevation view of FIG. 12.

The shading lines shown in the drawings represent the approximate three-dimensional contour of the design, and are not intended to indicate surface decoration.
 The broken lines shown in the drawings illustrate portions of the deburring tool that form no part of claimed design.

1 Claim, 4 Drawing Sheets



(56)

References Cited

U.S. PATENT DOCUMENTS

D548,359 S * 8/2007 Illein D24/223
D631,319 S * 1/2011 Davis D8/88
D922,608 S * 6/2021 Laverack D24/223

* cited by examiner

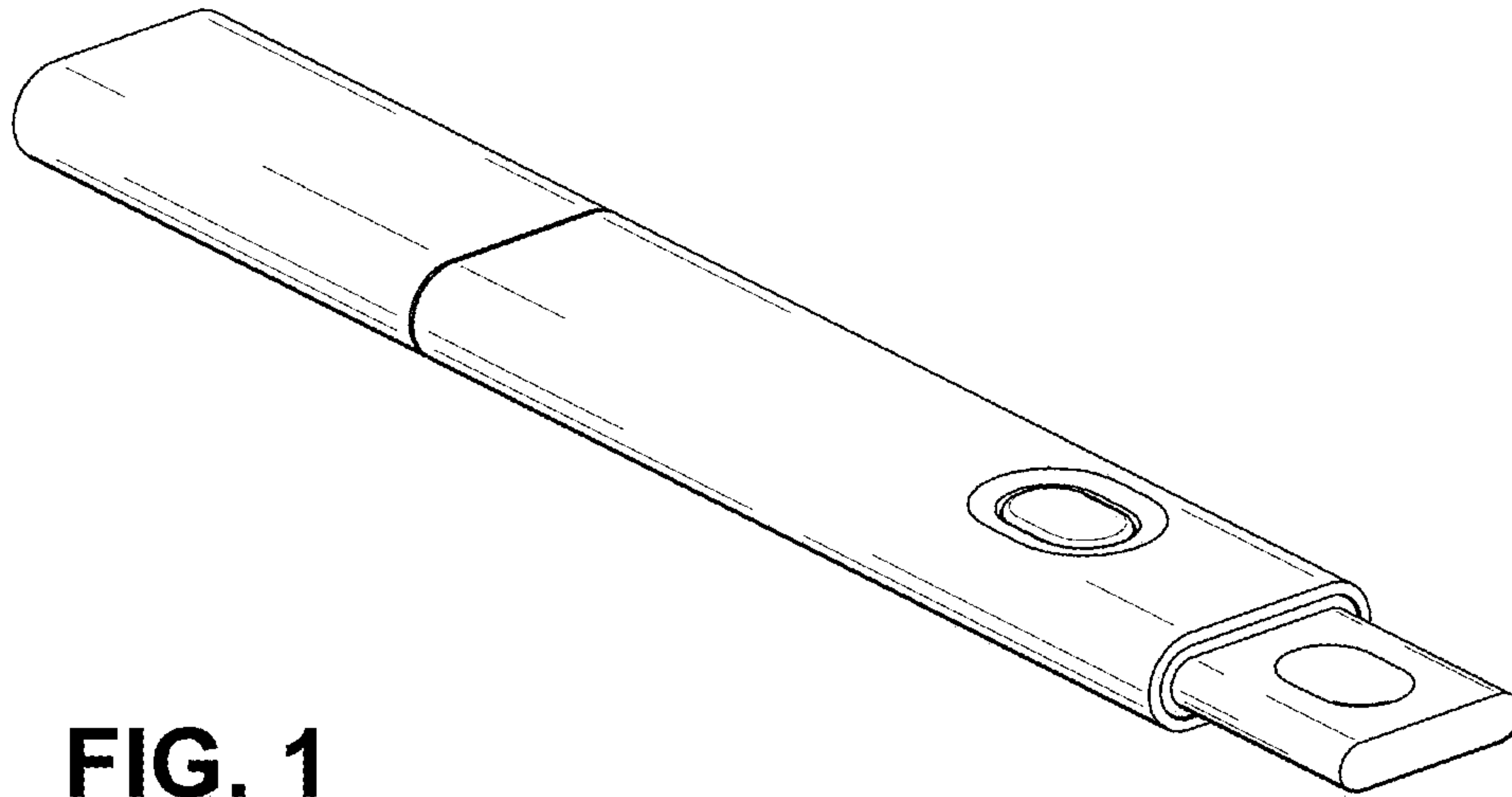


FIG. 1

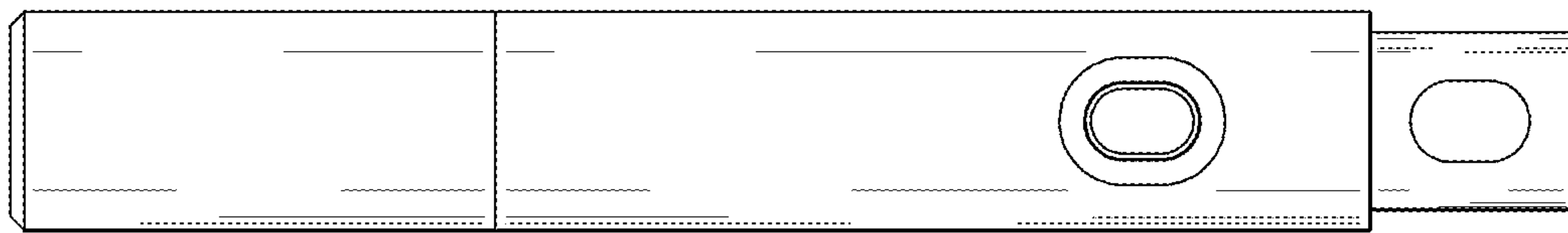


FIG. 2

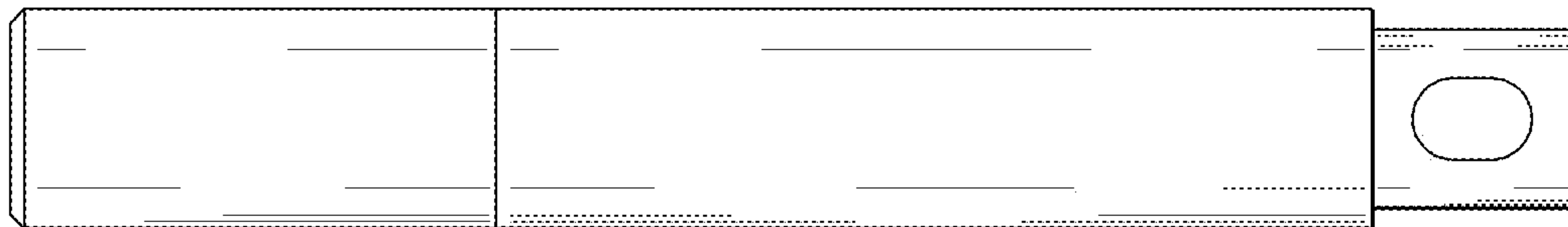


FIG. 3



FIG. 4

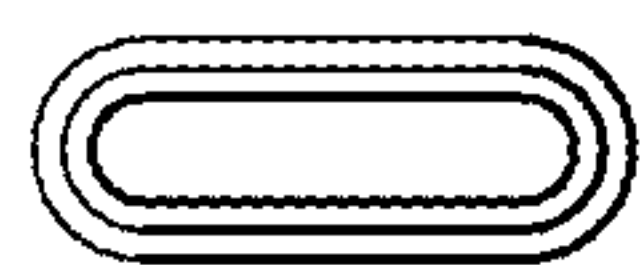


FIG. 5

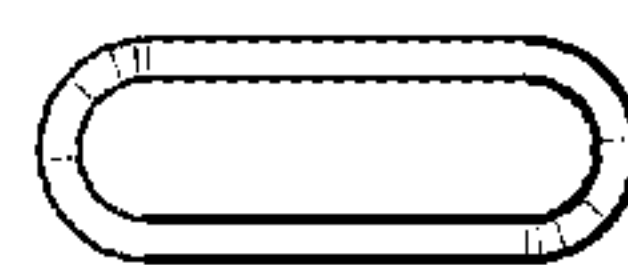


FIG. 6

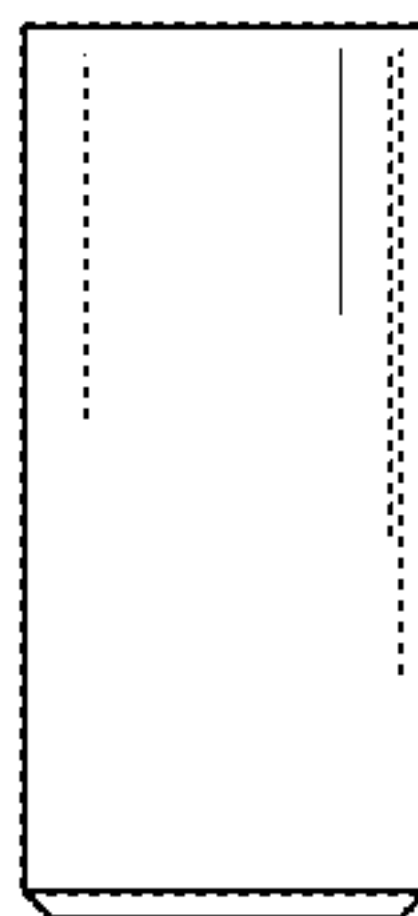
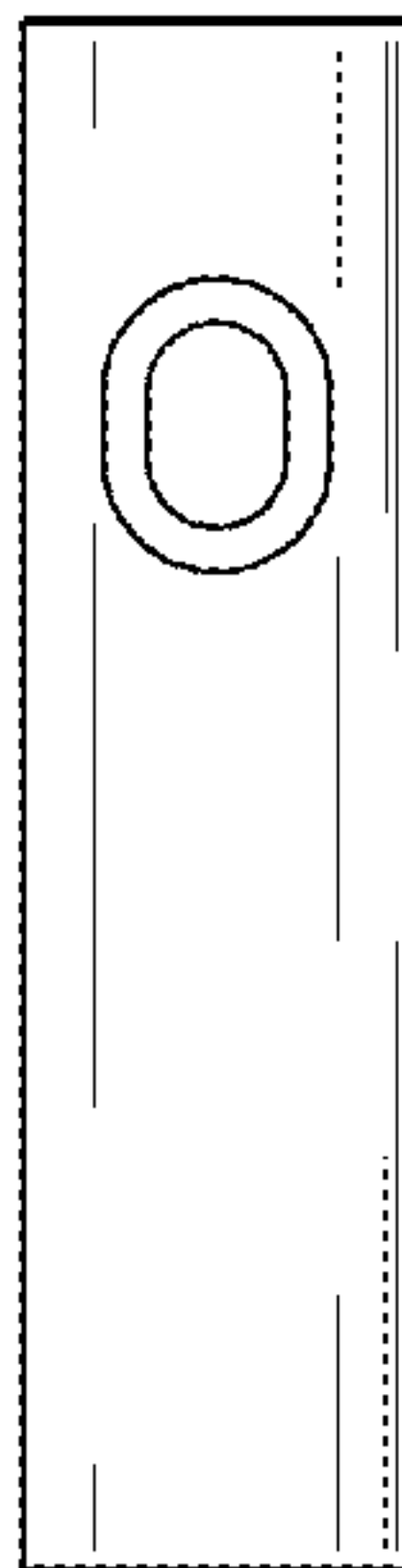
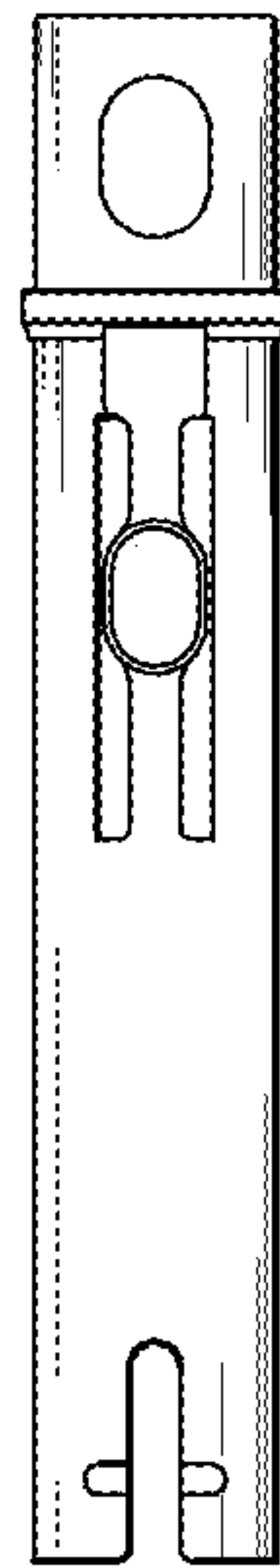


FIG. 7

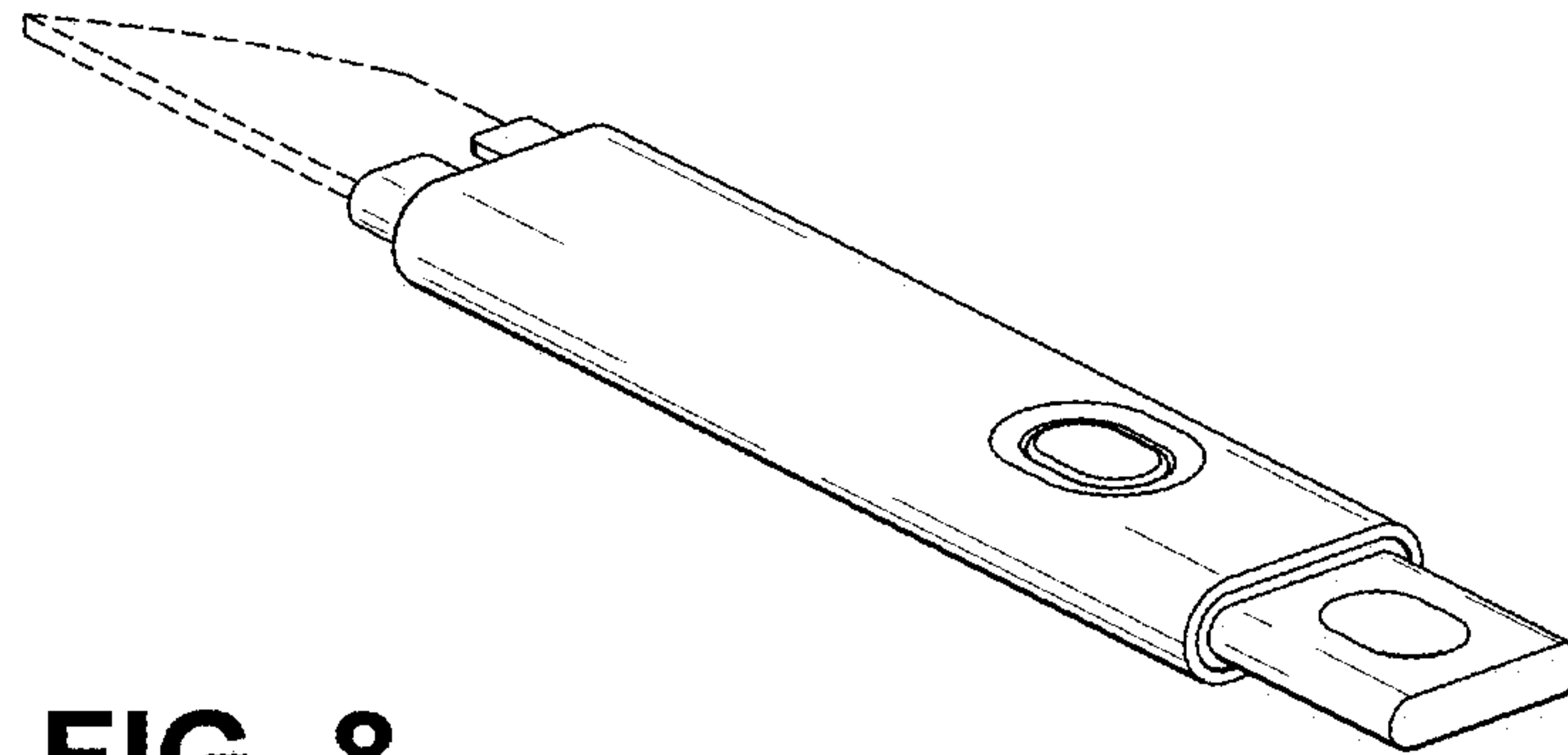


FIG. 8

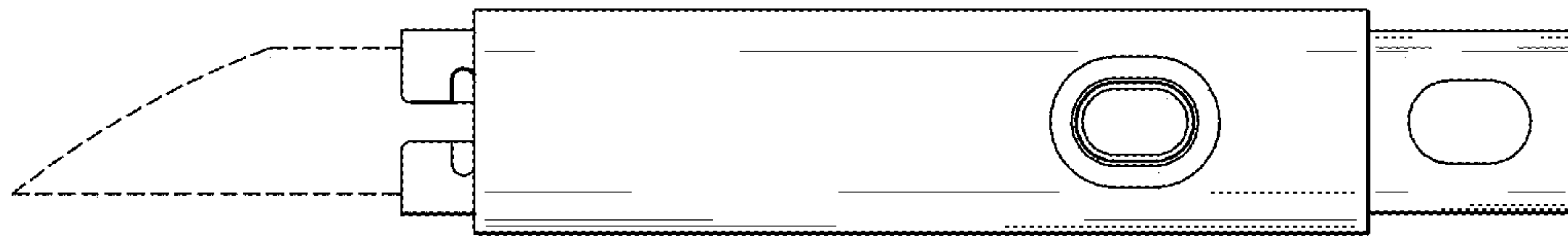


FIG. 9

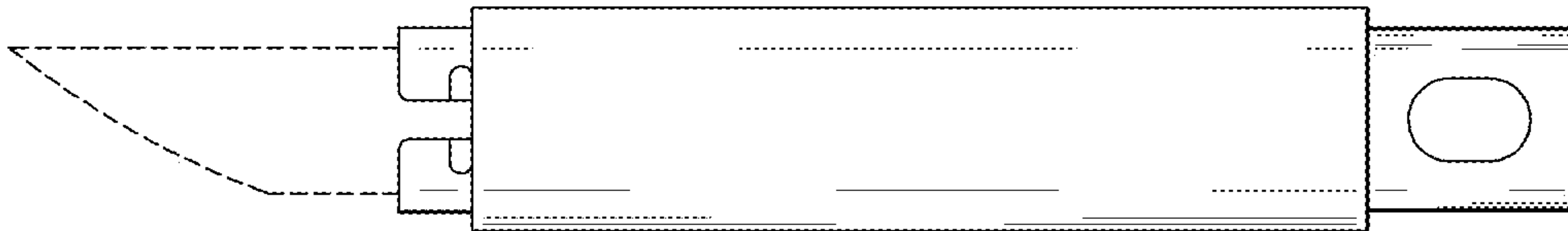


FIG. 10



FIG. 11

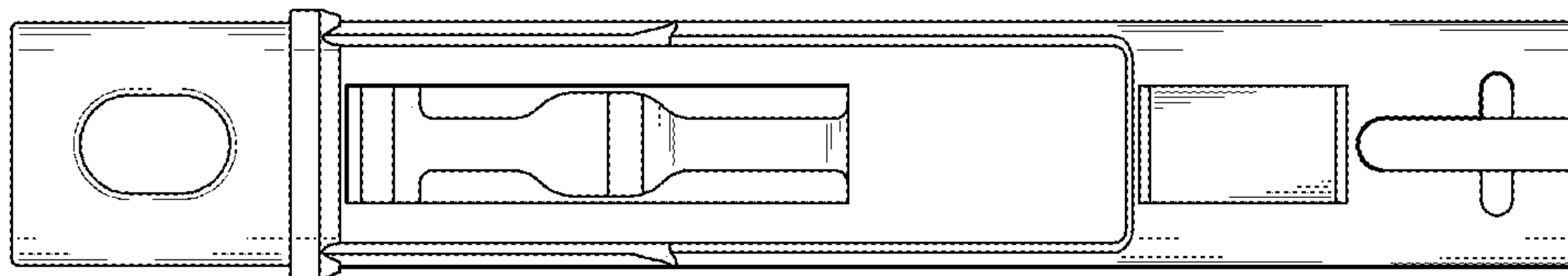
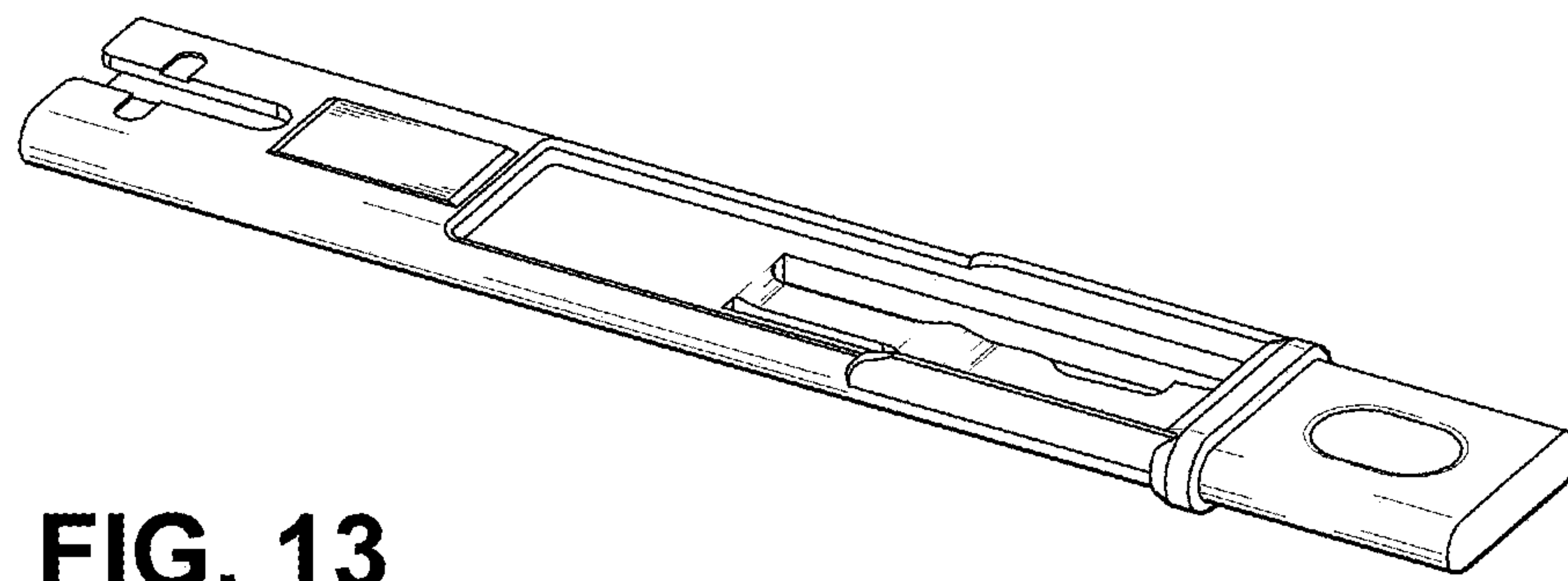
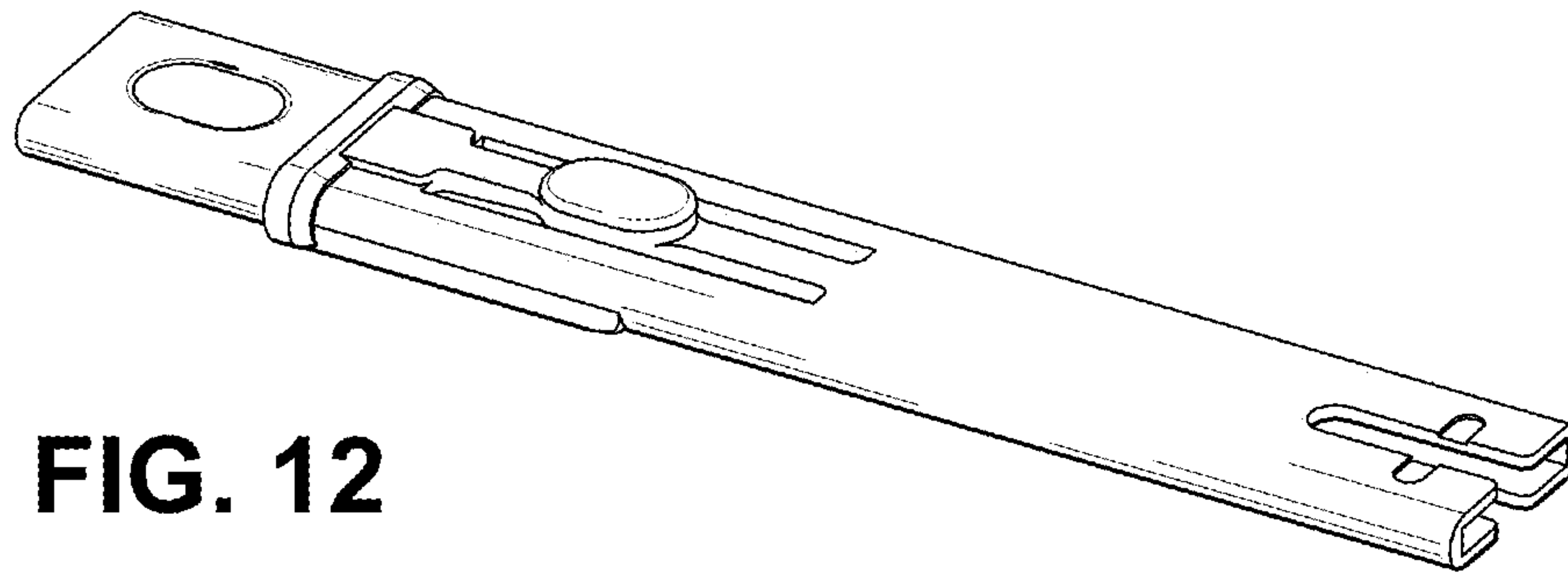


FIG. 14

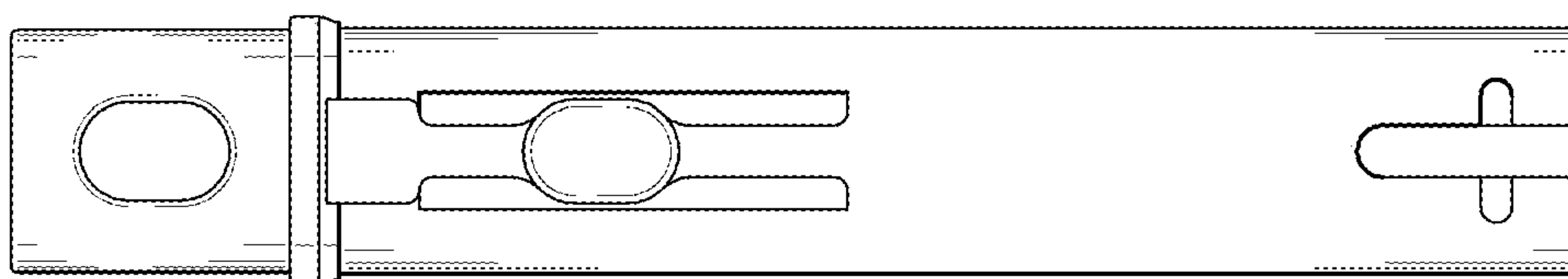


FIG. 15

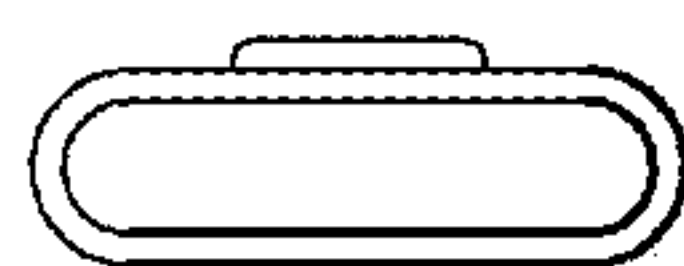


FIG. 16

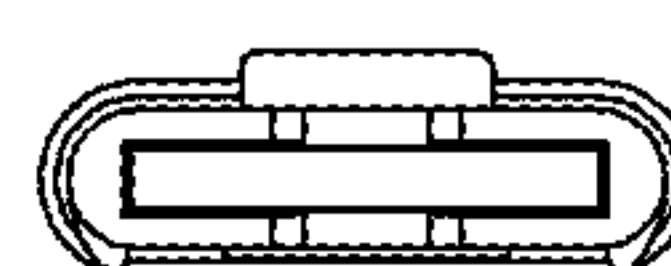


FIG. 17