



US00D941652S

(12) **United States Design Patent**  
**Hironaga**

(10) **Patent No.:** **US D941,652 S**

(45) **Date of Patent:** **\*\* Jan. 25, 2022**

(54) **GROUND STAKE PULLER**

(71) Applicant: **Glenn Hironaga**, Honolulu, HI (US)

(72) Inventor: **Glenn Hironaga**, Honolulu, HI (US)

(\*\*) Term: **15 Years**

(21) Appl. No.: **29/766,900**

(22) Filed: **Jan. 19, 2021**

(51) **LOC (13) Cl.** ..... **08-05**

(52) **U.S. Cl.**  
USPC ..... **D8/88**; D8/14

(58) **Field of Classification Search**  
USPC ..... D8/14, 17, 19, 88, 89, 105  
CPC ..... B66F 15/00; B26C 11/00; E04H 12/2215  
See application file for complete search history.

(56) **References Cited**

U.S. PATENT DOCUMENTS

4,009,743	A *	3/1977	Ackerman	.....	B25C 11/00
					81/45
5,345,664	A *	9/1994	McMahon	.....	B25B 27/0035
					29/227
5,597,151	A *	1/1997	Duncan	.....	B25B 27/02
					254/131
D436,823	S *	1/2001	Wensch	.....	D8/14
D471,071	S *	3/2003	Richards	.....	D8/14
6,804,869	B1 *	10/2004	Tong	.....	B25B 9/02
					29/426.1
6,910,664	B2 *	6/2005	Bolinder	.....	E04H 12/2215
					248/156
7,040,602	B1 *	5/2006	Williams	.....	E04H 17/265
					254/30

D549,541	S *	8/2007	Hyslop	.....	D8/89
D579,739	S *	11/2008	Barone	.....	D8/14
D631,319	S *	1/2011	Davis	.....	D8/88
8,201,808	B1 *	6/2012	Busalacchi	.....	B25C 11/00
					254/132
D741,672	S *	10/2015	Bryant	.....	D8/14
2008/0315165	A1 *	12/2008	Prater	.....	B25B 27/00
					254/25
2013/0086845	A1 *	4/2013	High	.....	E05F 9/00
					49/506

\* cited by examiner

*Primary Examiner* — Philip S Hyder

(74) *Attorney, Agent, or Firm* — James A. Italia; Italia IP

(57) **CLAIM**

The ornamental design for a ground stake puller, as shown and described.

**DESCRIPTION**

FIG. 1 is a top plan view of the ground stake puller showing my new design;

FIG. 2 is a bottom plan view thereof;

FIG. 3 is a front view thereof;

FIG. 4 is a rear view thereof;

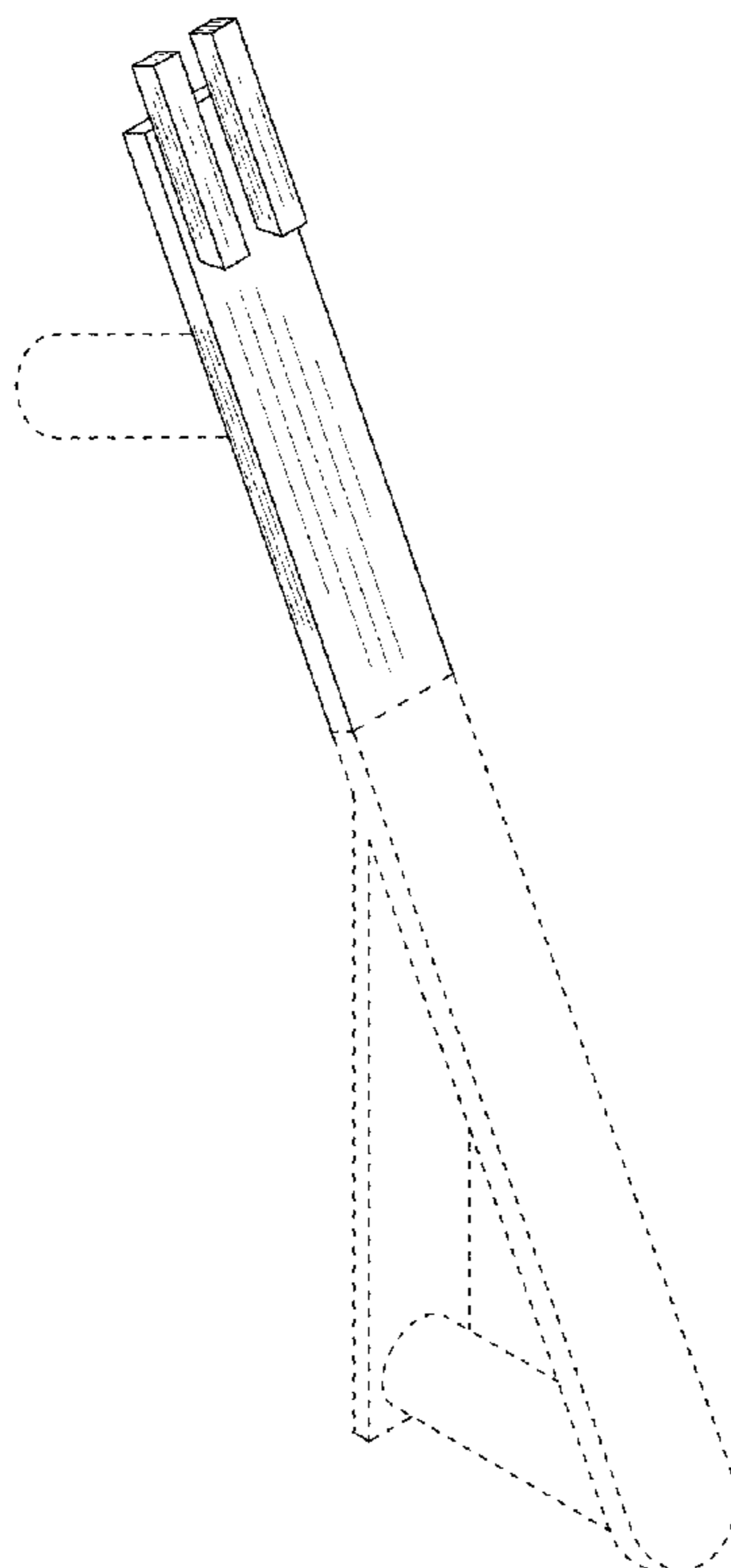
FIG. 5 is a left side view thereof;

FIG. 6 is a right side view thereof; and,

FIG. 7 is a perspective view thereof.

The broken lines depict portions of the ground stake puller in which the design is embodied that form no part of the claimed design. The surface shading illustrated in the drawings is provided merely to describe the form of the design; it is not intended to be illustrative of texture or gloss.

**1 Claim, 7 Drawing Sheets**



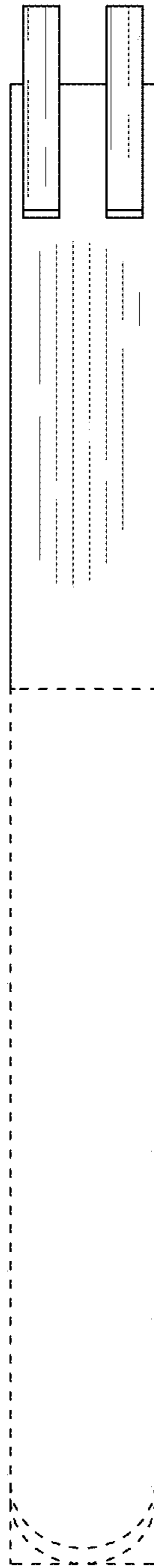


FIG. 1

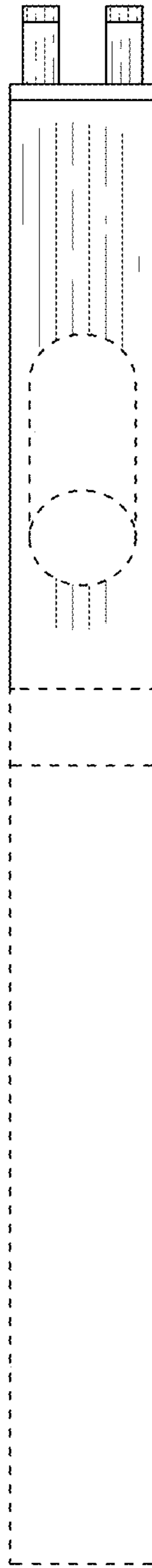


FIG. 2

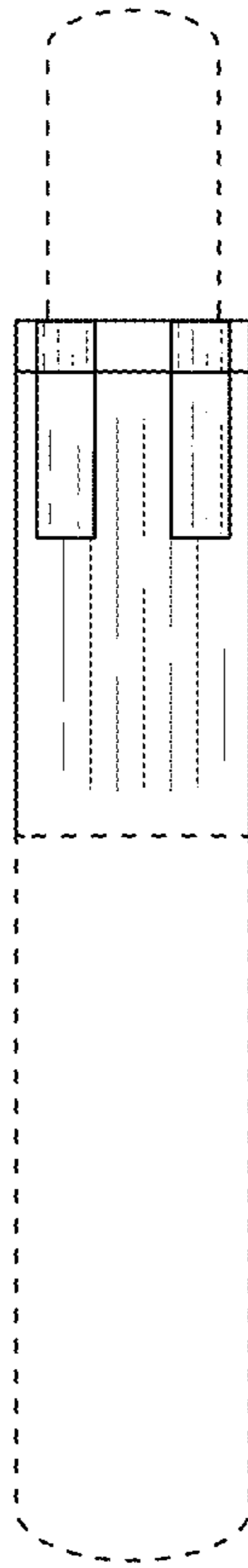


FIG. 3

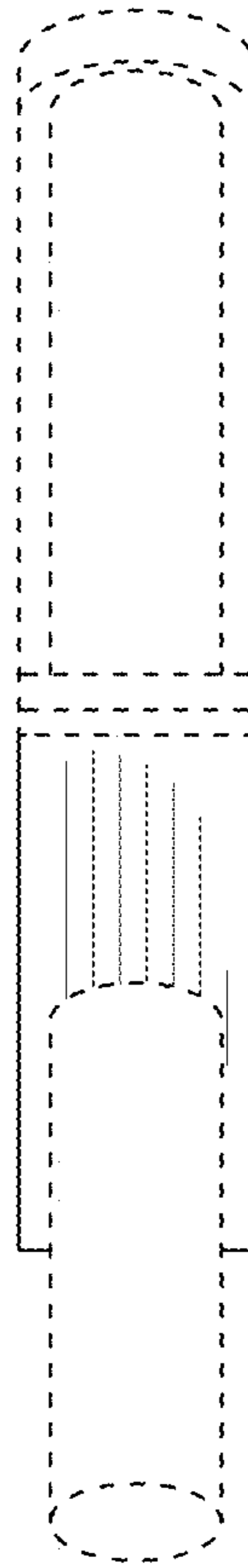


FIG. 4

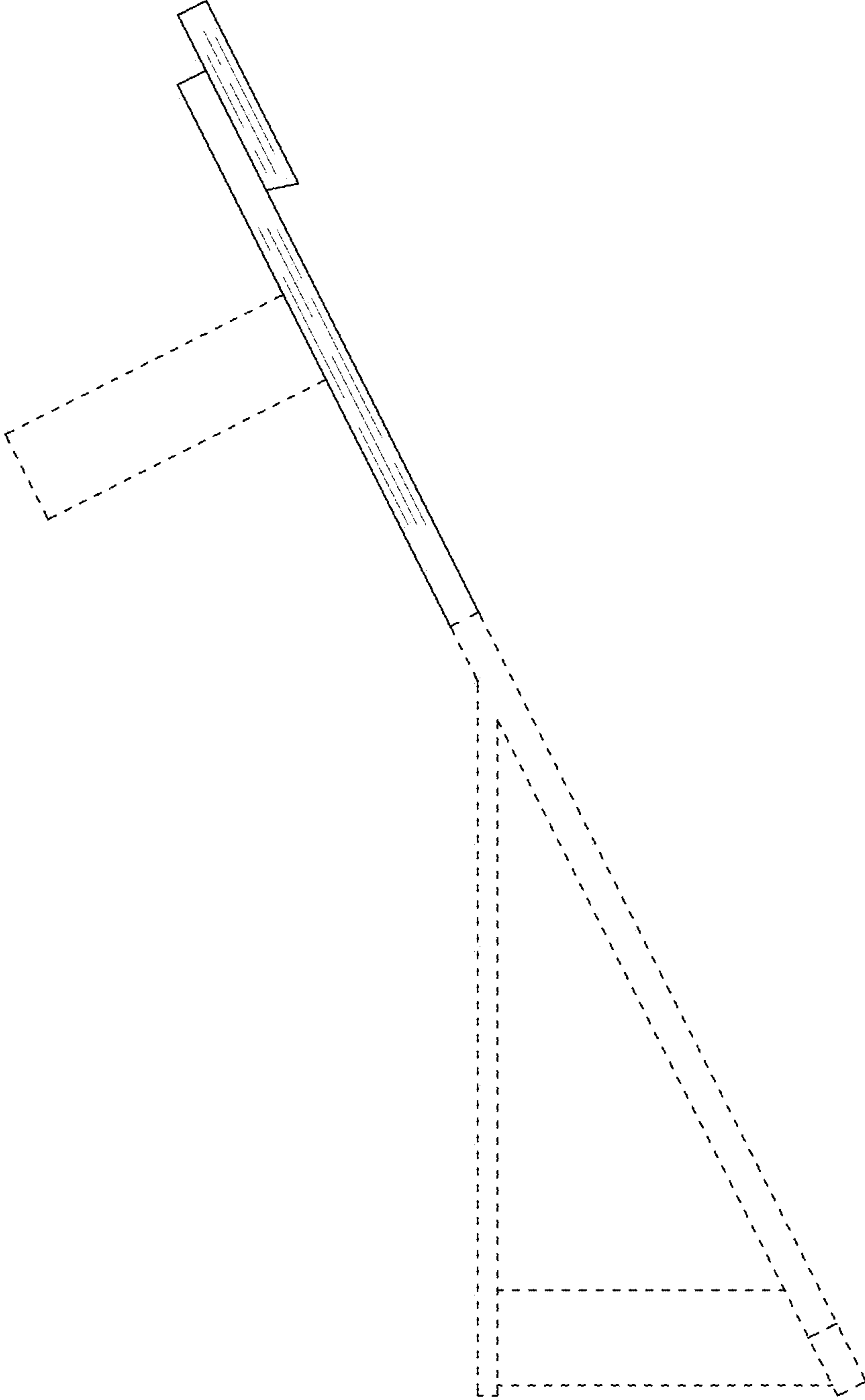


FIG. 5

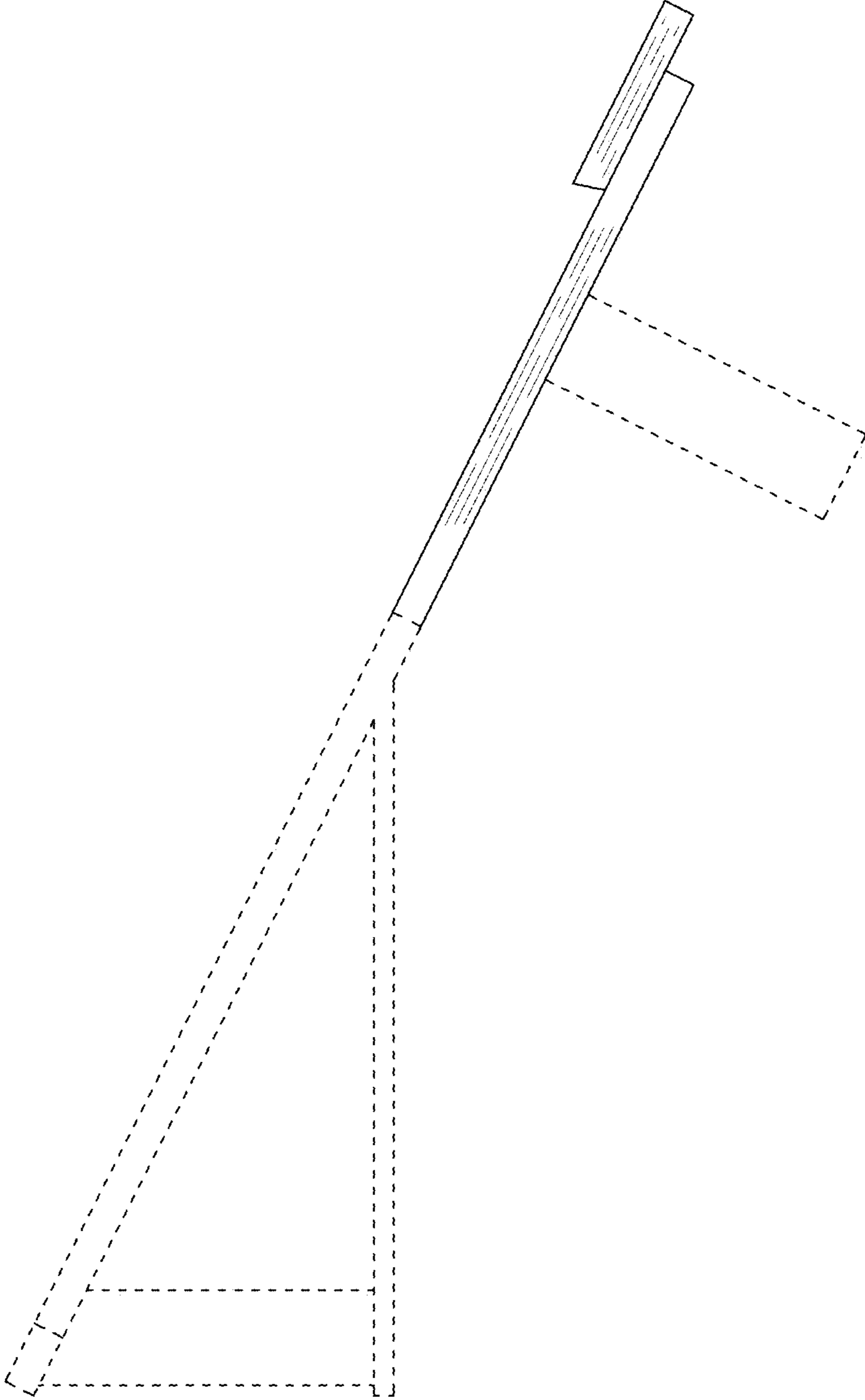


FIG. 6

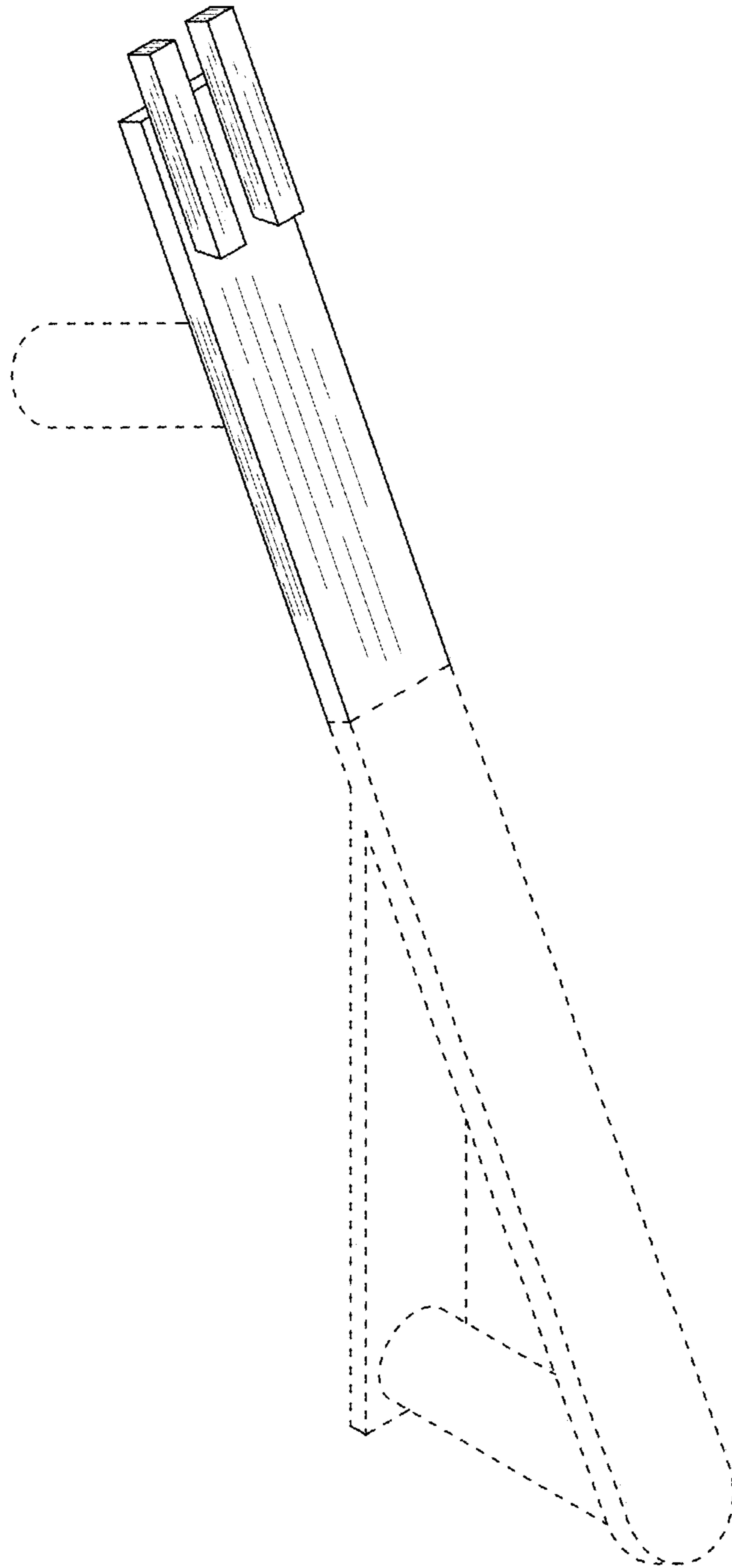


FIG. 7