



US00D941651S

(12) **United States Design Patent**  
**Masalin et al.**

(10) **Patent No.:** **US D941,651 S**  
(45) **Date of Patent:** **\*\* Jan. 25, 2022**

- (54) **AXE**
- (71) Applicant: **Fiskars Finland Oy Ab**, Helsinki (FI)
- (72) Inventors: **Petteri Masalin**, Helsinki (FI); **Mikko Kemppi**, Helsinki (FI); **Sami Lyytikäinen**, Helsinki (FI); **Juha Huhtala**, Helsinki (FI)
- (73) Assignee: **FISKARS FINLAND OY AB**, Helsinki (FI)
- (\*\*) Term: **15 Years**
- (21) Appl. No.: **29/738,370**
- (22) Filed: **Jun. 17, 2020**

**Related U.S. Application Data**

- (62) Division of application No. 29/682,560, filed on Mar. 6, 2019, now Pat. No. Des. 909,845.

(30) **Foreign Application Priority Data**

Sep. 6, 2018 (EM) ..... 005631173

- (51) **LOC (13) Cl.** ..... **08-02**

- (52) **U.S. Cl.**  
USPC ..... **D8/76; D8/80**

- (58) **Field of Classification Search**  
USPC ..... D8/75, 76, 77, 78, 79, 80, 81, 107  
CPC . B26B 23/00; B25F 1/00; B25F 1/006; A01B 1/20; A62B 3/005; B24D 1/00; B25G 1/04; B25G 3/28  
See application file for complete search history.

(56) **References Cited**

**U.S. PATENT DOCUMENTS**

- 5,141,353 A \* 8/1992 Meredith, Jr. .... B25G 1/10 294/57
- D354,212 S \* 1/1995 Ronnholm ..... D8/76

- D356,480 S \* 3/1995 Ronnholm ..... D8/76
- D362,795 S \* 10/1995 Ronnholm ..... D8/76
- D402,874 S \* 12/1998 Hall ..... D8/76
- D519,813 S \* 5/2006 Hung ..... D8/76
- D583,641 S \* 12/2008 Fortier ..... D8/76
- D594,727 S \* 6/2009 Fortier ..... D8/76
- D622,122 S \* 8/2010 Branby ..... D8/76
- D648,610 S \* 11/2011 Paloheimo ..... D8/78
- D760,054 S \* 6/2016 Huttunen ..... D8/76
- D784,784 S \* 4/2017 Huttunen ..... D8/80
- D808,759 S \* 1/2018 Nelson ..... D8/76
- D818,337 S \* 5/2018 Nelson ..... D8/76
- D854,903 S \* 7/2019 Nelson ..... D8/76

\* cited by examiner

*Primary Examiner* — Philip S Hyder

(74) *Attorney, Agent, or Firm* — Leason Ellis LLP

(57) **CLAIM**

The ornamental design for an axe, as shown and described.

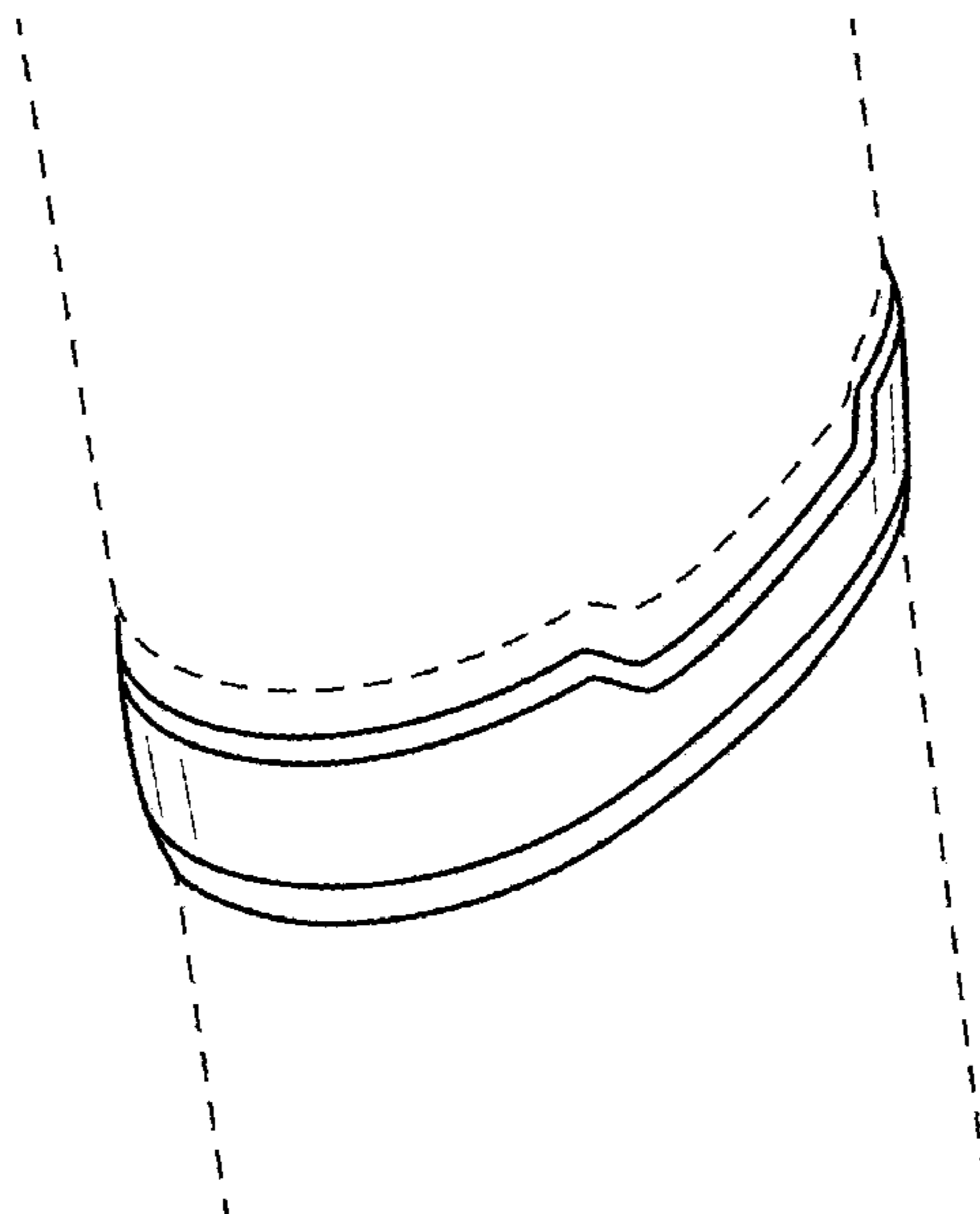
**DESCRIPTION**

FIG. 1 is a perspective view of an axe according to our new design;  
 FIG. 2 is a front view thereof;  
 FIG. 3 is a rear view thereof;  
 FIG. 4 is a left side view thereof;  
 FIG. 5 is a right view thereof;  
 FIG. 6 is a top plan view thereof;  
 FIG. 7 is a bottom plan view thereof; and,  
 FIG. 8 is an enlarged perspective view of a portion of the axe of FIG. 1.

Conventional shading and shadows are illustrated for purposes of highlighting the solid-rendering and line drawings, but form no part of the claimed design.

The broken lines of FIGS. 1-8 are for illustrative purposes only and form no part of the claimed design.

**1 Claim, 8 Drawing Sheets**



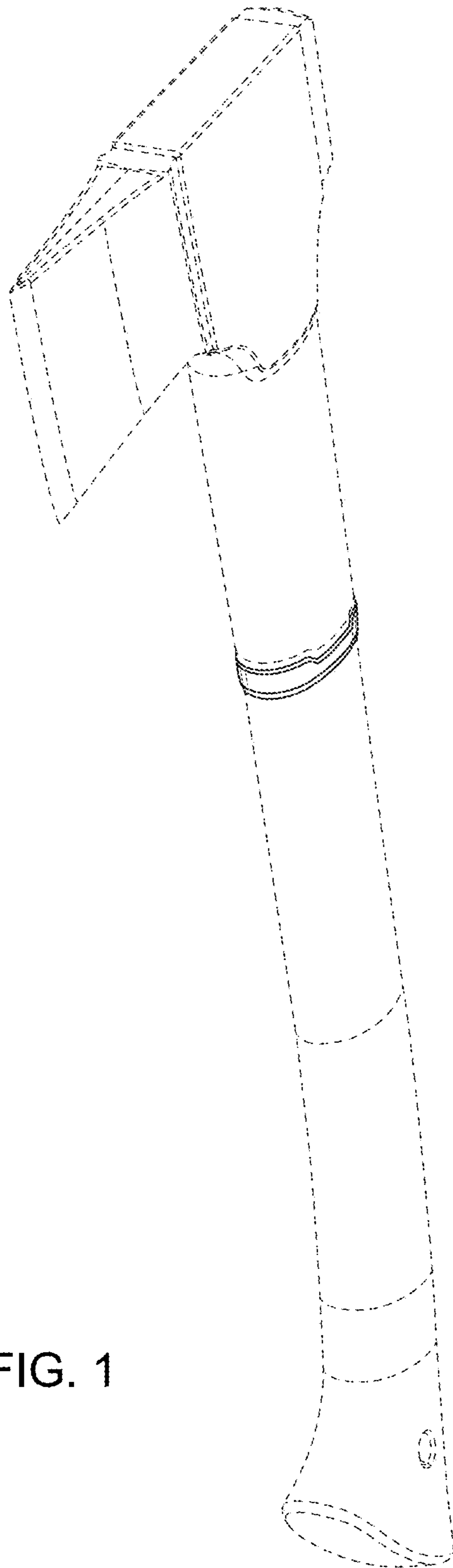


FIG. 1

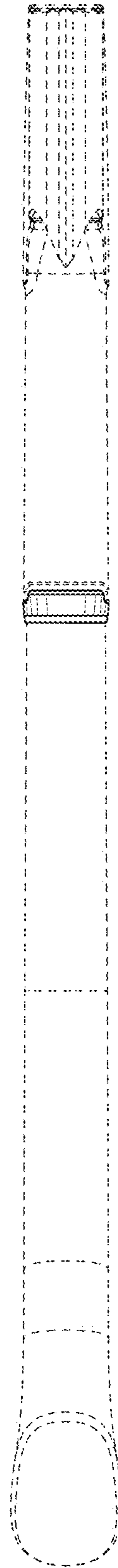


FIG. 2

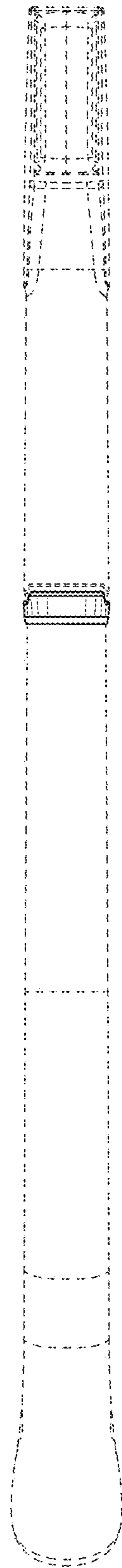


FIG. 3

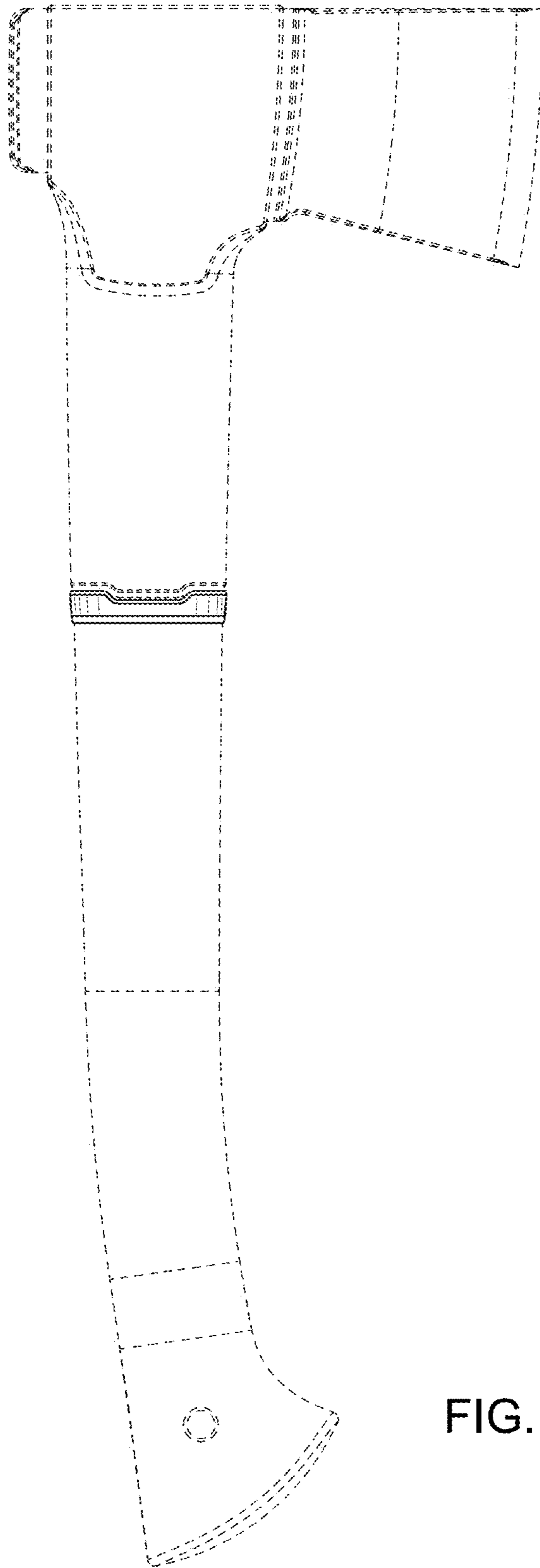


FIG. 4

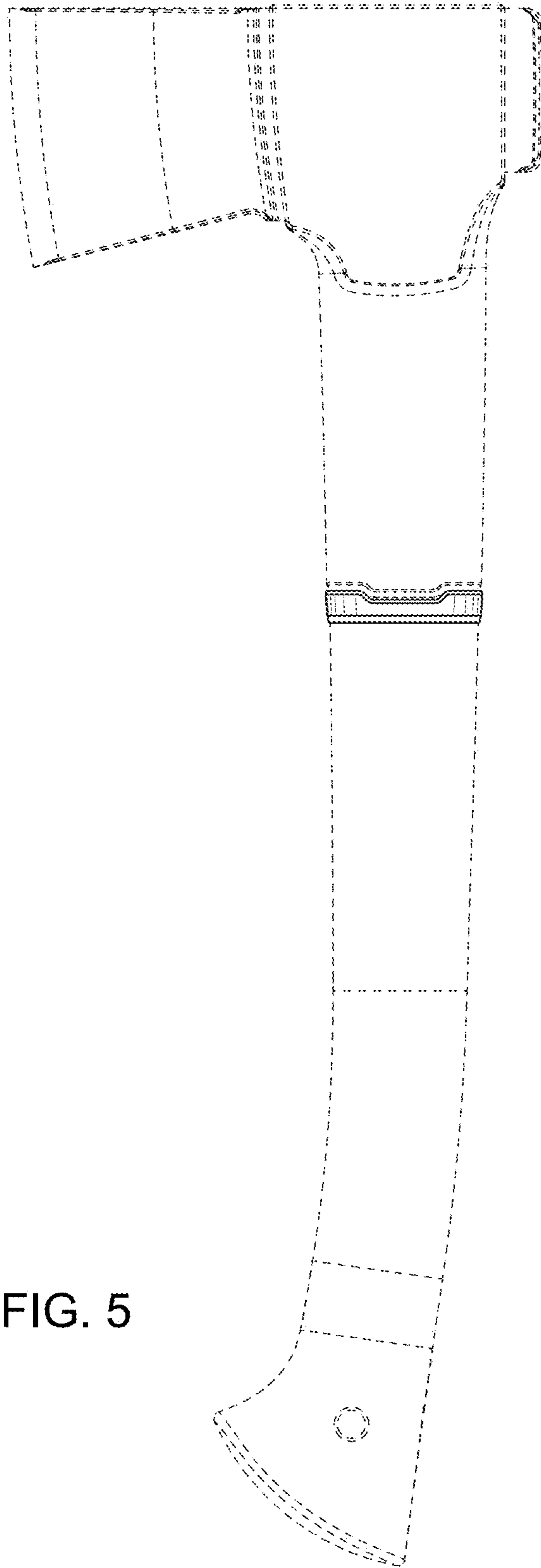


FIG. 5



FIG. 6

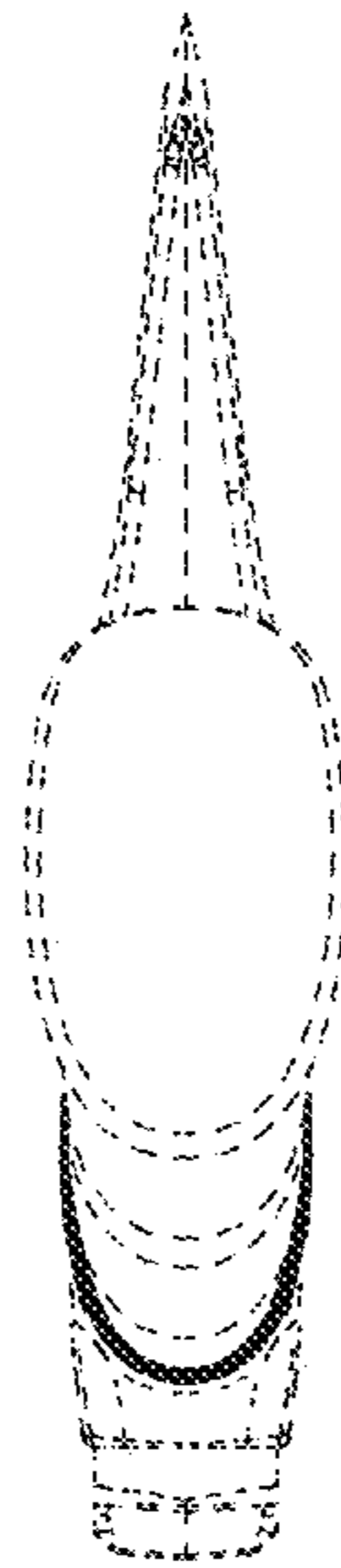


FIG. 7



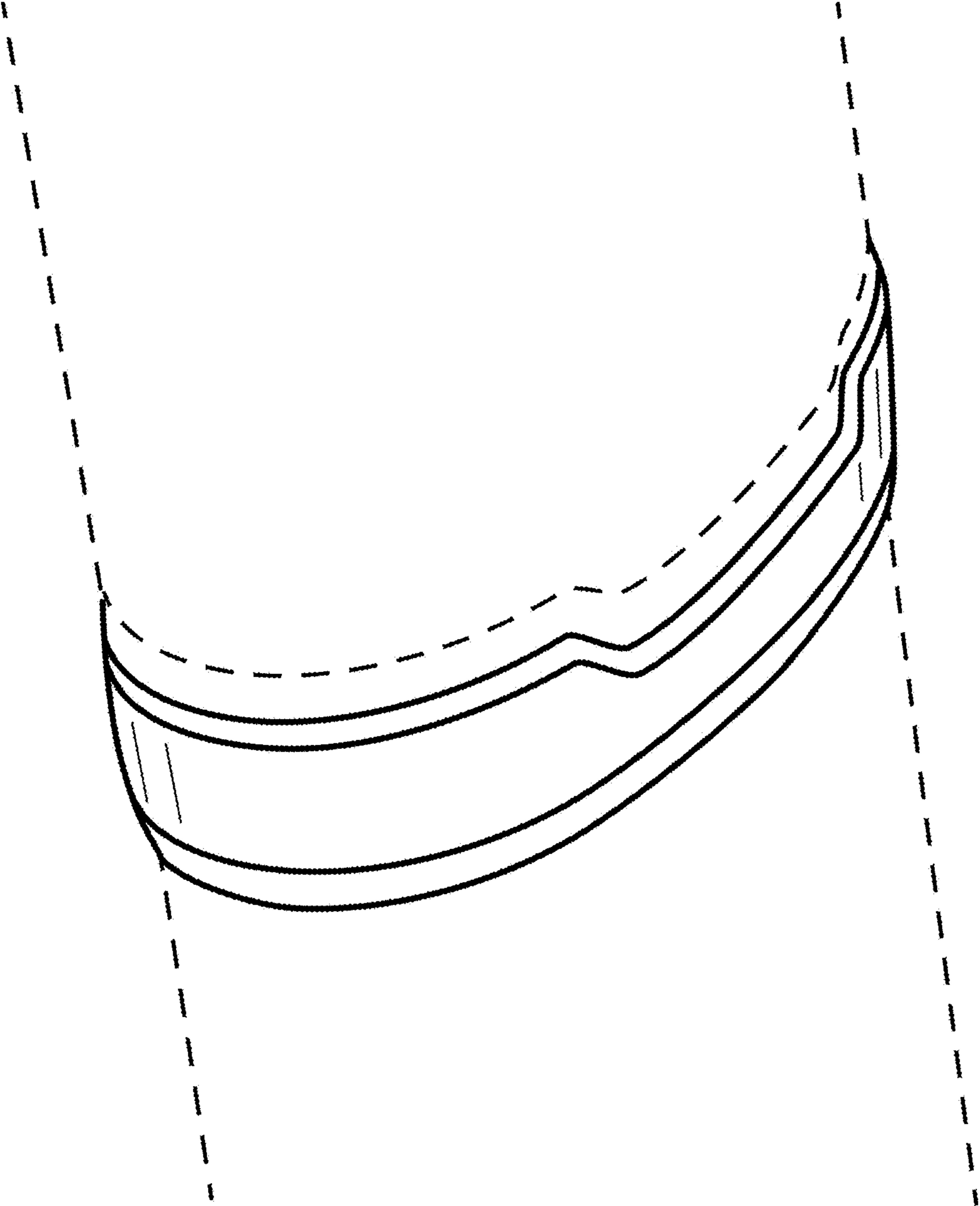


FIG. 8