



US00D941650S

(12) **United States Design Patent**
Yang et al.

(10) **Patent No.:** **US D941,650 S**

(45) **Date of Patent:** **** Jan. 25, 2022**

(54) **LITHIUM-ION BATTERY HAMMER DRILL**

(71) Applicant: **Zhejiang Prulde Electric Appliance Co., Ltd., Zhejiang (CN)**

(72) Inventors: **Weiming Yang, Zhejiang (CN); Ting Han, Zhejiang (CN)**

(73) Assignee: **Zhejiang Prulde Electric Appliance Co., Ltd., Zhejiang (CN)**

D687,279	S *	8/2013	Kuhnle	D8/69
D765,485	S *	9/2016	Holst	D8/68
9,950,419	B2 *	4/2018	Rompel	B25F 5/02
D830,803	S *	10/2018	Sell	D8/67
D830,804	S *	10/2018	Sell	D8/67
D830,805	S *	10/2018	Sell	D8/67
D838,157	S *	1/2019	Suzuki	D8/69
D855,430	S *	8/2019	Koeniger	D8/69
10,751,867	B2 *	8/2020	Iida	B25D 16/006
D896,604	S *	9/2020	Hasenmayer	D8/69

(Continued)

(**) Term: **15 Years**

(21) Appl. No.: **29/729,345**

(22) Filed: **Mar. 26, 2020**

(30) **Foreign Application Priority Data**

Sep. 27, 2019 (CN) 201930532778.0

(51) **LOC (13) Cl.** **08-05**

(52) **U.S. Cl.**
USPC **D8/69**

(58) **Field of Classification Search**
USPC D8/14.1, 61-70
CPC B25D 16/00; B25D 17/02; B25D 11/125
See application file for complete search history.

(56) **References Cited**

U.S. PATENT DOCUMENTS

D447,032	S *	8/2001	Schoen	D8/67
D491,438	S *	6/2004	Cheung	D8/68
6,766,868	B2 *	7/2004	Frauhammer	B25D 16/006
				173/162.2	
D502,377	S *	3/2005	Aglassinger	D8/69
D503,079	S *	3/2005	Aglassinger	D8/69
D515,383	S *	2/2006	Aglassinger	D8/69
D534,407	S *	1/2007	Waldron	D8/69
D594,304	S *	6/2009	Aglassinger	D8/67
D615,838	S *	5/2010	Aglassinger	D8/69
D618,529	S *	6/2010	Stirm	D8/69
8,430,181	B2 *	4/2013	Stirm	B25D 16/003
				173/48	

OTHER PUBLICATIONS

Alice Musyoka. "Best Rotary Hammers: Drill and Chisel More Efficiently." The Drive., Nov. 21, 2019 [online], [retrieved on Oct. 3, 2021]. Retrieved from the Internet <URL: <https://www.thedrive.com/reviews/31029/best-rotary-hammer-drill>>.*

(Continued)

Primary Examiner — Darlington Ly

(74) *Attorney, Agent, or Firm* — JCIP Global Inc.

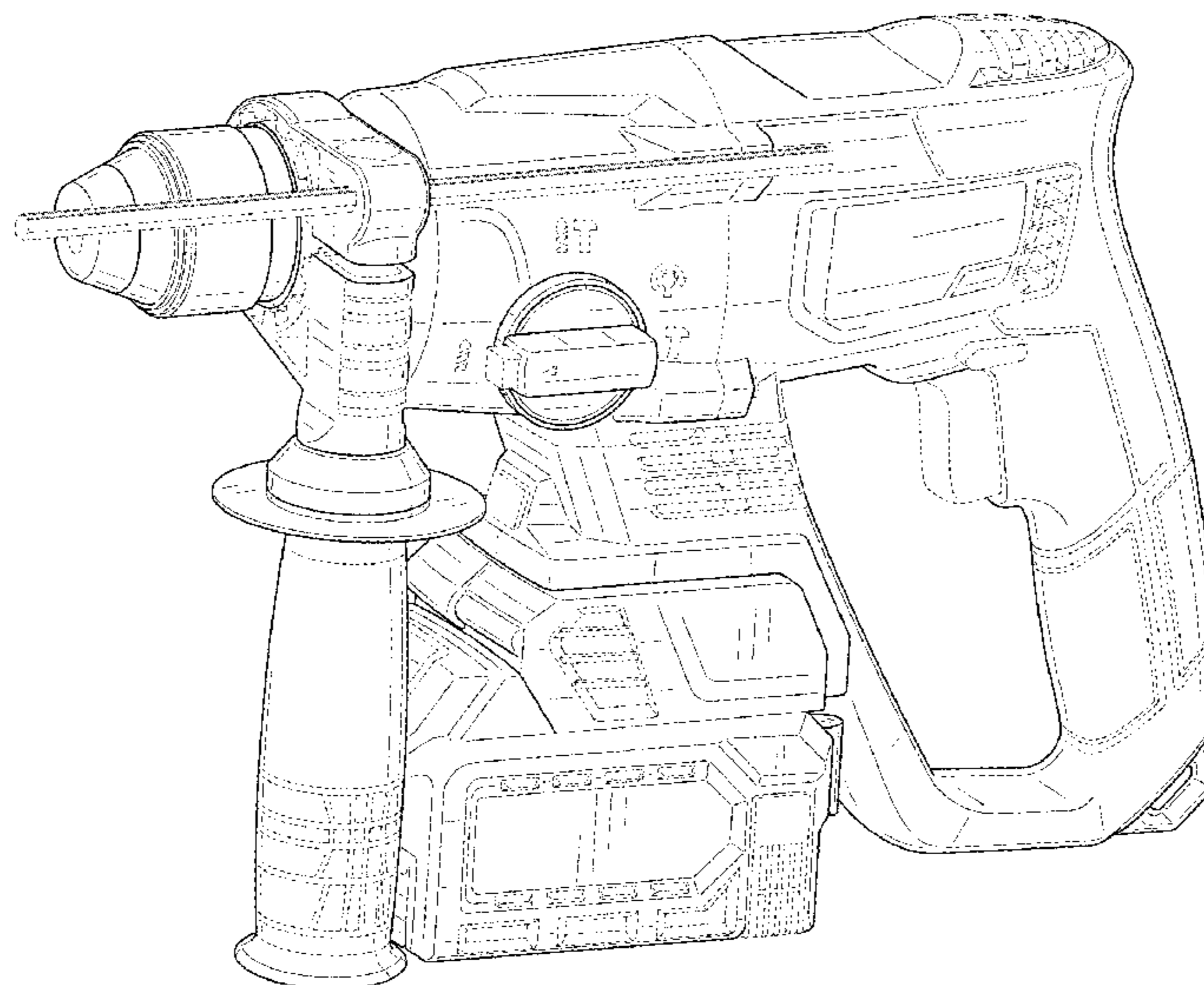
(57) **CLAIM**

The ornamental design for a lithium-ion battery hammer drill, as shown and described.

DESCRIPTION

FIG. 1 is a perspective view of a lithium-ion battery hammer drill embodying our new design; FIG. 2 is front elevation view thereof; FIG. 3 is a rear elevation view thereof; FIG. 4 is a left side elevation view thereof; FIG. 5 is a right side elevation view thereof; FIG. 6 is a top plan view thereof; and, FIG. 7 is a bottom plan view thereof. The broken lines in the drawings represent the portions of the lithium-ion battery hammer drill that form no part of the claimed design.

1 Claim, 7 Drawing Sheets



(56)

References Cited

U.S. PATENT DOCUMENTS

D897,178 S * 9/2020 Hasenmayer D8/69
11,040,438 B2 * 6/2021 Gottschling B25D 9/26
11,052,525 B2 * 7/2021 Furusawa B25D 16/006

OTHER PUBLICATIONS

Pete Ortiz. "7 Best Hammer Drills of 2021—Top Picks & Reviews." House Grail., Aug. 18, 2021 [online], [retrieved on Oct. 3, 2021]. Retrieved from the Internet <URL: <https://housegrail.com/best-hammer-drill/>>.*

Juan Rodriguez. "The 6 Best Hammer Drills for Home Projects." House Grail., Nov. 20, 2019 [online], [retrieved on Oct. 3, 2021]. Retrieved from the Internet <URL: <https://www.thebalancesmb.com/review-of-some-of-the-best-hammer-drills-844525>>.*

"Sencan 2020 Catalogue." Sencan., Jan. 16, 2020 [online], [retrieved on Oct. 3, 2021]. Retrieved from the Internet <URL: <https://sencantools.com/uploads/20200609/SENCAN%20catalogue%202020.pdf>>.*

* cited by examiner

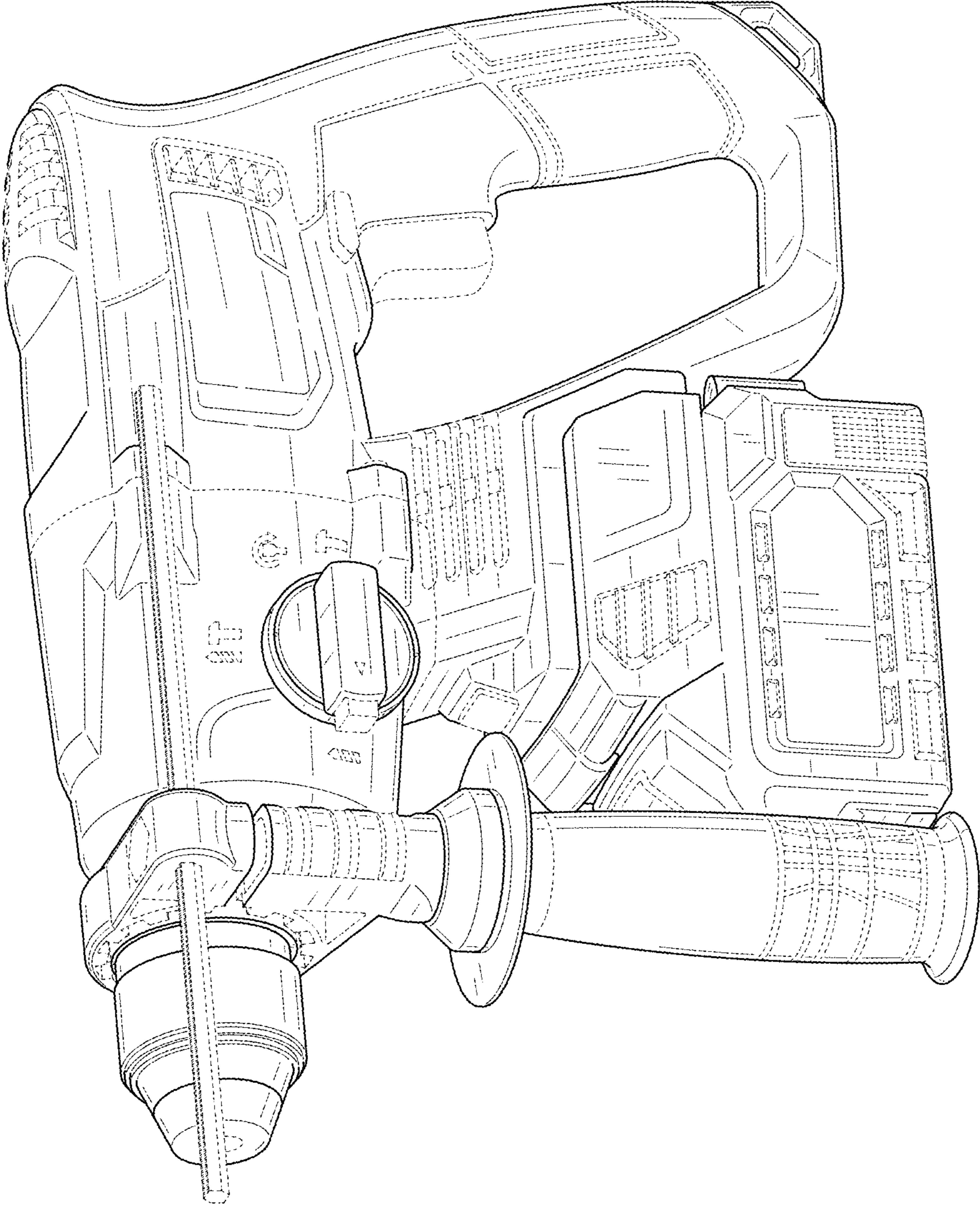


FIG. 1

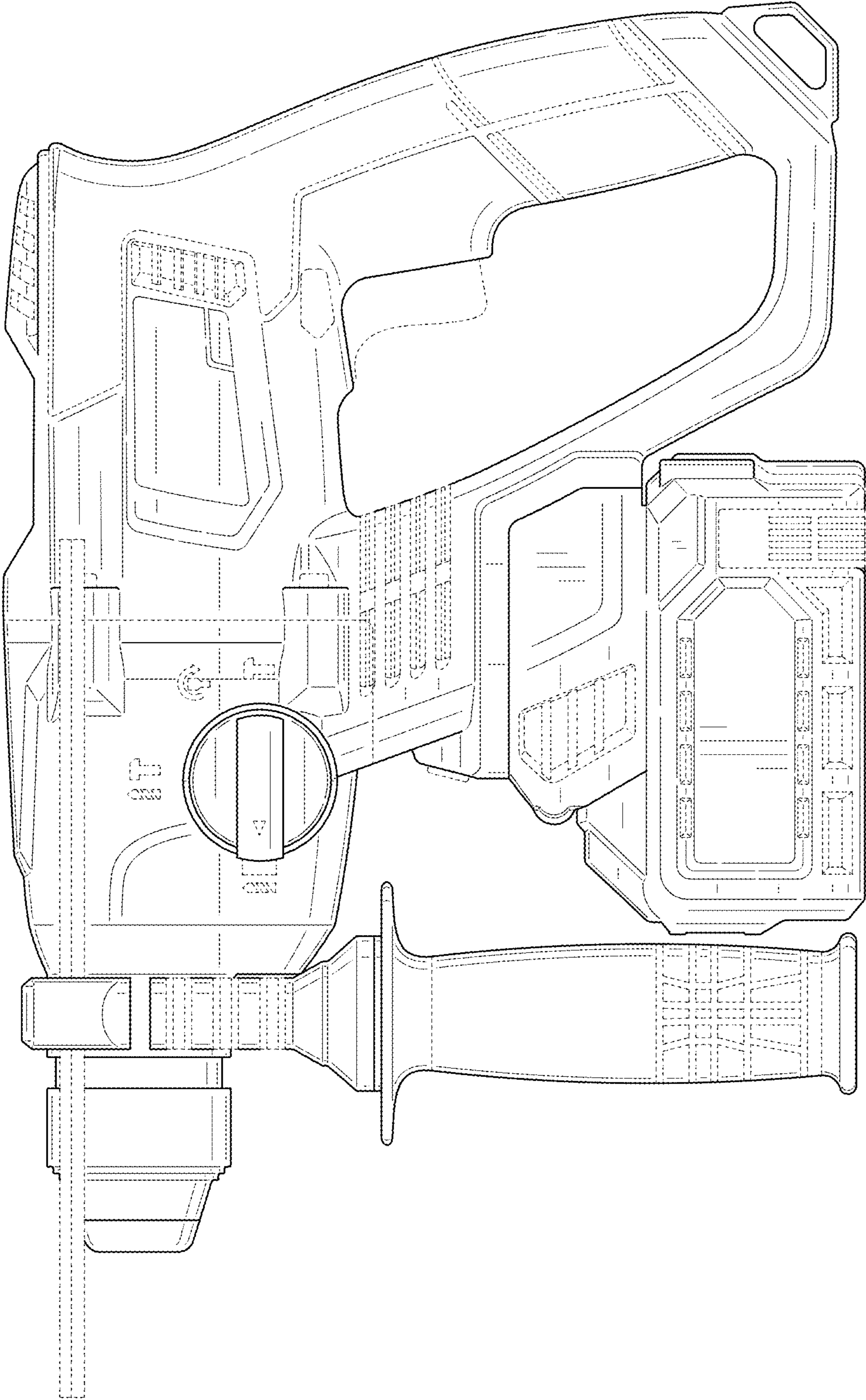


FIG. 2

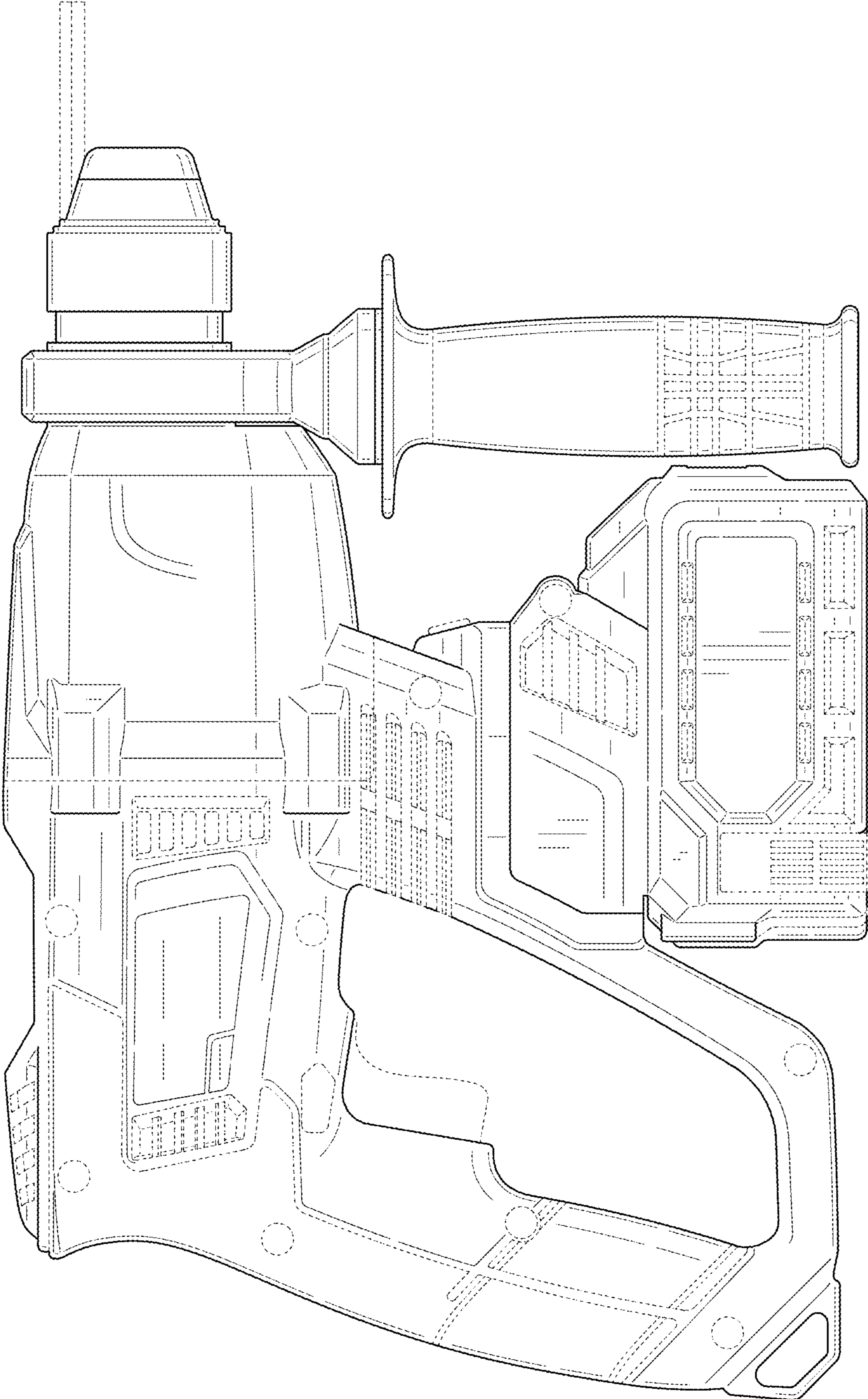


FIG. 3

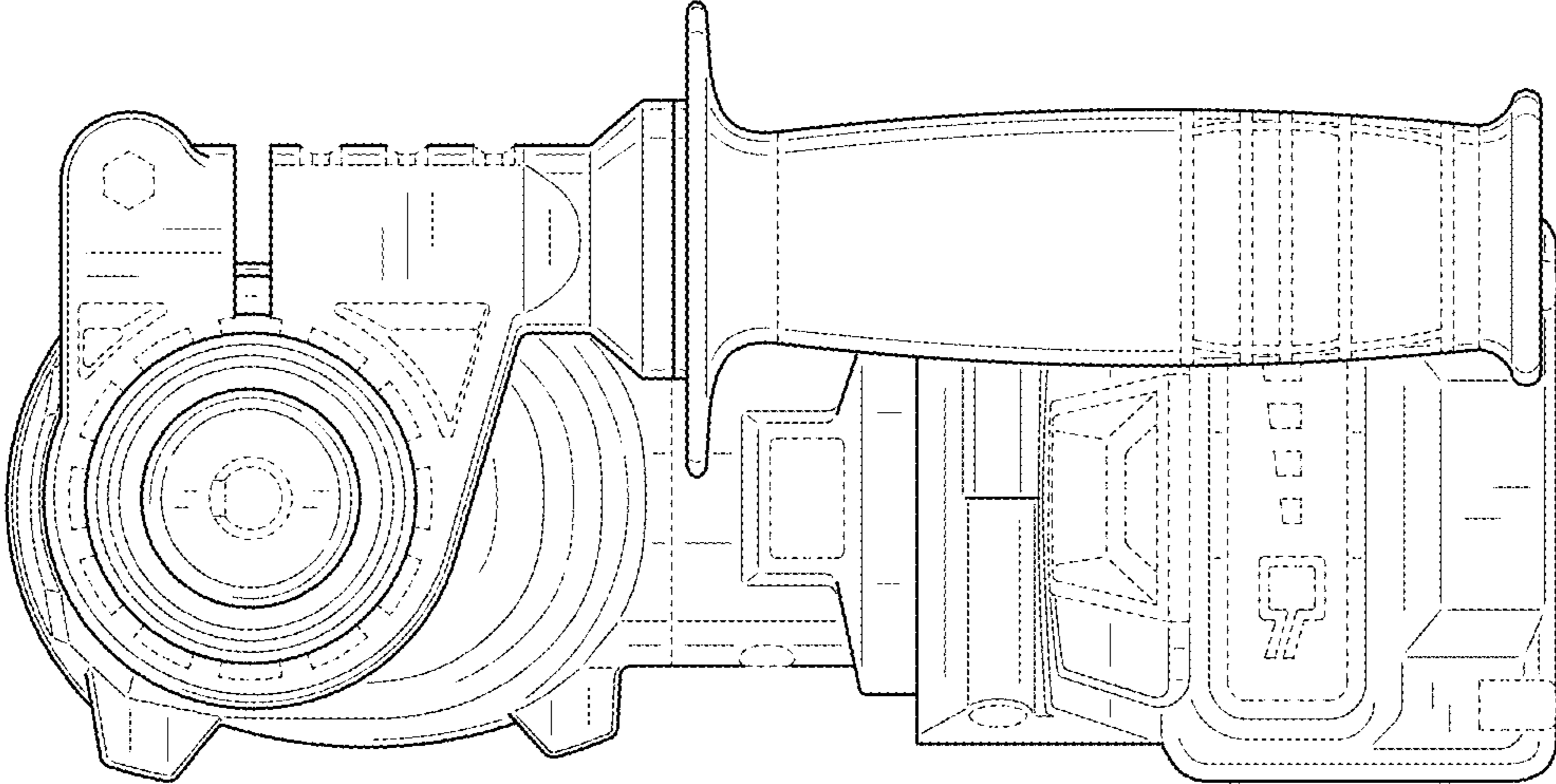


FIG. 4

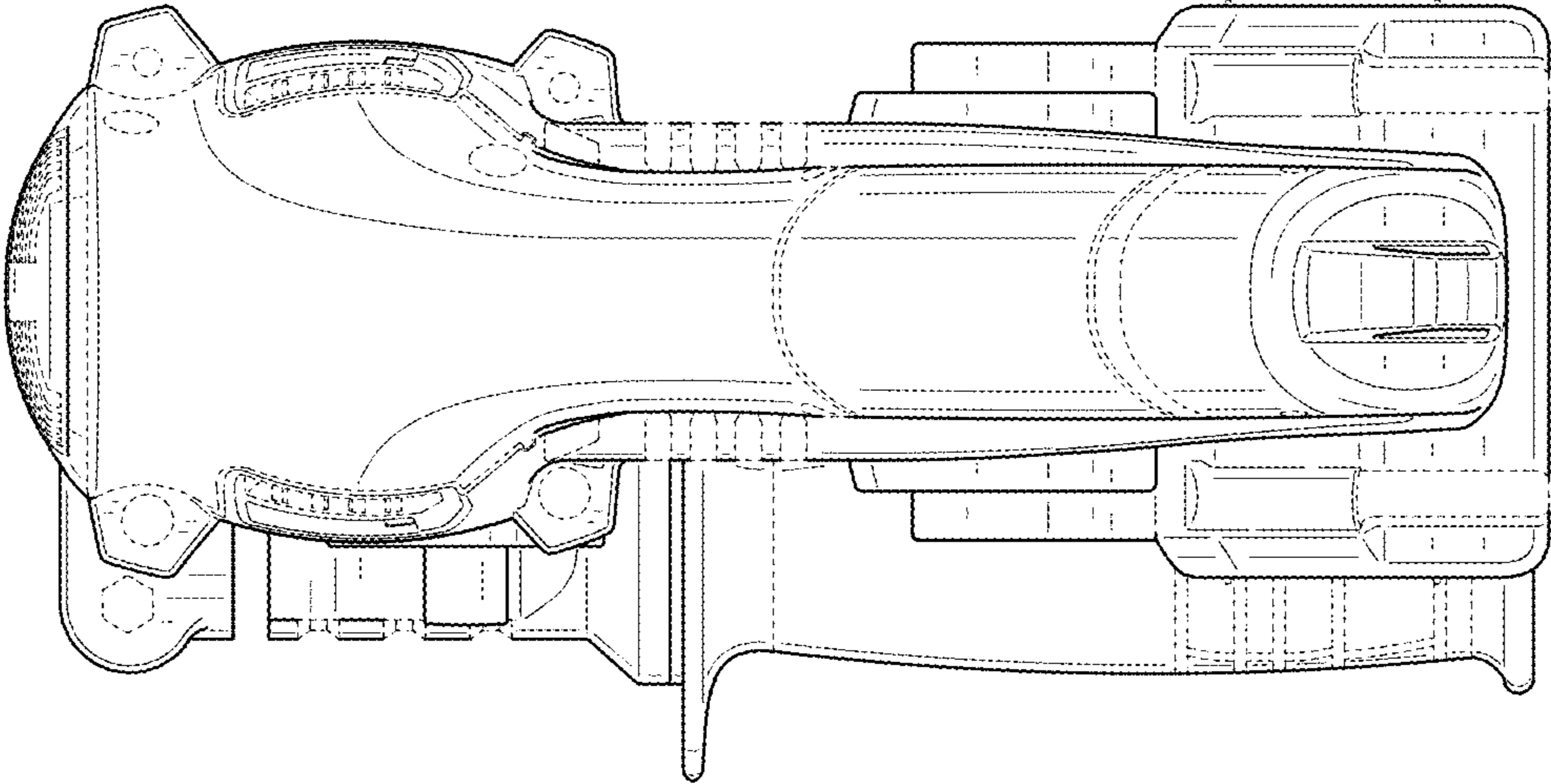


FIG. 5

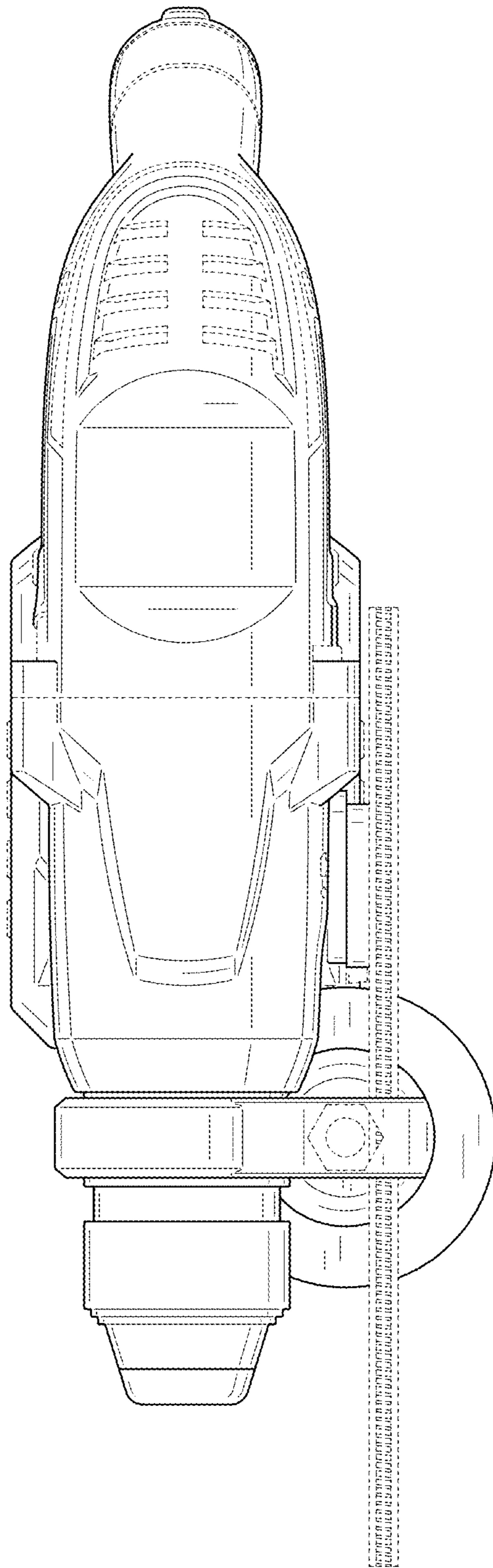


FIG. 6

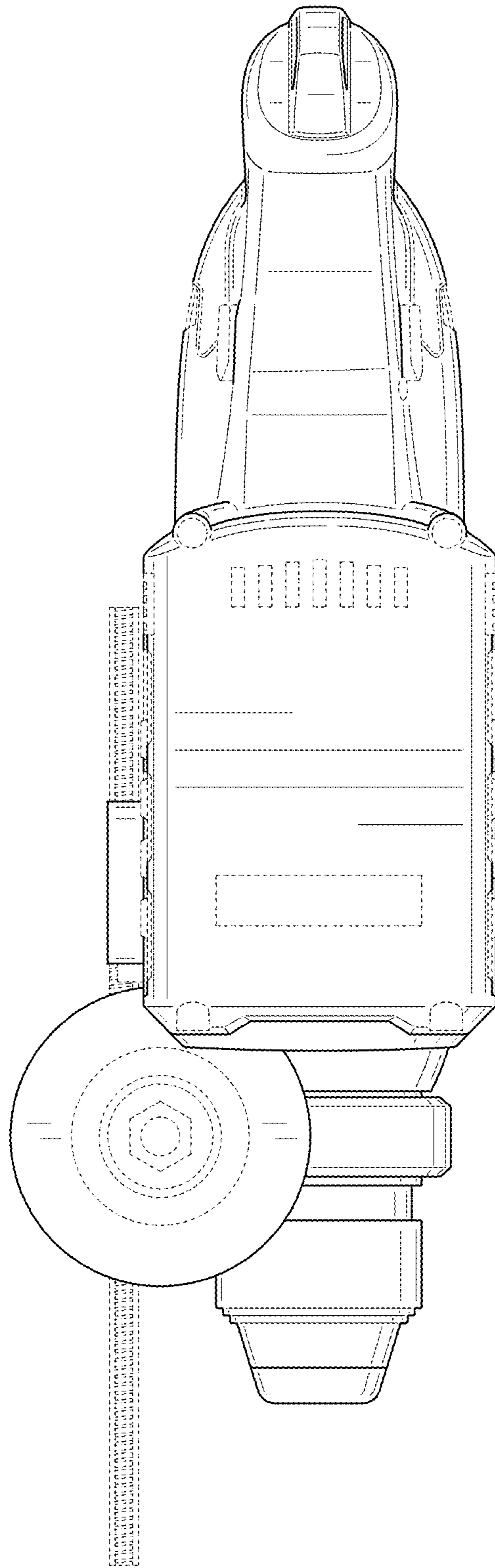


FIG. 7